



US00D565788S

(12) **United States Design Patent**
Miyatake

(10) **Patent No.:** **US D565,788 S**

(45) **Date of Patent:** **** Apr. 1, 2008**

(54) **WARNING LAMP**

(75) Inventor: **Tetsuya Miyatake, Yao (JP)**

(73) Assignee: **Patlite Corporation, Osaka (JP)**

(**) Term: **14 Years**

(21) Appl. No.: **29/228,827**

(22) Filed: **Apr. 27, 2005**

(30) **Foreign Application Priority Data**

Nov. 1, 2004 (JP) 2004-033352

(51) **LOC (8) Cl.** **26-99**

(52) **U.S. Cl.** **D26/155**

(58) **Field of Classification Search** D26/76,
D26/78, 85, 113, 63, 87, 82, 3, 28, 72, 75,
D26/79, 152, 153, 142, 141, 81, 71, 118,
D26/128, 155, 138, 120, 140; 439/11; 362/320,
362/542, 147, 217, 257, 260, 317, 362, 374,
362/382, 404, 457

See application file for complete search history.

(56) **References Cited**

U.S. PATENT DOCUMENTS

D195,875 S *	8/1963	Saporiti et al.	D26/87
D206,019 S *	10/1966	Walz	D26/87
D207,178 S *	3/1967	Atkin et al.	D26/87
D209,081 S *	10/1967	Netland	D26/71
D211,489 S *	6/1968	Bernadotte	D26/87
D220,778 S *	5/1971	Jablonski et al.	D26/71
D221,183 S *	7/1971	Bobrick	D26/71
4,472,768 A *	9/1984	Quiogue	362/370
D285,911 S *	9/1986	Yuen	D10/114

4,726,152 A *	2/1988	Vagedes et al.	52/28
D308,116 S *	5/1990	Vandergriff	D26/149
D347,288 S *	5/1994	Ham	D26/26
D358,902 S *	5/1995	Webster, III	D26/87
D408,938 S *	4/1999	Miyatake	D26/87
D435,307 S *	12/2000	Sandell	D26/67

* cited by examiner

Primary Examiner—Freda S. Nunn

Assistant Examiner—Kevin K Rudzinski

(74) *Attorney, Agent, or Firm*—William L. Androlia; H. Henry Koda

(57) **CLAIM**

The ornamental design for a warning lamp, as shown and described.

DESCRIPTION

FIG. 1 is a front elevational view of the warning lamp showing my new design;

FIG. 2 is a rear elevational view thereof;

FIG. 3 is a top plan view thereof;

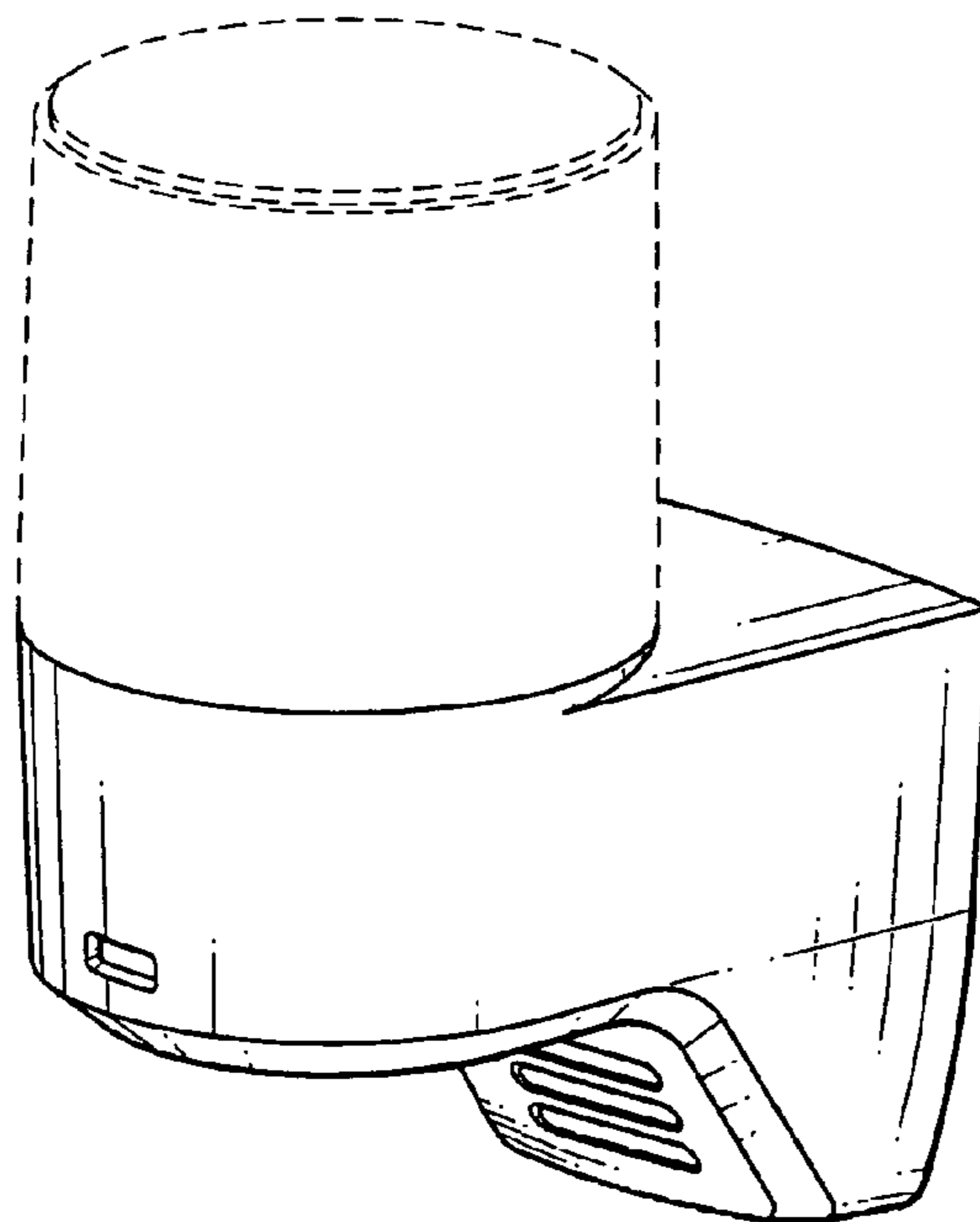
FIG. 4 is a bottom plan view thereof;

FIG. 5 is a right side elevational view thereof; the left side elevational view being a mirror image of the right side elevational view; and,

FIG. 6 is a perspective view taken from the top, front and right side of the warning lamp.

The portion of the article depicted in broken lines is for illustrative purposes only and forms no part of the claimed design

1 Claim, 3 Drawing Sheets



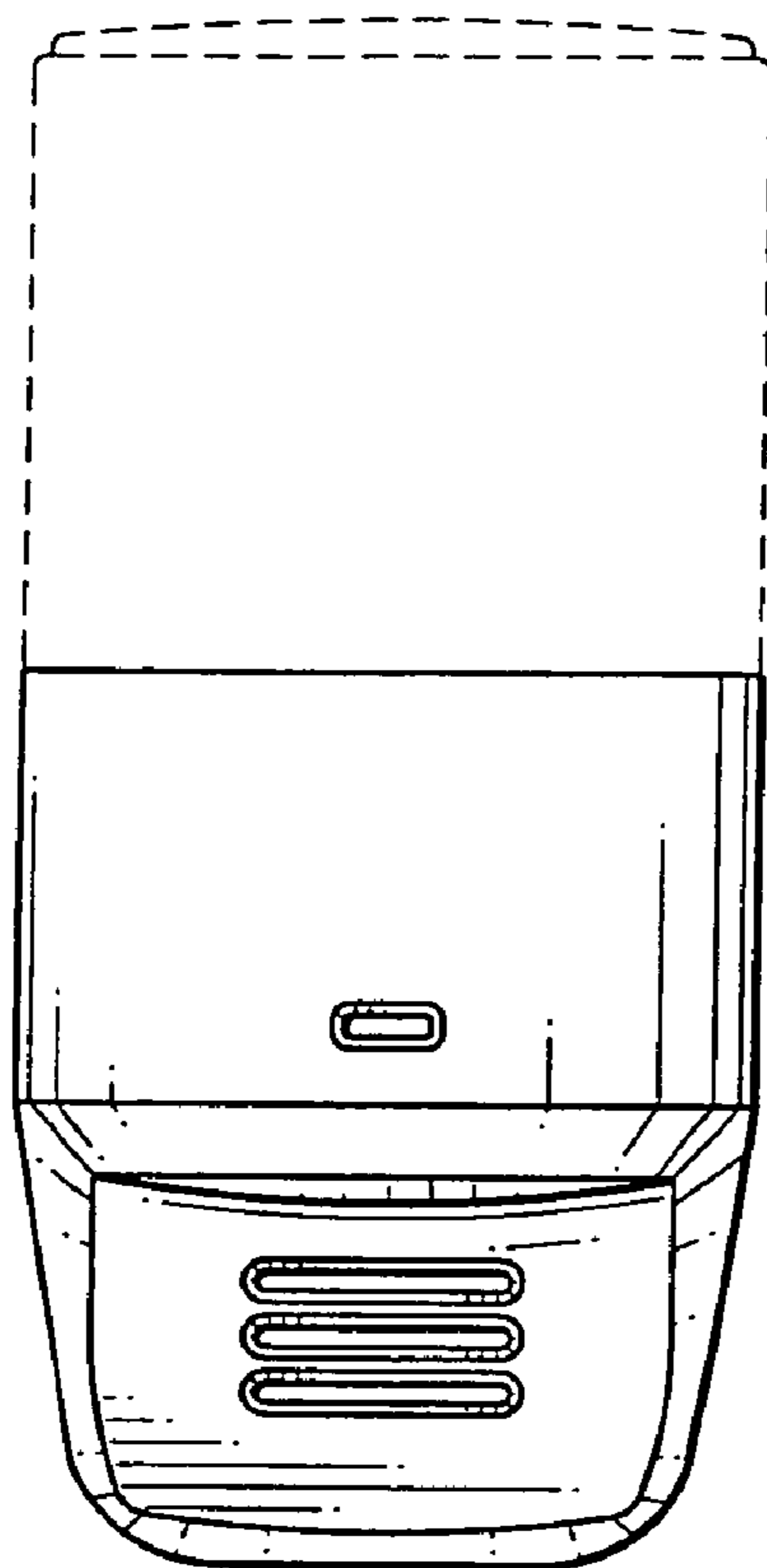


FIG. 1

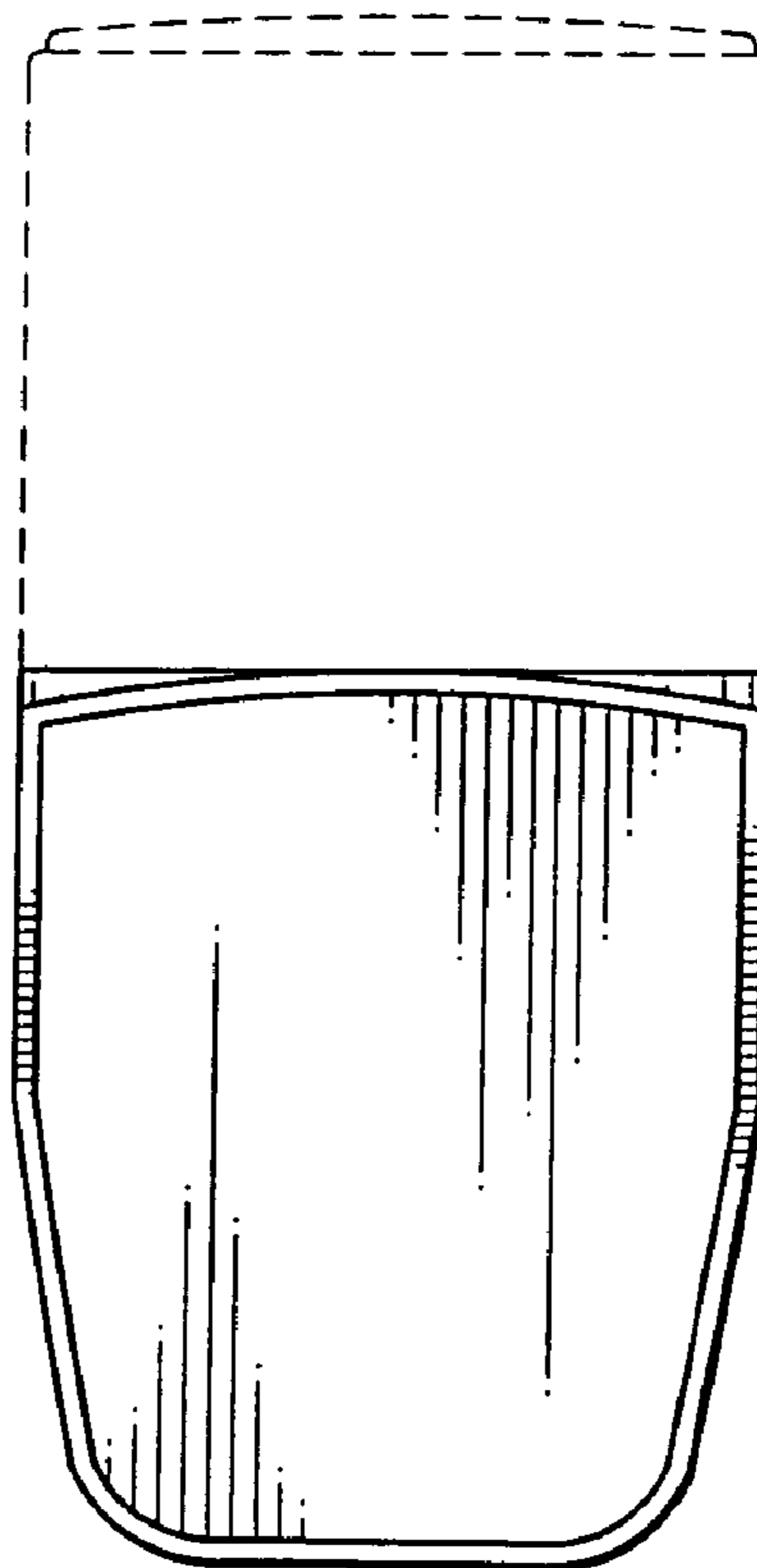


FIG. 2

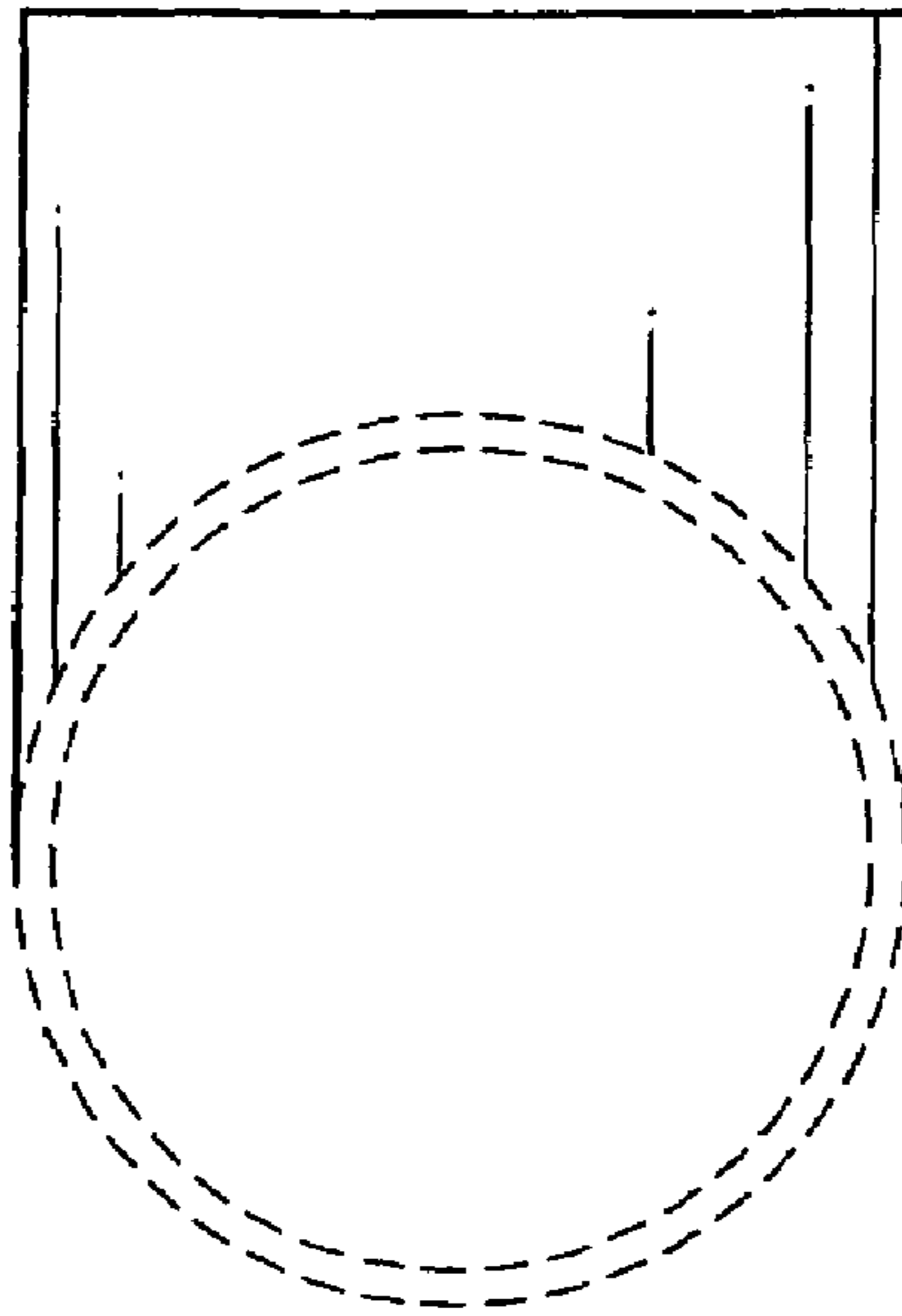


FIG. 3

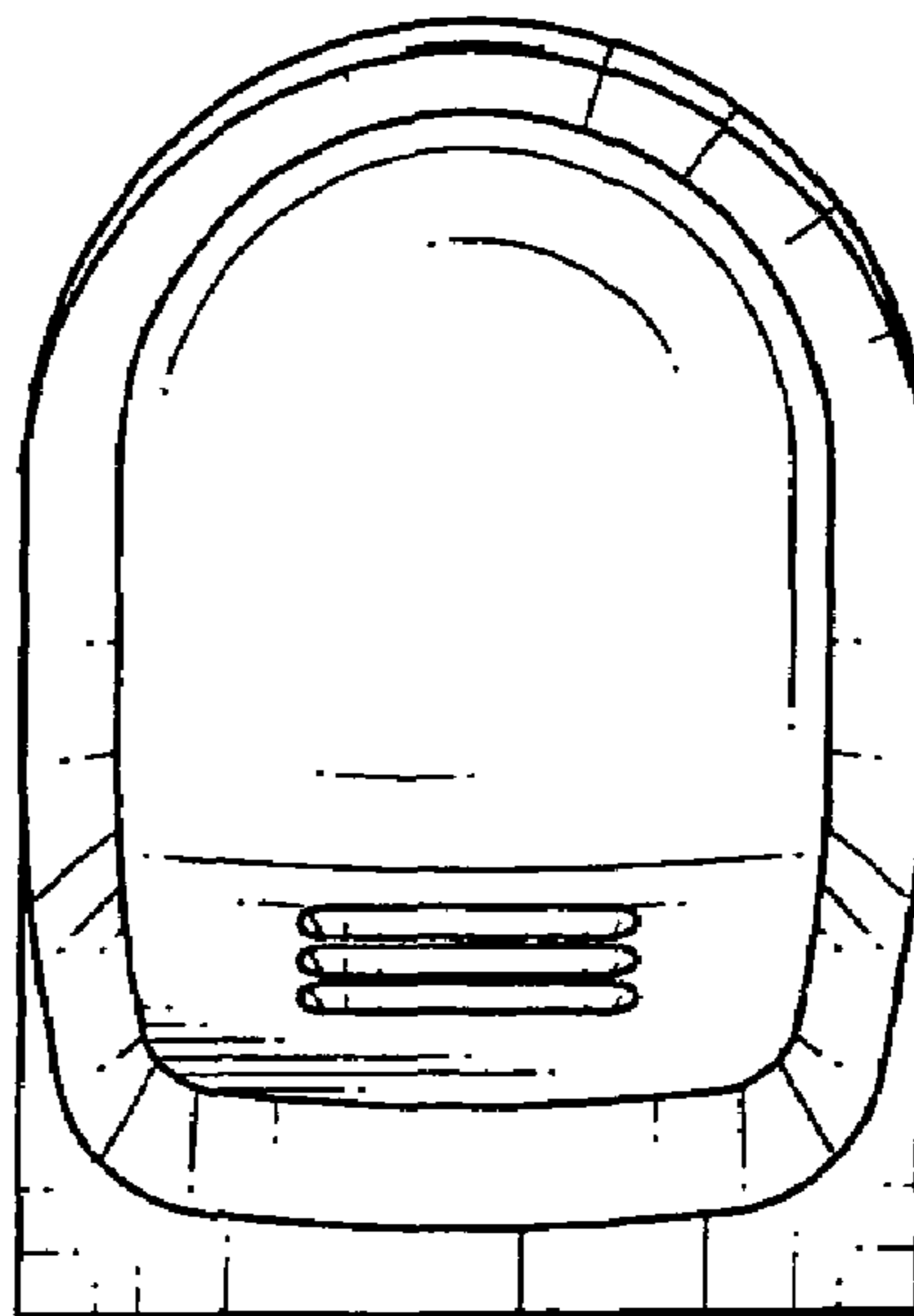


FIG. 4

FIG. 5

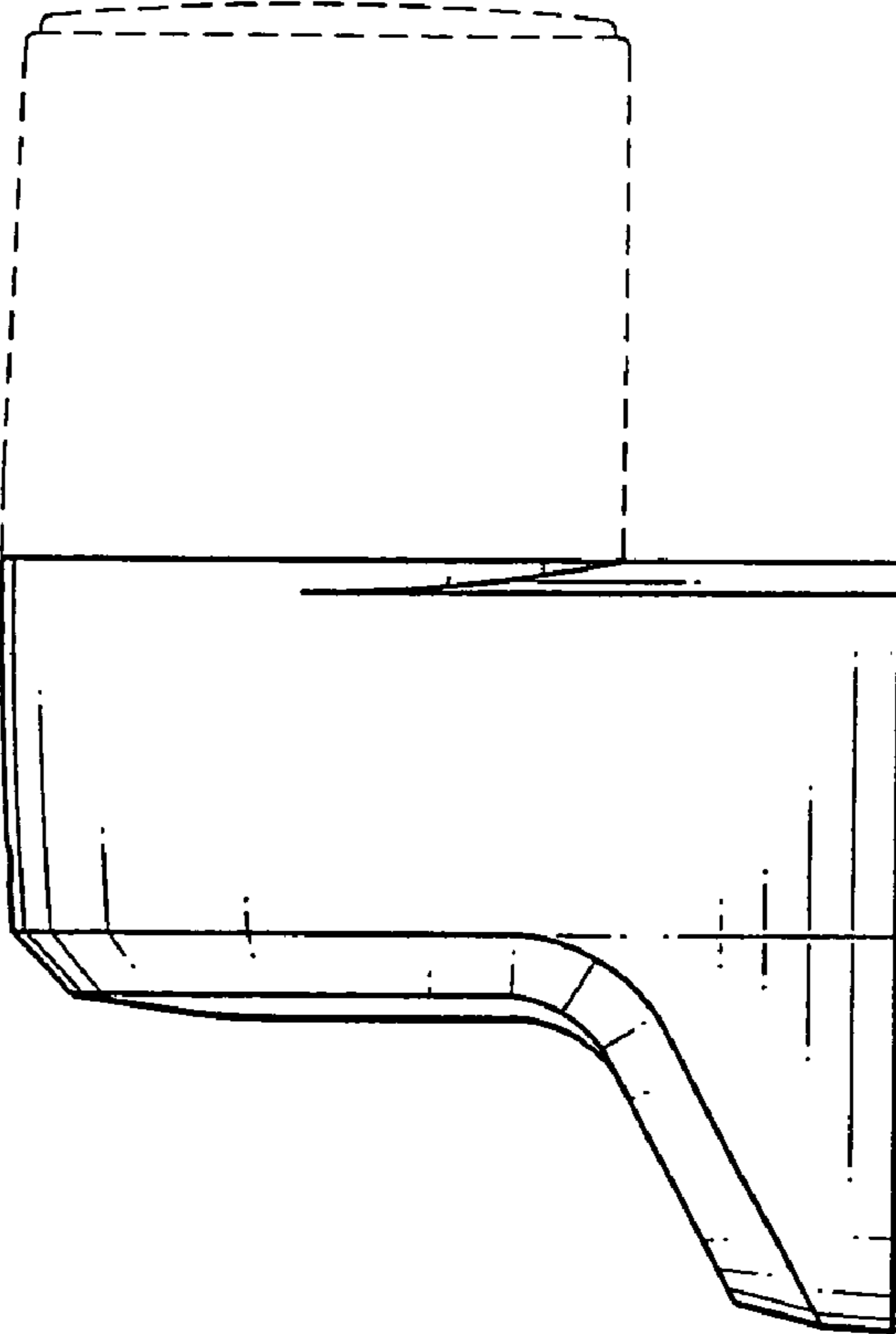


FIG. 6

