



US00D565786S

(12) **United States Design Patent**  
**Willmorth et al.**

(10) **Patent No.:** **US D565,786 S**

(45) **Date of Patent:** **\*\* Apr. 1, 2008**

(54) **LIGHTING FIXTURE**

(75) Inventors: **Kevin L. Willmorth**, Germantown, WI (US); **Gregory S. Reiff**, West Bend, WI (US); **David A. Briscoe**, Germantown, WI (US)

(73) Assignee: **Oldenburg Group Incorporated**, Glendale, WI (US)

(\*\*) Term: **14 Years**

(21) Appl. No.: **29/237,542**

(22) Filed: **Sep. 1, 2005**

(51) **LOC (8) Cl.** ..... **26-99**

(52) **U.S. Cl.** ..... **D26/138**

(58) **Field of Classification Search** ..... D26/139,  
D26/142, 152, 77, 76, 37, 123, 128, 120,  
D26/118, 113, 138, 3, 28, 72, 124, 121, 122,  
D26/75, 79, 90, 105; D13/180; 362/614,  
362/611, 612, 632, 555, 516, 147, 148, 216,  
362/217, 260, 291, 296, 297, 341, 346, 404,  
362/407, 431, 800

See application file for complete search history.

(56) **References Cited**

**U.S. PATENT DOCUMENTS**

D150,830 S *	9/1948	Duepner	.....	D26/77
3,483,366 A *	12/1969	Wince	.....	362/333
3,500,036 A *	3/1970	Szentveri	.....	362/152
3,517,853 A *	6/1970	Aikens	.....	220/324
3,700,887 A *	10/1972	Marx	.....	362/396
3,737,654 A *	6/1973	Hawley	.....	362/311
3,748,463 A *	7/1973	Trassinelli	.....	362/269

(Continued)

*Primary Examiner*—Freda S. Nunn

*Assistant Examiner*—Kevin K Rudzinski

(74) *Attorney, Agent, or Firm*—Reinhart Boerner Van Deuren s.c.

(57) **CLAIM**

The ornamental design for a lighting fixture, as shown and described.

**DESCRIPTION**

FIG. 1 is an isometric view of a first embodiment of the lighting fixture of the present invention shown from below and to the side;

FIG. 2 is a front side elevational view of the lighting fixture illustrated in FIG. 1;

FIG. 3 is a back side elevational view of the lighting fixture illustrated in FIGS. 1 and 2;

FIG. 4 is a left side elevational view of the lighting fixture illustrated in FIGS. 1–3, the right side being a mirror image thereof;

FIG. 5 is a bottom plan view of the lighting fixture illustrated in FIGS. 1–4;

FIG. 6 is a top plan view of the lighting fixture illustrated in FIGS. 1–5;

FIG. 7 is an isometric view of a second embodiment of the lighting fixture of the present invention shown from below and to the side;

FIG. 8 is a front side elevational view of the lighting fixture illustrated in FIG. 7;

FIG. 9 is a back side elevational view of the lighting fixture illustrated in FIGS. 7 and 8;

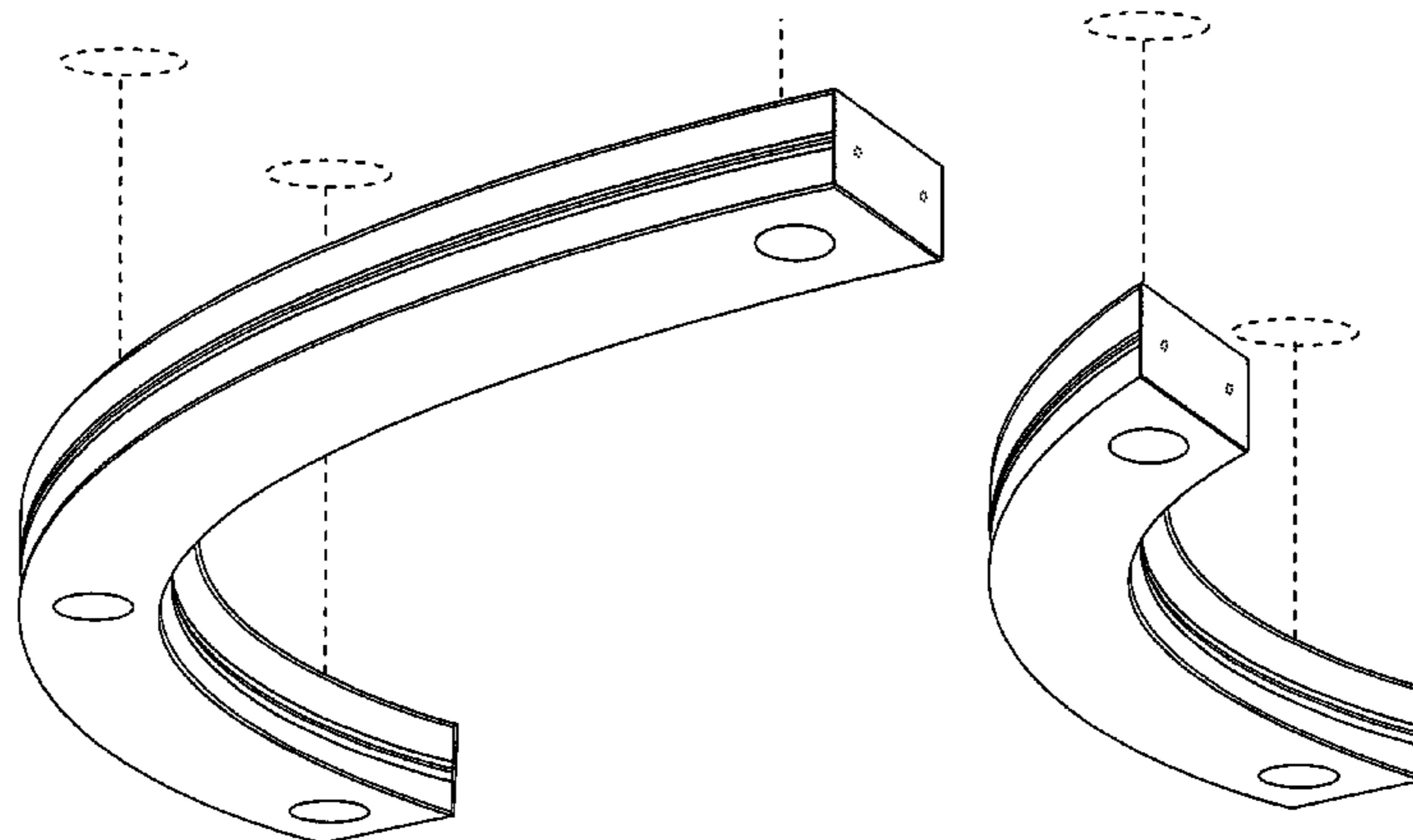
FIG. 10 is a left side elevational view of the lighting fixture illustrated in FIGS. 7–9, the right side being a mirror image thereof;

FIG. 11 is a bottom plan view of the lighting fixture illustrated in FIGS. 7–10; and,

FIG. 12 is a top plan view of the lighting fixture illustrated in FIGS. 7–11.

The broken line representations of mounting hanger structures in FIGS. 1–4 and 7–10, structural fasteners in FIGS. 1, 3, 4, 7, 9 and 10, and lighting components in FIGS. 6 and 12 are for the purpose of illustration only, and form no part of the claimed design.

**1 Claim, 9 Drawing Sheets**



# US D565,786 S

Page 2

---

## U.S. PATENT DOCUMENTS

D232,257 S *	7/1974	Paulson .....	D26/80	D374,736 S *	10/1996	DeWinter .....	D26/72
3,971,605 A *	7/1976	Sasnett .....	312/198	D397,818 S *	9/1998	Herst et al. ....	D26/76
D295,086 S *	4/1988	Morten .....	D26/76	5,848,837 A *	12/1998	Gustafson .....	362/235
4,758,935 A *	7/1988	Frassati et al. ....	362/147	D414,580 S *	9/1999	Herst .....	D26/76
D345,316 S *	3/1994	Green et al. ....	D10/114	6,193,394 B1 *	2/2001	Herst et al. ....	362/260
D359,374 S *	6/1995	Weinstock .....	D26/80	D499,976 S *	12/2004	Neufeglise et al. ....	D10/114

\* cited by examiner

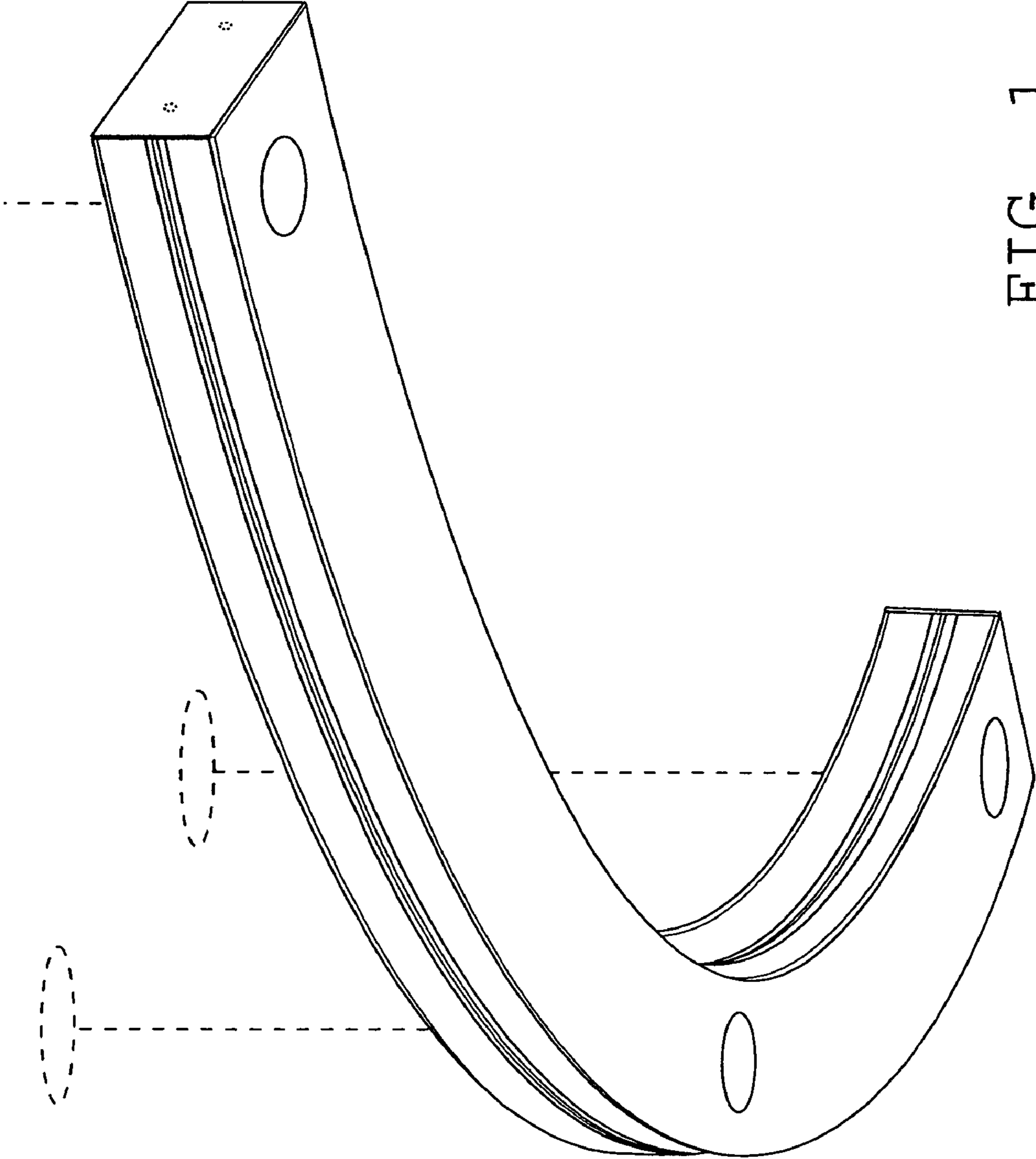


FIG. 1

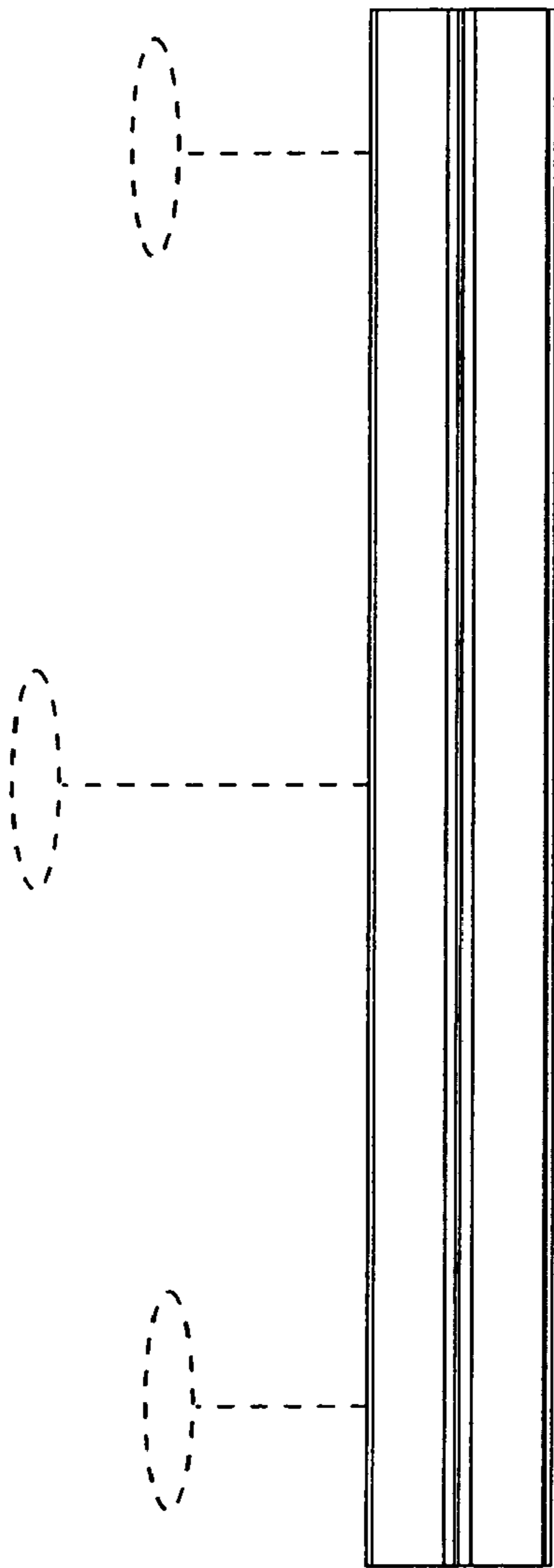


FIG. 2

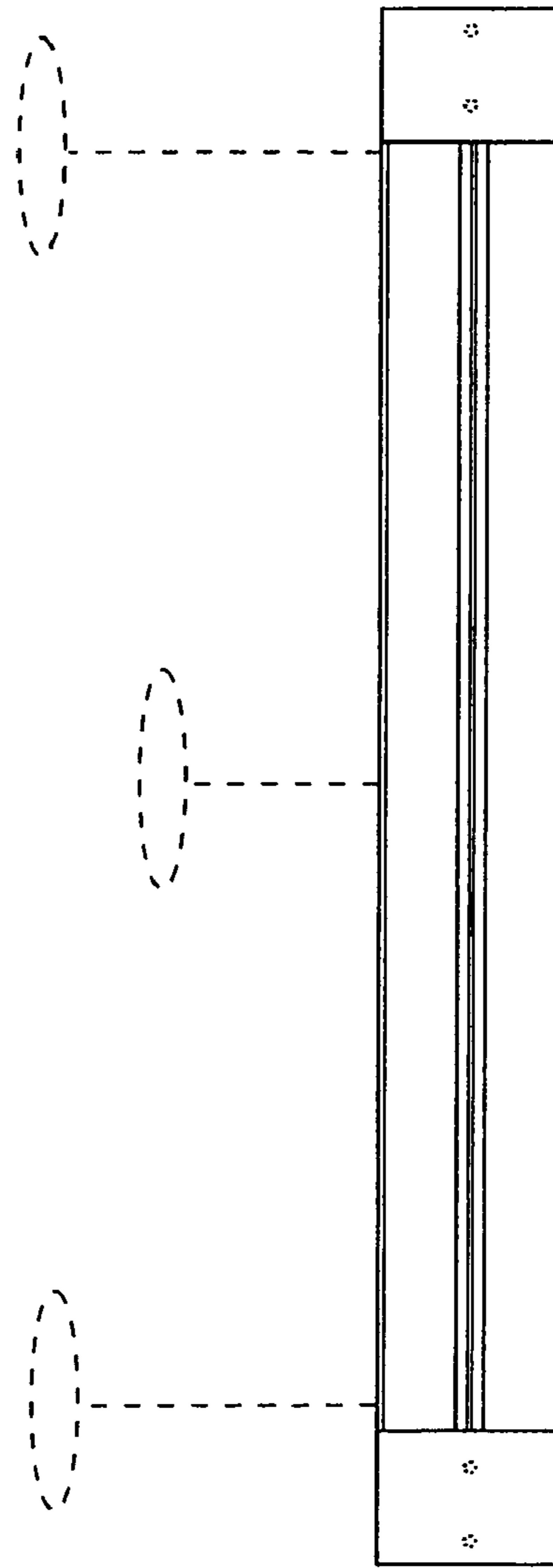


FIG. 3

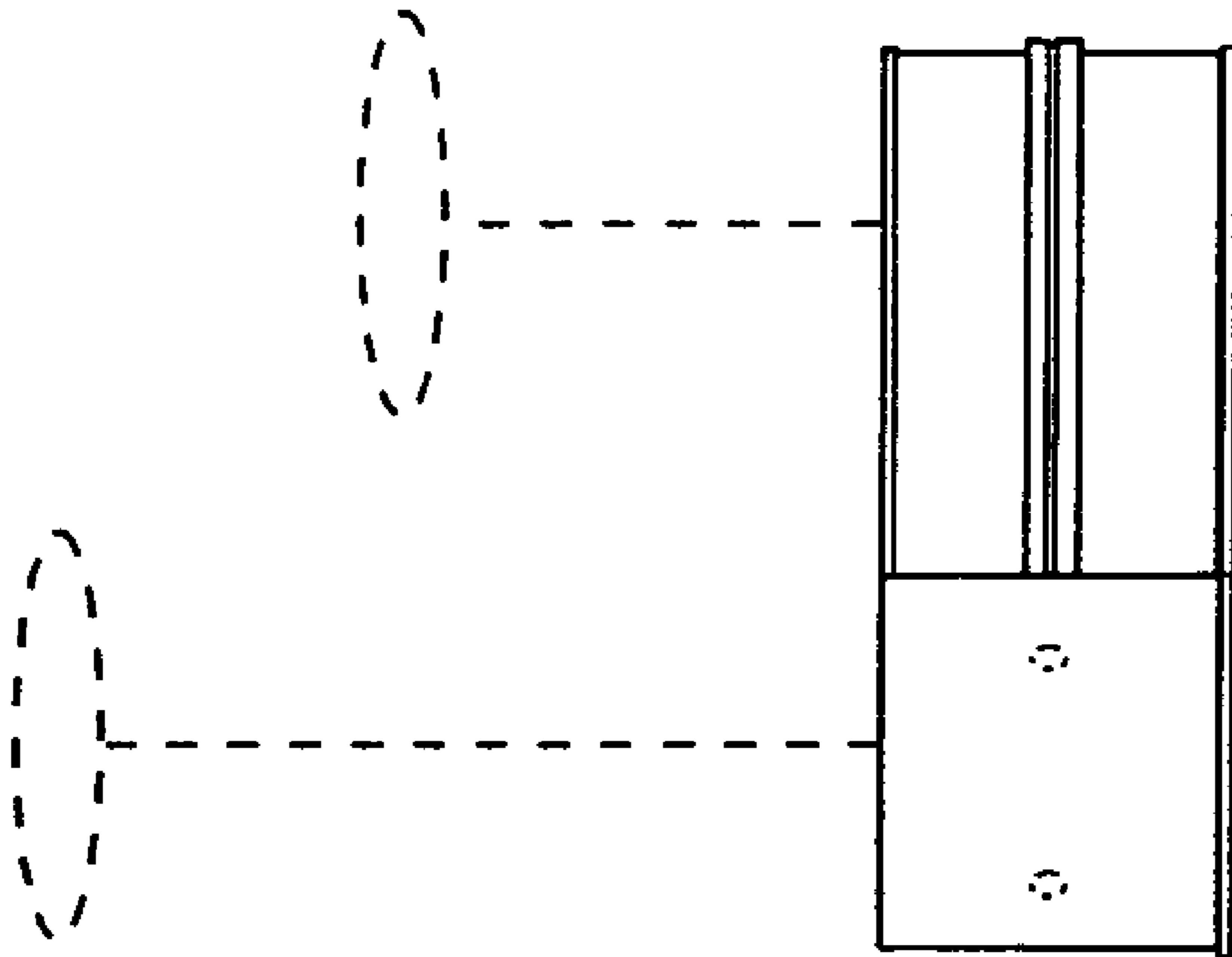


FIG. 4

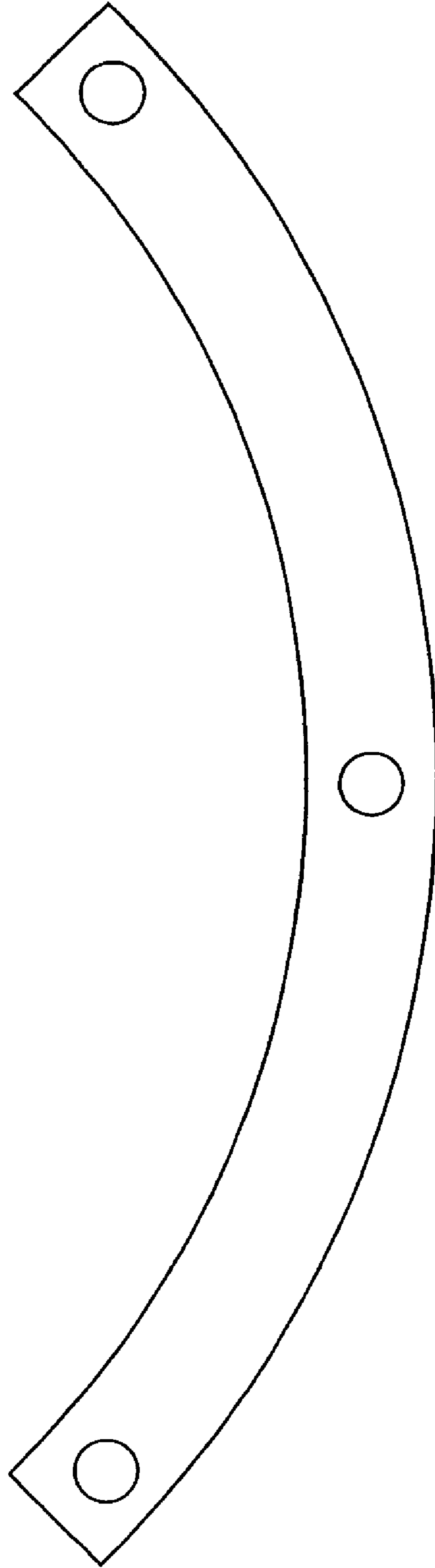


FIG. 5

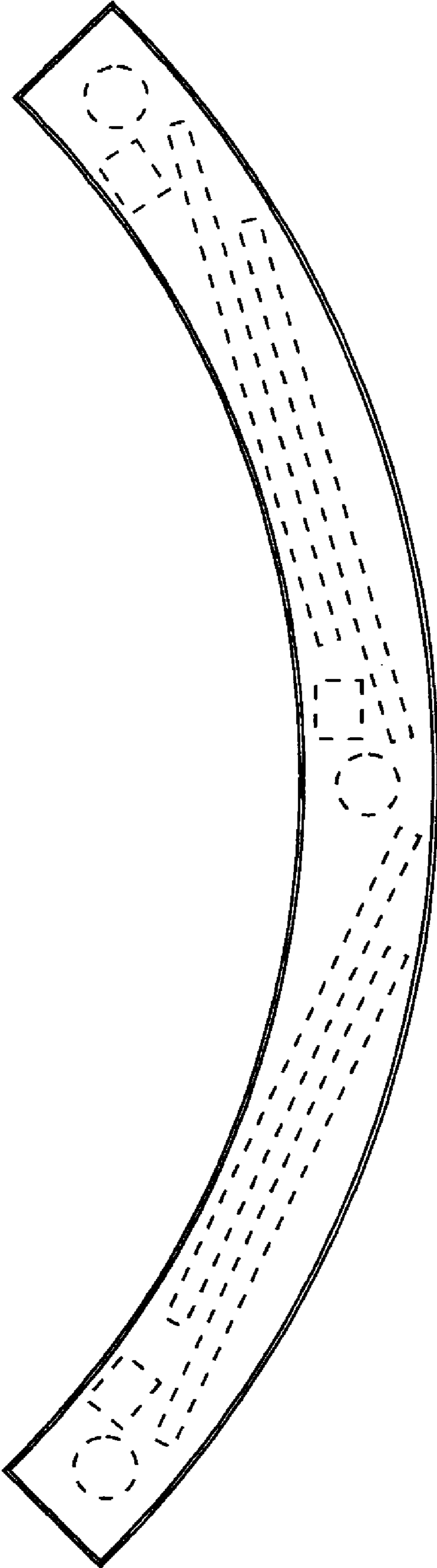


FIG. 6

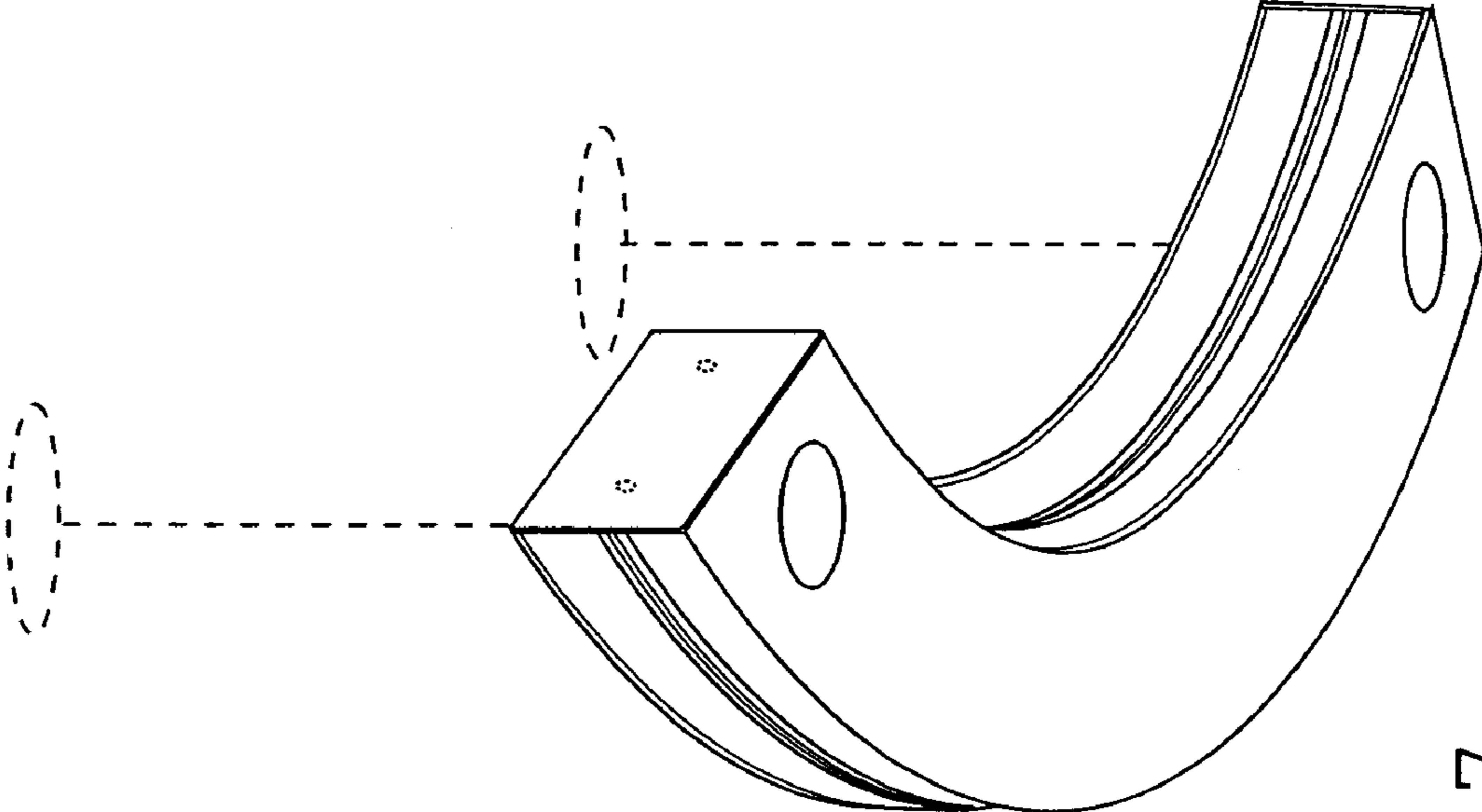


FIG. 7



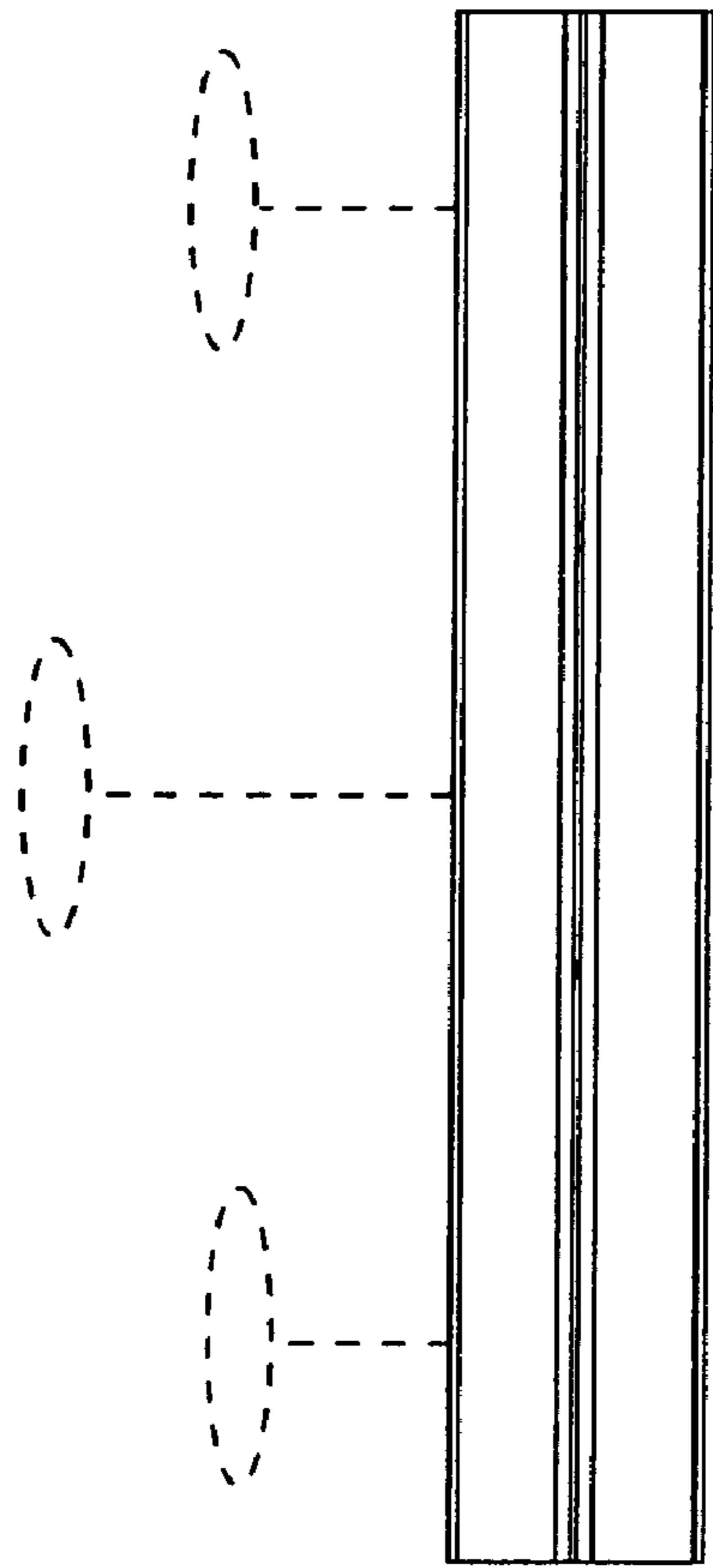


FIG. 8

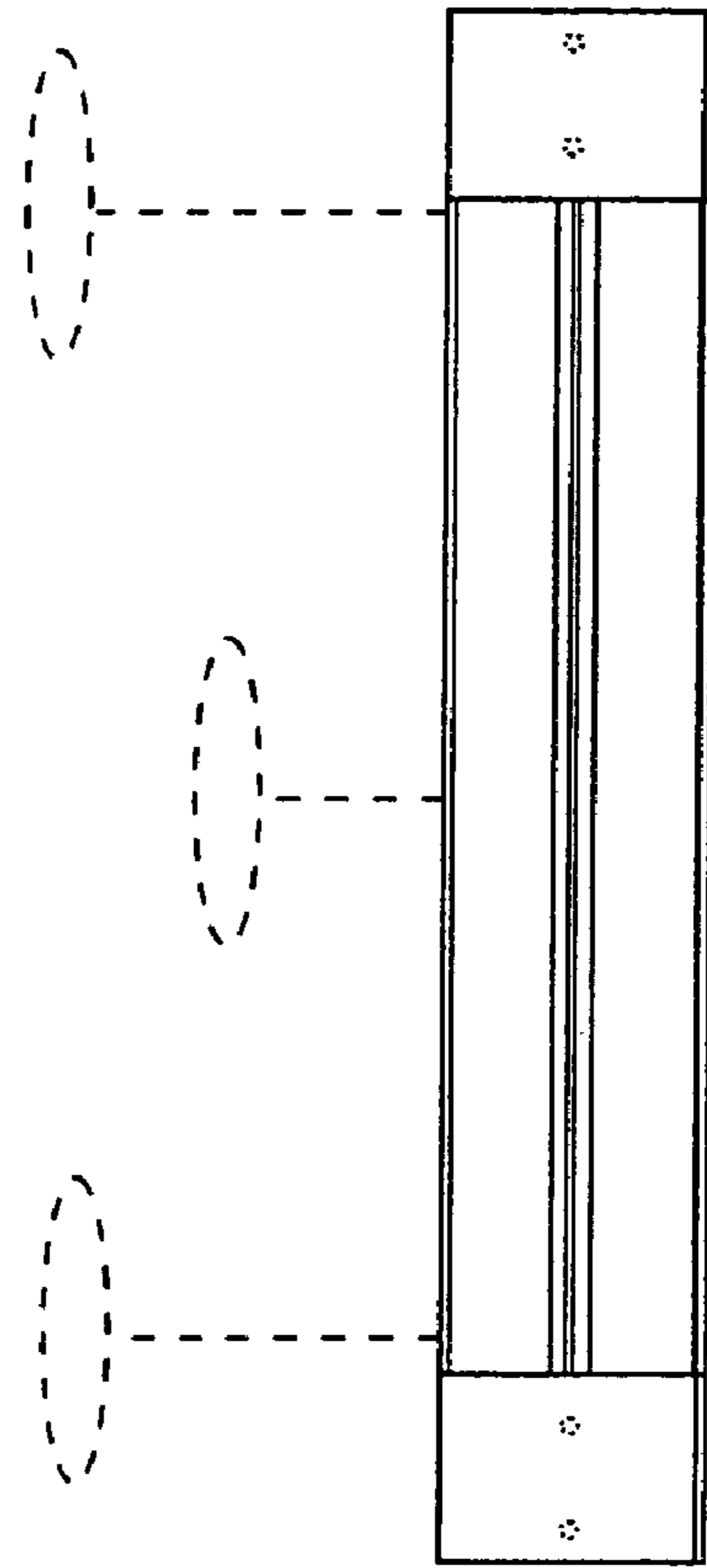


FIG. 9

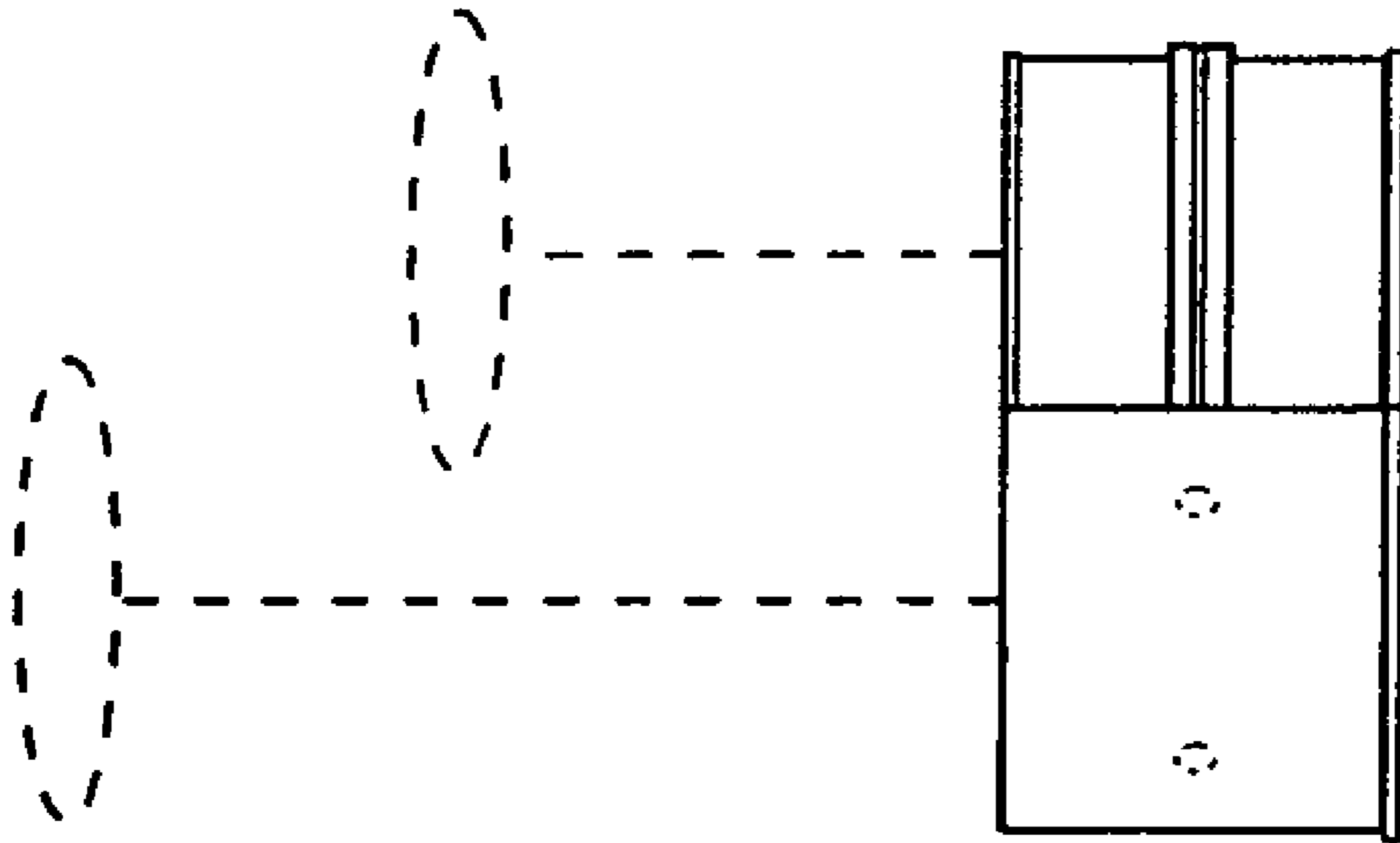


FIG. 10

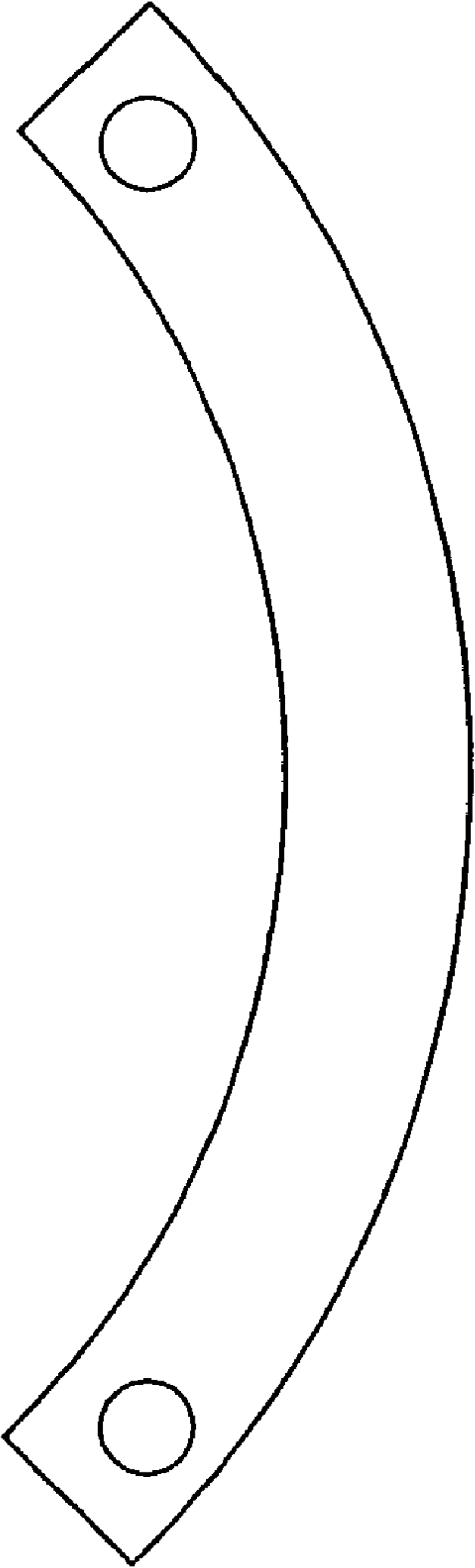


FIG. 11

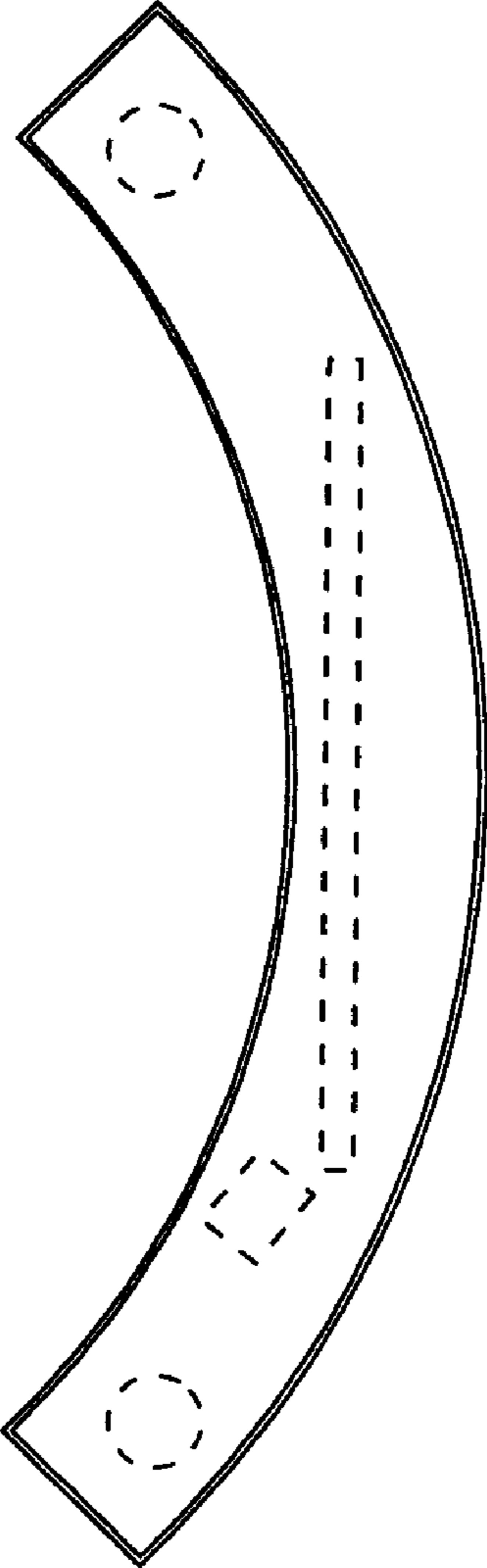


FIG. 12