



US00D565785S

(12) **United States Design Patent**
Kerr

(10) **Patent No.:** **US D565,785 S**

(45) **Date of Patent:** **** Apr. 1, 2008**

(54) **PHOTOCATALYTIC LAMP MODULE FOR AN AIR PURIFIER**

(76) **Inventor:** **William Thomas Kerr**, 2522 W. Washington, Monticello, FL (US) 32344

(**) **Term:** **14 Years**

(21) **Appl. No.:** **29/243,712**

(22) **Filed:** **Nov. 29, 2005**

(51) **LOC (8) Cl.** **26-99**

(52) **U.S. Cl.** **D26/113**

(58) **Field of Classification Search** D26/72, D26/63, 85, 28, 124, 118, 65, 60, 40, 41, D26/42, 80, 87, 68, 67, 37, 49, 74, 77, 86, D26/88, 89, 93, 103, 104, 105, 113, 114, D26/119, 122, 123, 128, 138, 142, 143, 152; 362/365, 96, 147, 151, 153, 217, 643, 654, 362/257, 290, 296, 297, 301, 302, 309, 317, 362/341, 342, 343, 347, 348, 349, 362, 364, 362/395, 404, 405, 410, 441; 126/258

See application file for complete search history.

(56) **References Cited**

U.S. PATENT DOCUMENTS

4,694,179	A *	9/1987	Lew et al.	250/431
D292,236	S *	10/1987	Caldwell	D26/65
D350,620	S *	9/1994	Yuen	D26/65
D357,058	S *	4/1995	Engelhard	D23/209
5,933,702	A *	8/1999	Goswami	422/186.3
D416,307	S *	11/1999	Williams	D23/209

D427,348	S *	6/2000	Huang	D26/63
6,156,211	A *	12/2000	Gonzalez-Martin et al.	210/748
D441,114	S *	4/2001	Chen	D26/63
D446,877	S *	8/2001	Lester	D26/72
6,613,225	B1 *	9/2003	Toyoda et al.	210/205
2005/0007778	A1 *	1/2005	Lin	362/250

* cited by examiner

Primary Examiner—Freda S. Nunn
Assistant Examiner—Kevin K Rudzinski
(74) *Attorney, Agent, or Firm*—Peter Löffler

(57) **CLAIM**

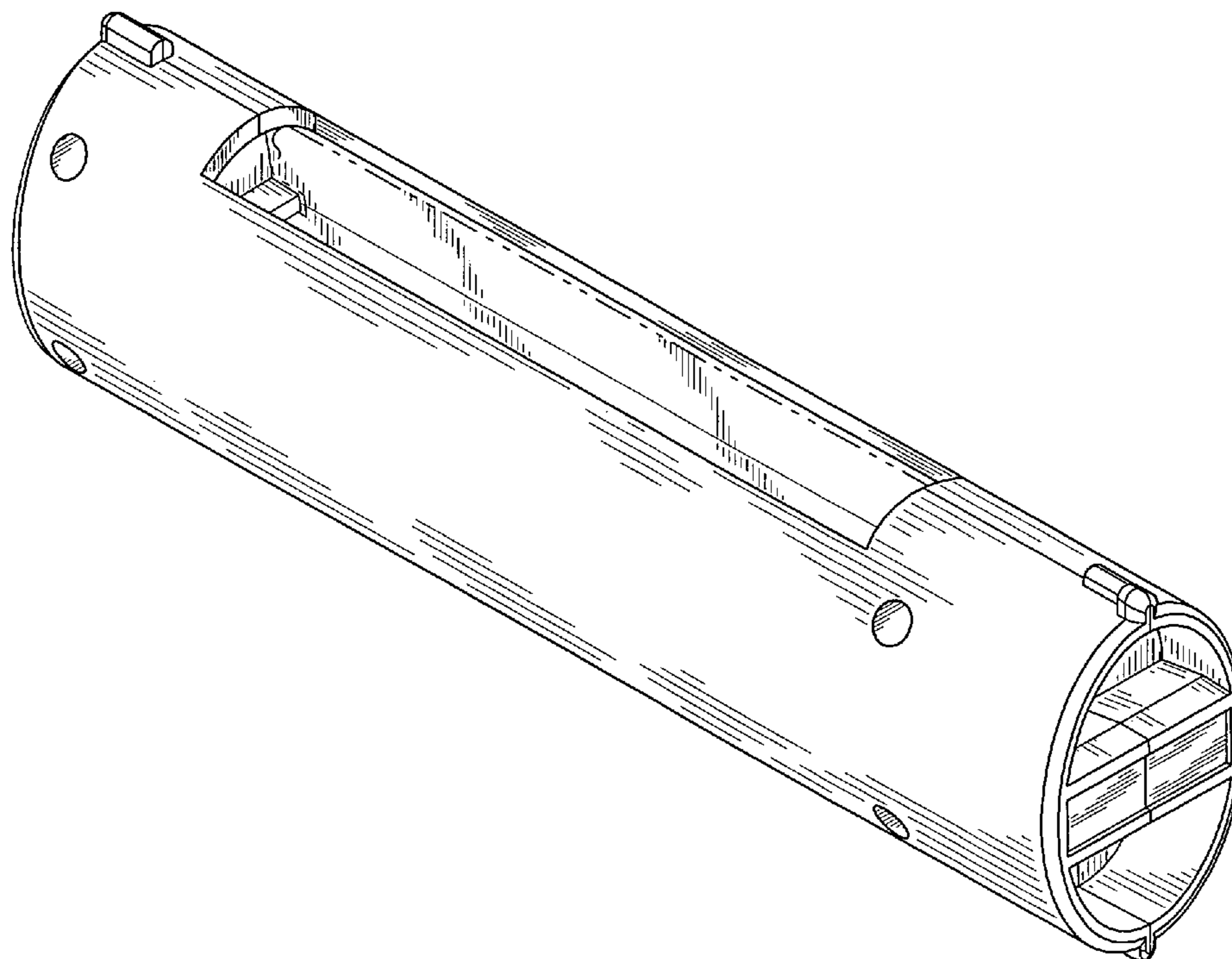
The ornamental design for a photocatalytic lamp module for an air purifier, as shown and described.

DESCRIPTION

FIG. 1 is a perspective view of the photocatalytic lamp module for an air purifier;
FIG. 2 is a left side elevation view thereof;
FIG. 3 is a right side elevation view thereof;
FIG. 4 is a top plan view thereof;
FIG. 5 is a front elevation view thereof;
FIG. 6 is a rear elevation view thereof; and,
FIG. 7 is a bottom plan view thereof.

The broken line showing is included for the purpose of illustration only and forms no part of the claimed design.

1 Claim, 3 Drawing Sheets



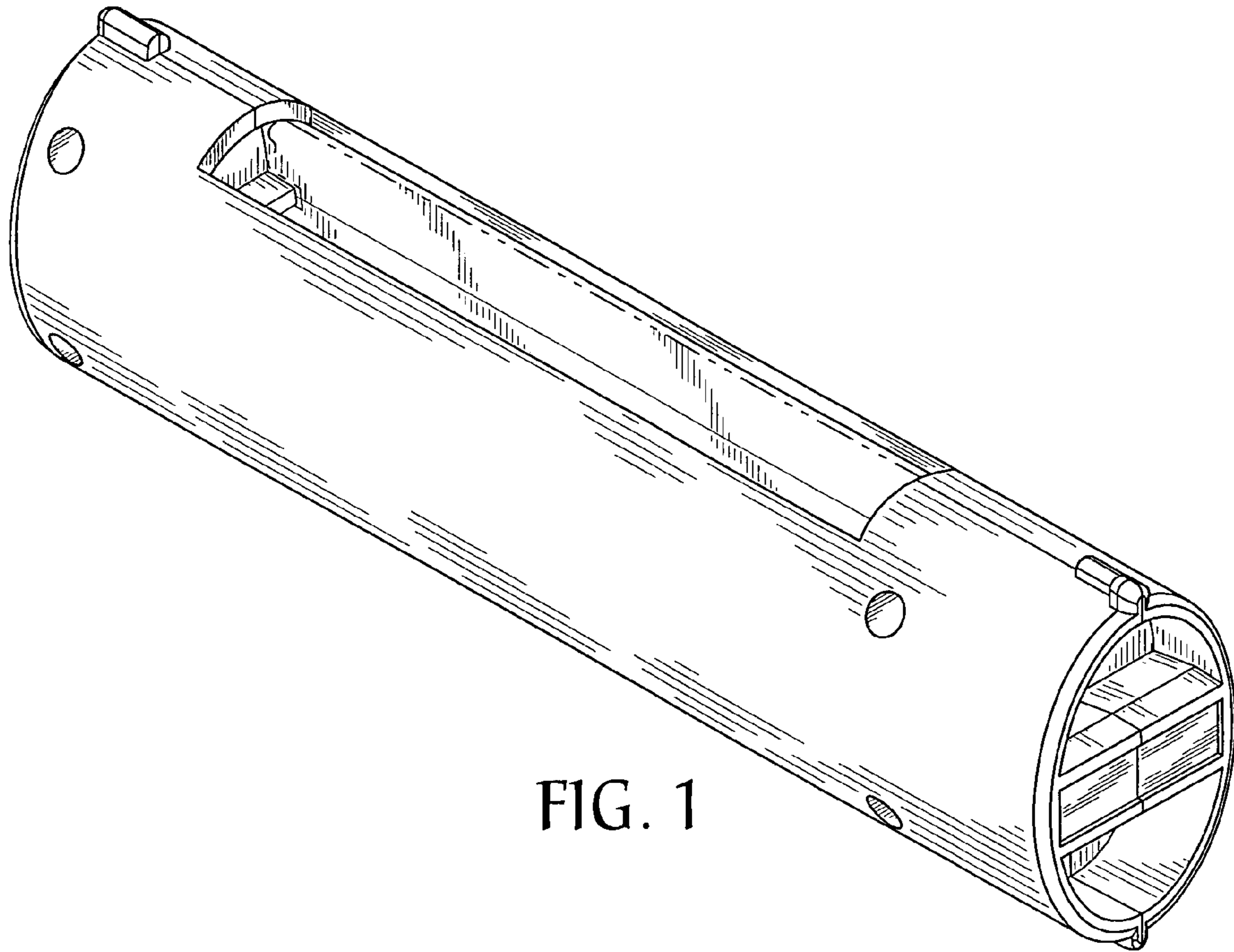


FIG. 1

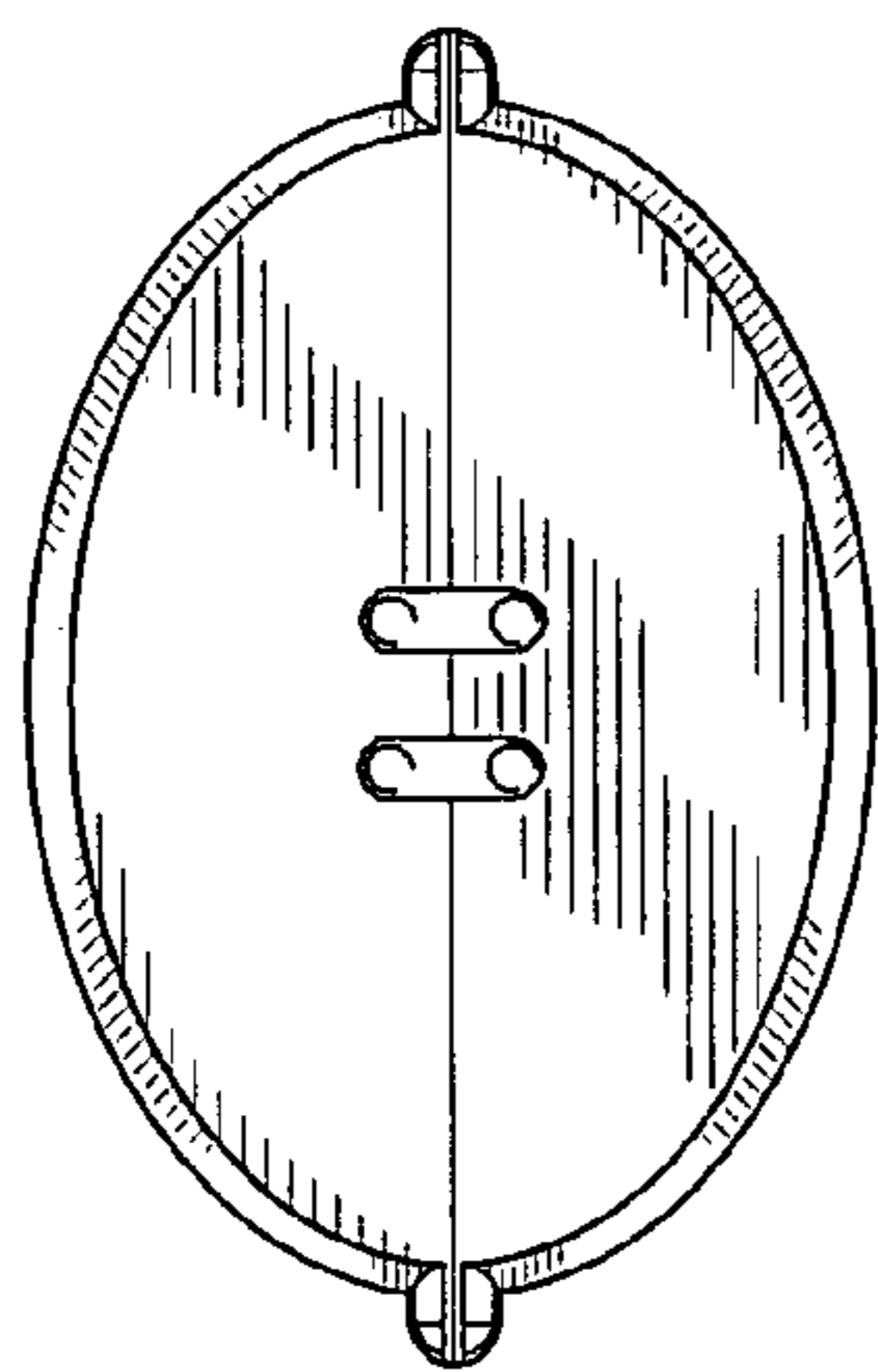


FIG. 2

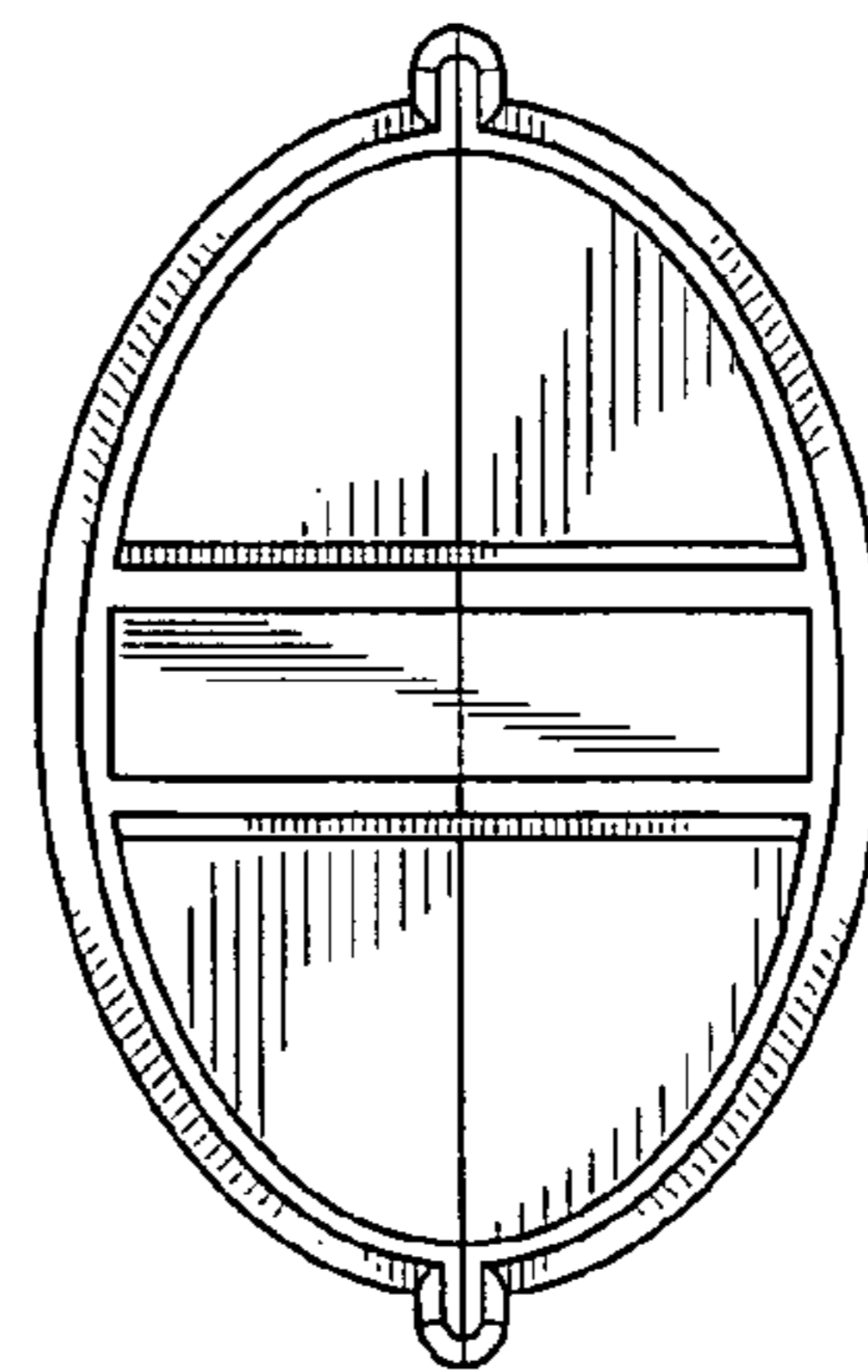


FIG. 3

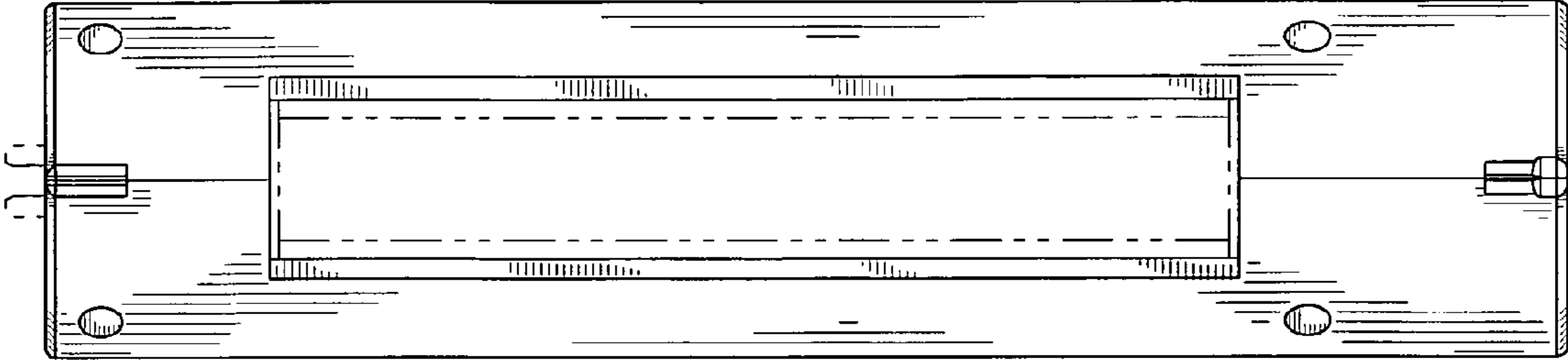


FIG. 4

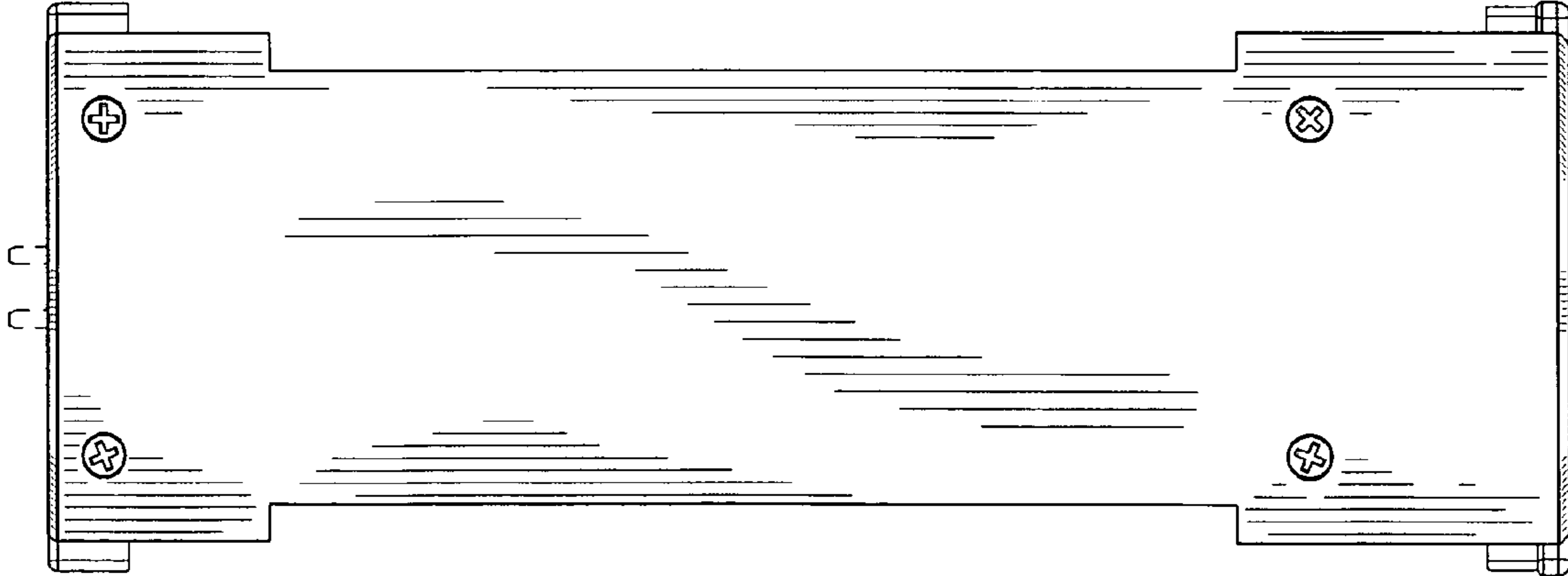


FIG. 5

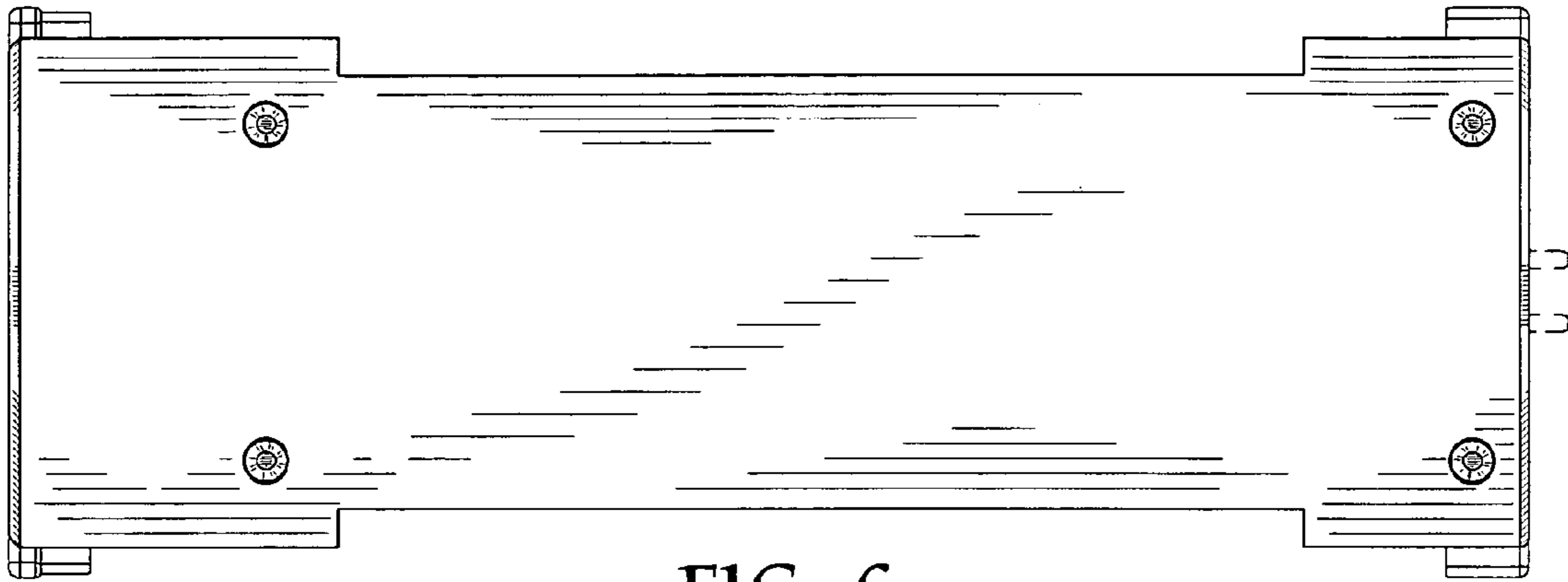


FIG. 6

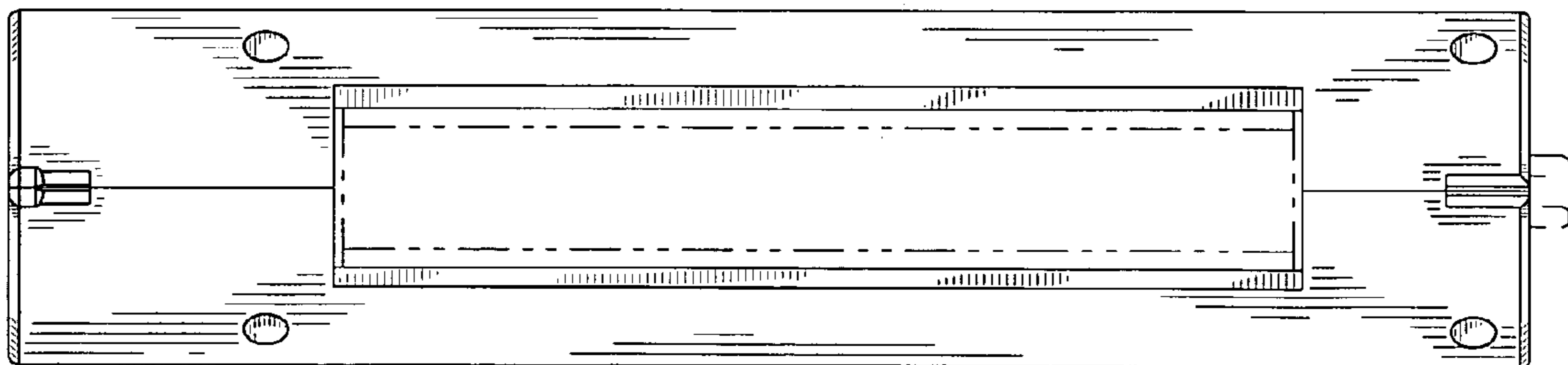


FIG. 7