



US00D565780S

(12) **United States Design Patent**
Campagna

(10) **Patent No.:** **US D565,780 S**

(45) **Date of Patent:** **** Apr. 1, 2008**

(54) **LIGHT FIXTURE**

Primary Examiner—Clare E Heflin

(75) Inventor: **Cary Campagna**, Portage, MI (US)

(74) *Attorney, Agent, or Firm*—Flynn, Thiel, Boutell & Tanis, P.C.

(73) Assignee: **Command Electronics, Inc.**,
Schoolcraft, MI (US)

(**) Term: **14 Years**

(57) **CLAIM**

(21) Appl. No.: **29/285,846**

The ornamental design for a light fixture, as shown and described.

(22) Filed: **Apr. 12, 2007**

(51) **LOC (8) Cl.** **26-03**

(52) **U.S. Cl.** **D26/85**

(58) **Field of Classification Search** D26/71,
D26/72, 85, 88, 89, 121, 122; 362/147, 348–350,
362/367, 432, 806, 572

See application file for complete search history.

DESCRIPTION

(56) **References Cited**

U.S. PATENT DOCUMENTS

D228,795 S	*	10/1973	Peasley	D26/85
D324,111 S	*	2/1992	Arbisi	D26/85
D337,846 S	*	7/1993	Fiorato	D26/85
D371,857 S	*	7/1996	Gismondi	D26/85
D393,093 S	*	3/1998	Fiorato	D26/85
D496,751 S	*	9/2004	Lin	D26/85
D556,618 S	*	12/2007	Campagna	D10/114

FIG. 1 is a perspective view of the light fixture embodying my new design;

FIG. 2 is a front view thereof;

FIG. 3 is a rear view thereof;

FIG. 4 is a top view thereof;

FIG. 5 is a bottom view thereof;

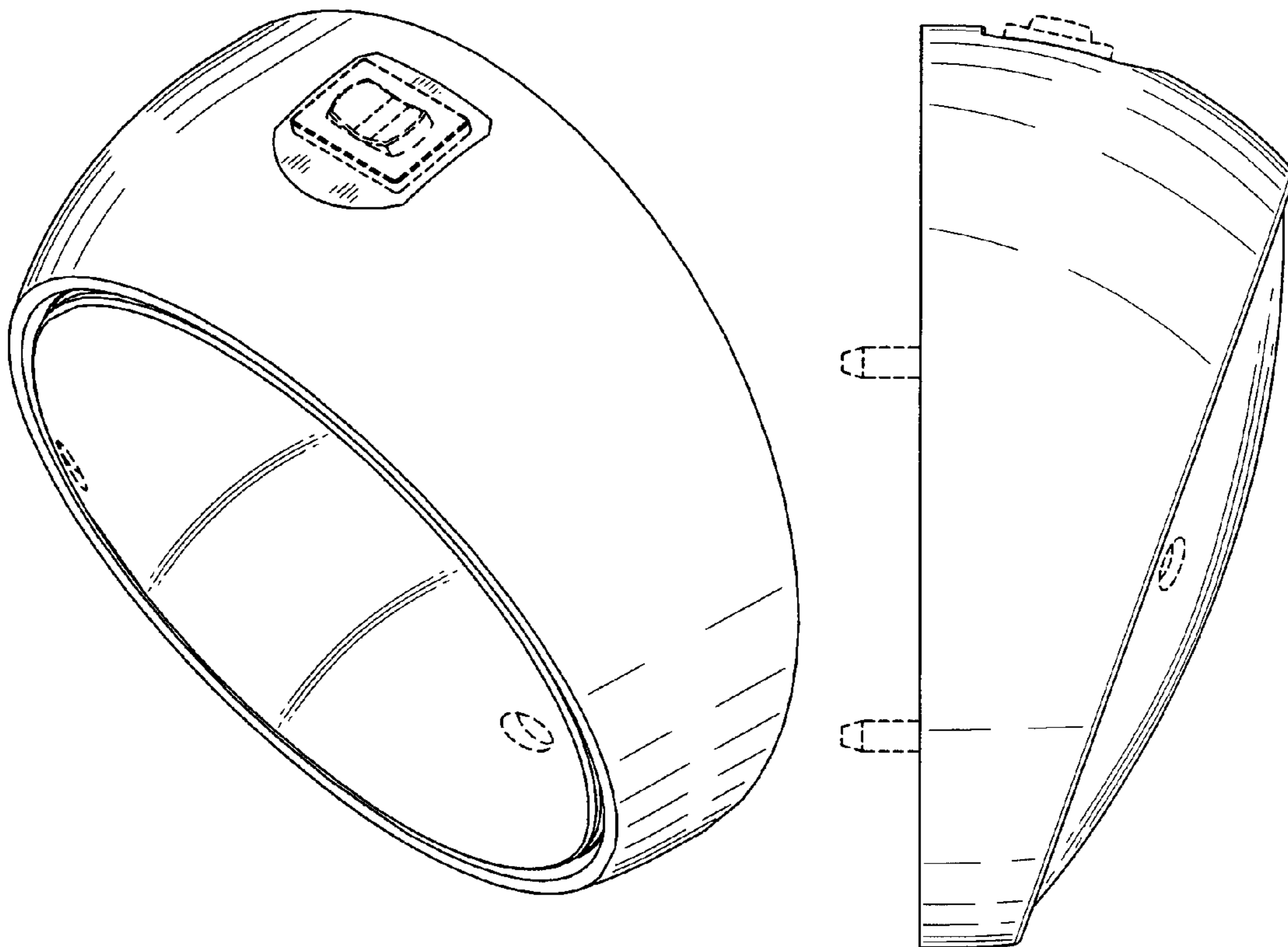
FIG. 6 is a left side view thereof;

FIG. 7 is a right side view thereof.

The broken line showing of the switch and mounting structure is for the purpose of illustrating portions of the light fixture and forms no part of the claimed design.

* cited by examiner

1 Claim, 6 Drawing Sheets



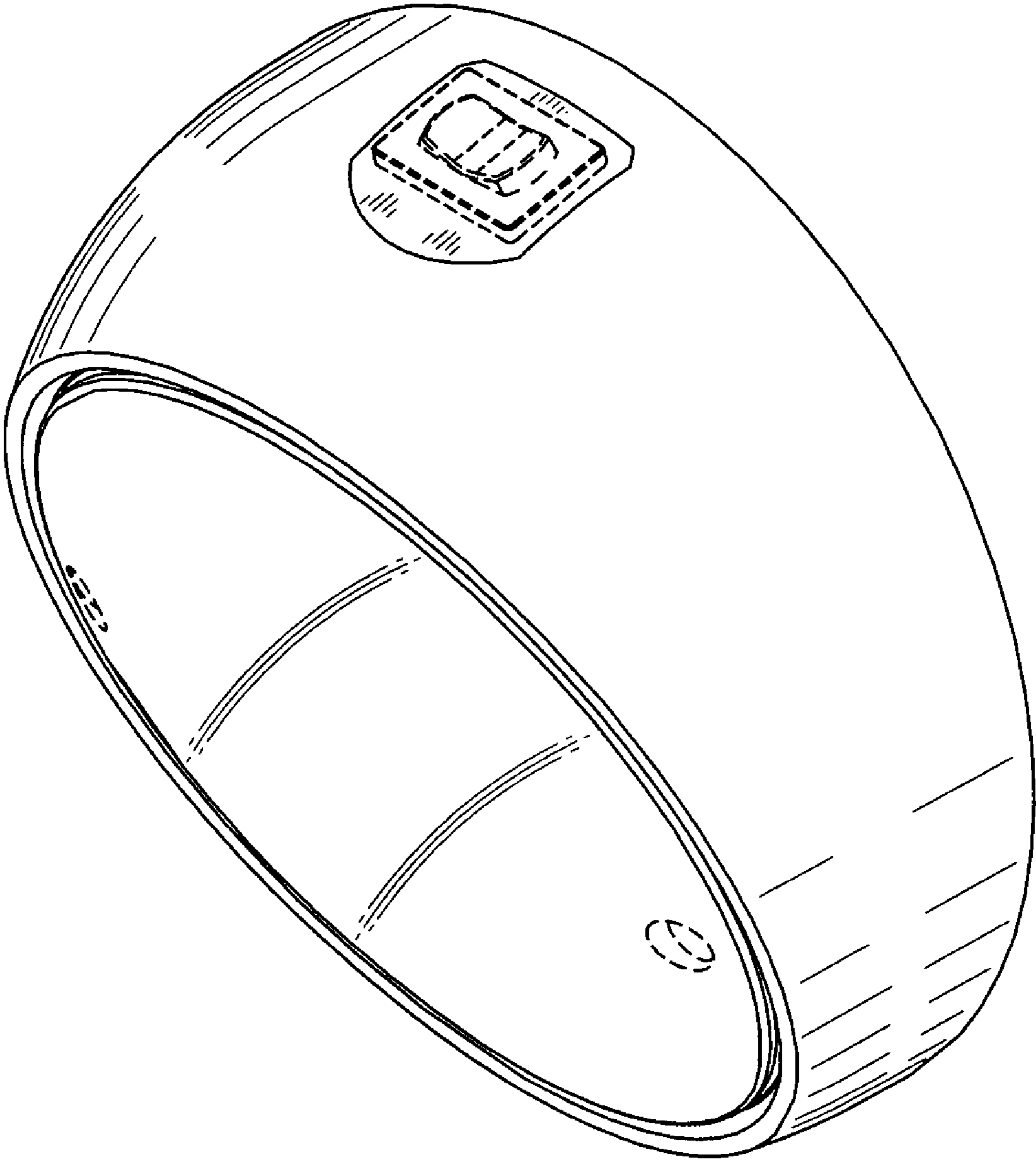


FIG. 1

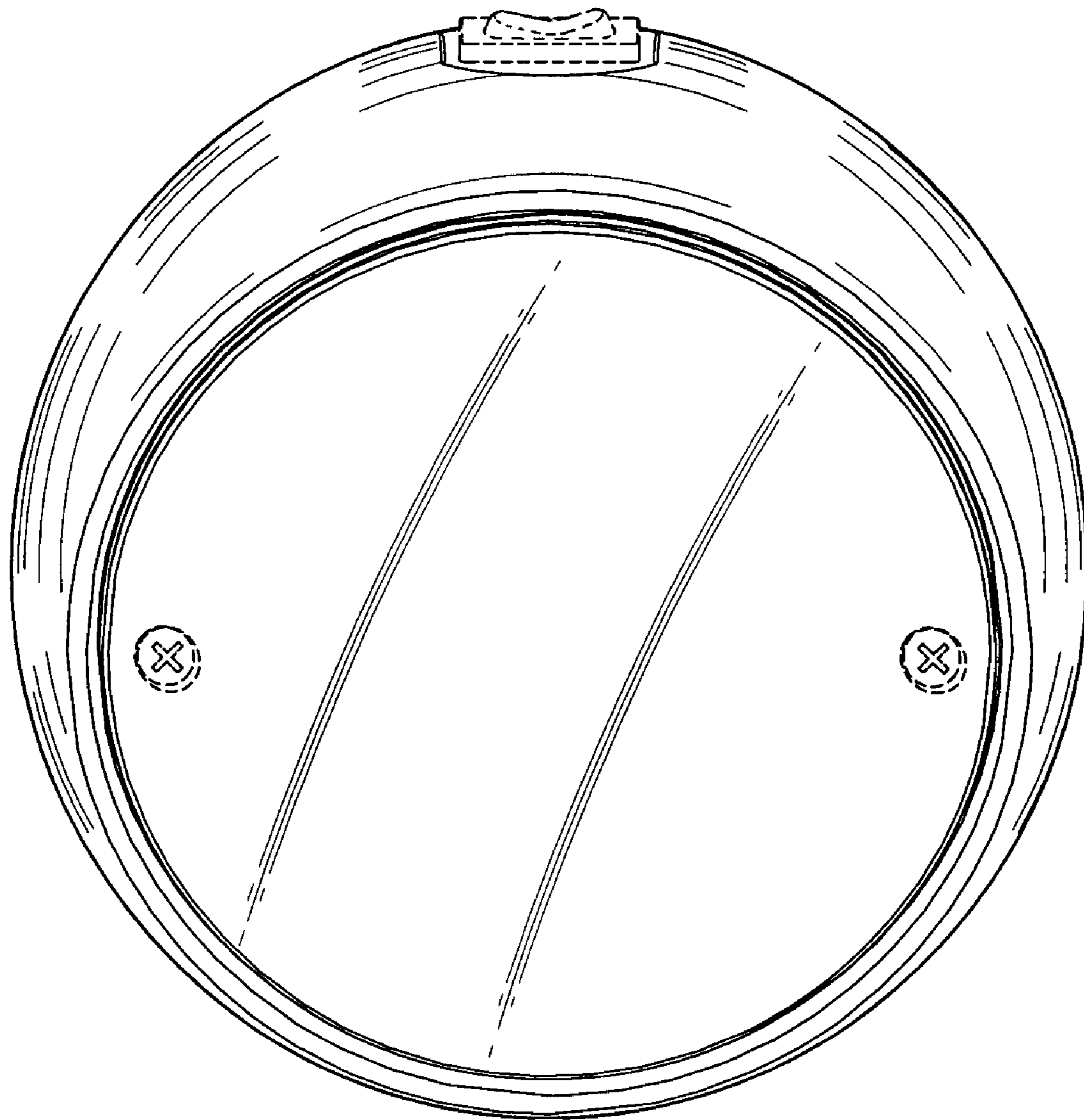


FIG. 2

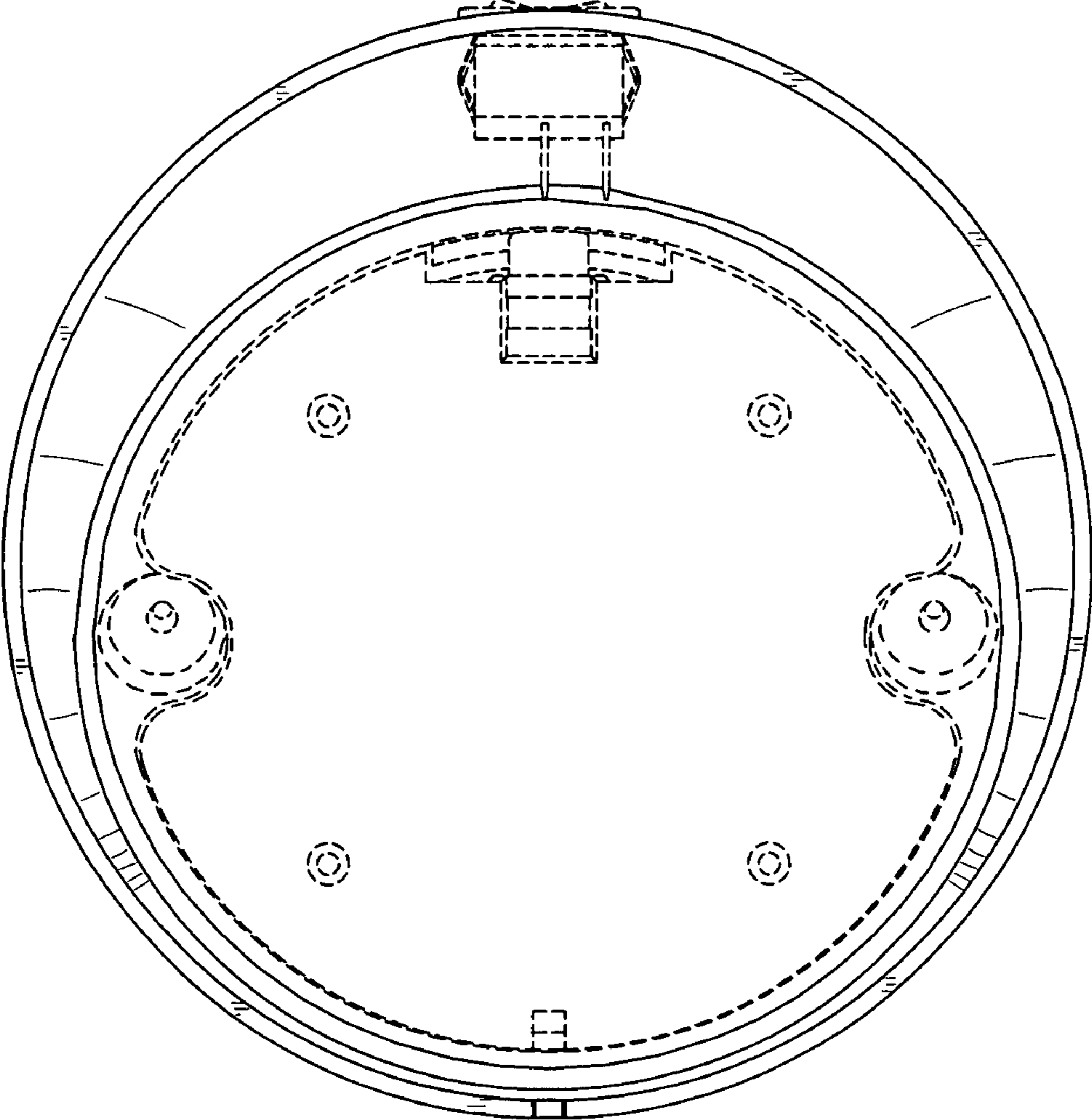


FIG. 3

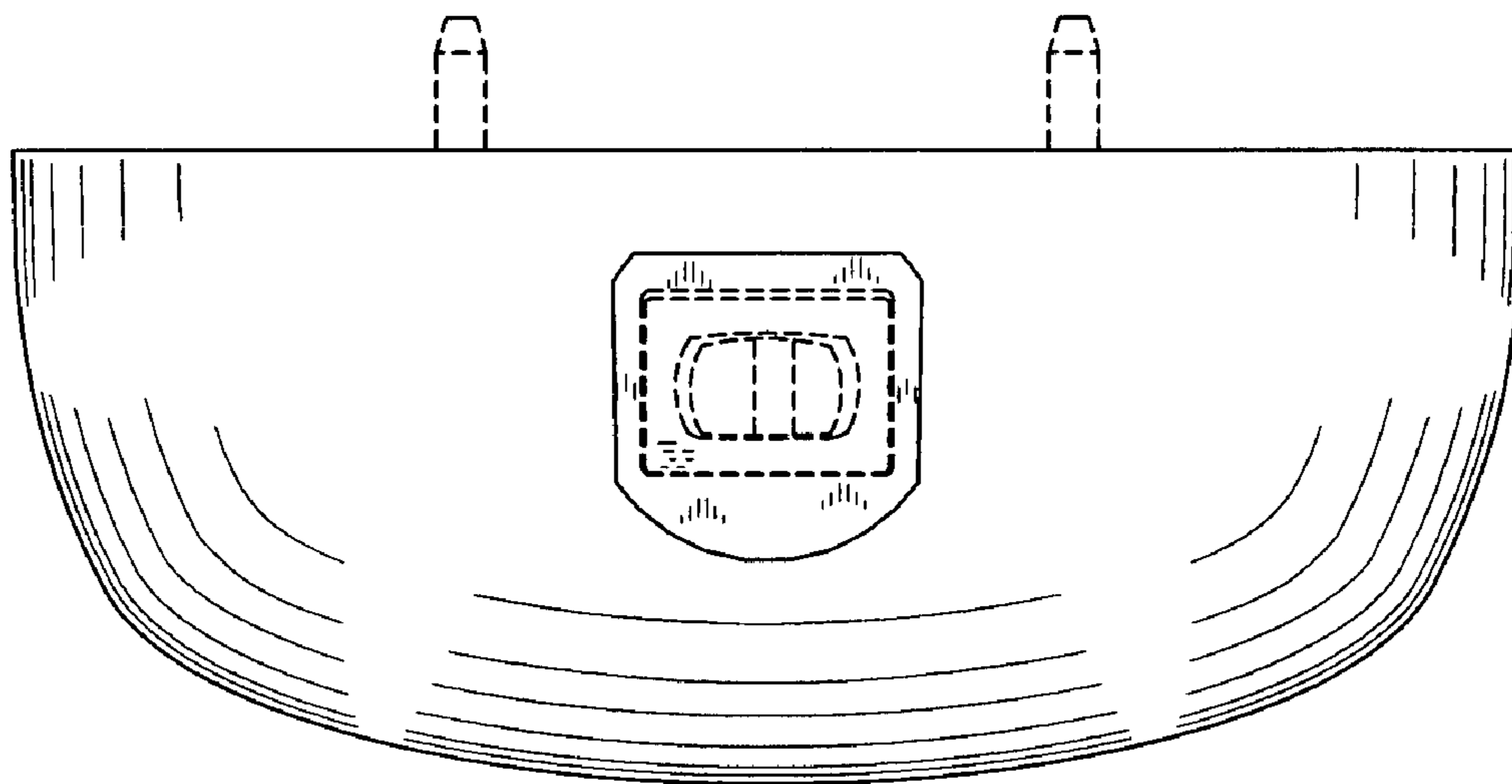


FIG. 4

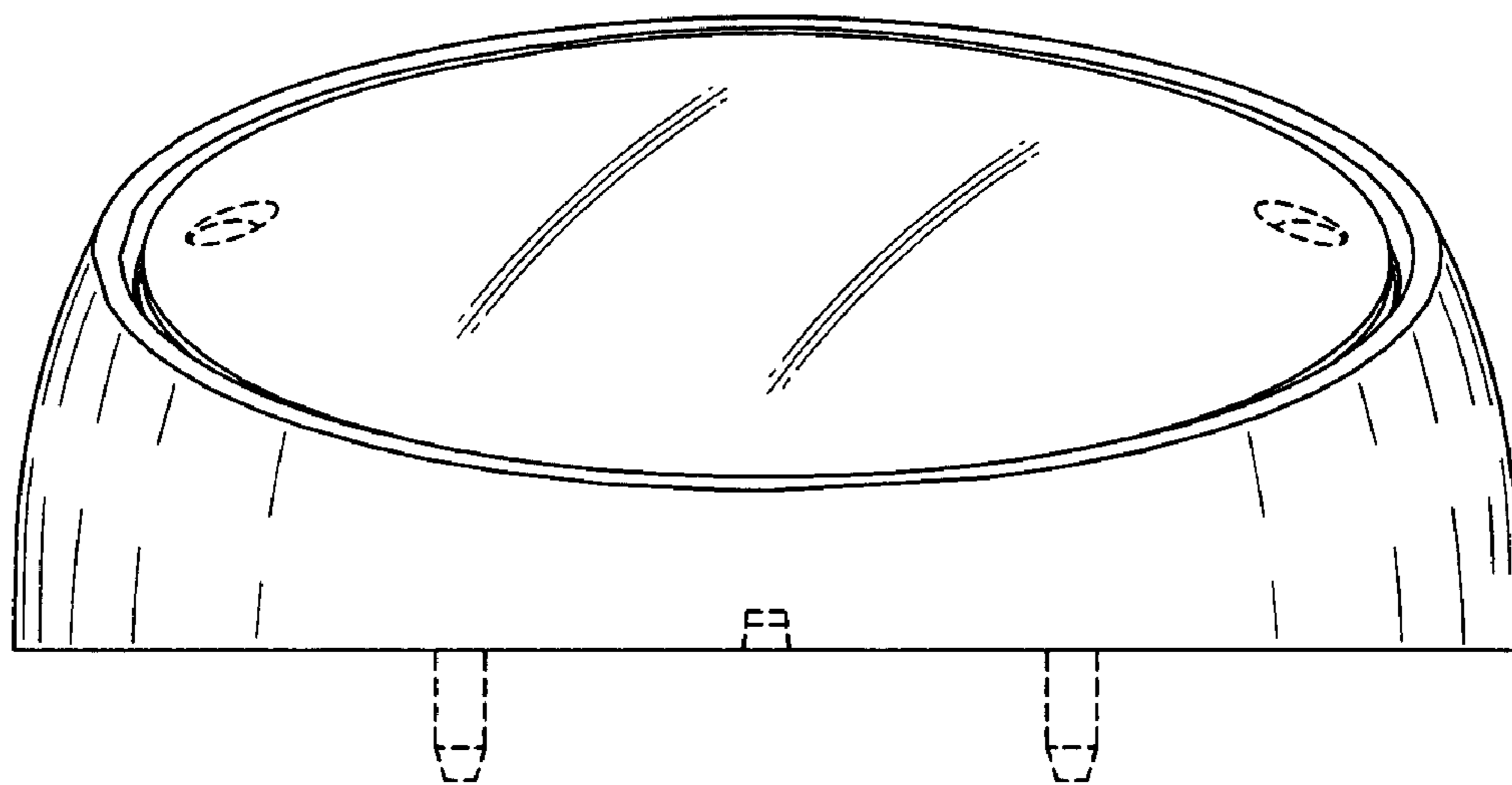


FIG. 5

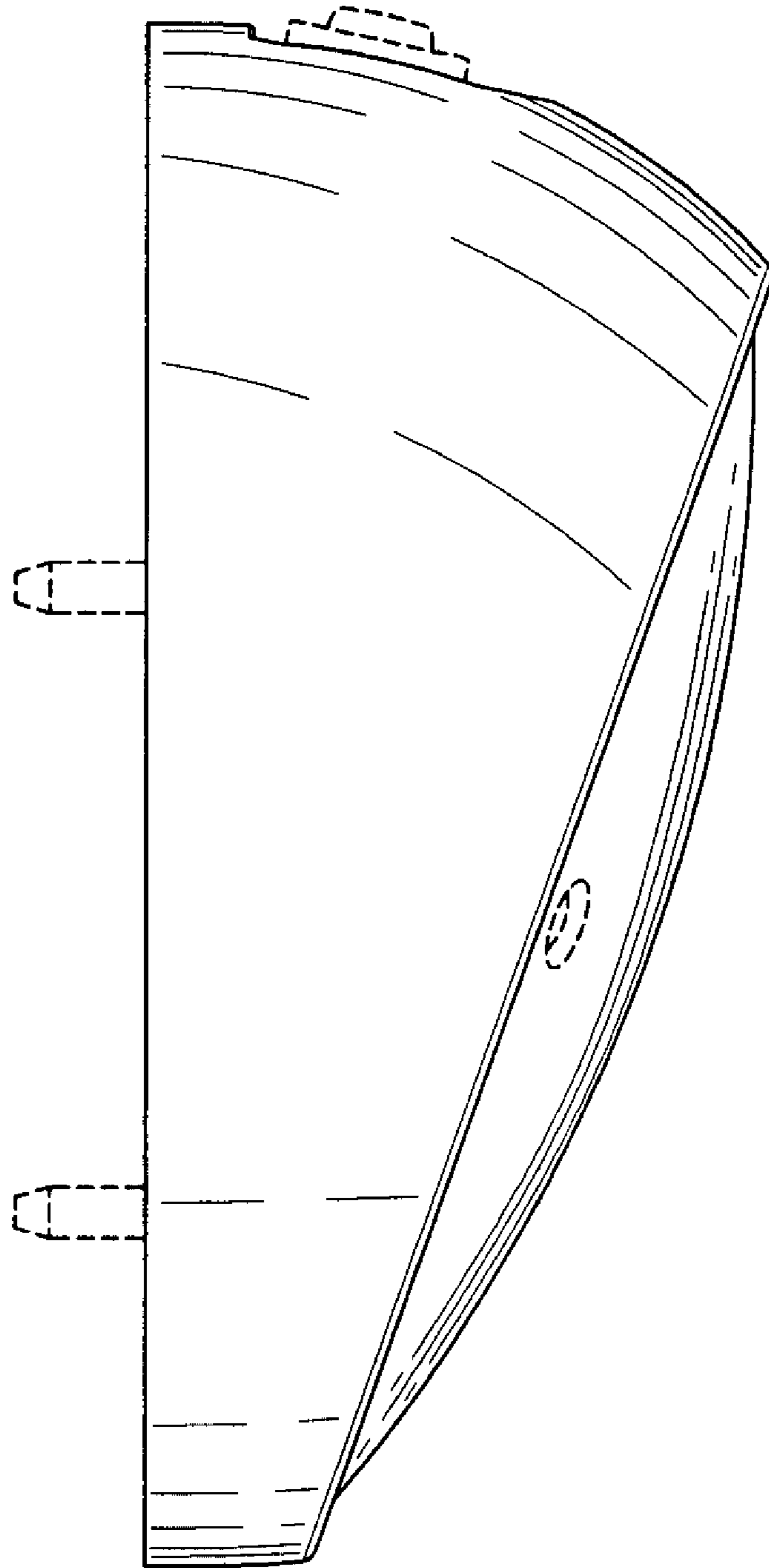


FIG. 6

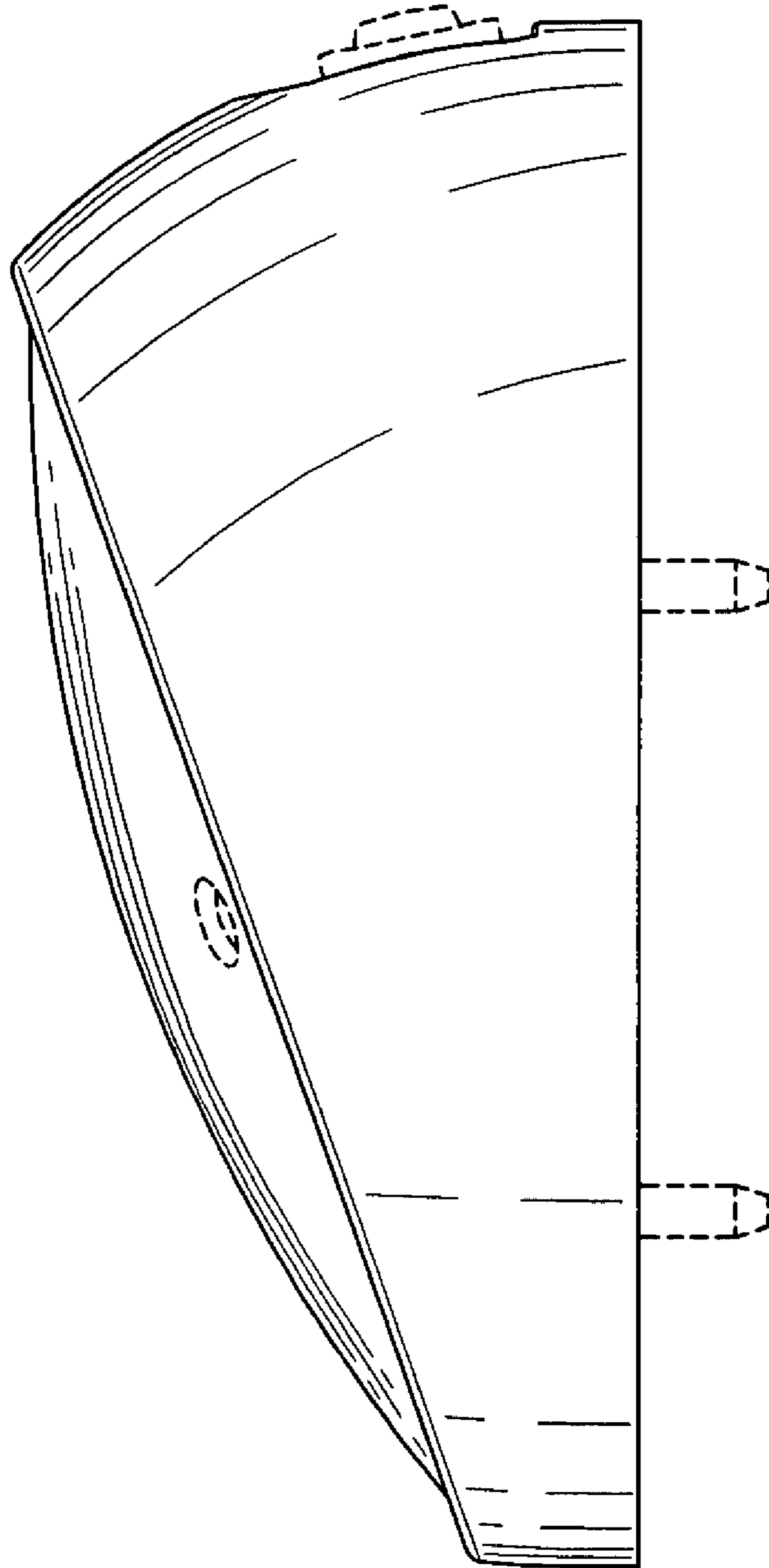


FIG. 7