



US00D565779S

(12) **United States Design Patent**
Meise et al.

(10) **Patent No.:** **US D565,779 S**
(45) **Date of Patent:** **** Apr. 1, 2008**

(54) **LAMP**

(76) Inventors: **Axel Meise**, Lindenstrape 4 a, D-81545 München (DE); **Christoph Kügler**, Falkerstrape 42, D-81541 München (DE)

(**) Term: **14 Years**

(21) Appl. No.: **29/277,393**

(22) Filed: **Feb. 23, 2007**

(51) **LOC (8) Cl.** **26-03**

(52) **U.S. Cl.** **D26/84; D26/88**

(58) **Field of Classification Search** D26/72, D26/84, 85, 86, 88, 90, 91; 362/147, 404-408, 362/432

See application file for complete search history.

(56) **References Cited**

U.S. PATENT DOCUMENTS

D30,768 S *	5/1899	Williams	D26/72
D102,438 S *	12/1936	Montmartin	D26/88
D127,825 S *	6/1941	Greppin	D26/84
D134,482 S *	12/1942	Ganger	D26/81
D168,738 S *	2/1953	Friedman	D23/334
D172,688 S *	7/1954	Ruskin	D26/81
D189,313 S *	11/1960	Rambusch	D26/88
D341,442 S *	11/1993	Shapiro	D26/118
D541,970 S *	5/2007	Blackman	D26/81

* cited by examiner

Primary Examiner—Clare E Heflin

(74) *Attorney, Agent, or Firm*—24IP Law Group

(57) **CLAIM**

The ornamental design for lamp, as shown and described.

DESCRIPTION

FIG. 1 is a bottom, left, front perspective view of a first embodiment of a lamp showing our new design;

FIG. 2 is a top plan view of the lamp shown in FIG. 1;

FIG. 3 is a rear elevational view of the lamp shown in FIG. 1;

FIG. 4 is a left side elevational view of the lamp shown in FIG. 1;

FIG. 5 is a front elevational view of the lamp shown in FIG. 1;

FIG. 6 is a bottom plan view of the lamp shown in FIG. 1;

FIG. 7 is a bottom, left, rear perspective view of a second embodiment of a lamp showing our new design;

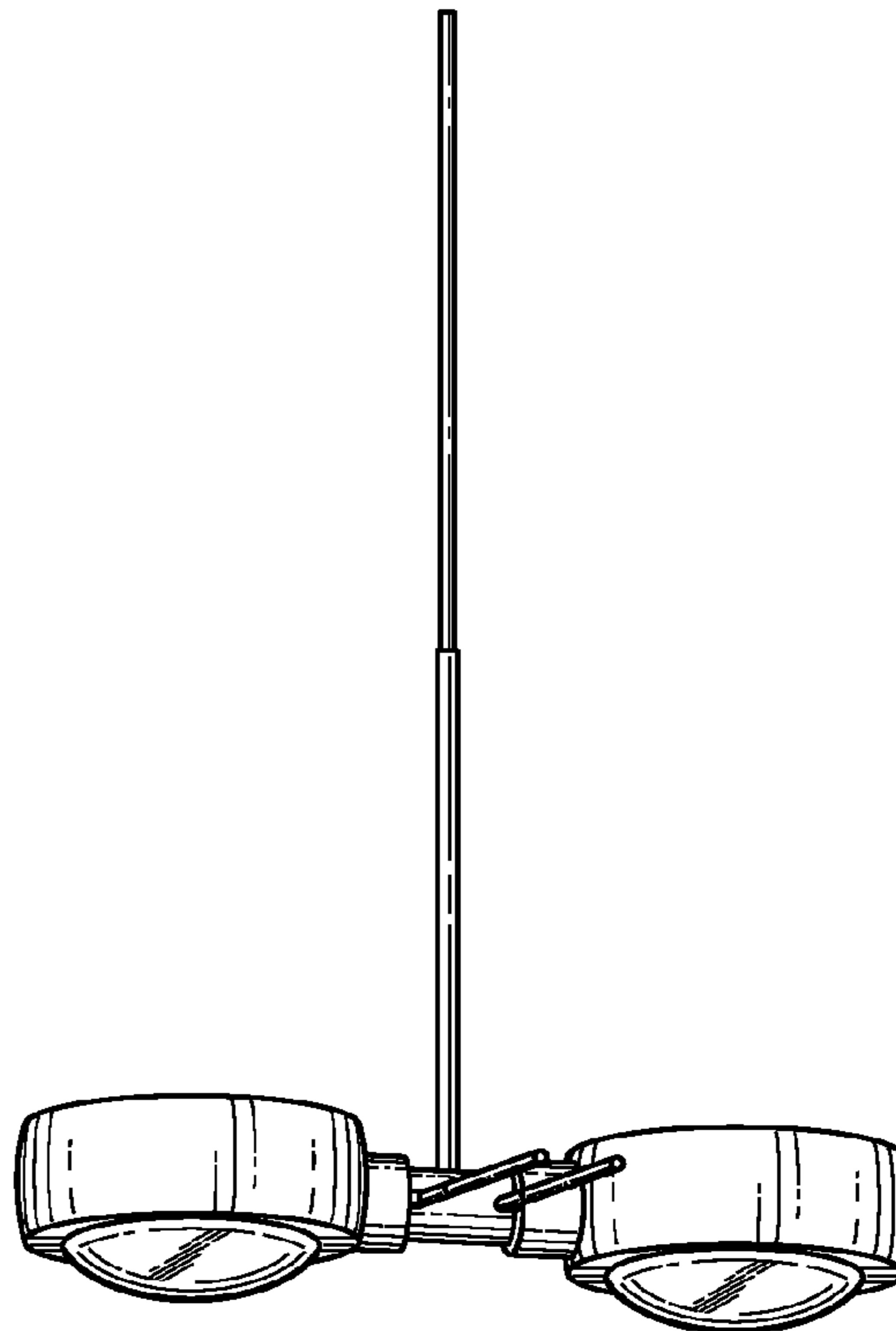
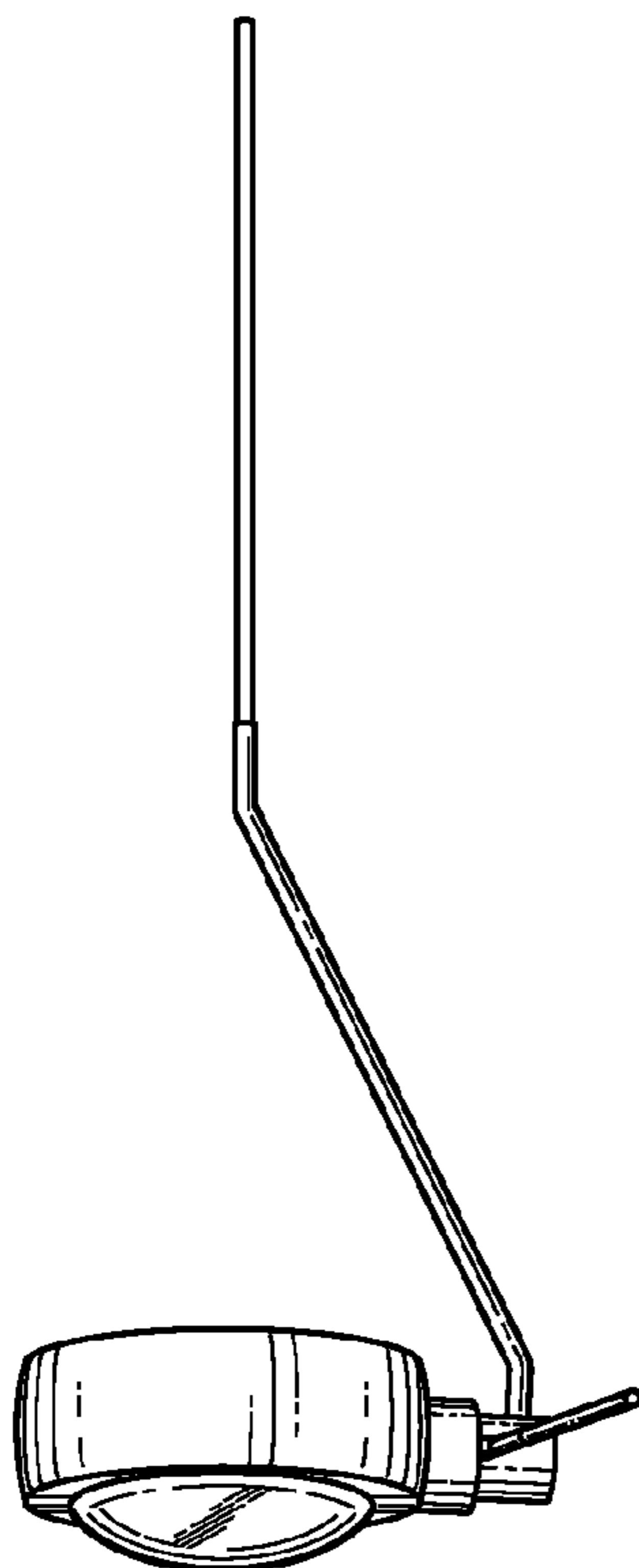
FIG. 8 is a top plan view of the lamp shown in FIG. 7;

FIG. 9 is a front elevational view of the lamp shown in FIG. 7; FIG. 10 is a left side elevational view of the lamp shown in FIG. 7, the right side of which is a mirror image;

FIG. 11 is a rear elevational view of the lamp shown in FIG. 7; and,

FIG. 12 is a bottom plan view of the lamp shown in FIG. 7.

1 Claim, 4 Drawing Sheets



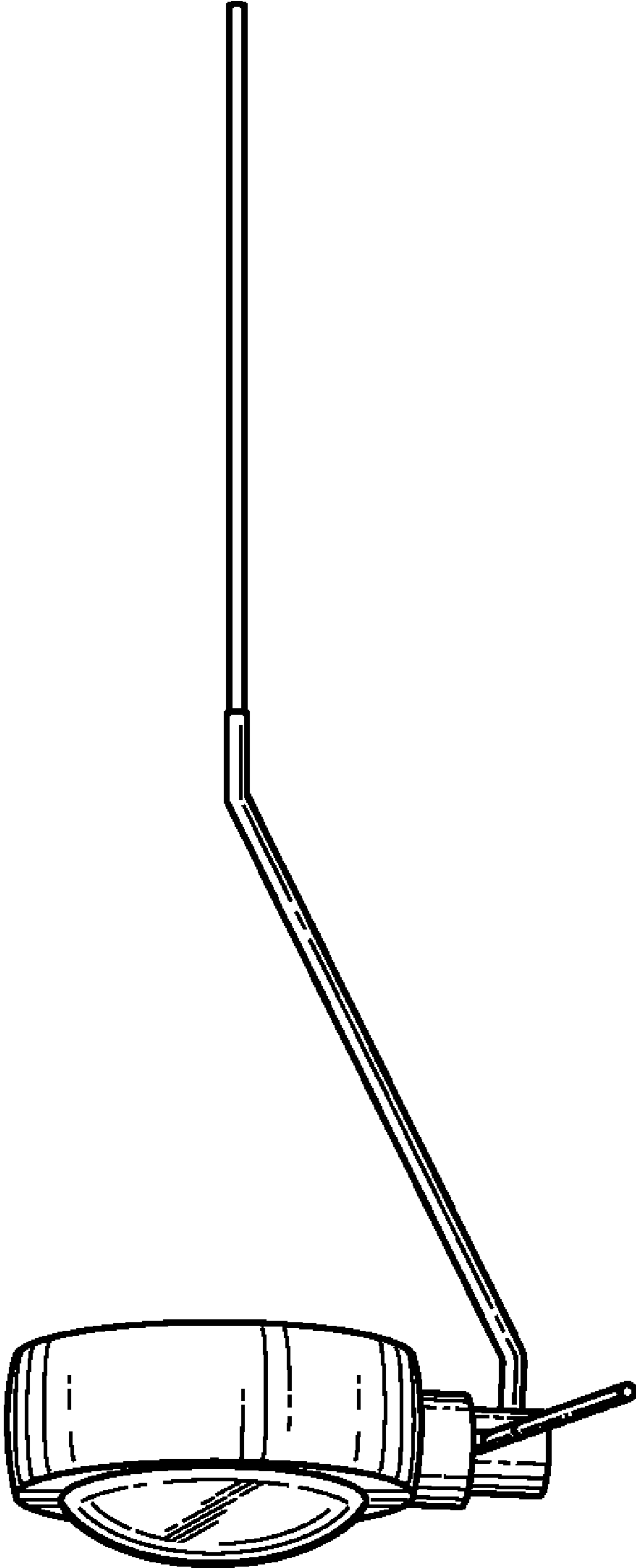


FIG. 1

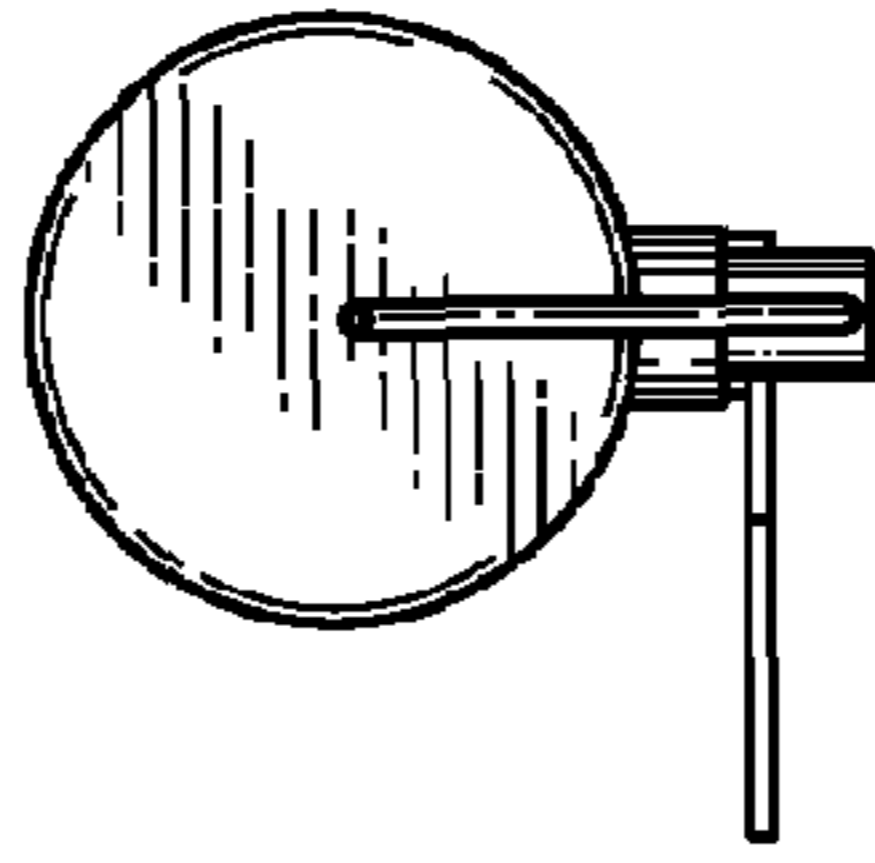


FIG. 2

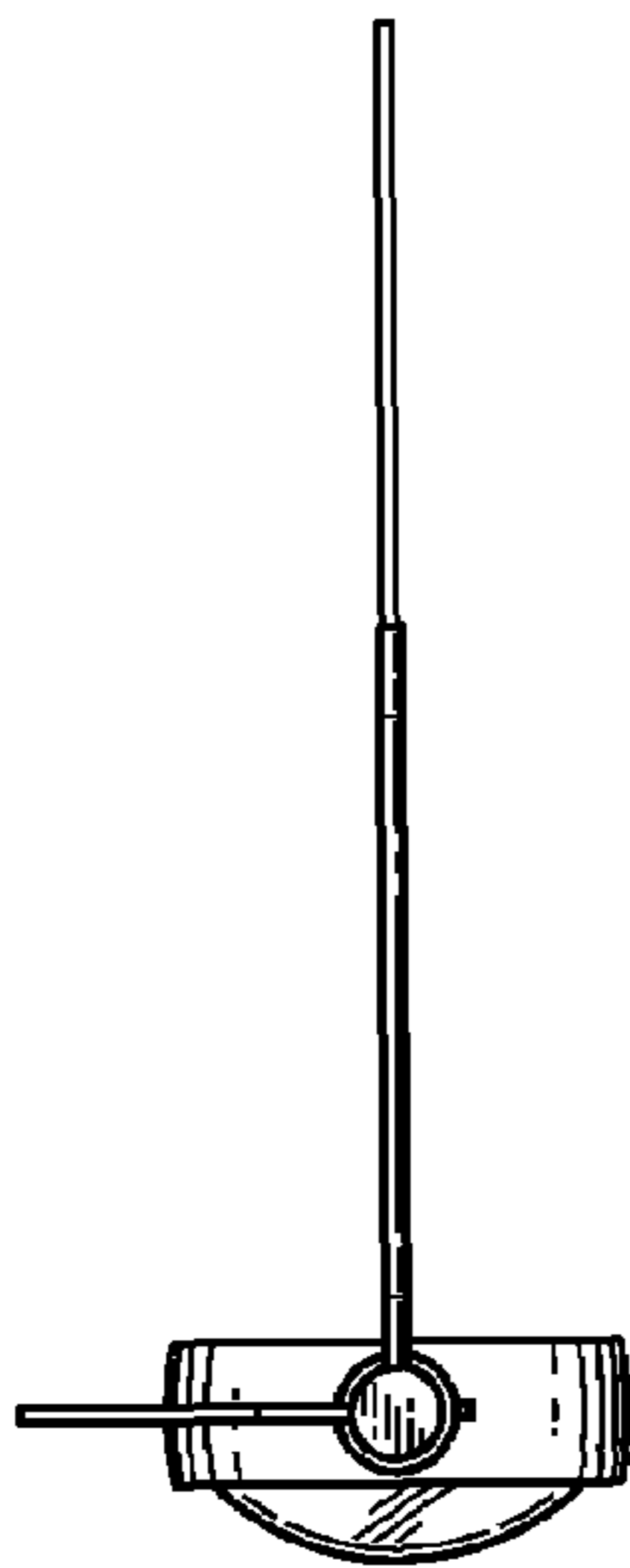


FIG. 3

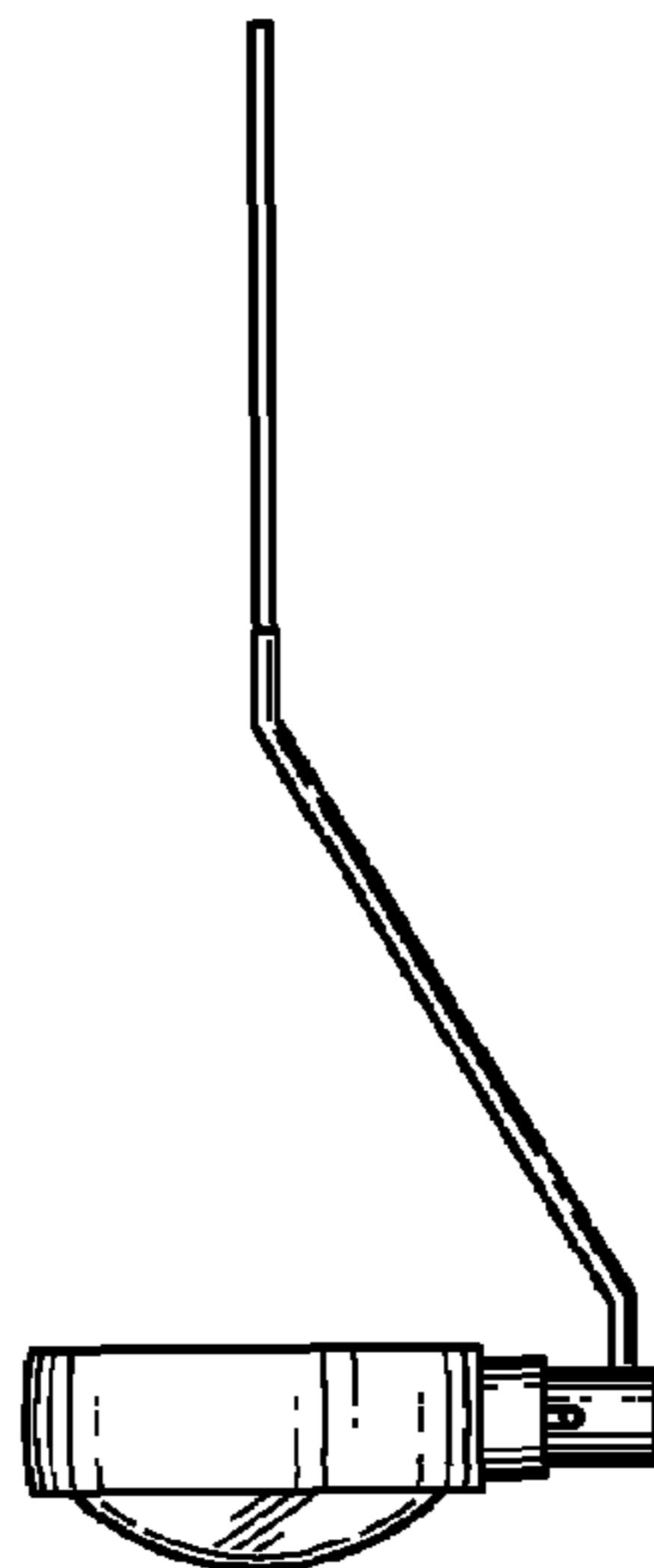


FIG. 4

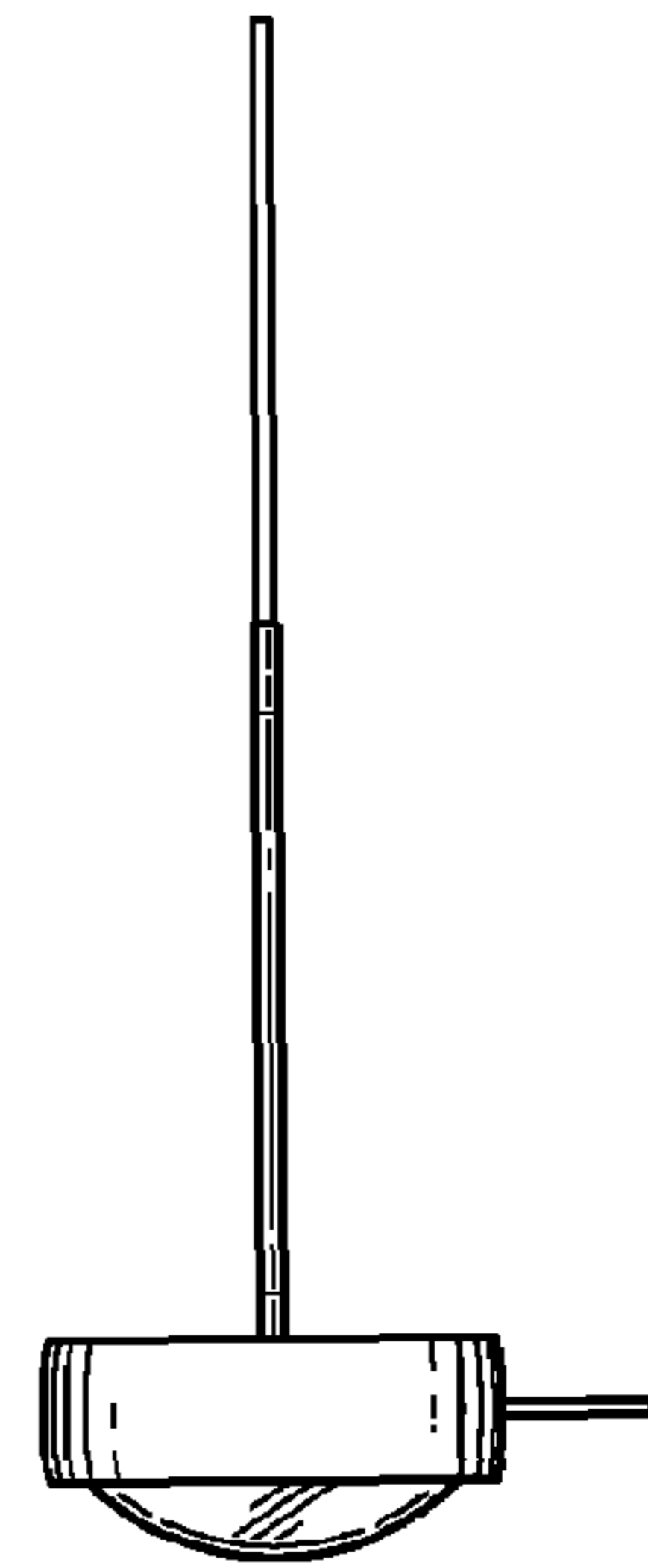


FIG. 5

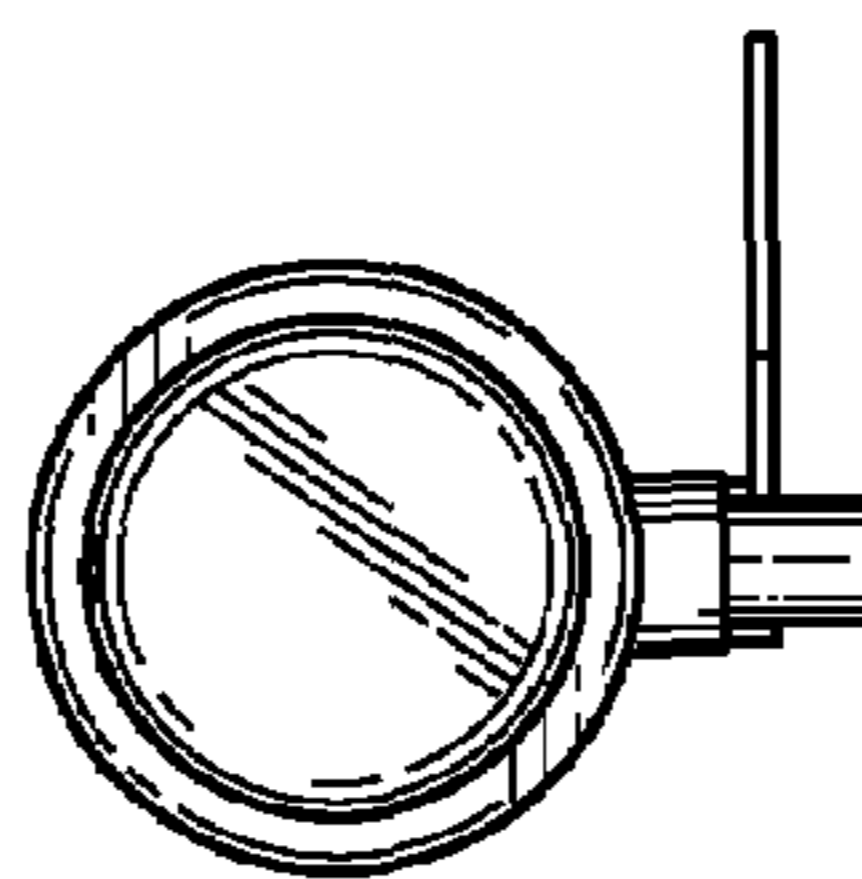


FIG. 6

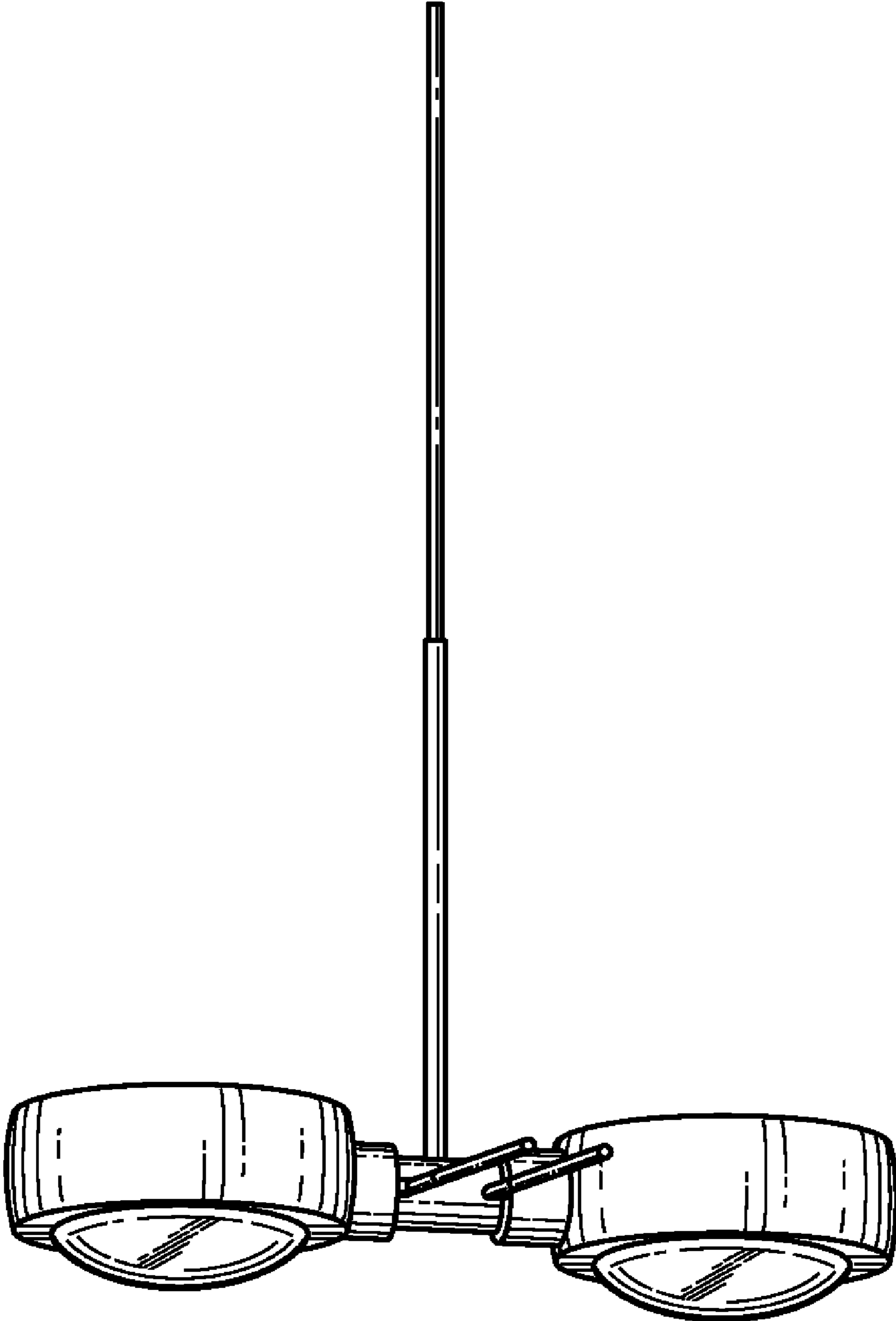


FIG. 7

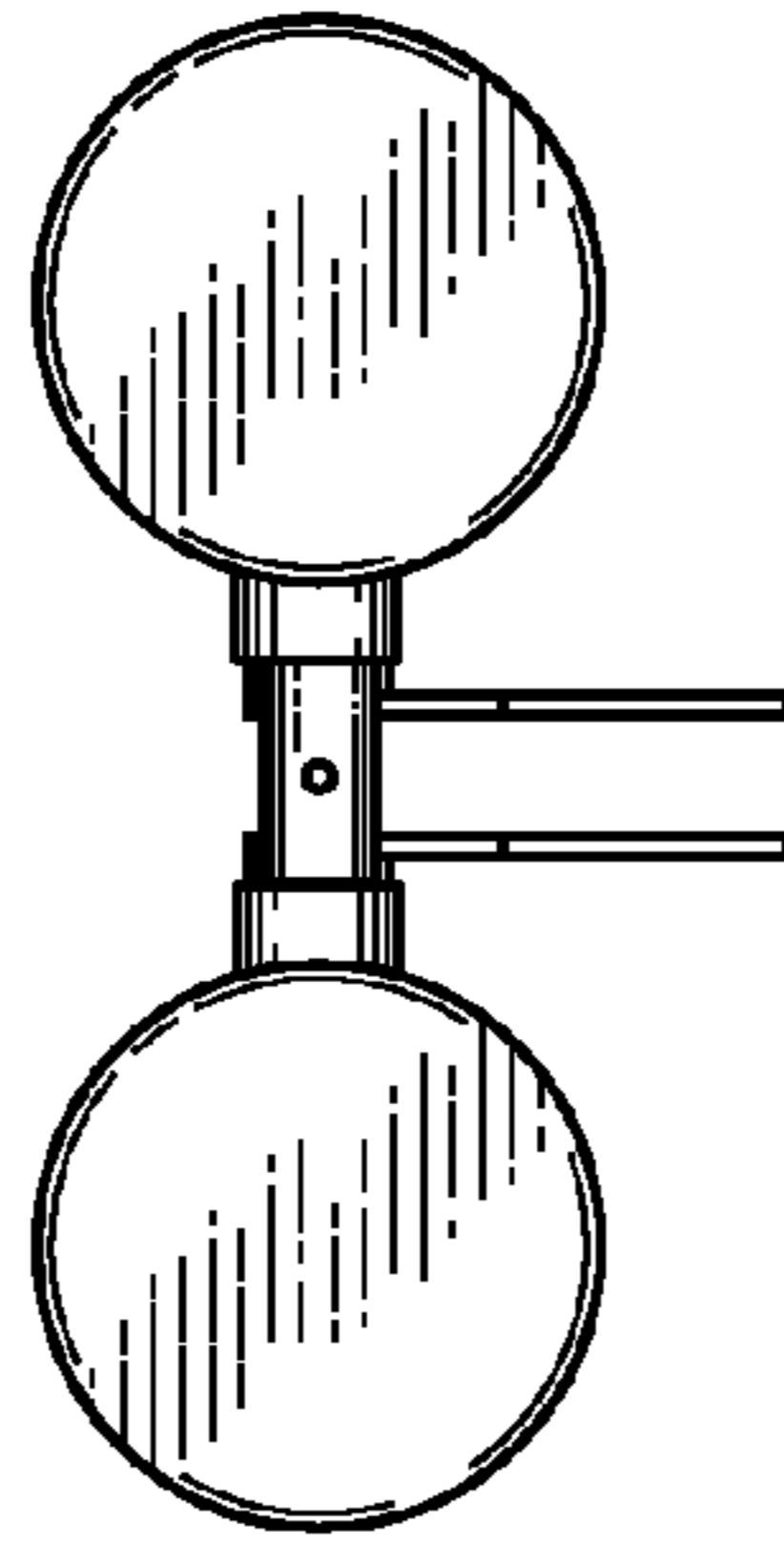


FIG. 8

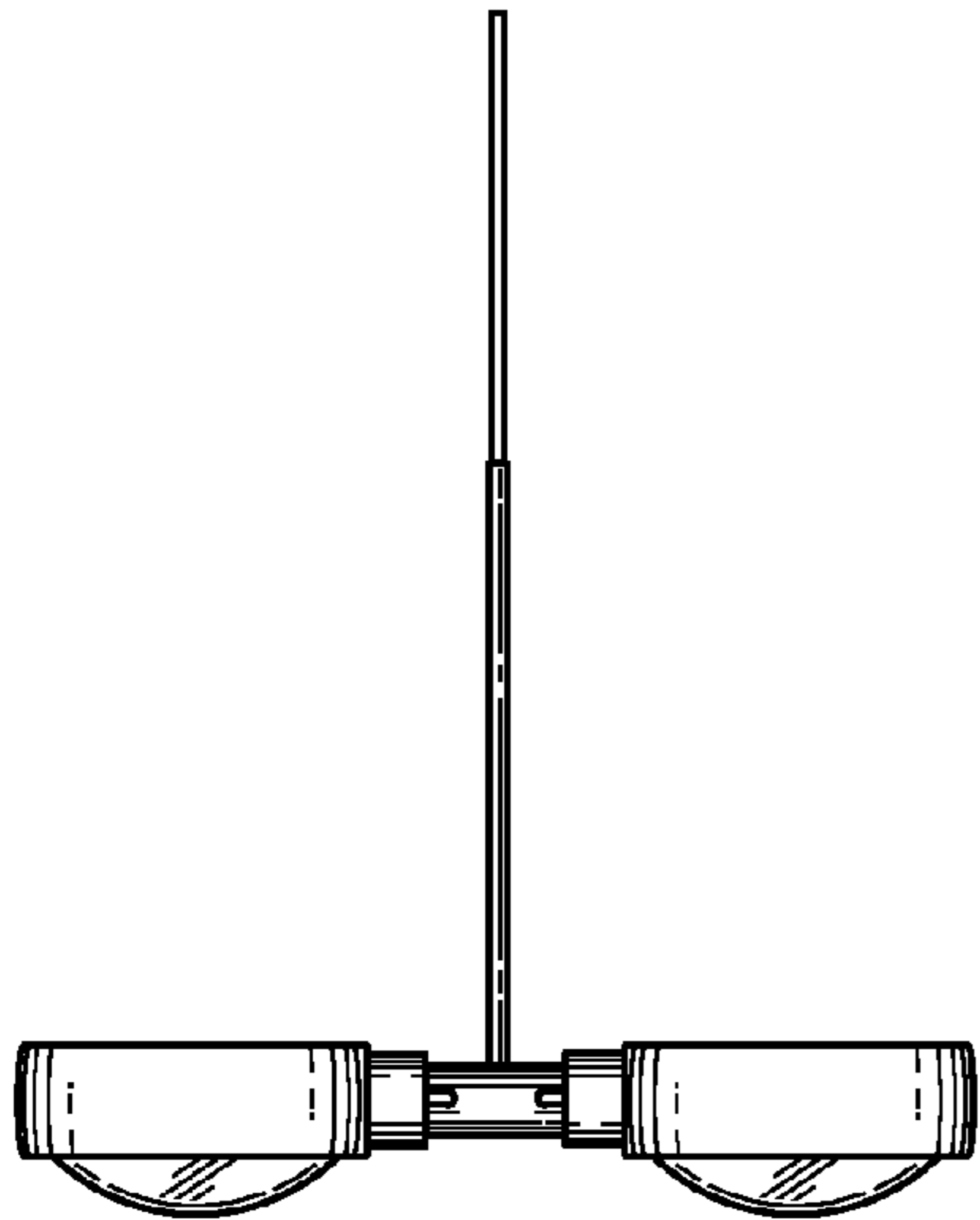


FIG. 9

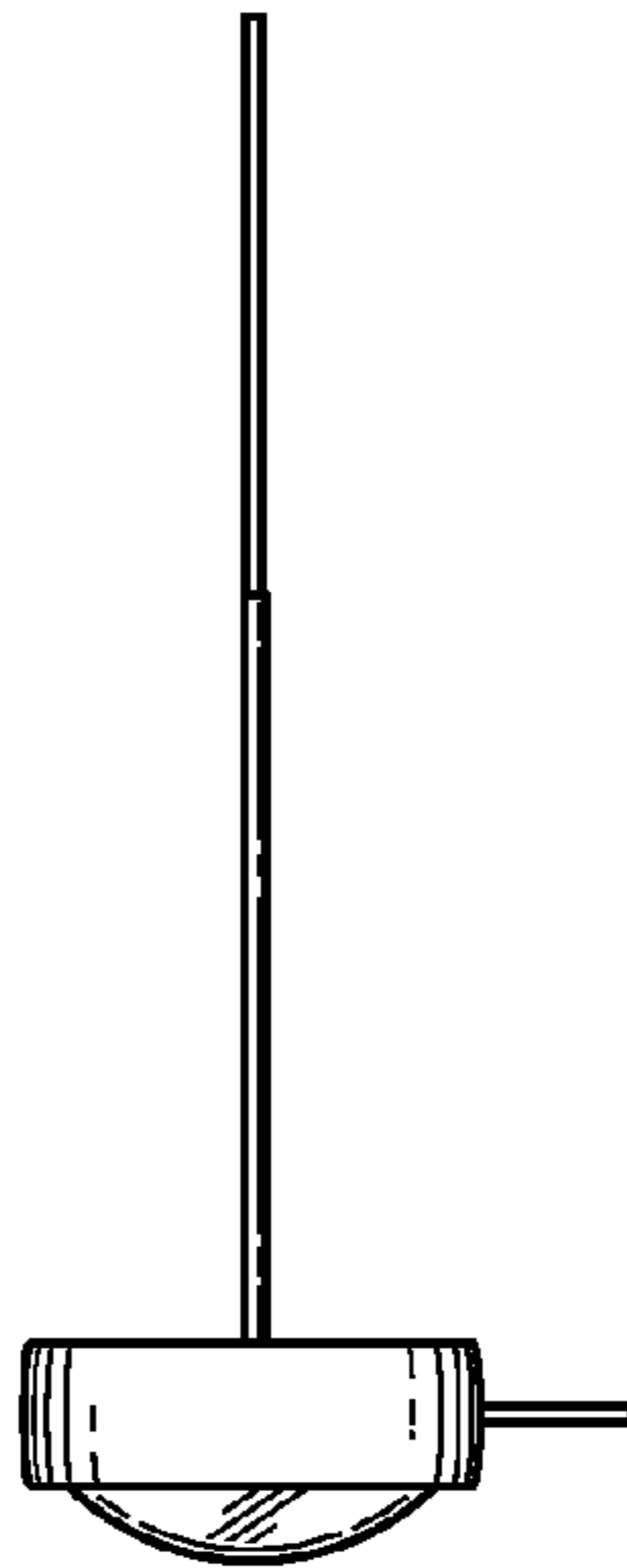


FIG. 10

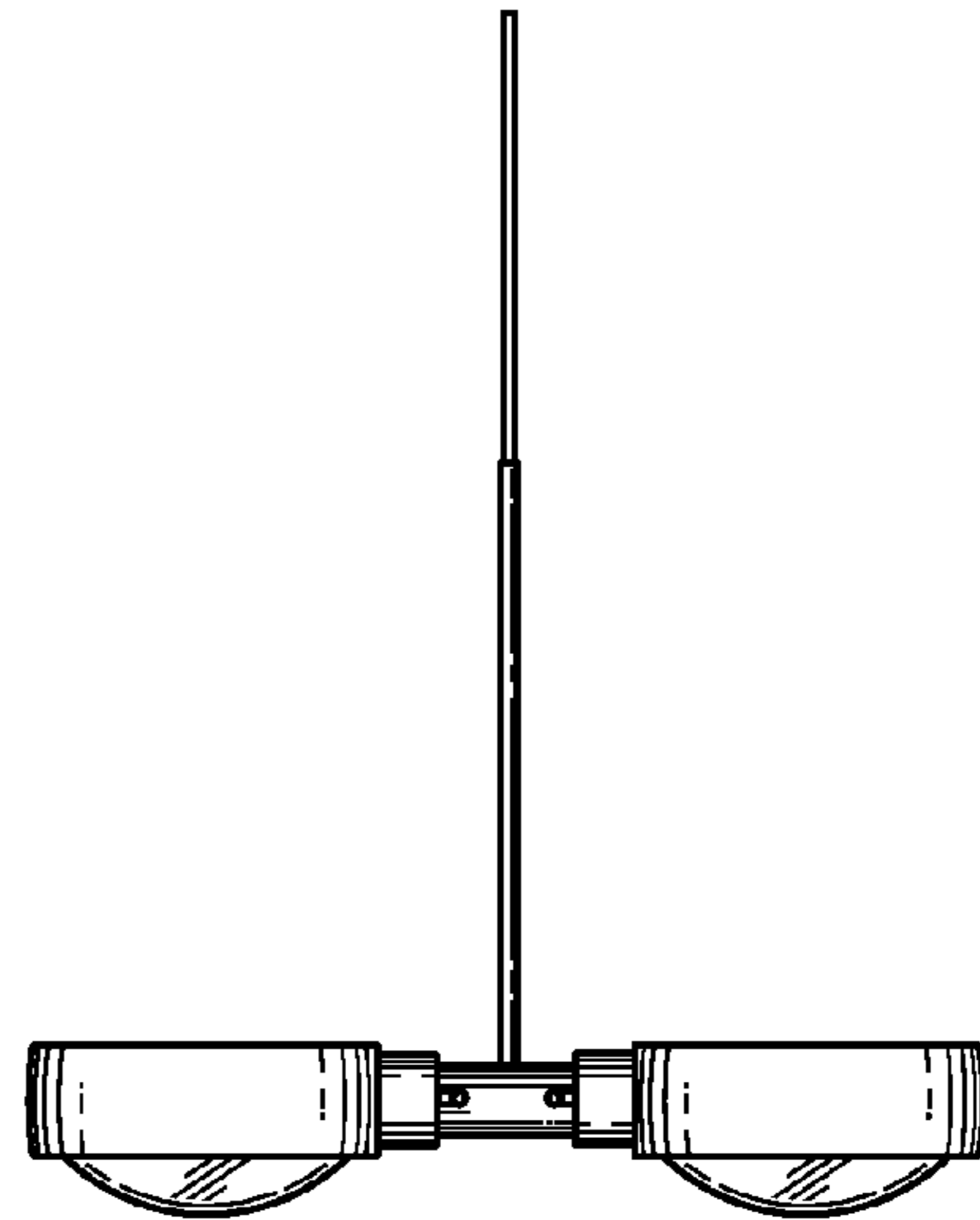


FIG. 11

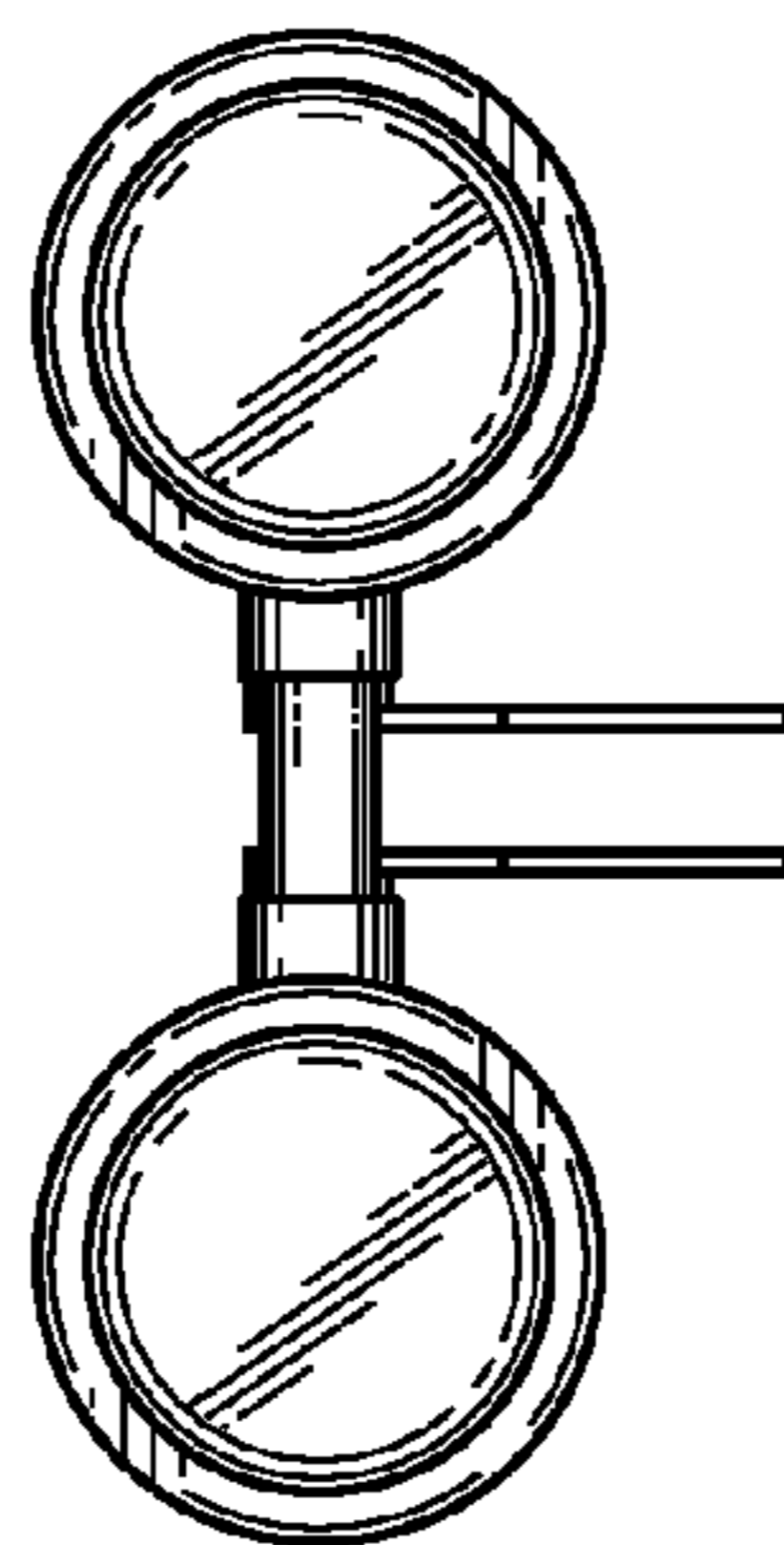


FIG. 12