



US00D565778S

(12) **United States Design Patent**  
**Pedersen**

(10) **Patent No.:** **US D565,778 S**

(45) **Date of Patent:** **\*\* Apr. 1, 2008**

(54) **LIGHTING FIXTURE**

(75) Inventor: **William Pedersen**, New York, NY (US)

(73) Assignee: **Ivalo Lighting Inc.**, Coopersburg, PA (US)

(\*\*) Term: **14 Years**

(21) Appl. No.: **29/228,456**

(22) Filed: **Apr. 21, 2005**

(51) **LOC (8) Cl.** ..... **26-03**

(52) **U.S. Cl.** ..... **D26/84; D26/90**

(58) **Field of Classification Search** ..... D26/71,  
D26/72, 80-82, 84-86, 88, 90, 91; 362/147,  
362/404-408

See application file for complete search history.

(56) **References Cited**

**U.S. PATENT DOCUMENTS**

D331,987 S *	12/1992	Dieperink et al. ....	D26/109
D421,146 S *	2/2000	Poulton .....	D26/76
6,161,939 A *	12/2000	Bansbach .....	362/223
D446,333 S *	8/2001	Frois .....	D26/76
D452,030 S *	12/2001	Collver .....	D26/76
6,386,723 B1 *	5/2002	Eberlein et al. ....	362/33
D465,049 S *	10/2002	Ludwig .....	D26/78
D466,244 S *	11/2002	Lewis et al. ....	D26/76
D511,221 S *	11/2005	Zucker .....	D26/76

\* cited by examiner

*Primary Examiner*—Clare E Heflin

(74) *Attorney, Agent, or Firm*—Ostrolenk, Faber, Gerb & Soffen, LLP

(57) **CLAIM**

The design for a lighting fixture, as shown and described.

**DESCRIPTION**

FIG. 1 is a top isometric view of a lighting fixture showing a first embodiment of the new design;

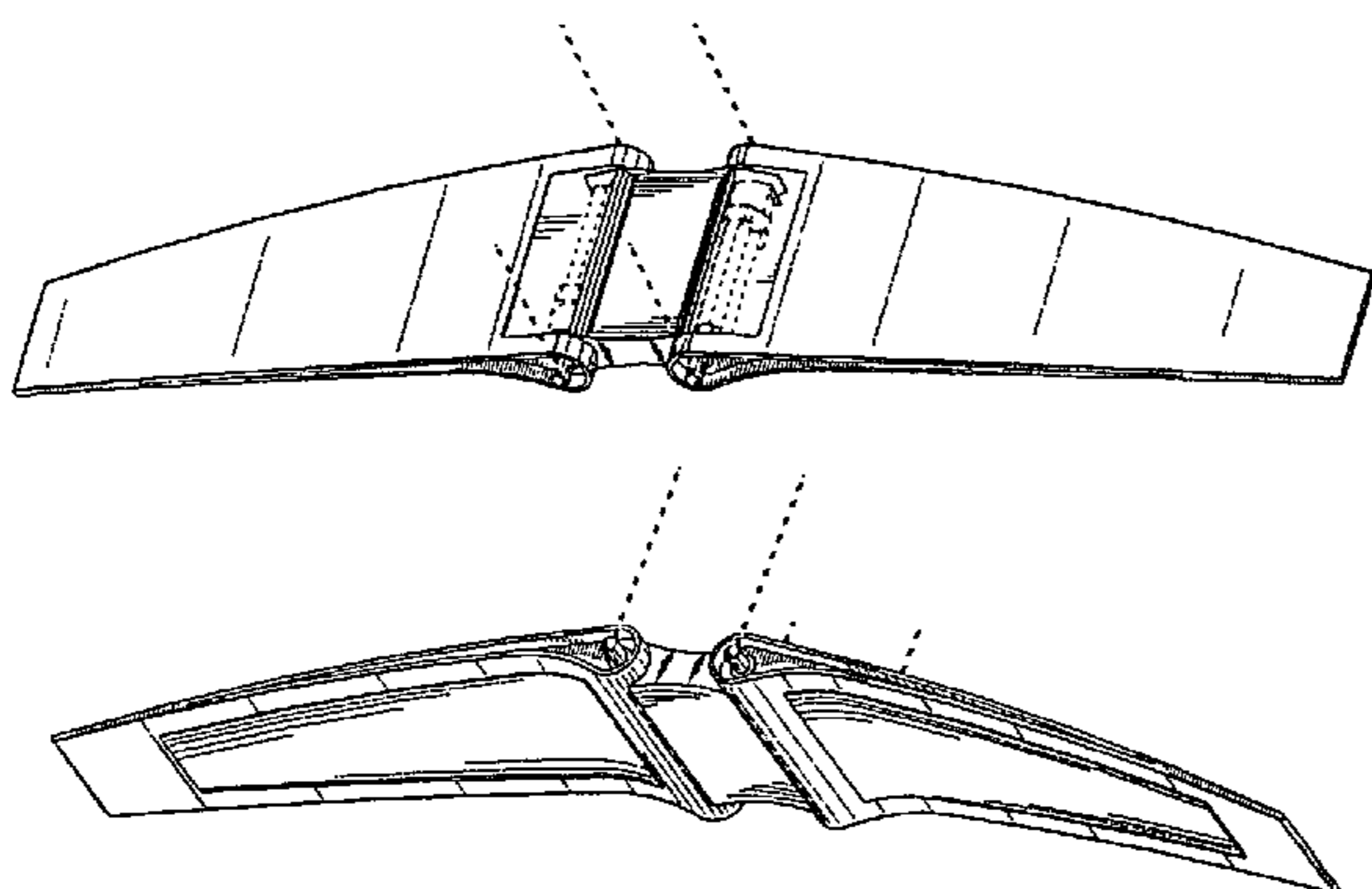


FIG. 2 is a bottom isometric view thereof;

FIG. 3 is a front elevation view thereof;

FIG. 4 is a right side elevation view thereof;

FIG. 5 is a top plan view thereof;

FIG. 6 is a bottom plan view thereof;

FIG. 7 is a front elevation view of a lighting fixture showing a second embodiment of the new design;

FIG. 8 is a bottom isometric view thereof;

FIG. 9 is a front elevation view of a lighting fixture showing a third embodiment of the new design;

FIG. 10 is a front elevation view of lighting fixture showing a fourth embodiment of the new design;

FIG. 11 is a front elevation view of a lighting fixture showing a fifth embodiment of the new design;

FIG. 12 is a front elevation view of a lighting fixture showing a sixth embodiment of the new design;

FIG. 13 is a bottom isometric view thereof;

FIG. 14 is a front elevation view of a lighting fixture showing a seventh embodiment of the new design;

FIG. 15 is a front elevation view of a lighting fixture showing of an eighth embodiment of the new design;

FIG. 16 is a top isometric view of a lighting fixture showing a ninth embodiment of the new design; and,

FIG. 17 is a bottom isometric view of a lighting fixture showing a tenth embodiment of the new design.

The broken lines shown on the drawings are for illustrative purposes only and form no part of the claimed design.

**1 Claim, 10 Drawing Sheets**

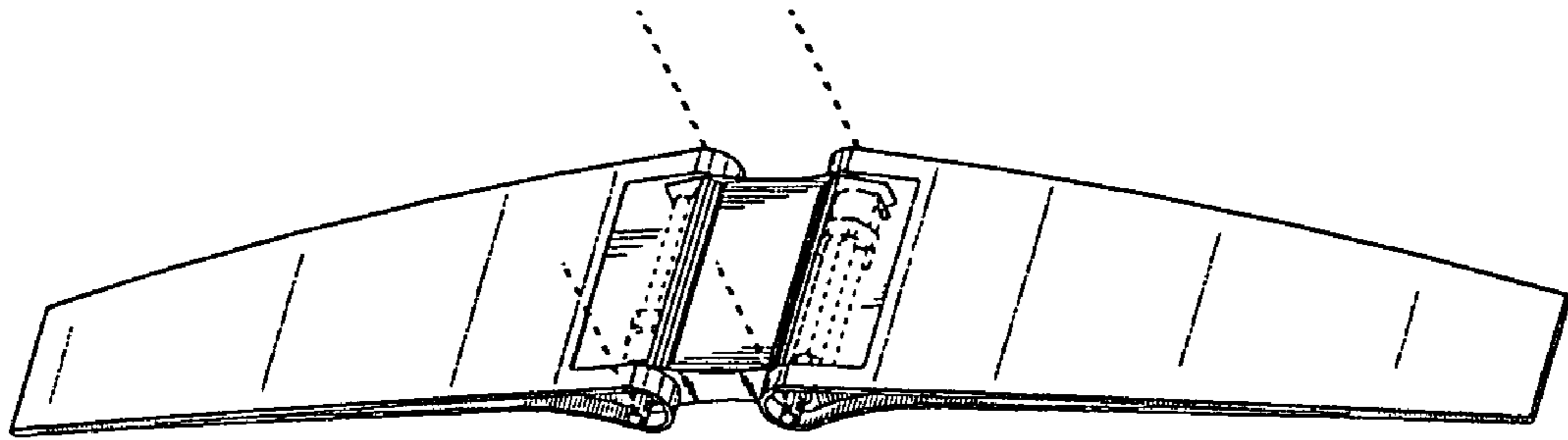


FIG. 1

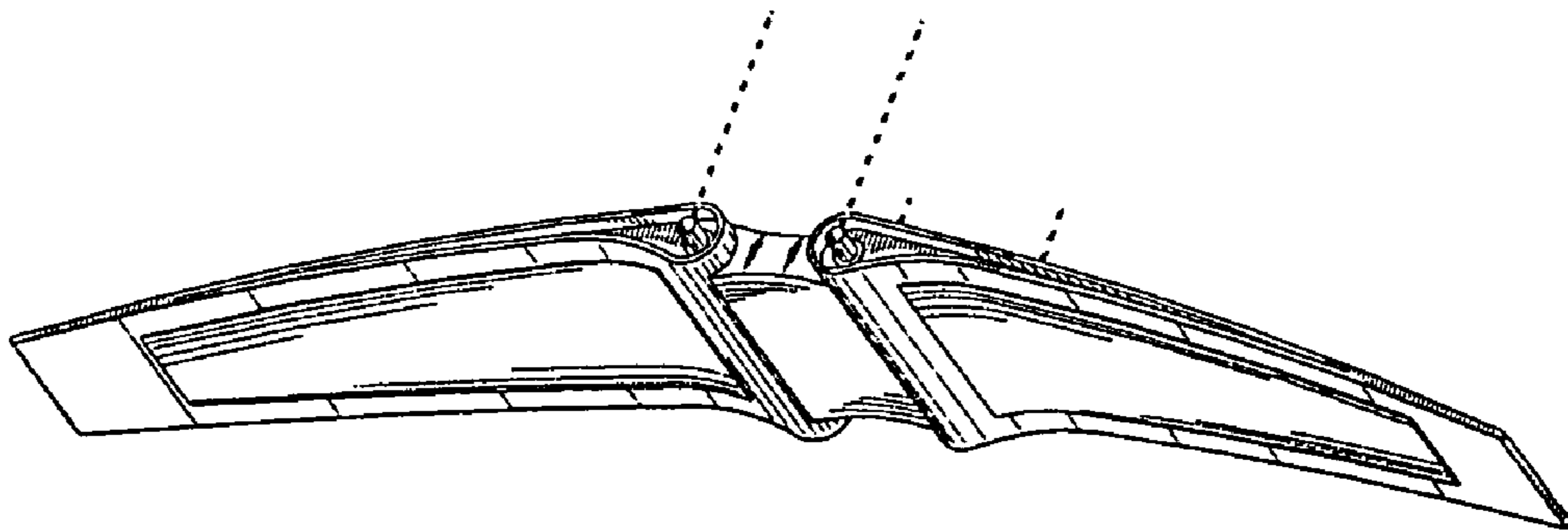


FIG. 2

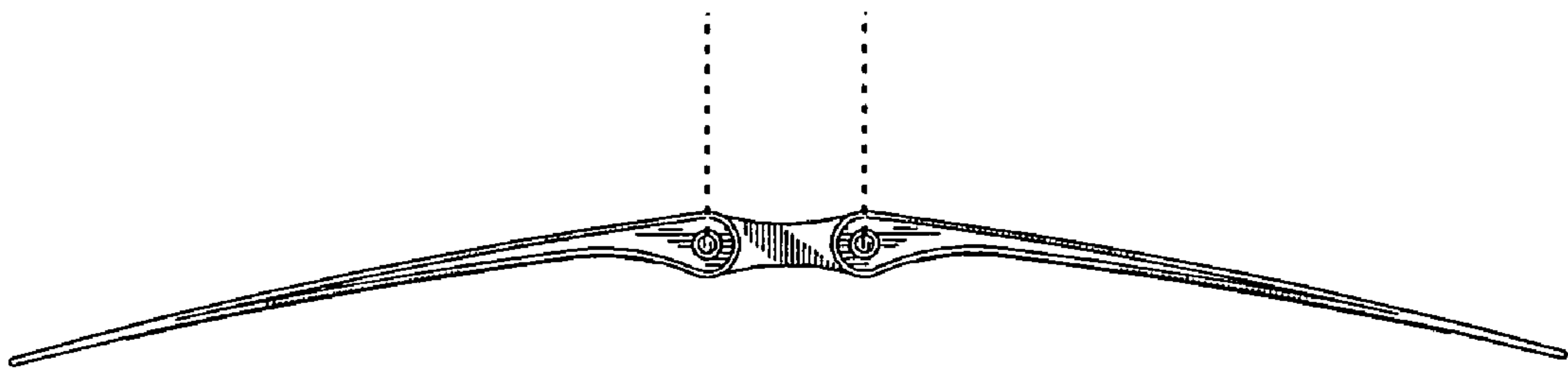


FIG. 3

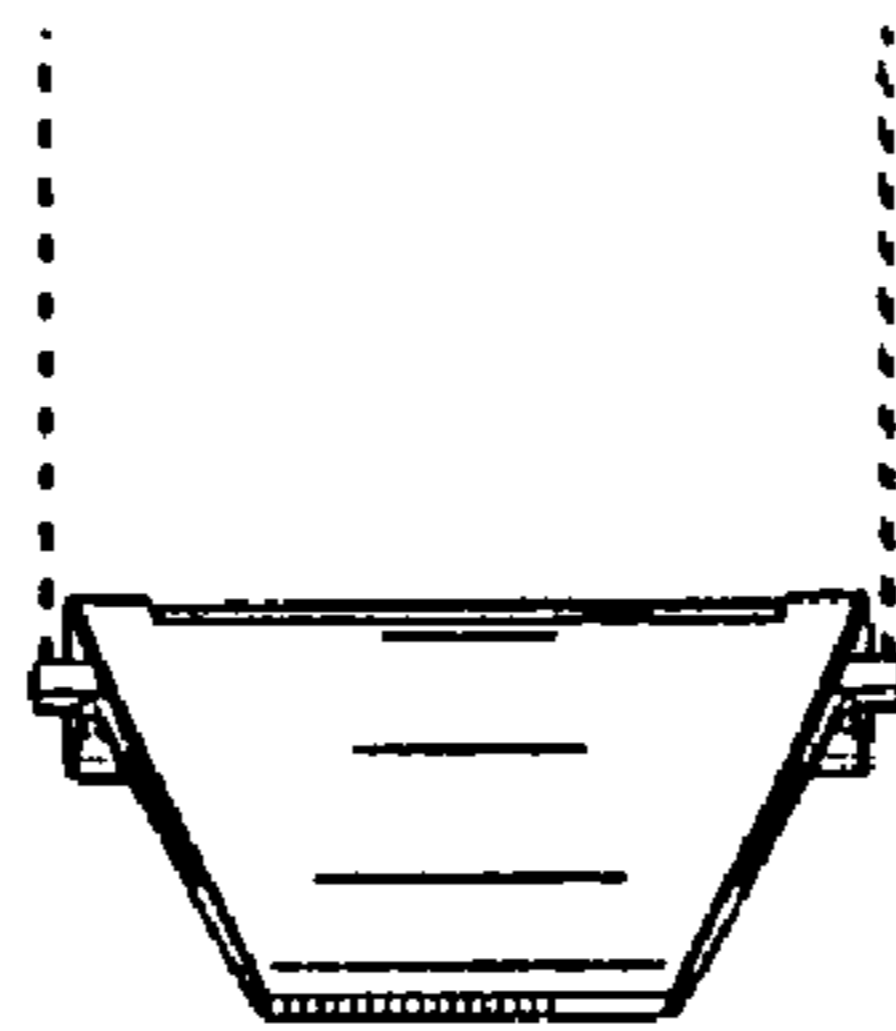


FIG. 4

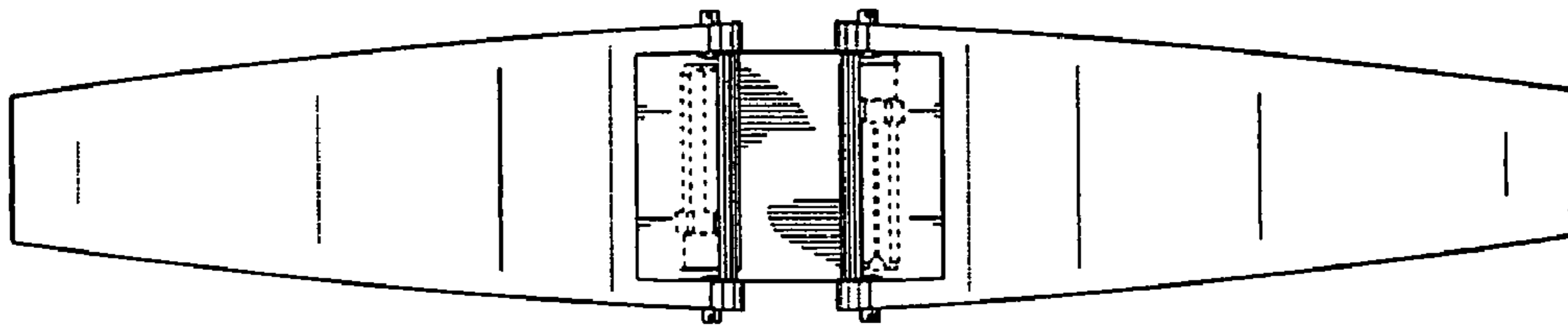


FIG. 5

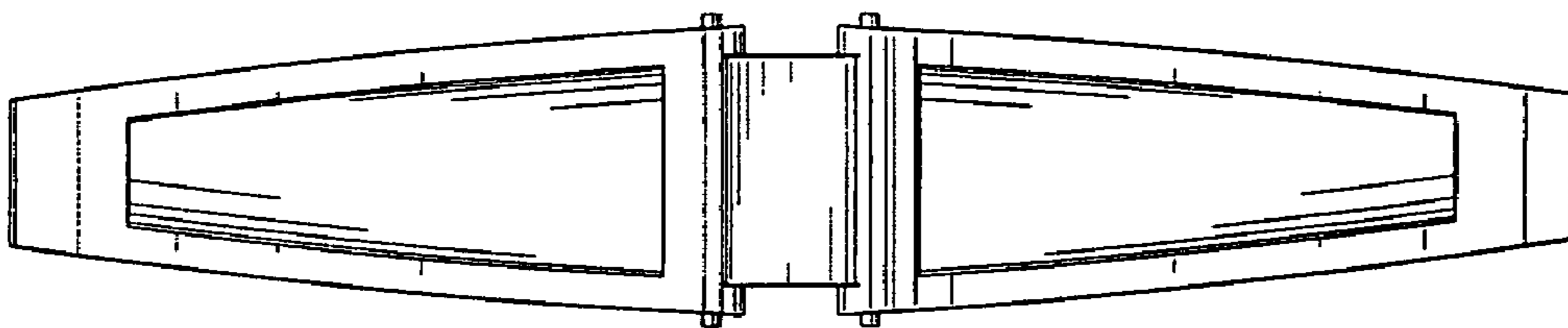


FIG. 6

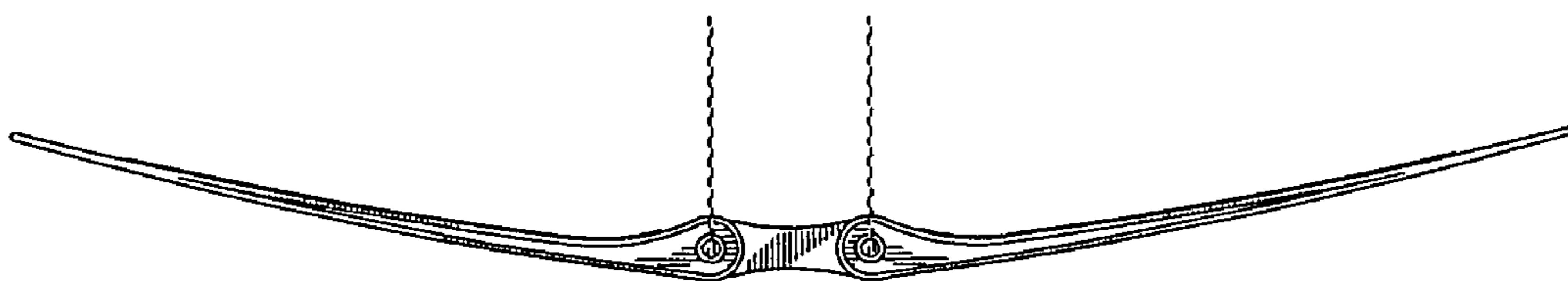


FIG. 7

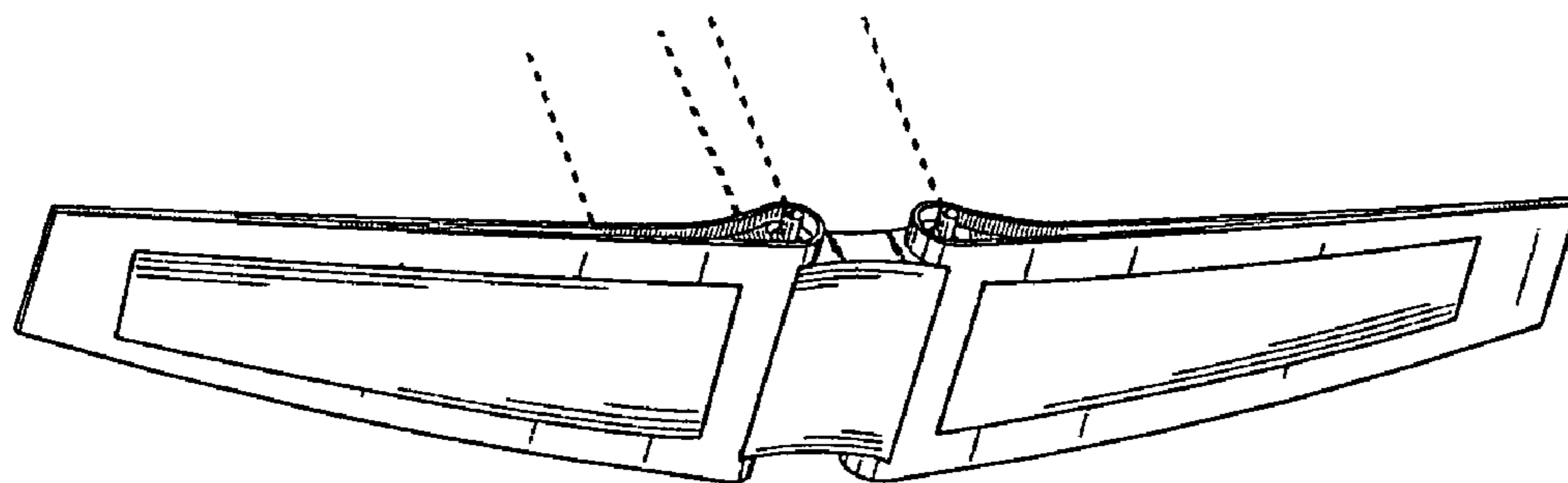


FIG. 8

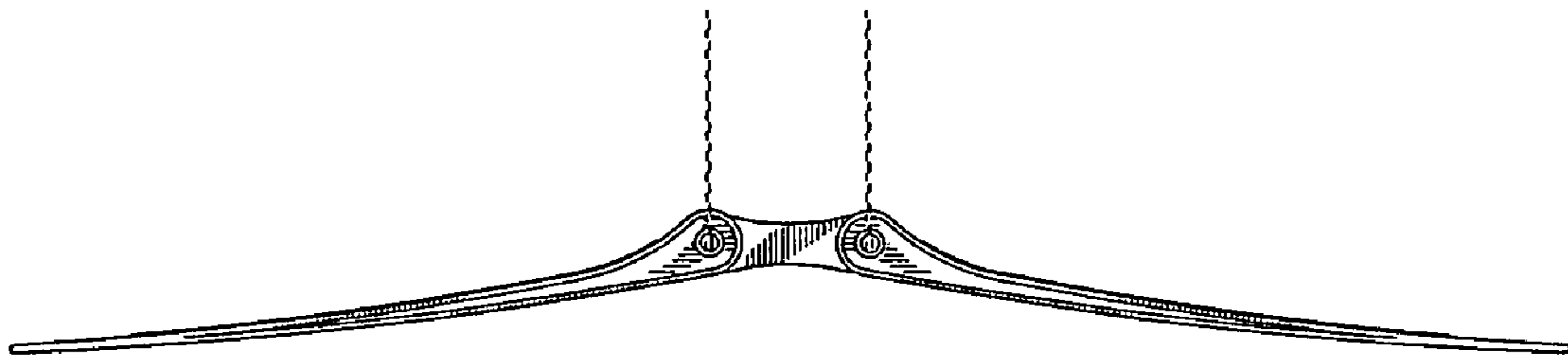


FIG. 9

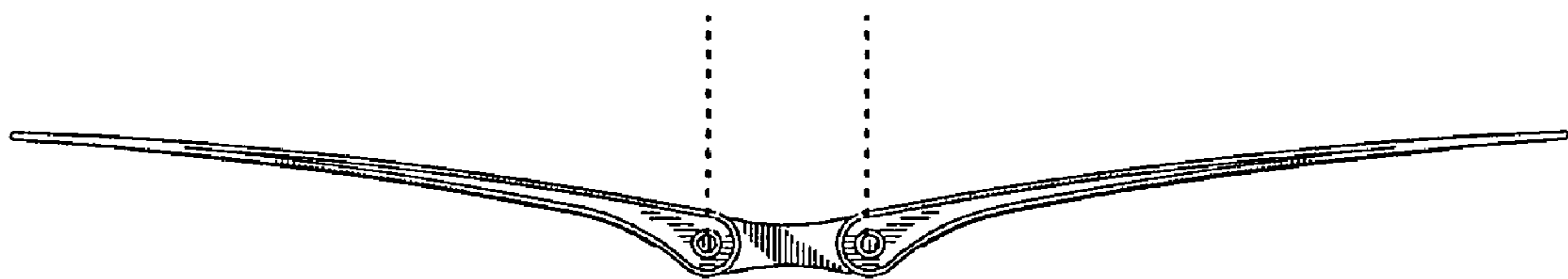


FIG. 10

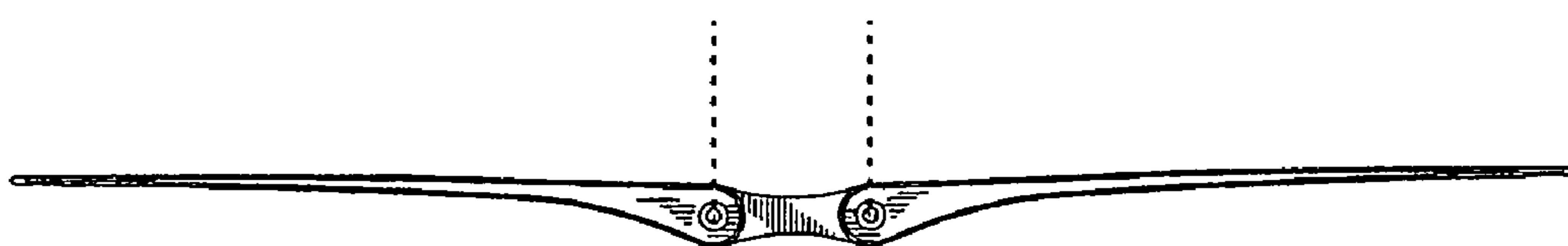


FIG. 11

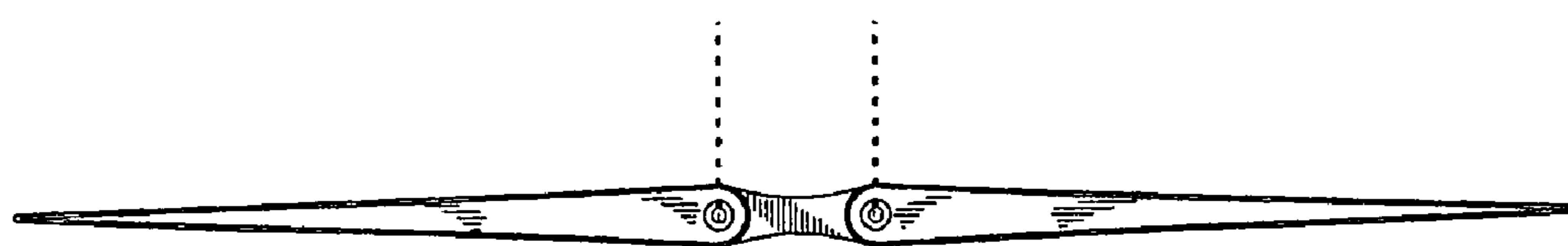


FIG. 12

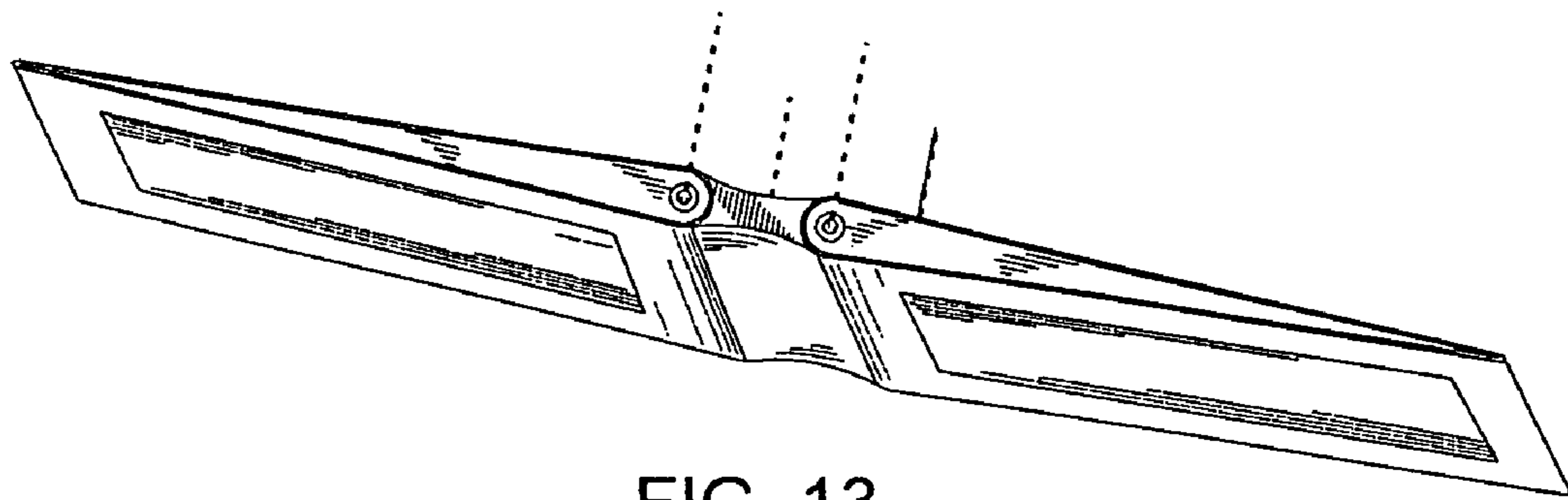


FIG. 13

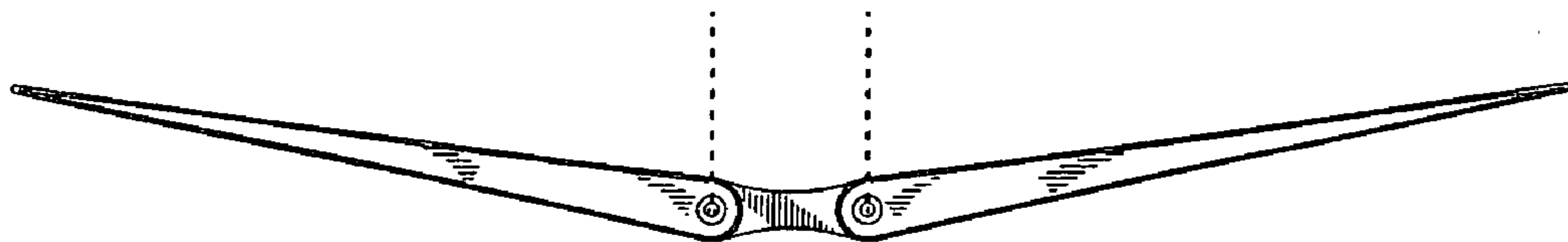


FIG. 14



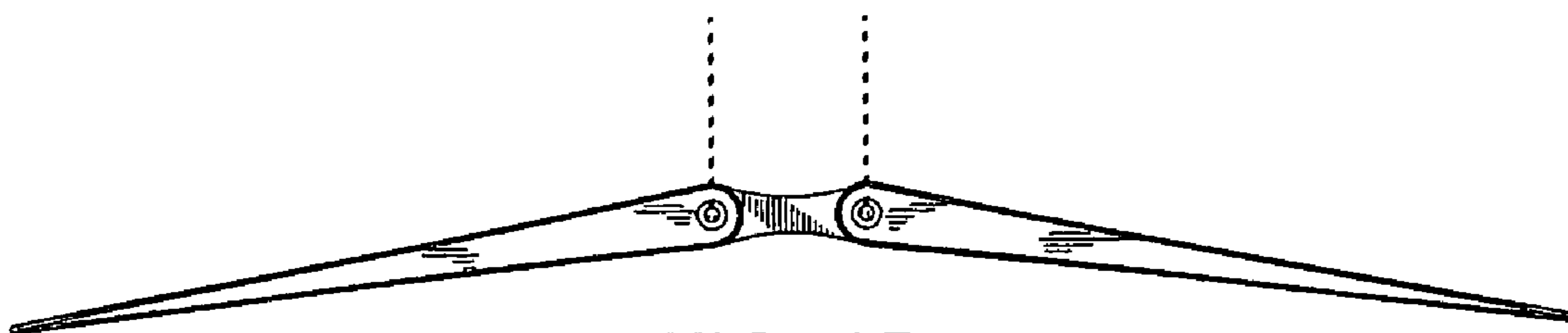


FIG. 15

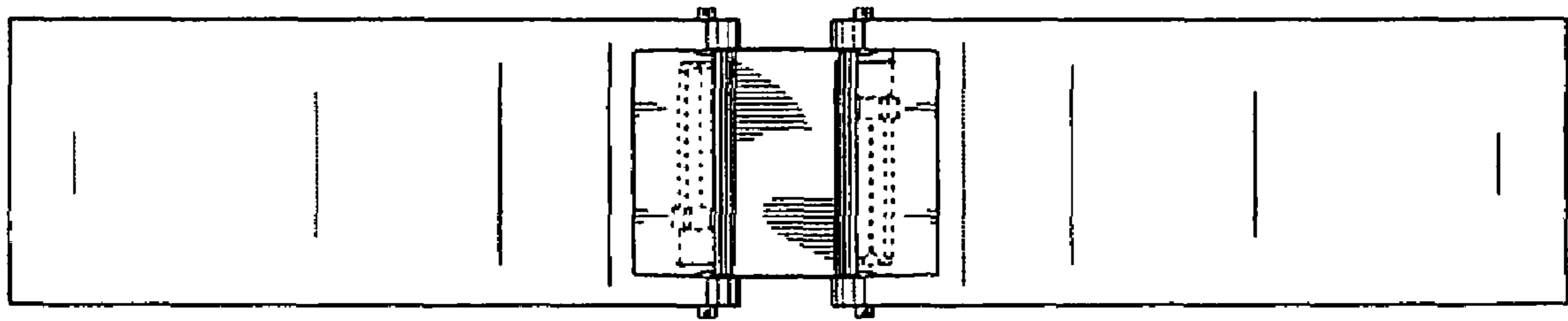


FIG. 16

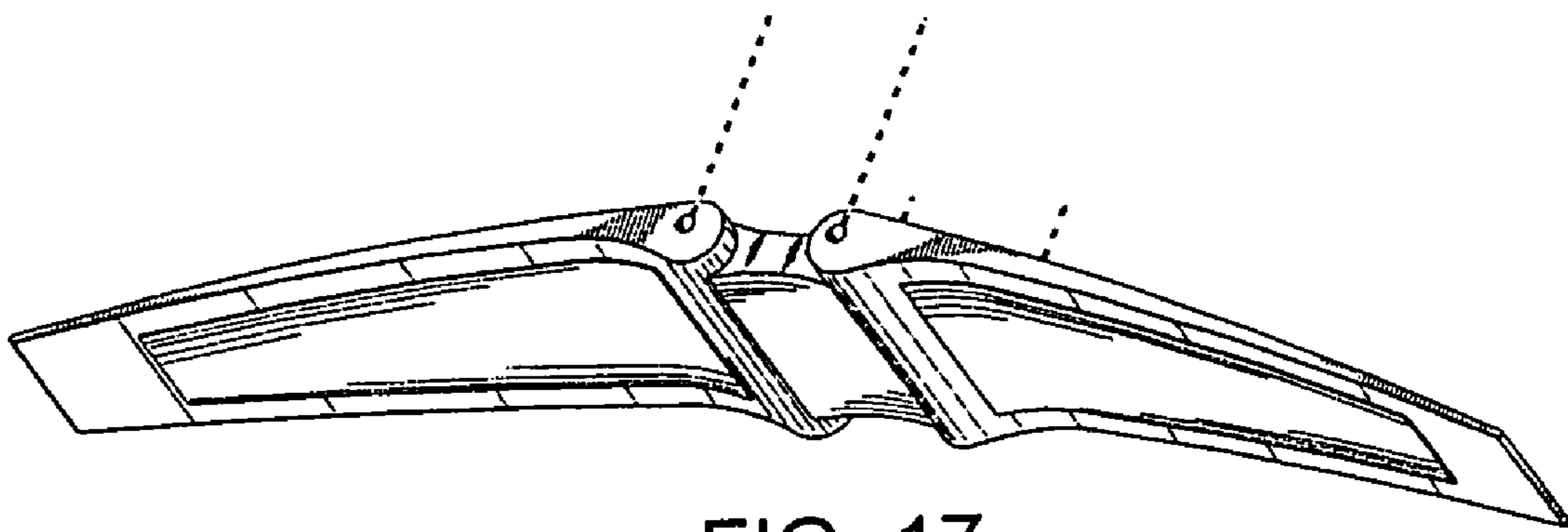


FIG. 17