

US00D565777S

(12) **United States Design Patent**
Hsu

(10) **Patent No.:** **US D565,777 S**

(45) **Date of Patent:** **** Apr. 1, 2008**

(54) **PENDENT LAMP**

(75) Inventor: **Keen Hsu**, Taichung (TW)

(73) Assignee: **Dong Guan Bright Yinhuey Lighting Co., Ltd.**, Guang Dong (CN)

(**) Term: **14 Years**

(21) Appl. No.: **29/284,067**

(22) Filed: **Aug. 30, 2007**

(51) **LOC (8) Cl.** **26-03**

(52) **U.S. Cl.** **D26/81; D26/90**

(58) **Field of Classification Search** D26/72,
D26/80-86, 88-91; 362/147, 404-408

See application file for complete search history.

(56) **References Cited**

U.S. PATENT DOCUMENTS

D51,670 S *	1/1918	Adam	D26/81
D53,186 S *	4/1919	Von Lossberg	D26/81
D74,915 S *	4/1928	Boehringer	D26/81
D134,482 S *	12/1942	Ganger	D26/81
D348,322 S *	6/1994	Segill et al.	D26/81
D460,836 S *	7/2002	Swanson	D26/86
D539,960 S *	4/2007	Hsu	D26/81

OTHER PUBLICATIONS

Chandelier #I-2296-6-2 on p. 169 of the 2005 Savoy House Master Catalog.*

Chandeliers #F1943/6+3 ORB and #F1942/5 ORB on p. 150A of the Murray-Feiss 2005 catalog.*

* cited by examiner

Primary Examiner—Clare E Heflin

(74) *Attorney, Agent, or Firm*—Alan Kamrath; Kamrath & Associates PA

(57) **CLAIM**

The ornamental design for a pendent lamp, as shown and described.

DESCRIPTION

FIG. 1 is a front elevational view of a pendent lamp showing my design;

FIG. 2 is a rear elevational view thereof;

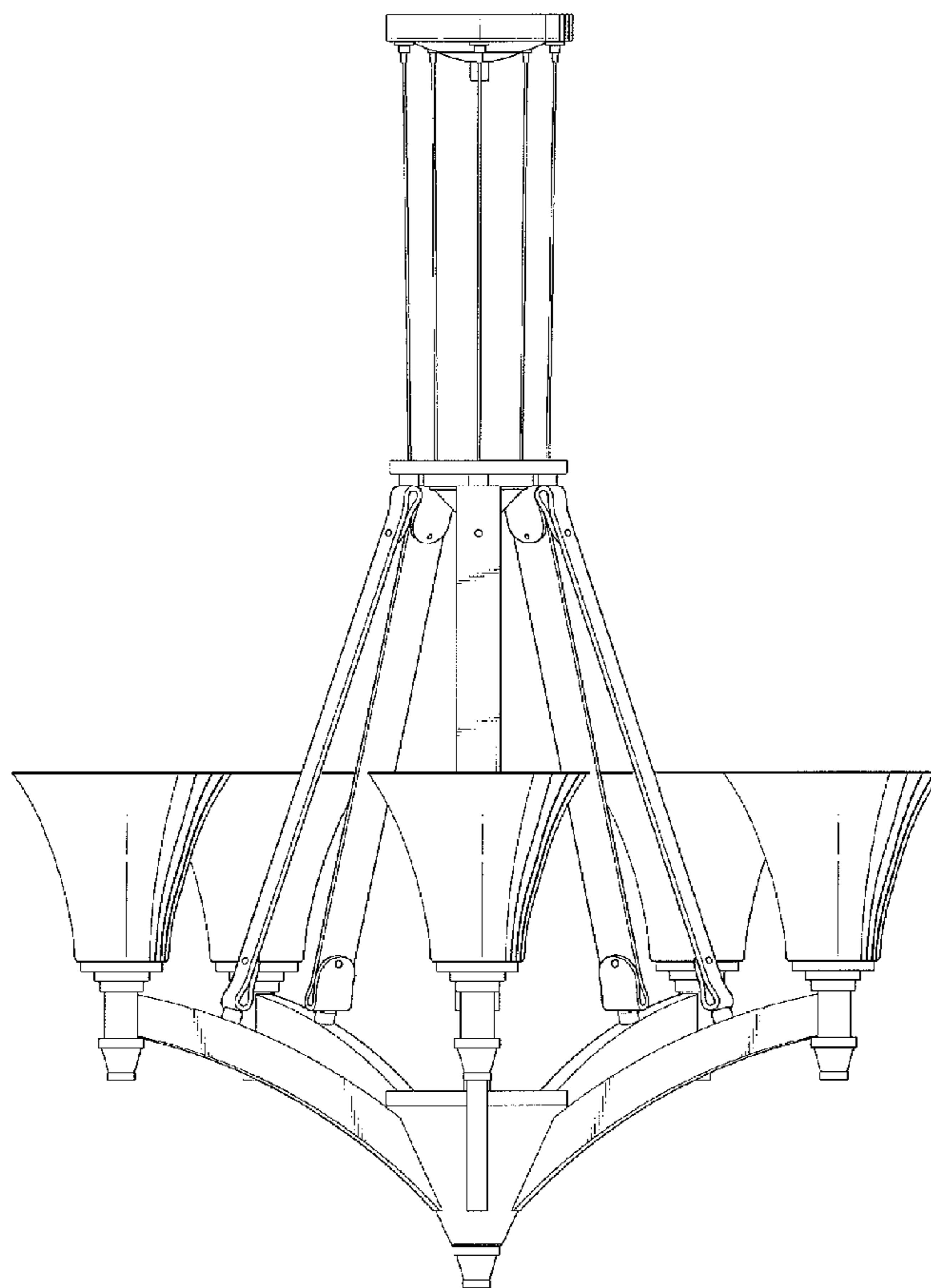
FIG. 3 is a left side elevational view thereof;

FIG. 4 is a right side elevational view thereof;

FIG. 5 is a top plan view thereof; and,

FIG. 6 is a bottom plan view thereof.

1 Claim, 6 Drawing Sheets



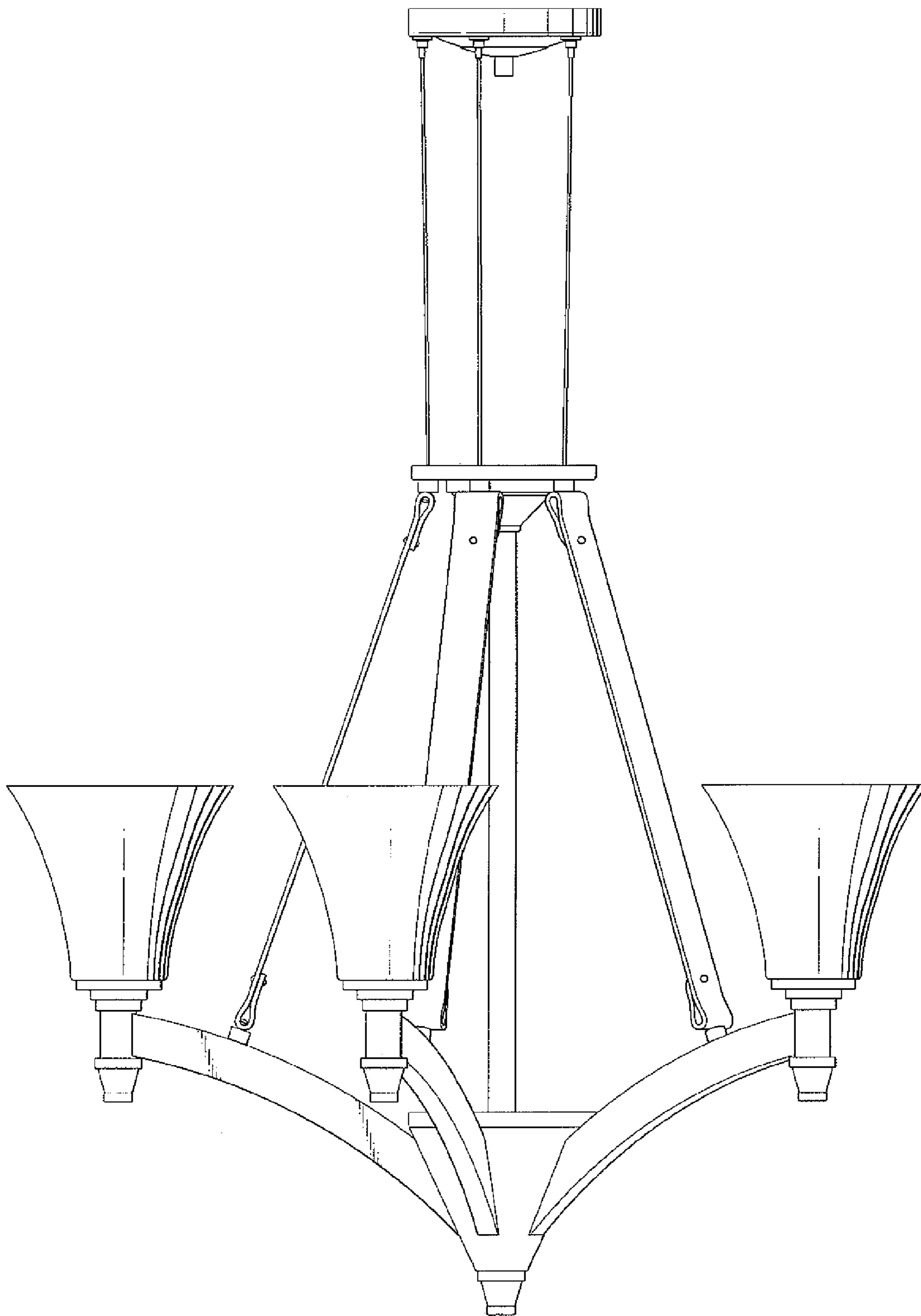


FIG. 1

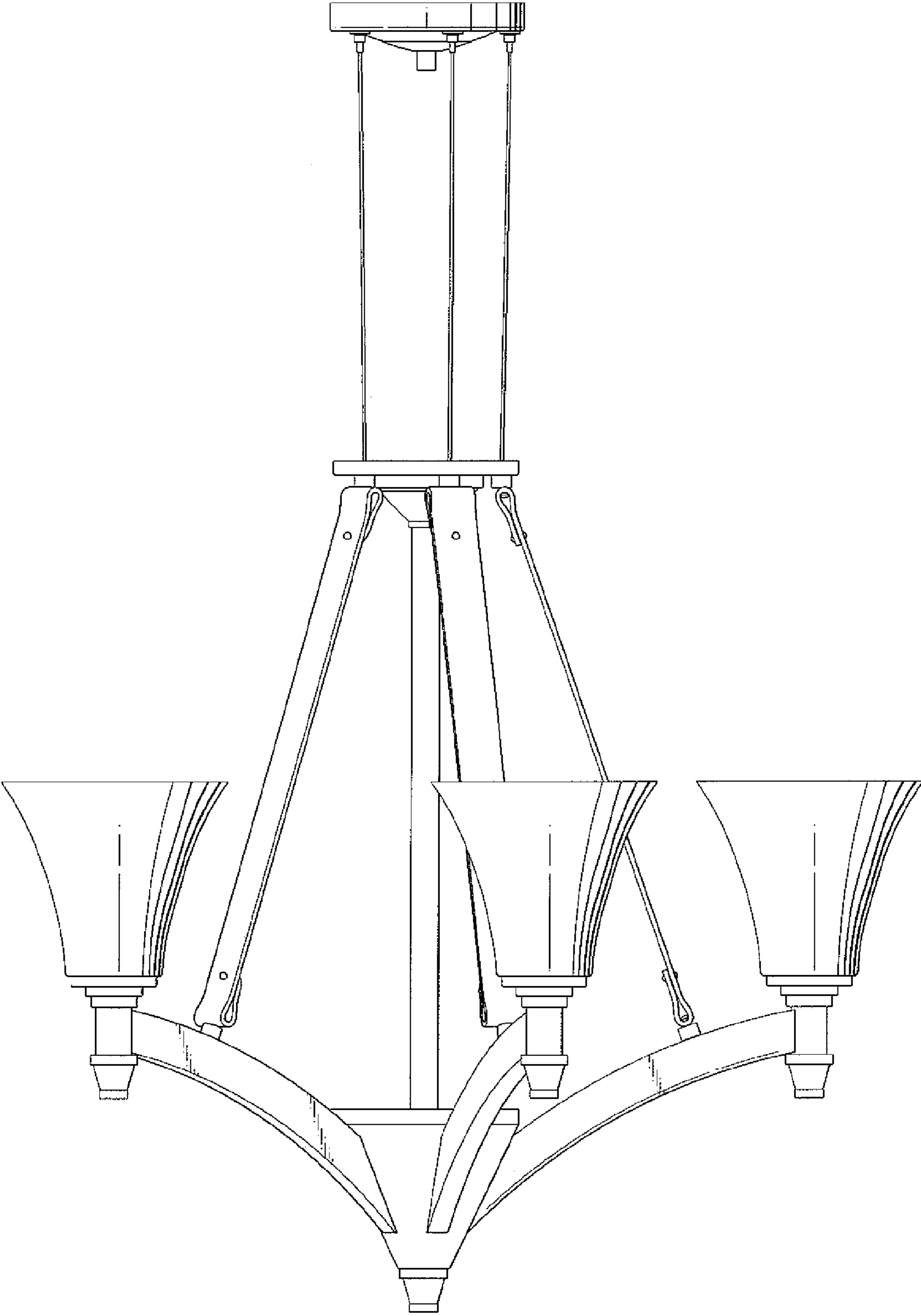


FIG. 2

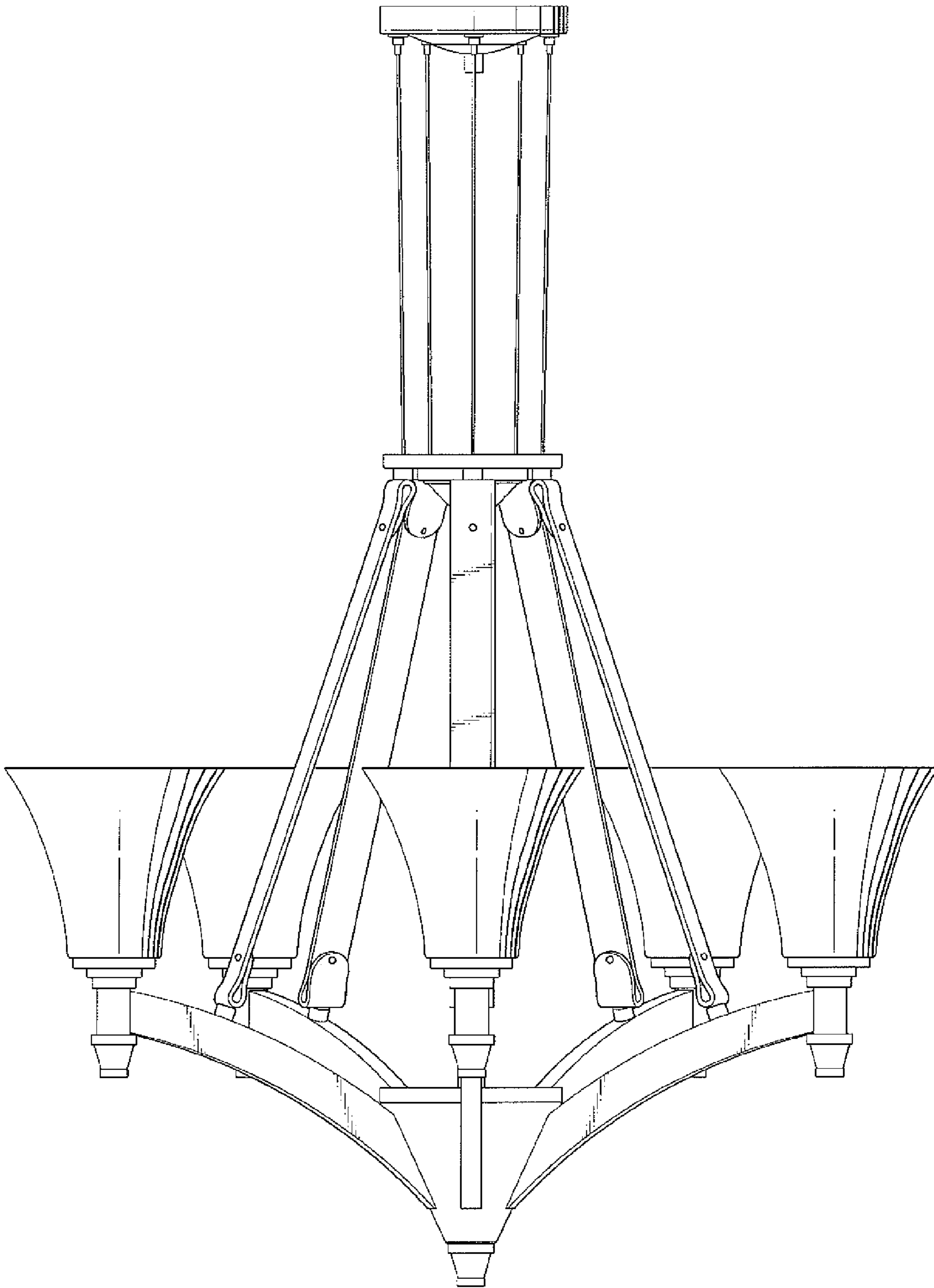


FIG. 3

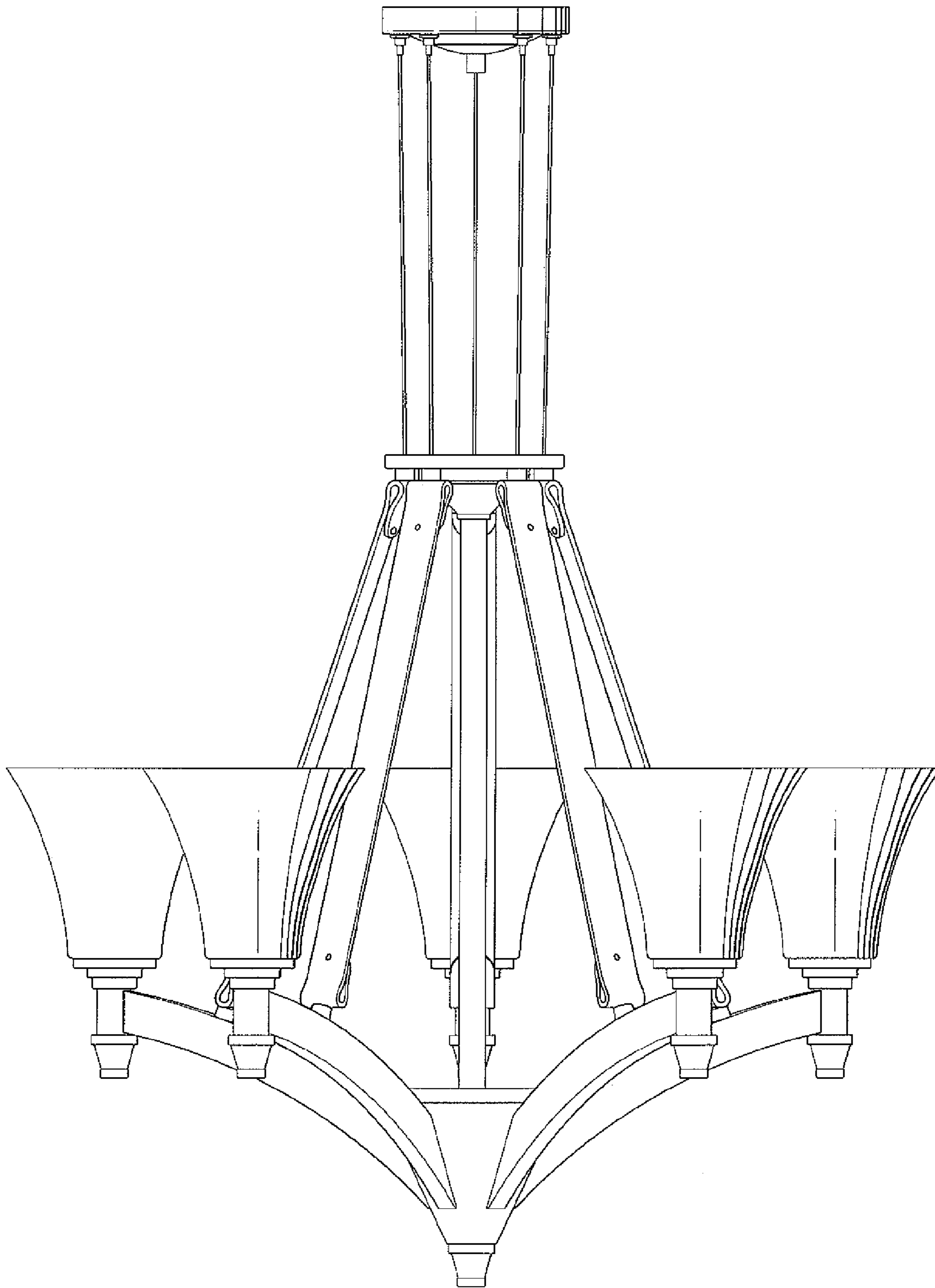


FIG. 4

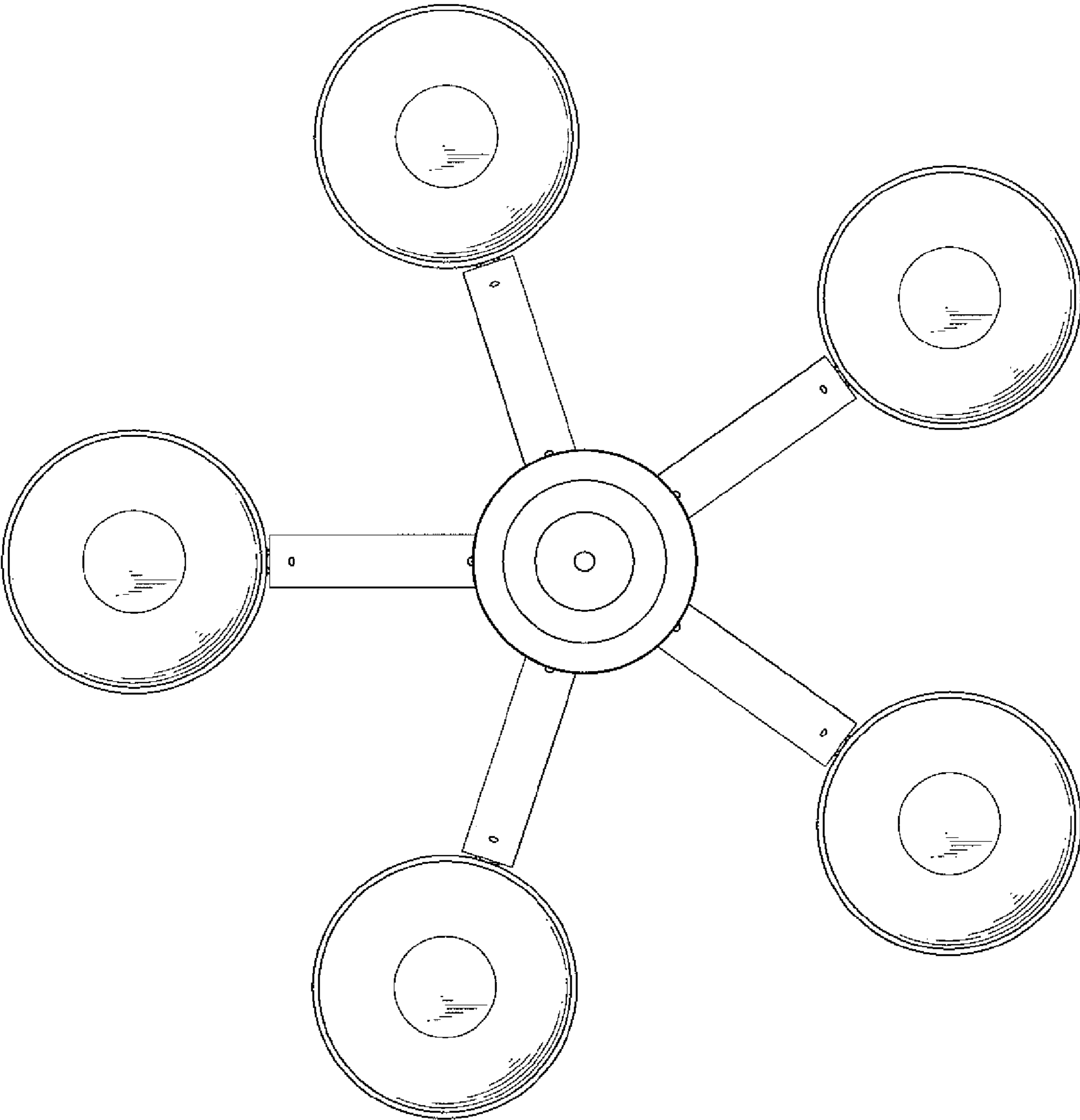


FIG. 5

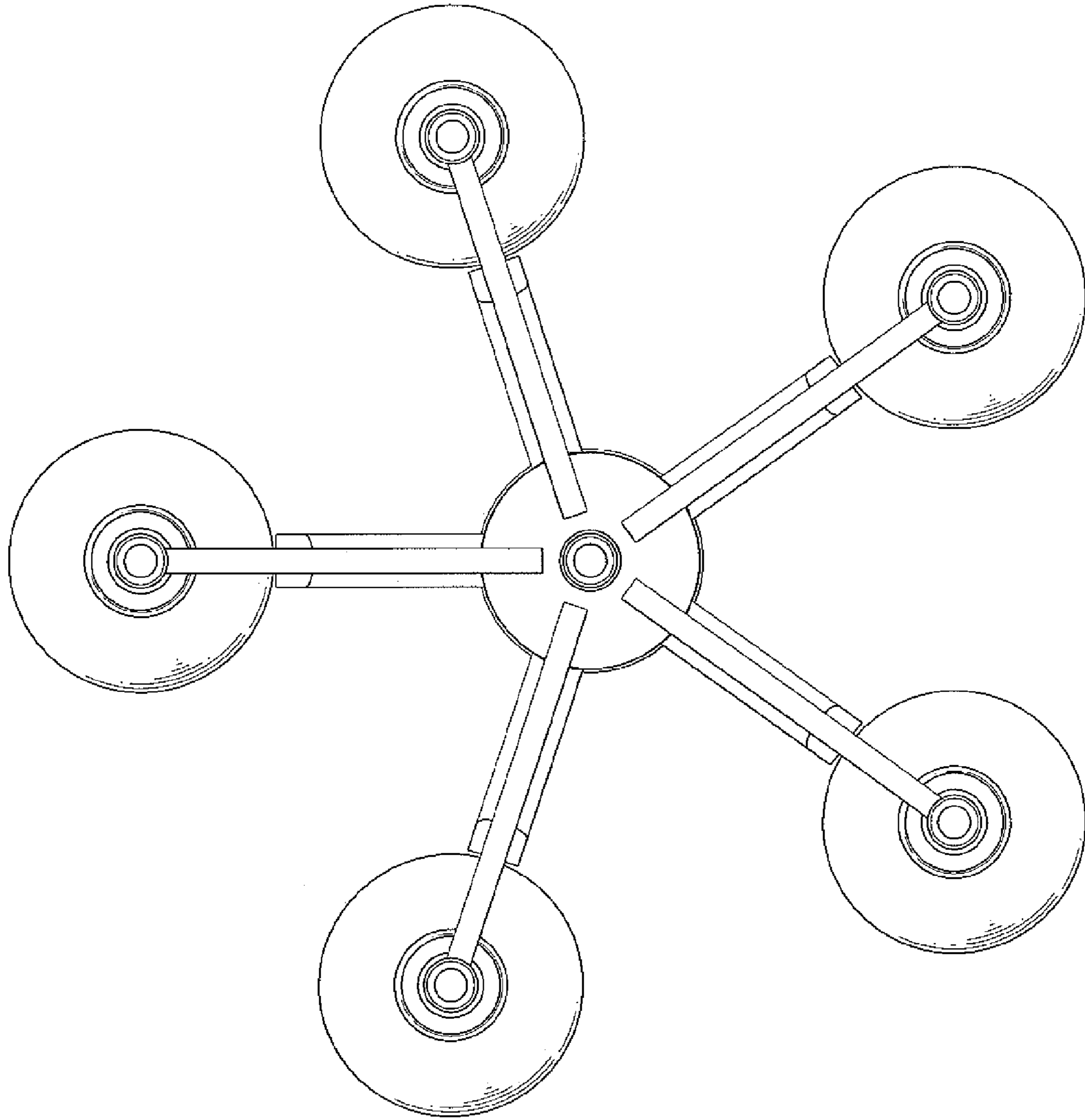


FIG. 6