

US00D565774S

(12) **United States Design Patent**
Martineau

(10) **Patent No.:** **US D565,774 S**

(45) **Date of Patent:** **** Apr. 1, 2008**

(54) **EMERGENCY LIGHTING UNIT**

(75) Inventor: **Patrick Martineau, Ile-Perrot (CA)**

(73) Assignee: **Thomas & Betts International, Inc.,
Wilmington, DE (US)**

(**) Term: **14 Years**

(21) Appl. No.: **29/255,301**

(22) Filed: **Mar. 7, 2006**

(51) **LOC (8) Cl.** **26-05**

(52) **U.S. Cl.** **D26/72; D26/85**

(58) **Field of Classification Search** **D26/60-66,
D26/71, 72, 85; D10/111, 114; 362/147,
362/431, 432, 282**

See application file for complete search history.

(56) **References Cited**

U.S. PATENT DOCUMENTS

1,469,946	A	10/1923	Morrison	
D189,857	S *	3/1961	Lasker	D26/85
4,816,969	A *	3/1989	Miller	362/130
D310,724	S *	9/1990	Jackson	D28/54.1
D315,421	S *	3/1991	Goldschmidt	D26/85
D331,292	S *	11/1992	Ham	D26/26
D332,836	S *	1/1993	Ham	D26/26
D363,250	S *	10/1995	Miyatake	D10/114
D379,245	S *	5/1997	Fenne	D26/26
D380,564	S *	7/1997	Yuen	D26/26
D384,177	S *	9/1997	Pun	D26/51
D406,279	S	3/1999	LaRosa et al.	D20/42
6,019,477	A	2/2000	Wegrzyn et al.	362/20

D483,511 S * 12/2003 Lay et al. D26/80
2006/0215403 A1* 9/2006 Martineau 362/240

* cited by examiner

Primary Examiner—Clare E Heflin

Assistant Examiner—Barbara Fox

(74) *Attorney, Agent, or Firm*—Michael L. Hoelster

(57) **CLAIM**

The ornamental design for an emergency lighting unit, as shown and described.

DESCRIPTION

FIG. 1 is a front perspective view of an emergency lighting unit of the present invention.

FIG. 2 is a front view of the emergency lighting unit of the present invention.

FIG. 3 is a top plan view of the emergency lighting unit of the present invention.

FIG. 4 is a back plan view of the emergency lighting unit of the present invention.

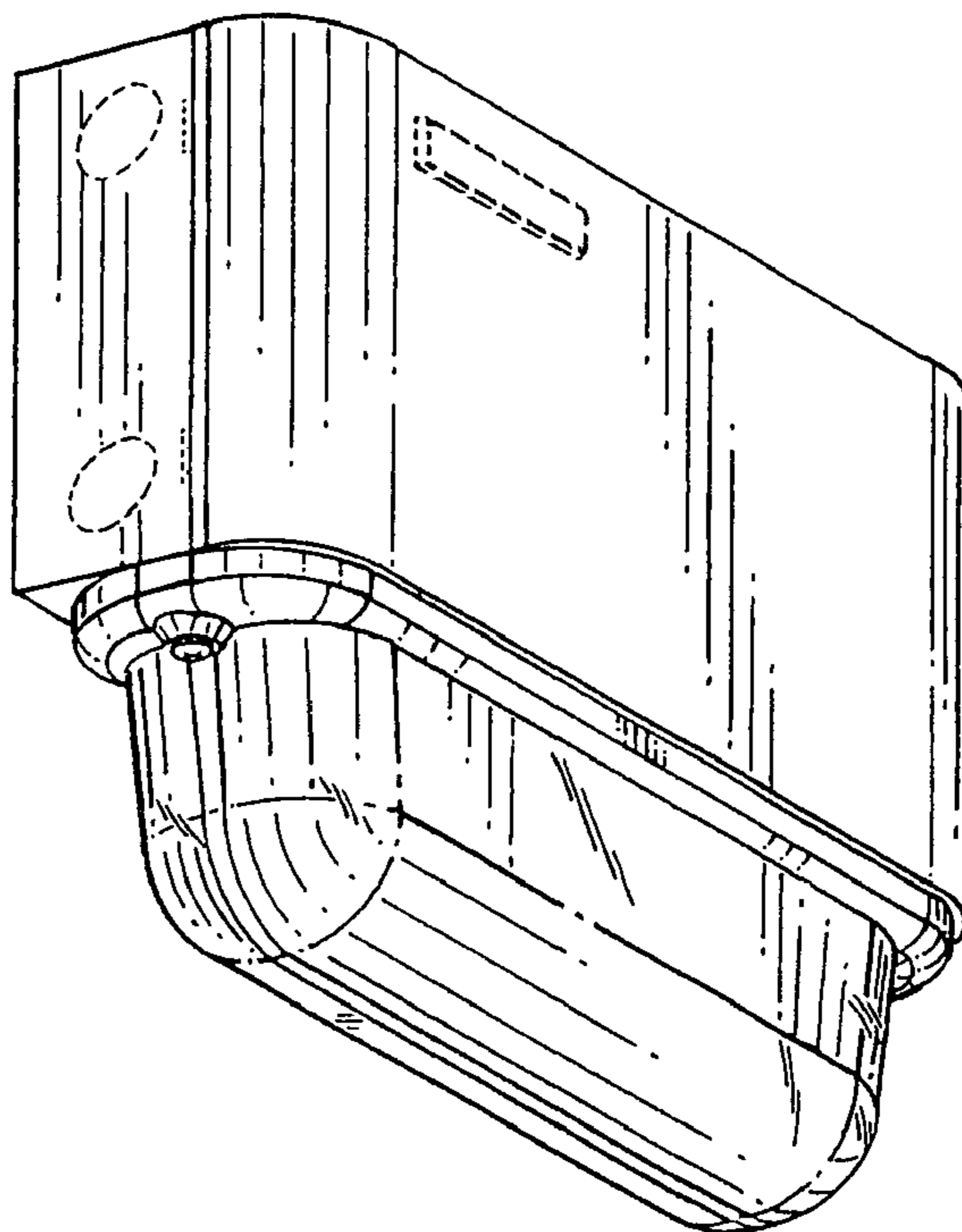
FIG. 5 is a bottom plan view of the emergency lighting unit of the present invention.

FIG. 6 is a right side plan view of the emergency lighting unit of the present invention; and,

FIG. 7 is a left side plan view of the emergency lighting unit of the present invention.

The broken lines shown on the drawings form no part of the claimed design.

1 Claim, 4 Drawing Sheets



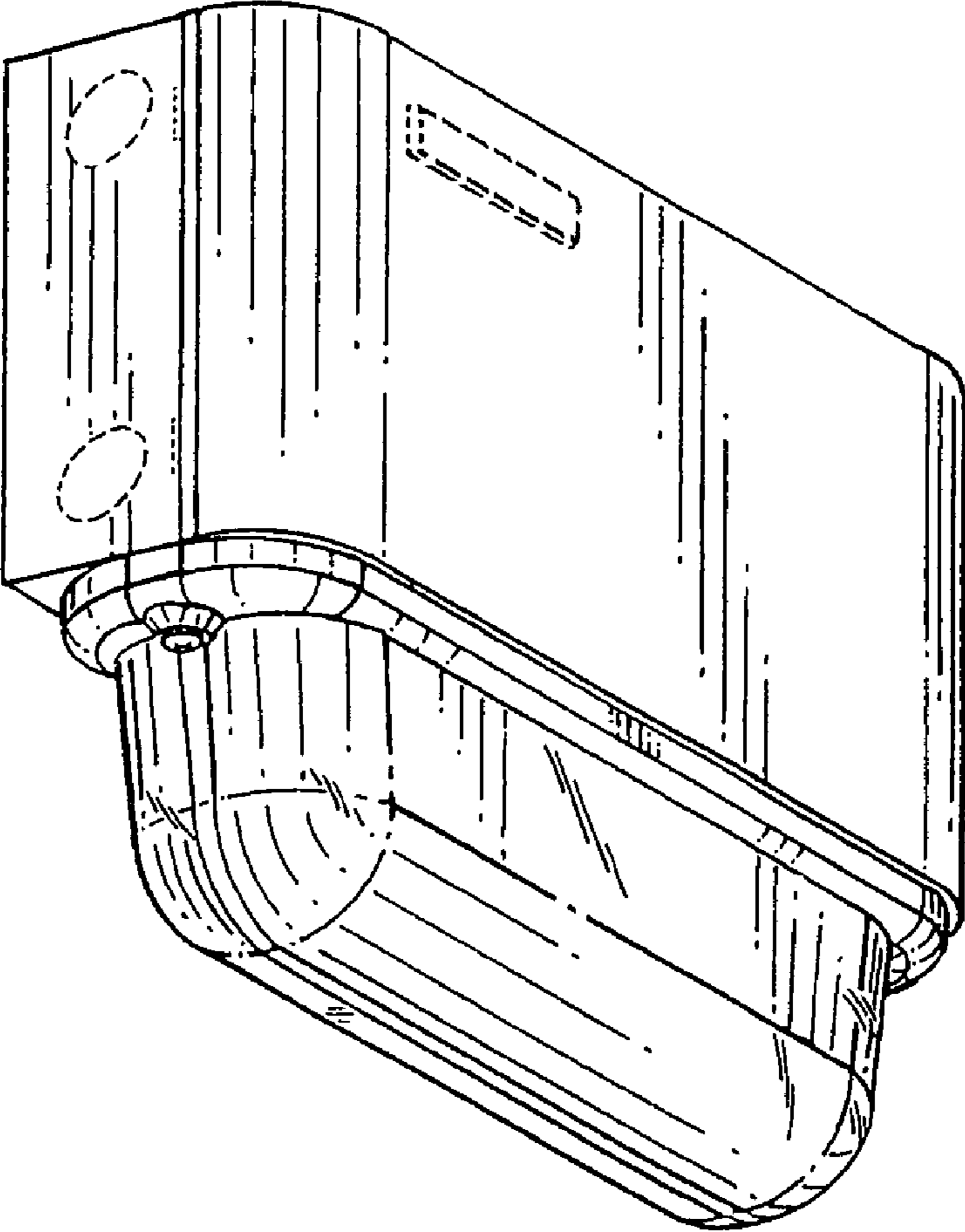


FIG. 1

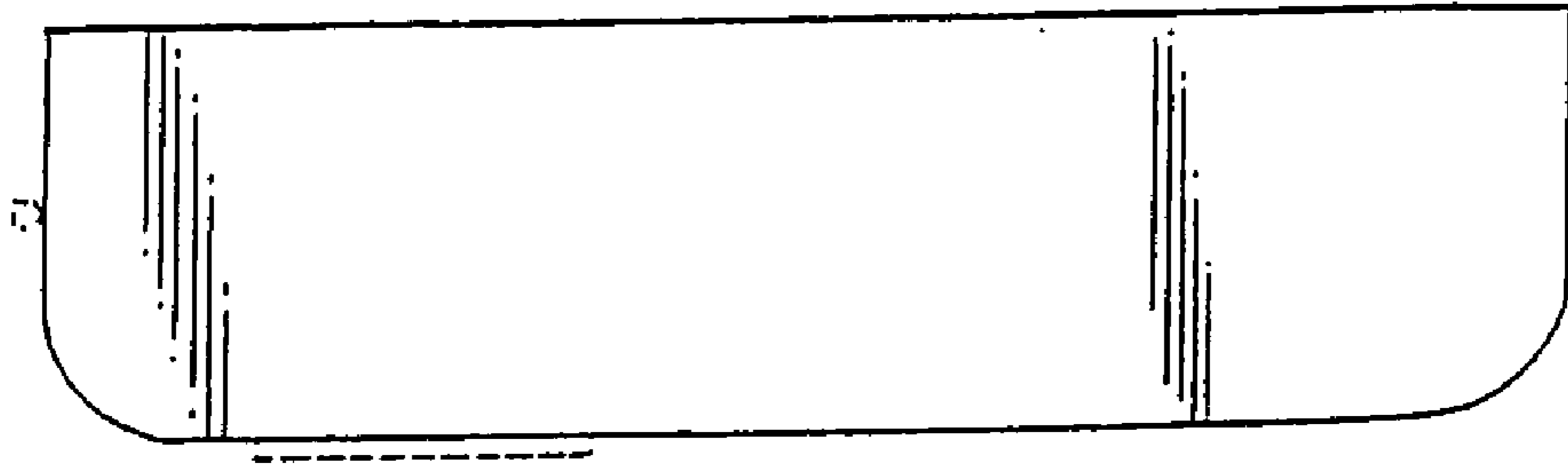


FIG. 3

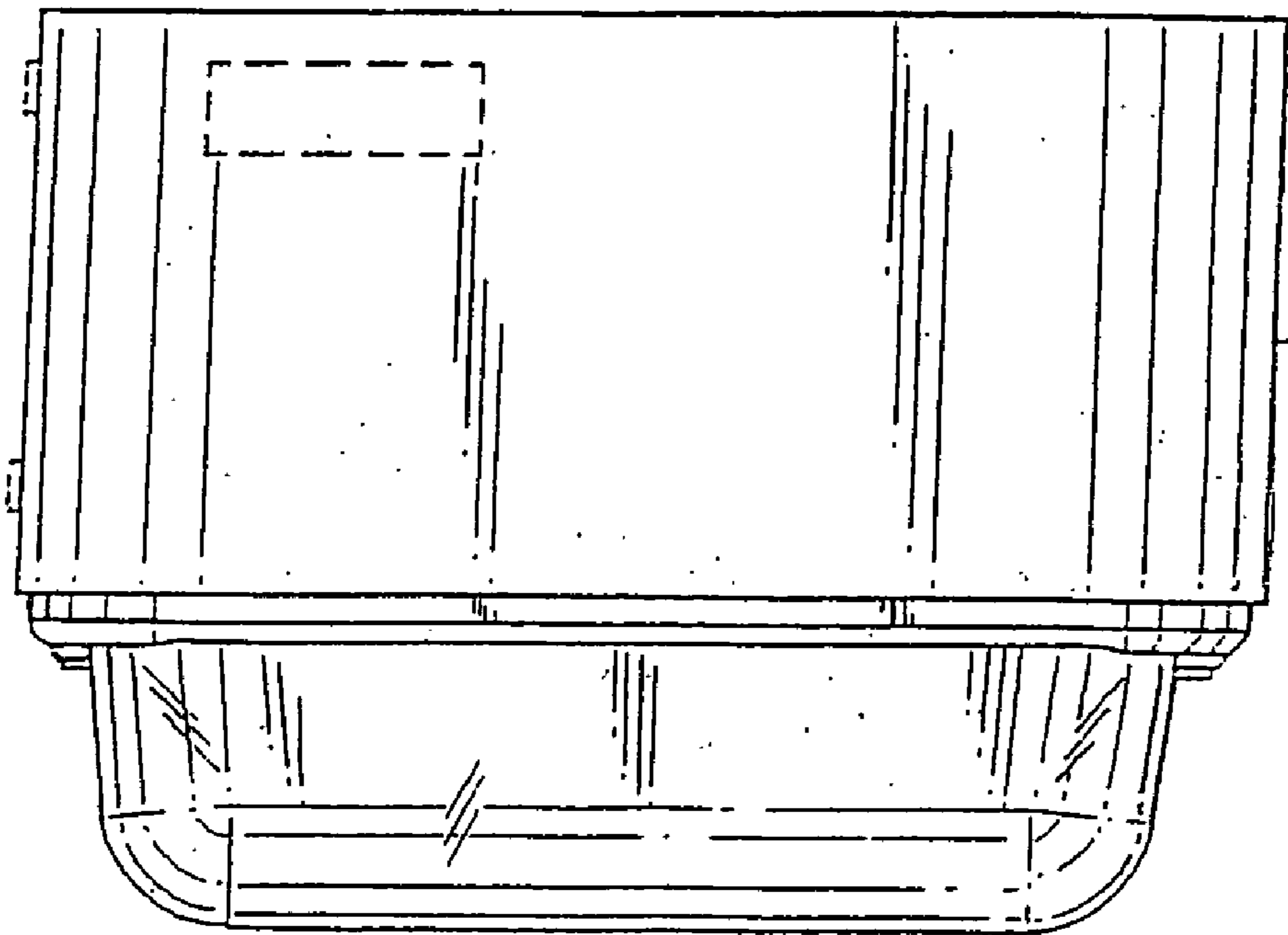


FIG. 2

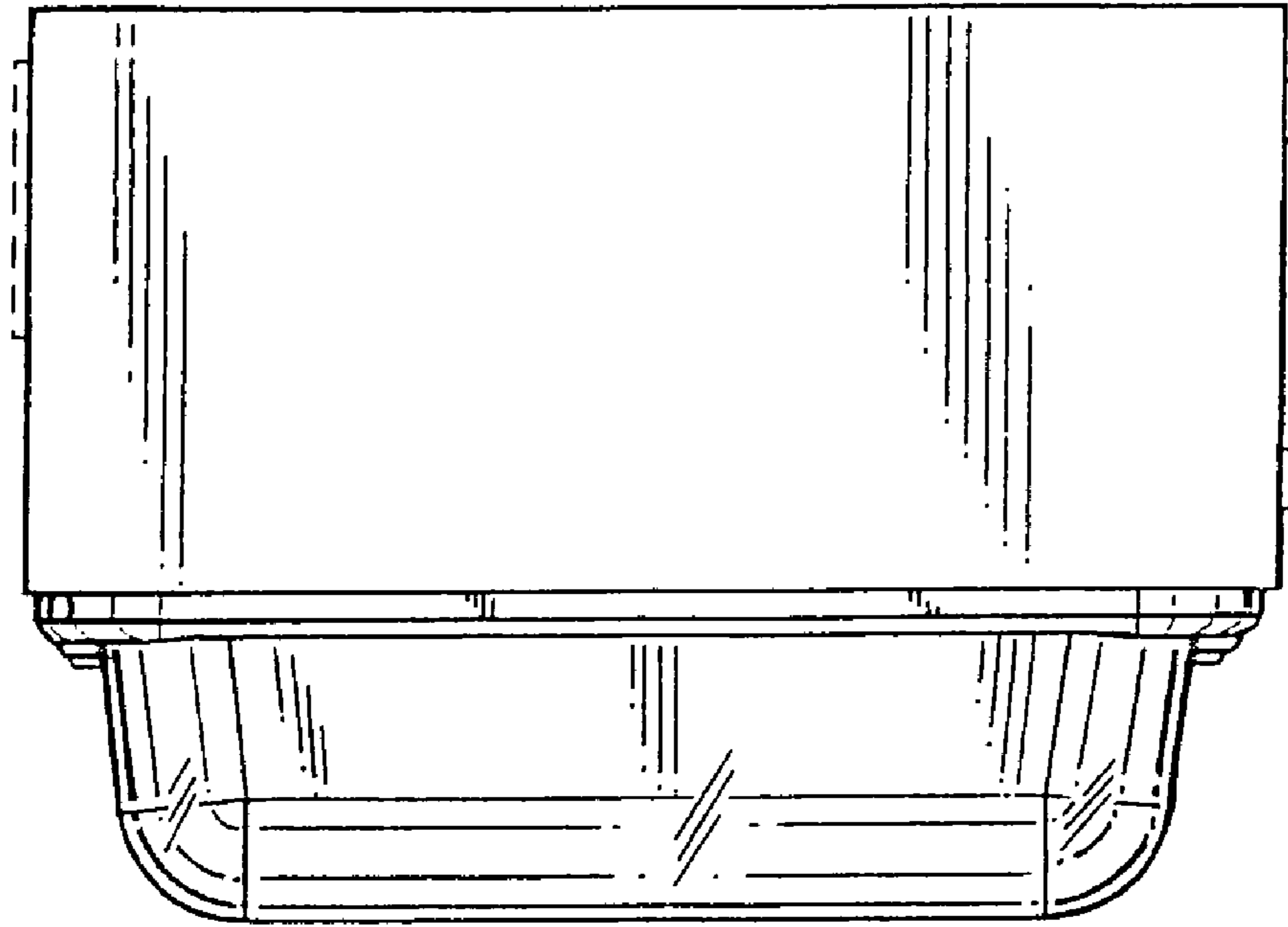


FIG. 4

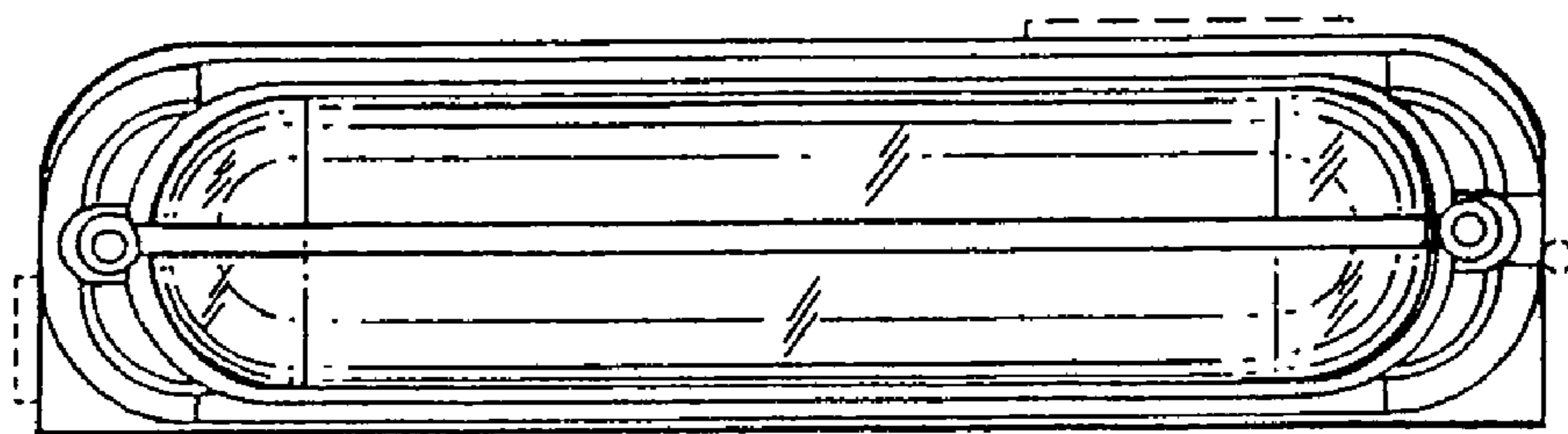


FIG. 5

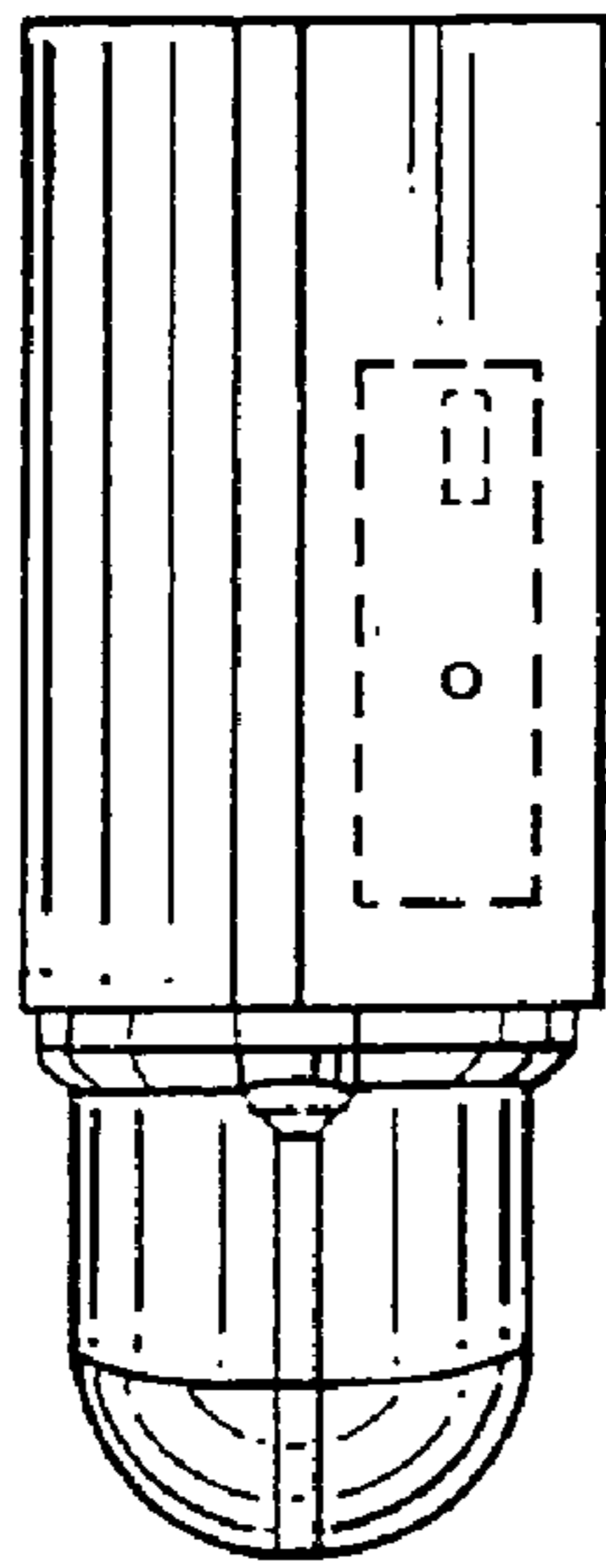


FIG. 6

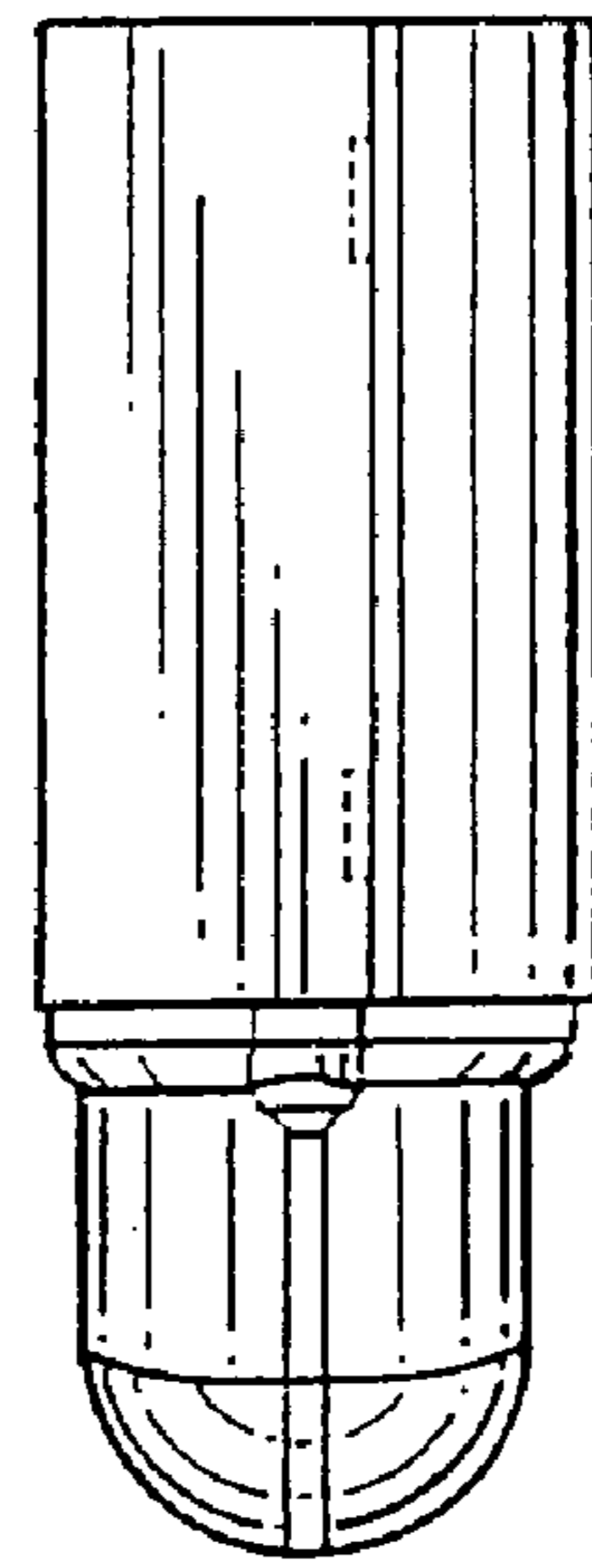


FIG. 7