



US00D565769S

(12) **United States Design Patent**
Shiu

(10) **Patent No.:** **US D565,769 S**

(45) **Date of Patent:** **** Apr. 1, 2008**

(54) **FLASHLIGHT**

(75) **Inventor:** **Stephanie Wai Man Shiu**, Kowloon (HK)

(73) **Assignee:** **Gold Coral International Limited**, San Po Kong, Kowloon (HK)

(**) **Term:** **14 Years**

(21) **Appl. No.:** **29/295,207**

(22) **Filed:** **Sep. 23, 2007**

(30) **Foreign Application Priority Data**

Apr. 16, 2007 (HK) 0700997.0M001

(51) **LOC (8) Cl.** **26-02**

(52) **U.S. Cl.** **D26/49**

(58) **Field of Classification Search** D26/37-50;
362/157, 158, 171-174, 183-208
See application file for complete search history.

(56) **References Cited**

U.S. PATENT DOCUMENTS

D374,495 S * 10/1996 Garrity D26/49

D433,523 S * 11/2000 Poon D26/49
D463,594 S * 9/2002 Cheong et al. D26/49
D486,936 S * 2/2004 Shiu D26/49
D501,054 S * 1/2005 Galli D26/37
D537,970 S * 3/2007 Shiu D26/49

* cited by examiner

Primary Examiner—Marcus A. Jackson

(74) *Attorney, Agent, or Firm*—Joseph G. Swan, PC

(57) **CLAIM**

The ornamental design for a flashlight, as shown and described.

DESCRIPTION

FIG. 1 is a right side elevational view of a flashlight according to the present invention.

FIG. 2 is a bottom plan view of the flashlight.

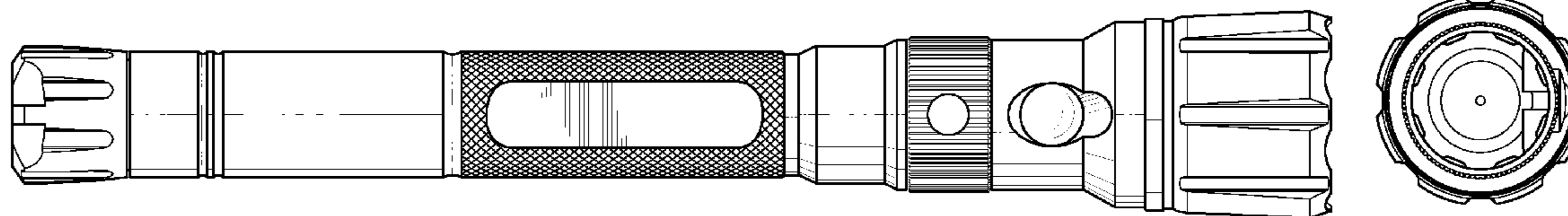
FIG. 3 is a left side elevational view of the flashlight.

FIG. 4 is a top plan view of the flashlight.

FIG. 5 is a rear elevational view of the flashlight; and,

FIG. 6 is a front elevational view of the flashlight.

1 Claim, 2 Drawing Sheets



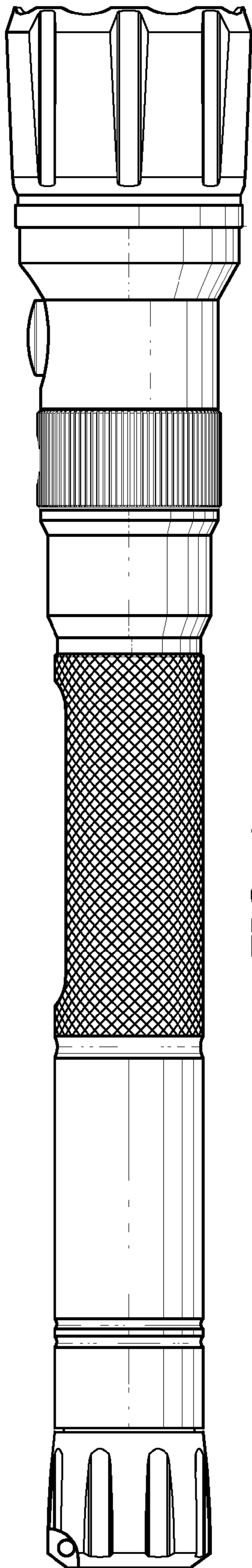


FIG. 1

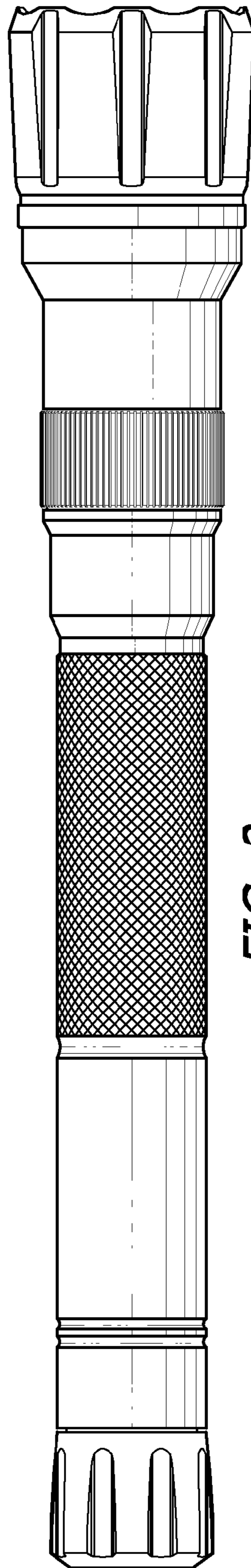


FIG. 2

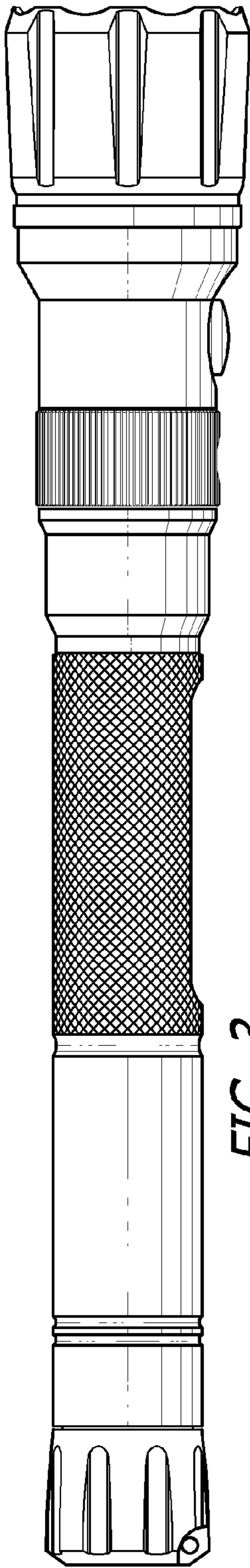


FIG. 3

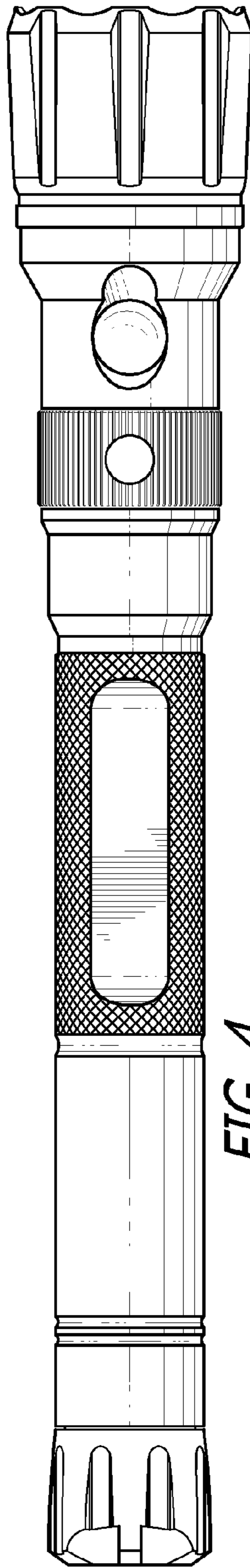


FIG. 4

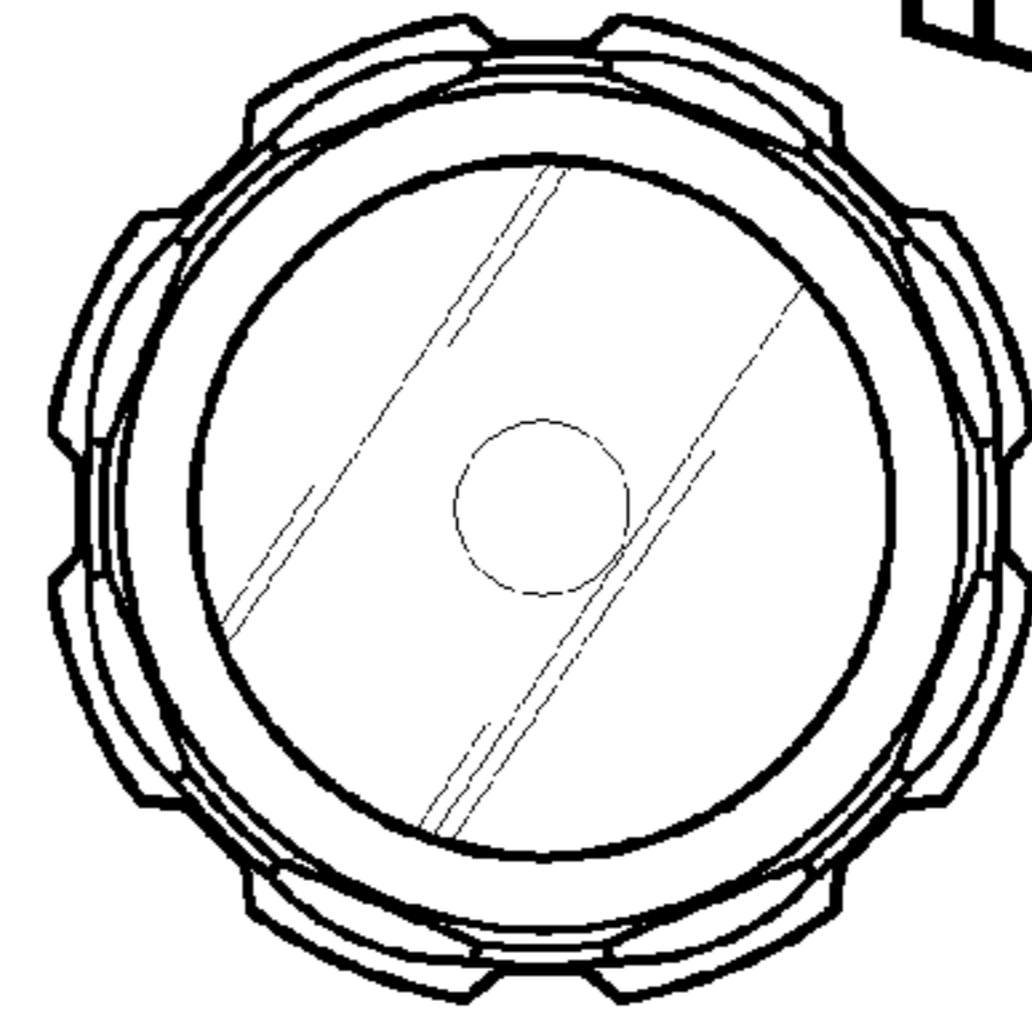


FIG. 6

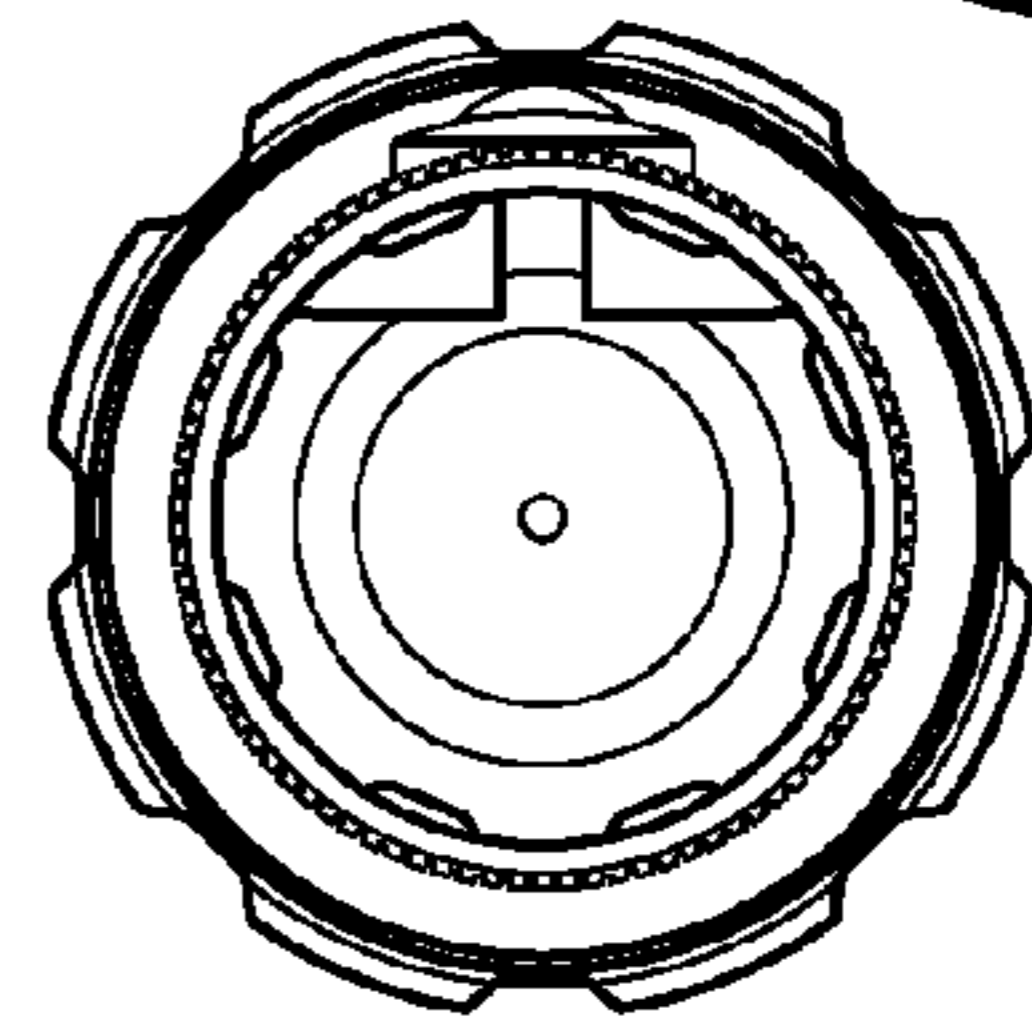


FIG. 5