



US00D565767S

(12) **United States Design Patent**  
**Ben-Moshe**

(10) **Patent No.:** **US D565,767 S**

(45) **Date of Patent:** **\*\* Apr. 1, 2008**

(54) **LED SPOT LIGHT**

(75) **Inventor:** **Rami Ben-Moshe**, Chatsworth, CA  
(US)

(73) **Assignee:** **Sun-Mate Corporation**, Canoga Park,  
CA (US)

(\*\*) **Term:** **14 Years**

(21) **Appl. No.:** **29/292,142**

(22) **Filed:** **Oct. 1, 2007**

(51) **LOC (8) Cl.** ..... **26-02**

(52) **U.S. Cl.** ..... **D26/45**

(58) **Field of Classification Search** ..... D26/37-50;  
362/157, 158, 171-174, 183-208  
See application file for complete search history.

(56) **References Cited**

**U.S. PATENT DOCUMENTS**

D431,662 S *	10/2000	Krieger	.....	D26/45
D436,200 S *	1/2001	Cheong et al.	.....	D26/45
D441,474 S *	5/2001	Poon	.....	D26/45
D466,637 S *	12/2002	Gisser	.....	D26/45

D504,533 S *	4/2005	Hussaini et al.	.....	D26/45
D518,214 S *	3/2006	Krieger et al.	.....	D26/45
D522,153 S *	5/2006	Krieger et al.	.....	D26/45

\* cited by examiner

*Primary Examiner*—Marcus A. Jackson

(74) *Attorney, Agent, or Firm*—Michael A. Painter

(57) **CLAIM**

The ornamental design for a LED spot light, as described and shown.

**DESCRIPTION**

FIG. 1 is a front perspective view of a LED spot light illustrating my new design;

FIG. 2 is left side elevation view thereof;

FIG. 3 is a right side elevation view thereof;

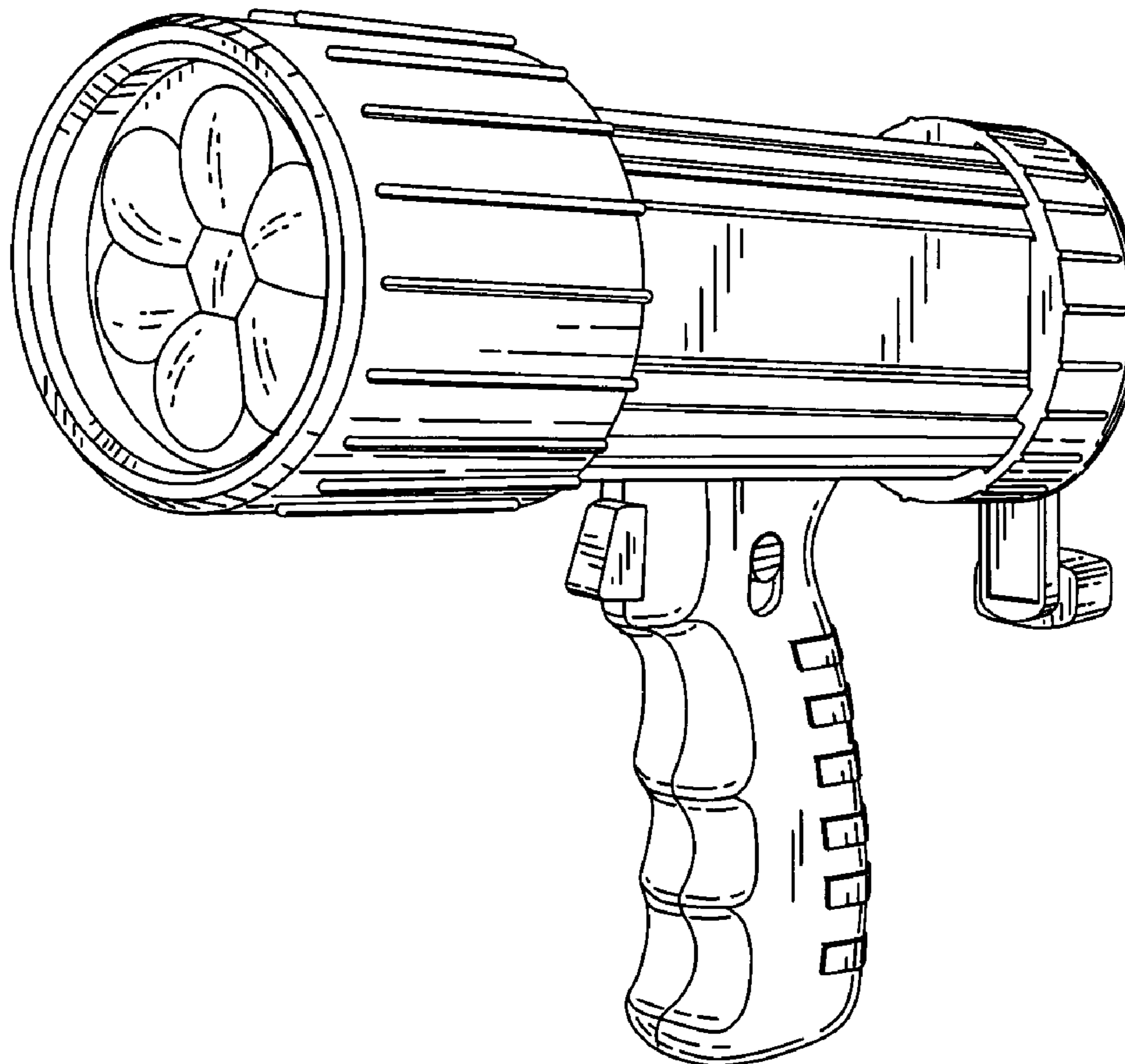
FIG. 4 is a top plan view thereof;

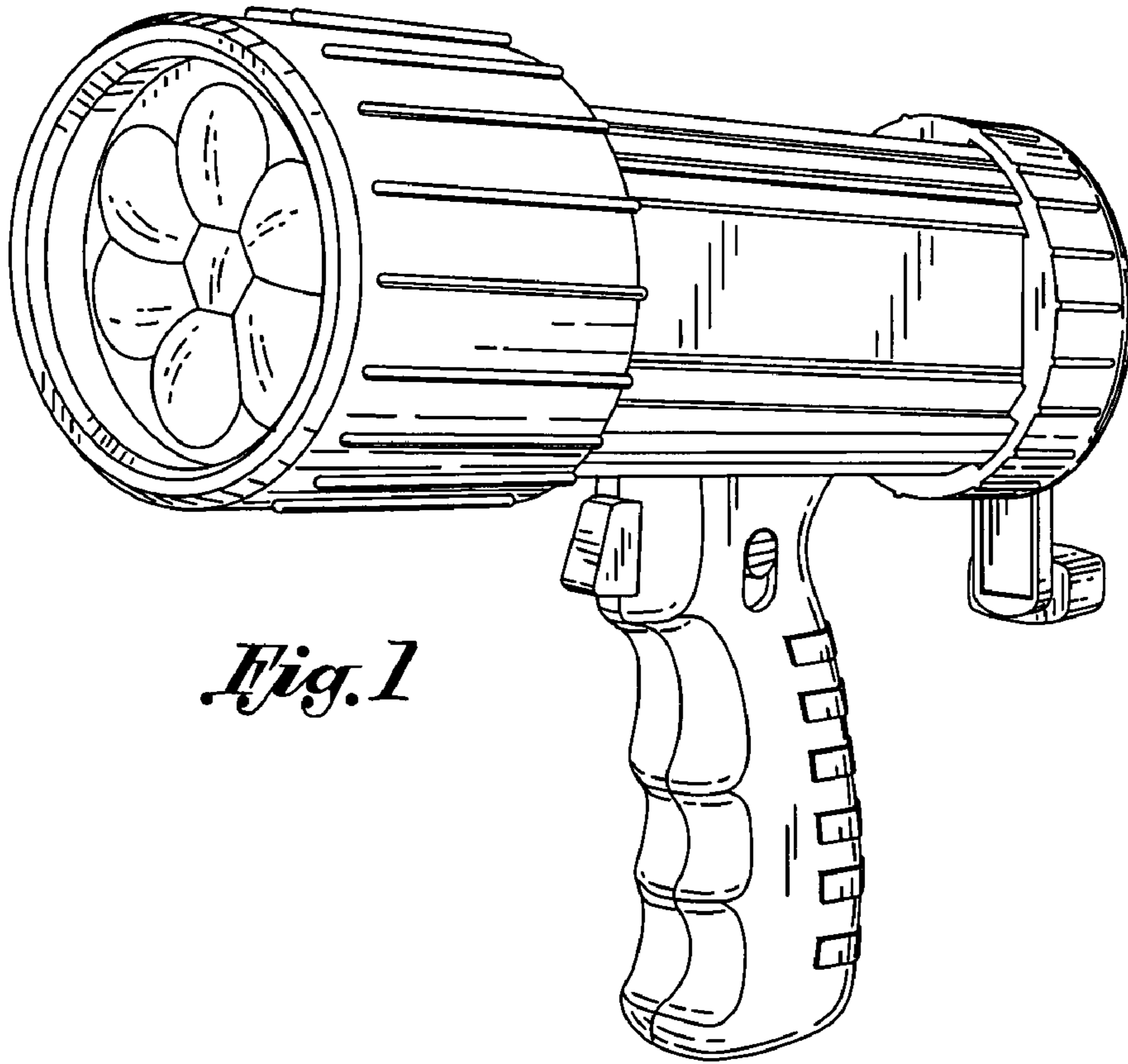
FIG. 5 is a bottom plan view thereof;

FIG. 6 is a front elevation view thereof; and,

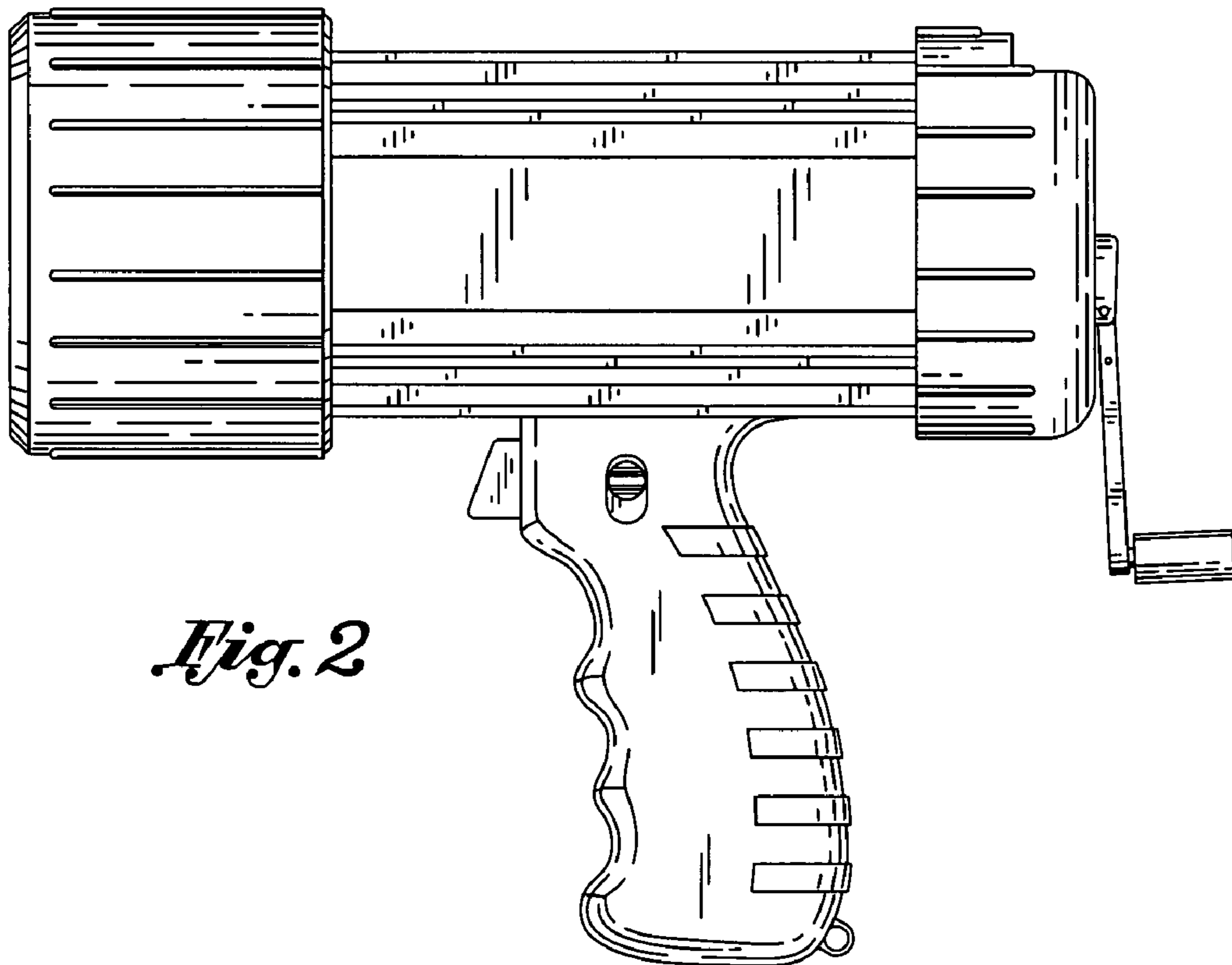
FIG. 7 is a rear elevation view thereof.

**1 Claim, 3 Drawing Sheets**

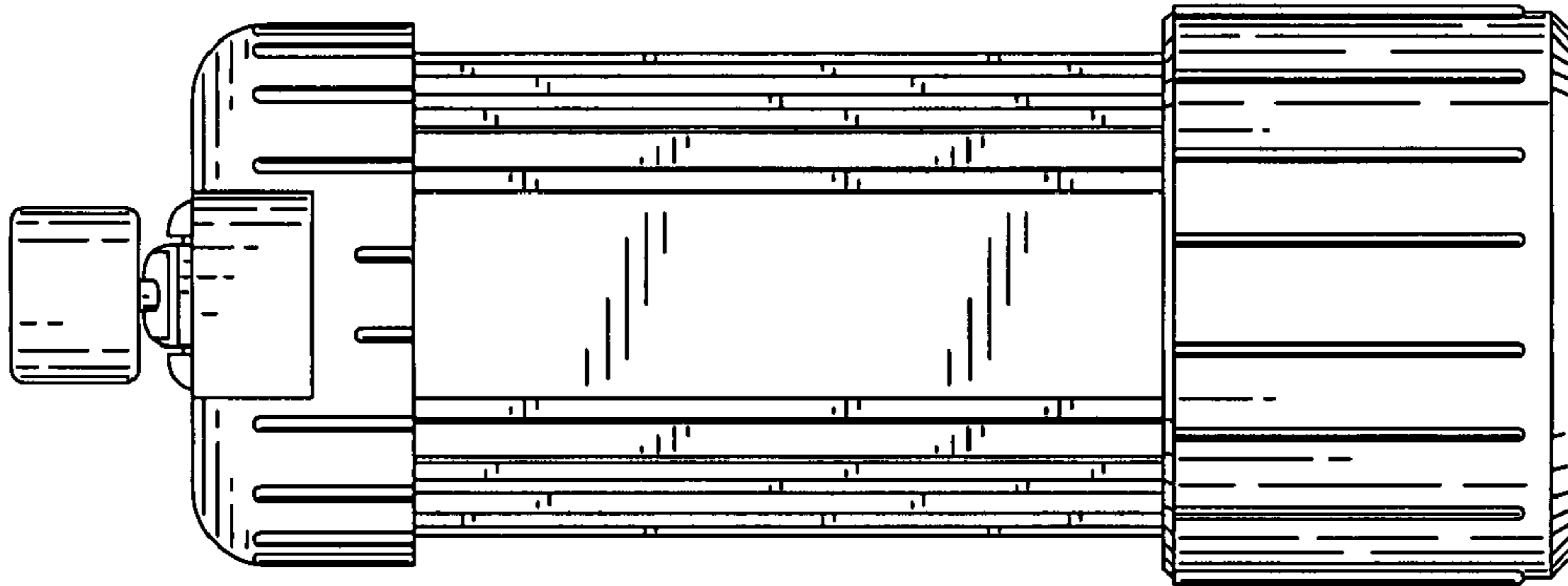




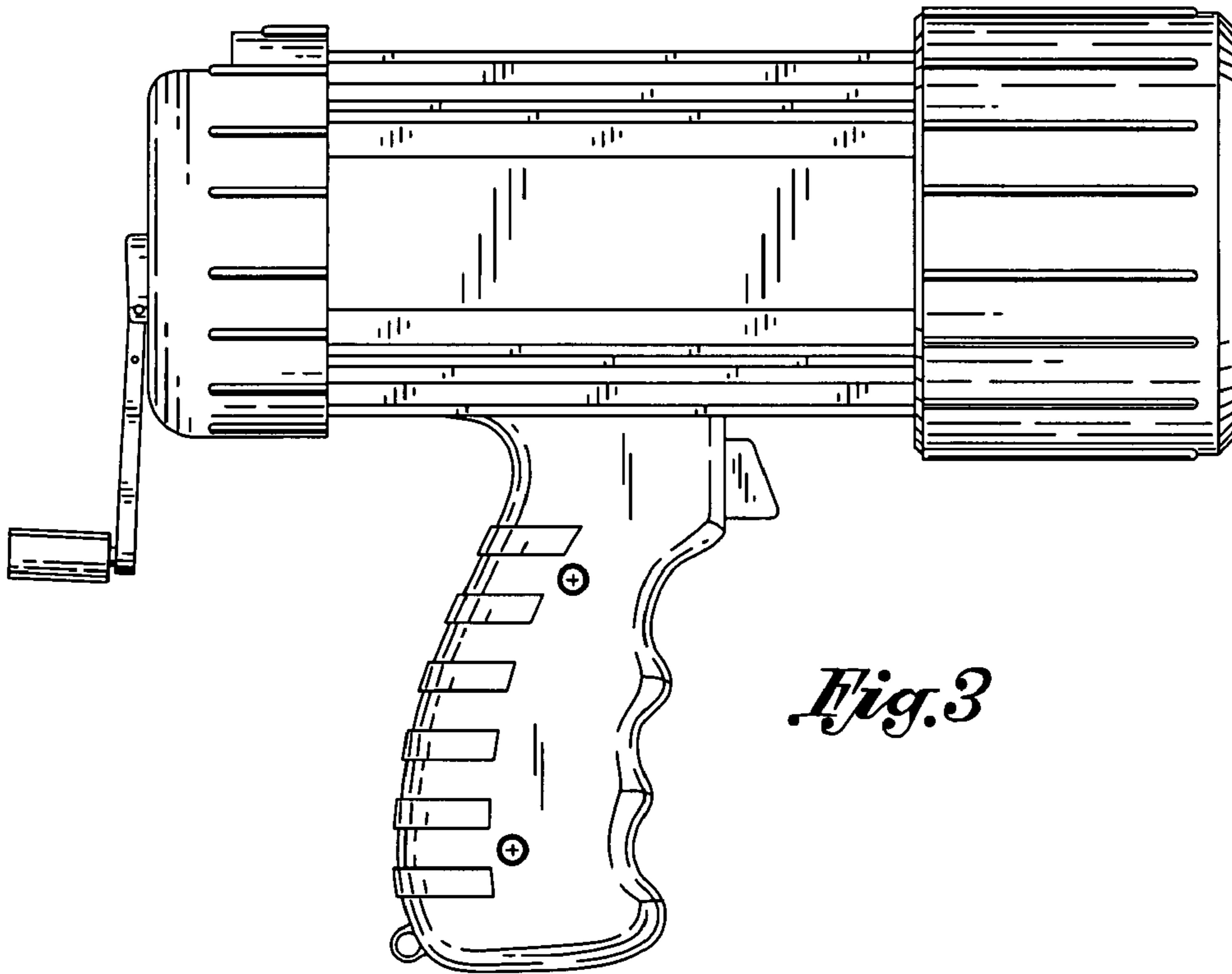
*Fig. 1*



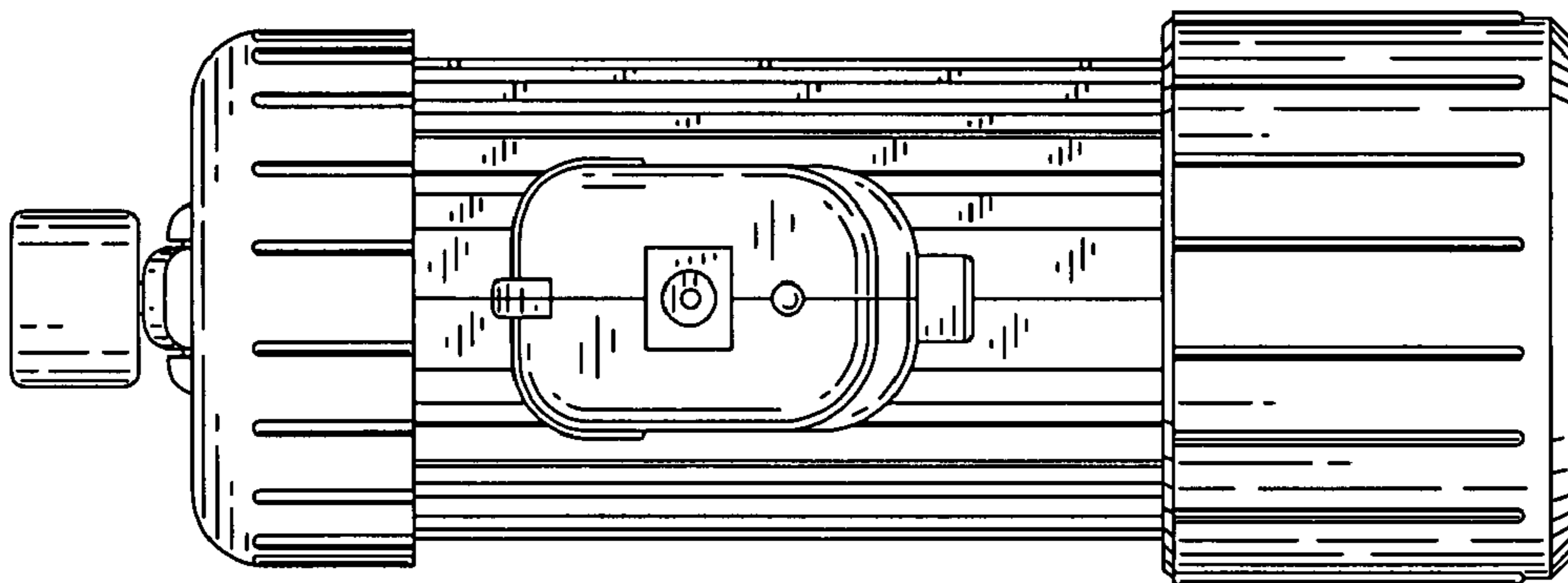
*Fig. 2*



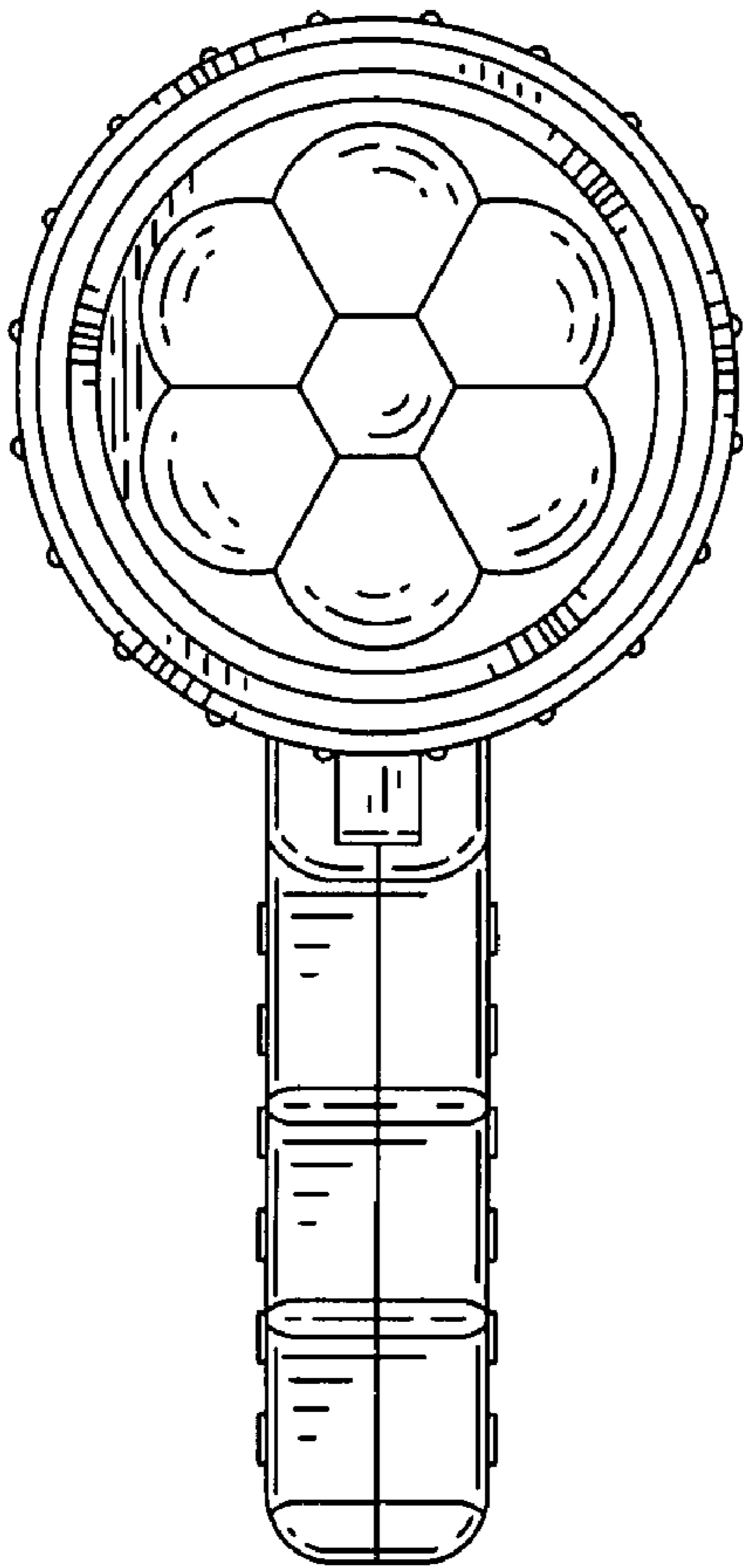
*Fig. 4*



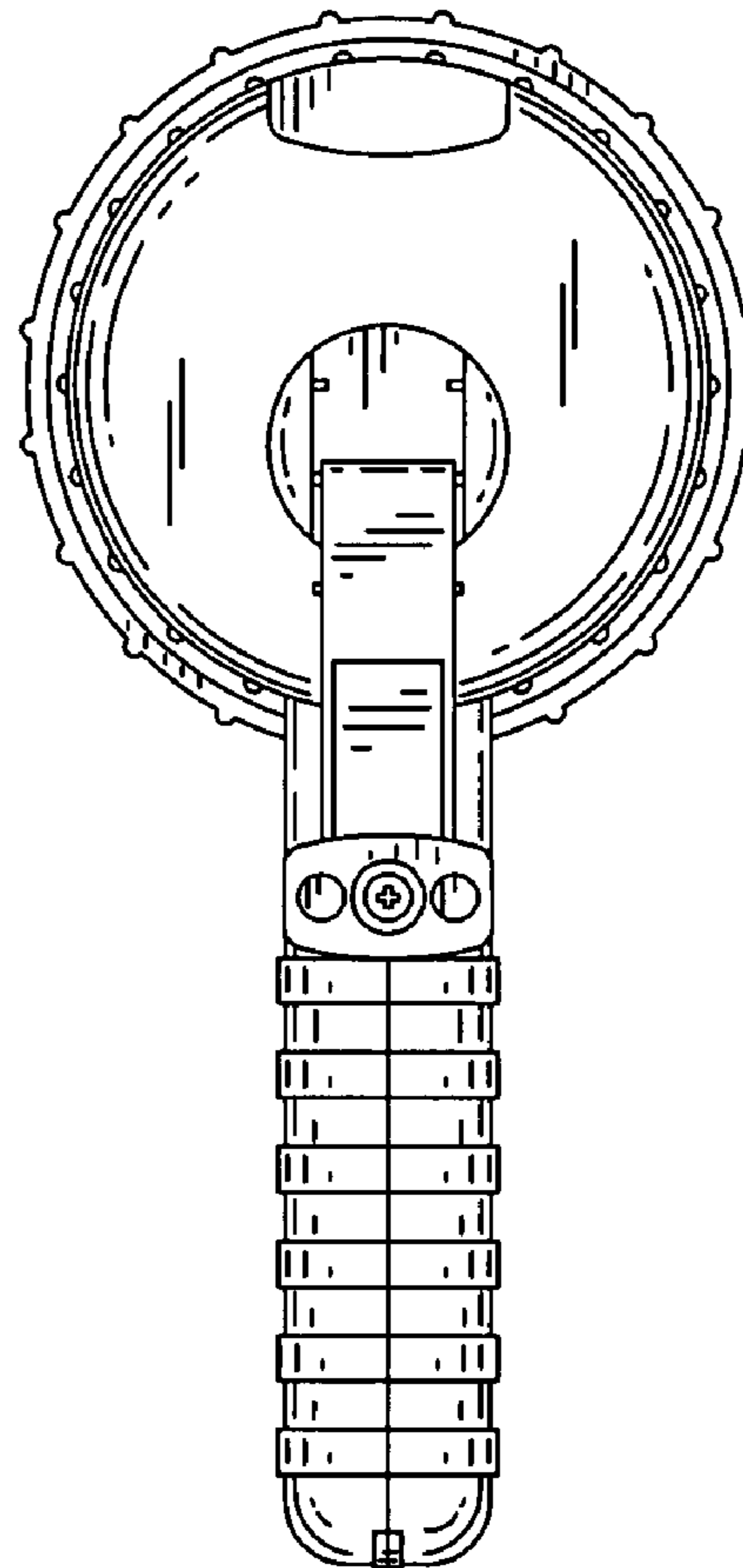
*Fig. 3*



*Fig. 5*



*Fig. 6*



*Fig. 7*