



US00D565766S

(12) **United States Design Patent**
Shiu

(10) **Patent No.:** **US D565,766 S**

(45) **Date of Patent:** **** Apr. 1, 2008**

(54) **PORTABLE ELECTRIC LIGHT SOURCE**

(75) Inventor: **Stephanie Wai Man Shiu**, Kowloon (HK)

(73) Assignee: **Gold Coral International Limited**, San Po Kong, Kowloon (HK)

(**) Term: **14 Years**

(21) Appl. No.: **29/295,203**

(22) Filed: **Sep. 23, 2007**

(30) **Foreign Application Priority Data**

Apr. 16, 2007 (HK) 0700982

(51) **LOC (8) Cl.** **26-02**

(52) **U.S. Cl.** **D26/40**

(58) **Field of Classification Search** D26/37-50, D26/40; 362/157, 158, 171-174, 183-208
See application file for complete search history.

(56) **References Cited**

U.S. PATENT DOCUMENTS

D521,167 S * 5/2006 Krieger et al. D26/40

D532,134 S * 11/2006 Lo et al. D26/40

D537,967 S * 3/2007 Lo et al. D26/40

* cited by examiner

Primary Examiner—Marcus A. Jackson

(74) *Attorney, Agent, or Firm*—Joseph G. Swan, PC

(57) **CLAIM**

The ornamental design for a portable electric light source, as shown and described.

DESCRIPTION

FIG. 1 is a front elevational view of a portable electric light source according to the present invention.

FIG. 2 is a rear elevational view of the portable electric light source.

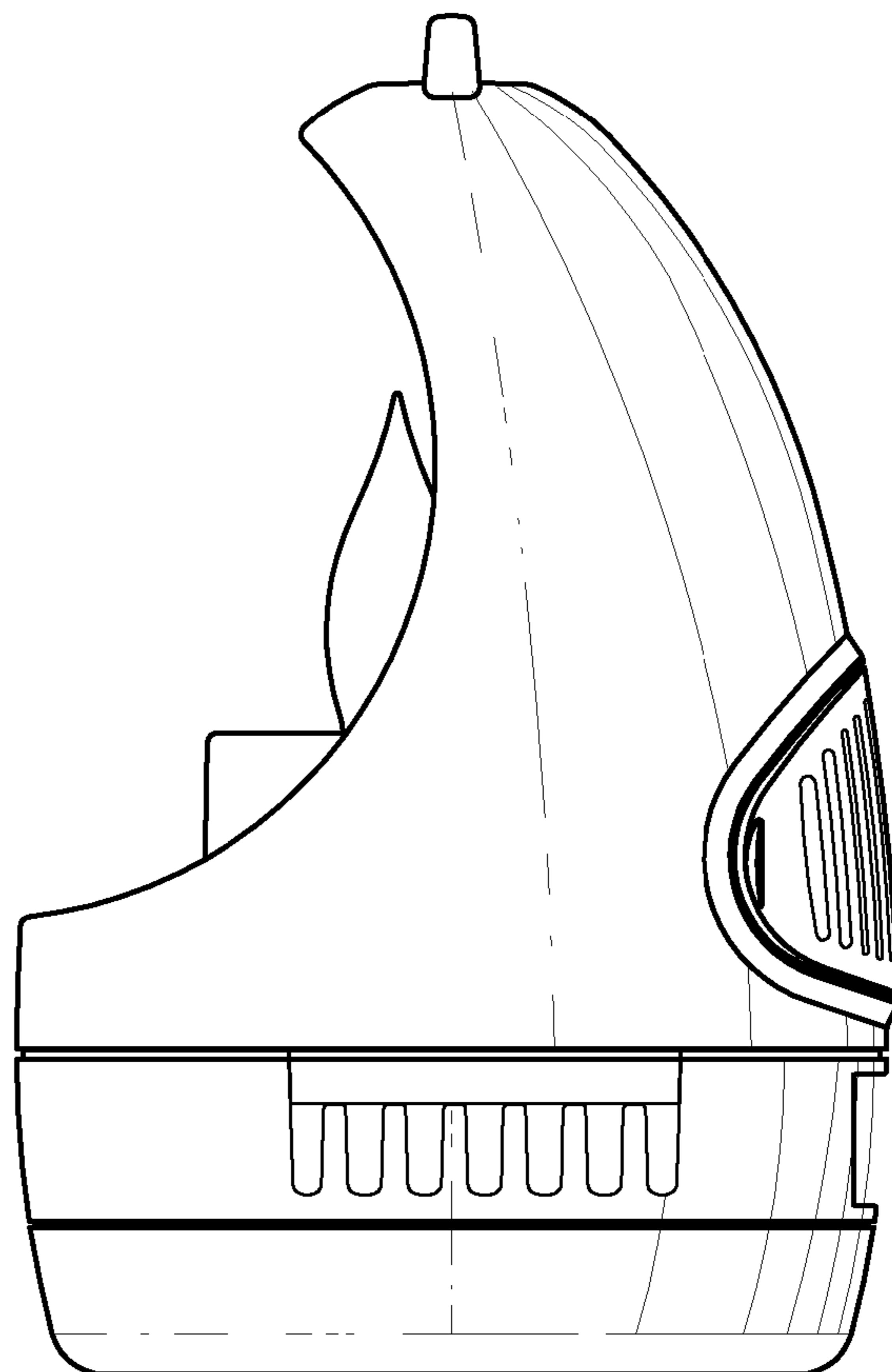
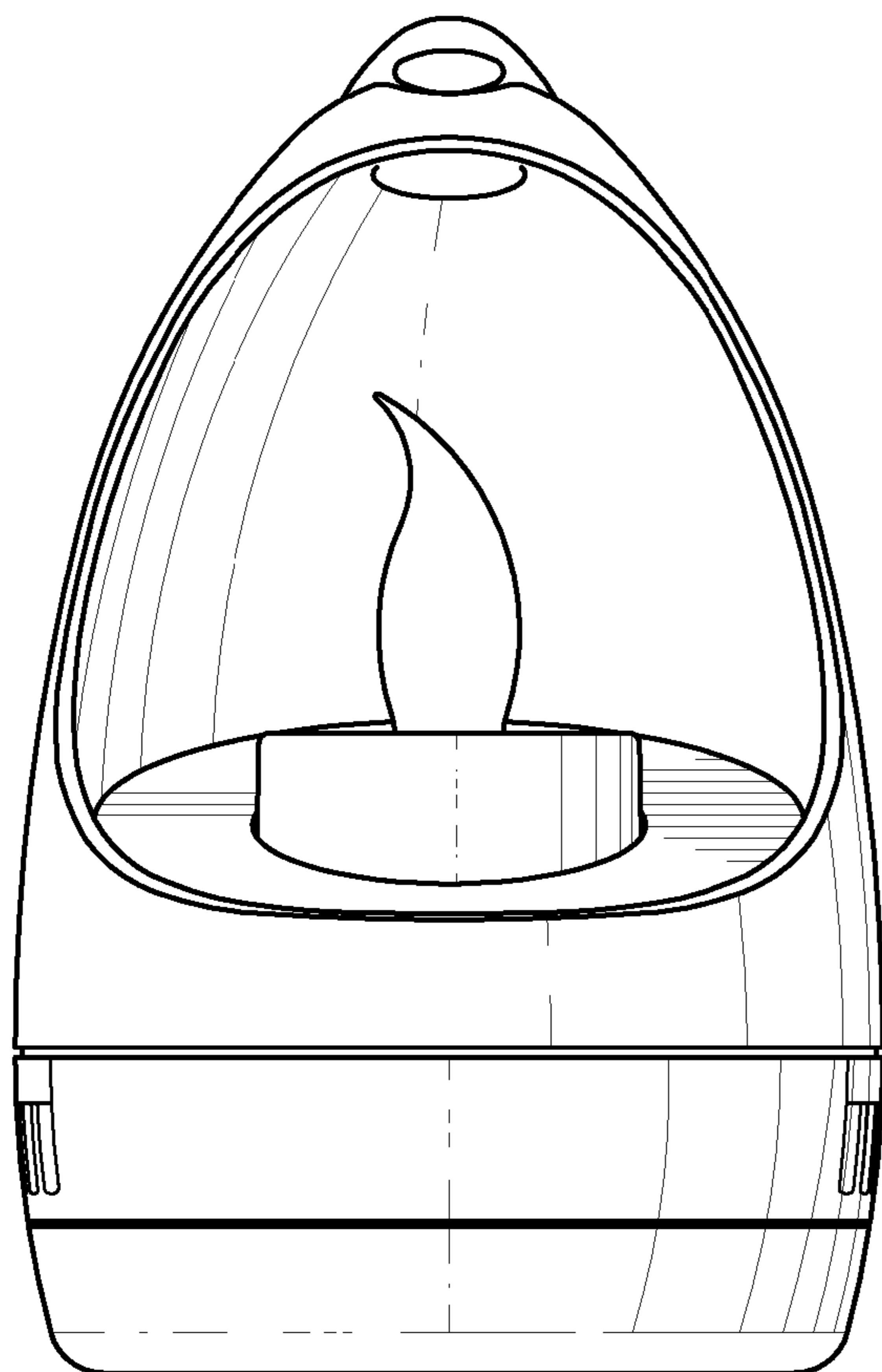
FIG. 3 is a left side elevational view of the portable electric light source.

FIG. 4 is a right side elevational view of the portable electric light source.

FIG. 5 is a top plan view of the portable electric light source; and,

FIG. 6 is a bottom plan view of the portable electric light source.

1 Claim, 3 Drawing Sheets



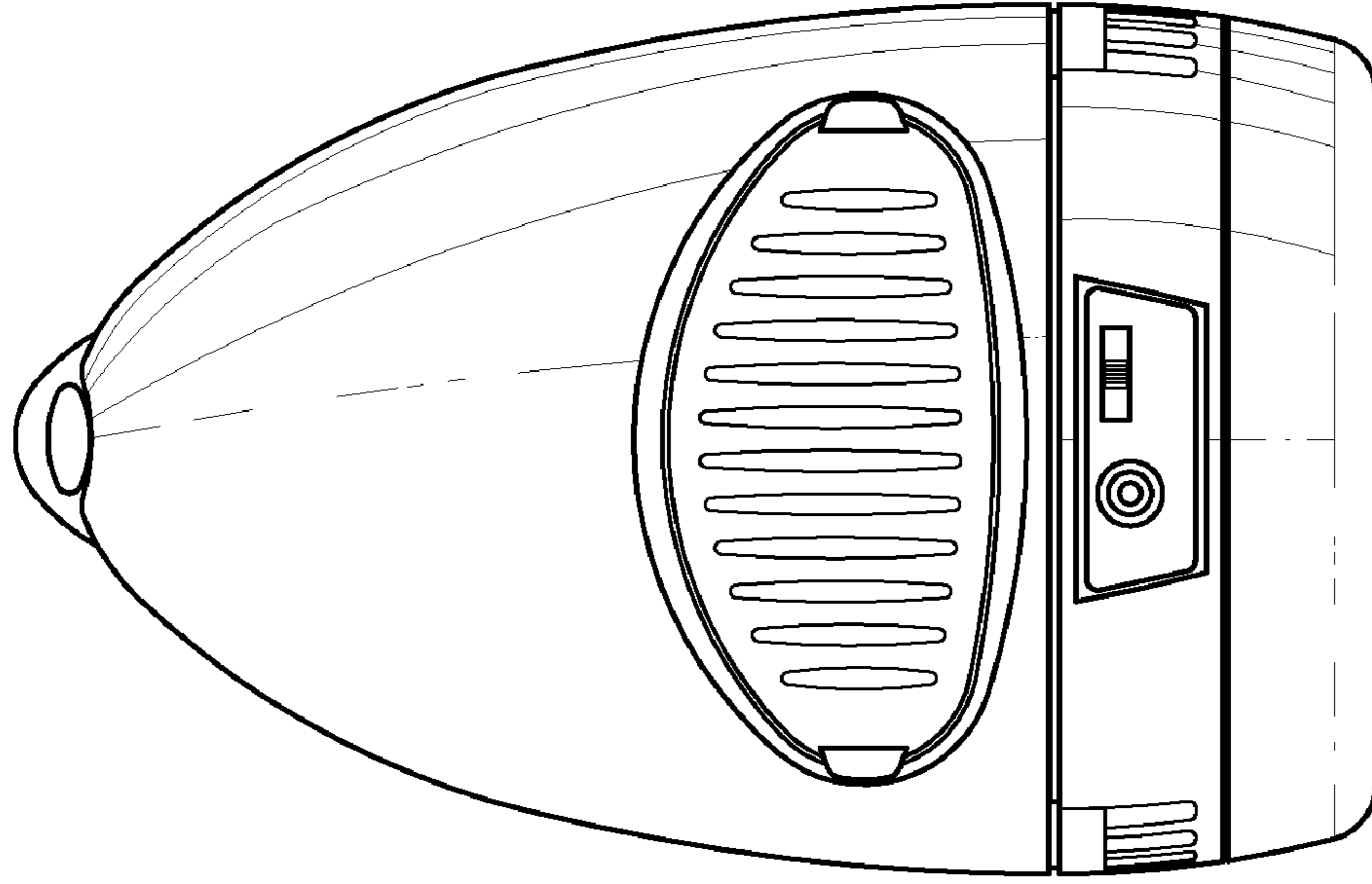


FIG. 1

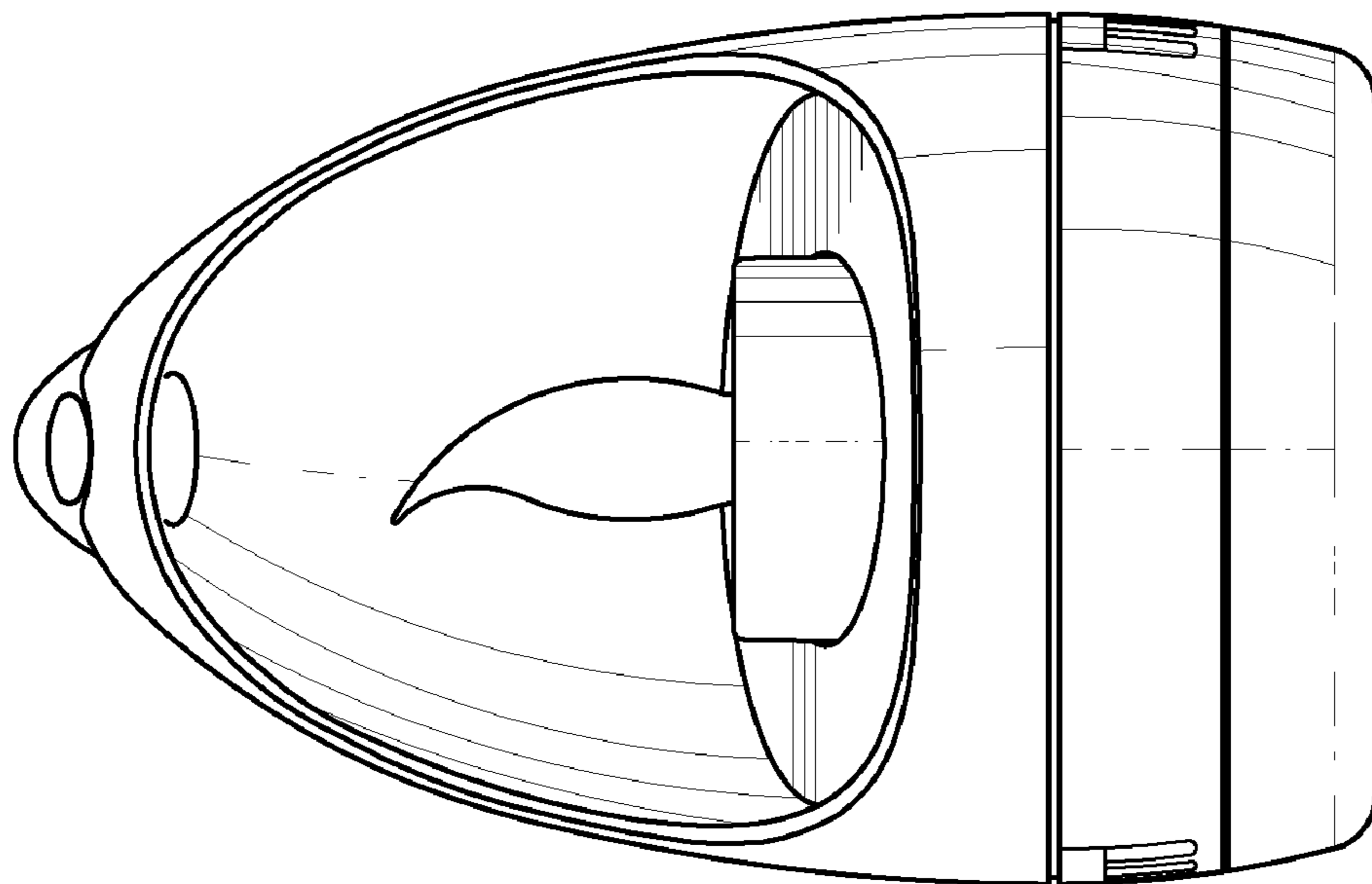


FIG. 2

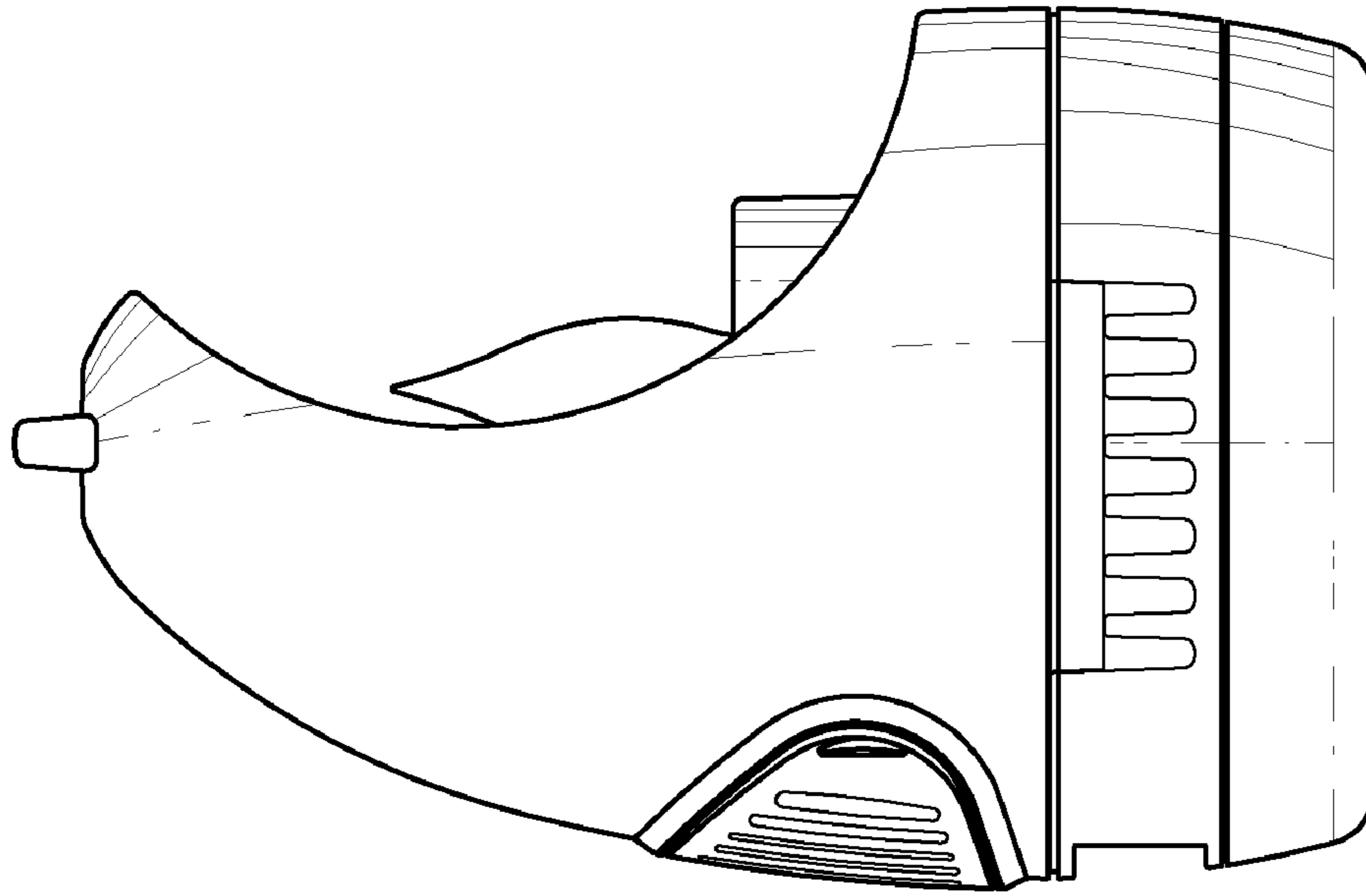


FIG. 4

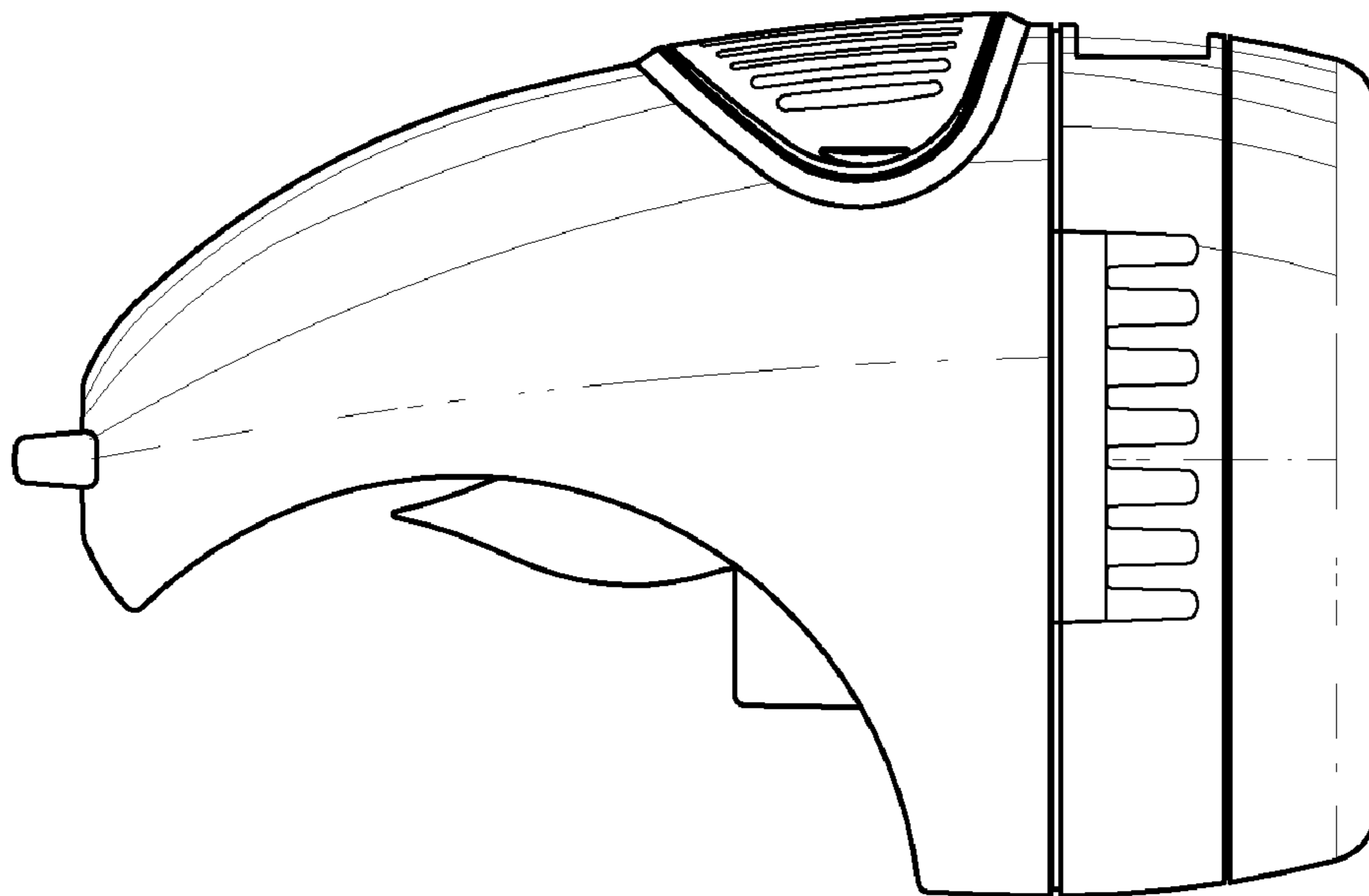


FIG. 3

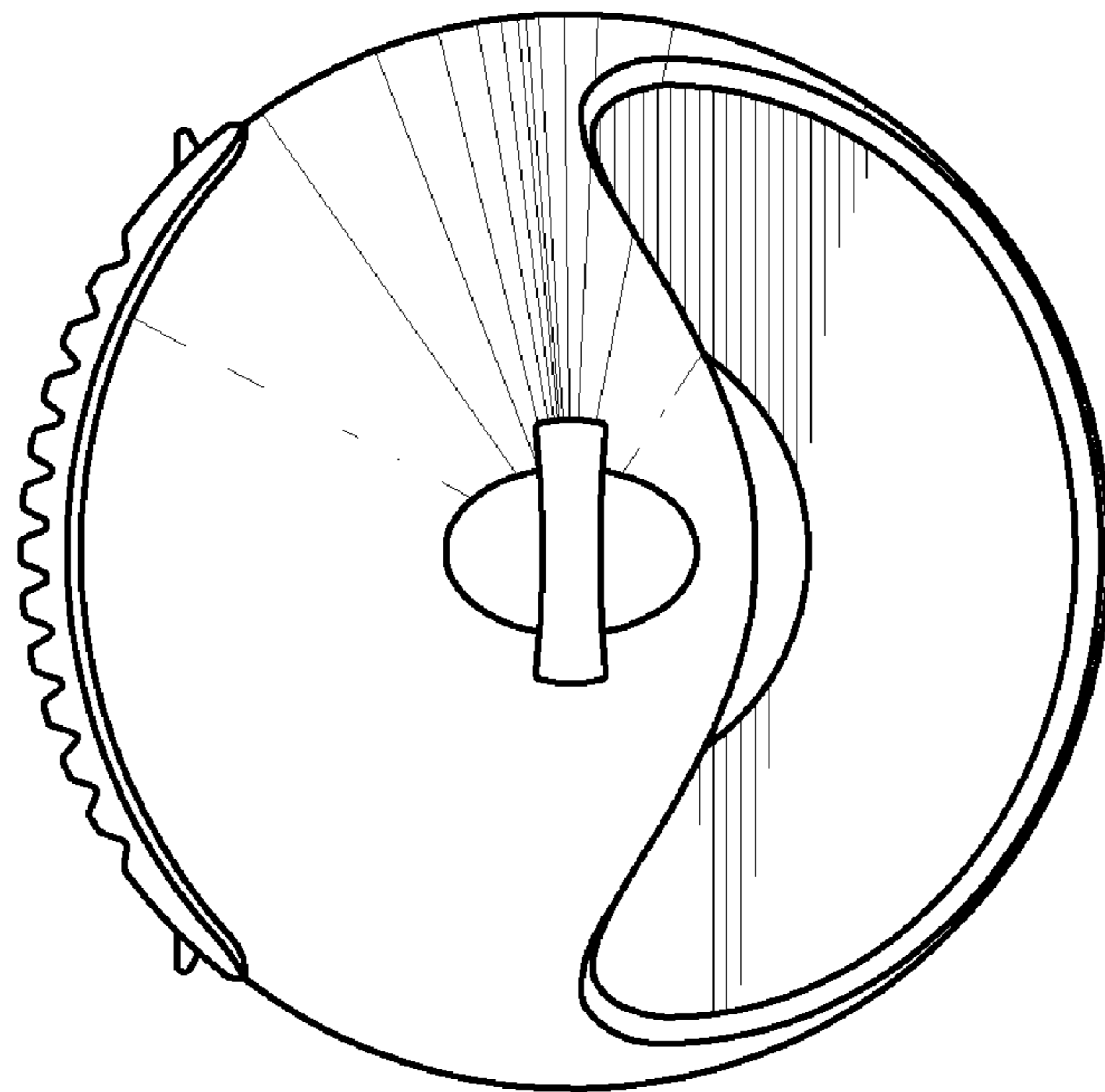


FIG. 5

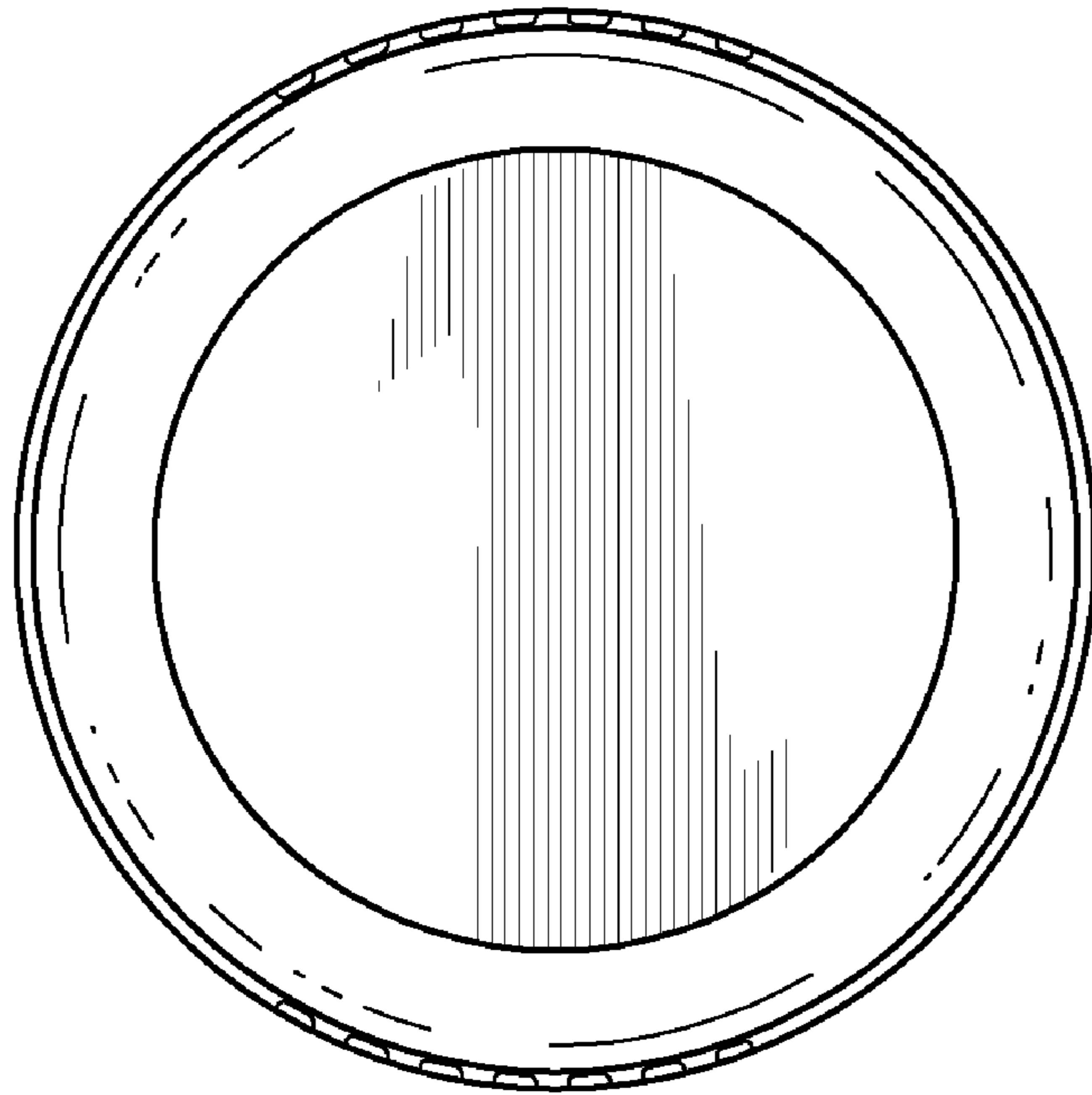


FIG. 6