

US00D565763S

(12) **United States Design Patent**  
**Zheng**

(10) **Patent No.:** **US D565,763 S**

(45) **Date of Patent:** **\*\* Apr. 1, 2008**

(54) **TAILLIGHT ASSEMBLY OF AN  
AUTOMOBILE**

D550,870 S \* 9/2007 Lin ..... D26/28

\* cited by examiner

(75) Inventor: **Chunhong Zheng**, Baoding (CN)

*Primary Examiner*—Marcus A. Jackson

(73) Assignee: **Great Wall Motor Company, Limited**,  
Baoding (CN)

(74) *Attorney, Agent, or Firm*—Courtney Staniford &  
Gregory LLP

(\*\*) Term: **14 Years**

(57) **CLAIM**

(21) Appl. No.: **29/284,342**

The ornamental design for taillight assembly of an automo-  
bile, as shown and described.

(22) Filed: **Sep. 5, 2007**

**DESCRIPTION**

(51) **LOC (8) Cl.** ..... **26-06**

(52) **U.S. Cl.** ..... **D26/28**

(58) **Field of Classification Search** ..... D26/28-36;  
362/459-468, 475-478, 485-487  
See application file for complete search history.

FIG. 1 is a front view of the taillight assembly of an  
automobile of the design;

FIG. 2 is a rear view thereof;

FIG. 3 is a left view thereof;

FIG. 4 is a right side view thereof;

FIG. 5 is a top side view thereof;

FIG. 6 is a bottom view thereof; and,

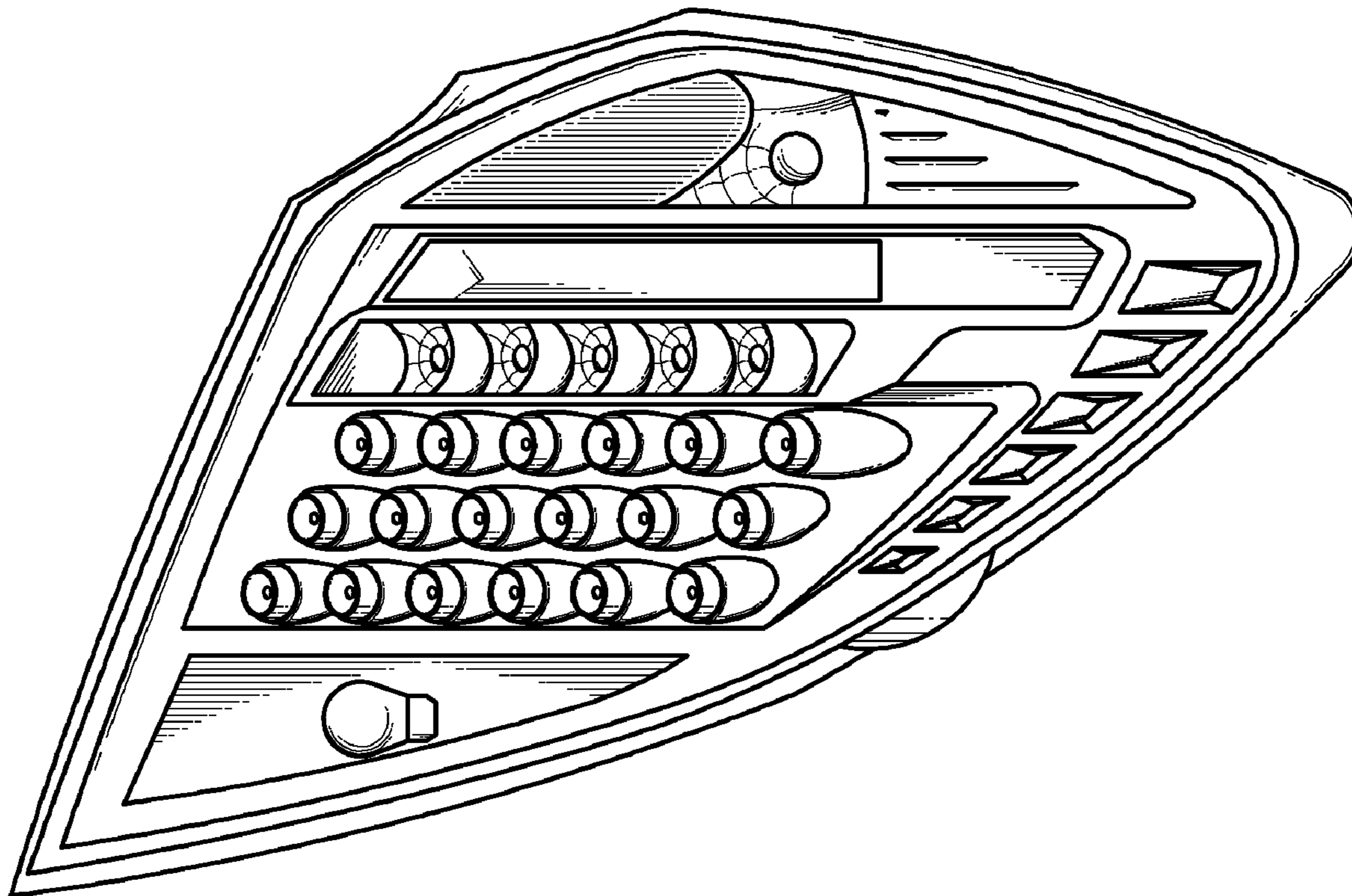
FIG. 7 is a perspective view thereof.

(56) **References Cited**

**U.S. PATENT DOCUMENTS**

D538,452 S *	3/2007	Pfeiffer	.....	D26/28
D539,450 S *	3/2007	Pfeiffer	.....	D26/28
D540,480 S *	4/2007	Pfeiffer	.....	D26/28
D549,363 S *	8/2007	Pfeiffer	.....	D26/28

**1 Claim, 4 Drawing Sheets**



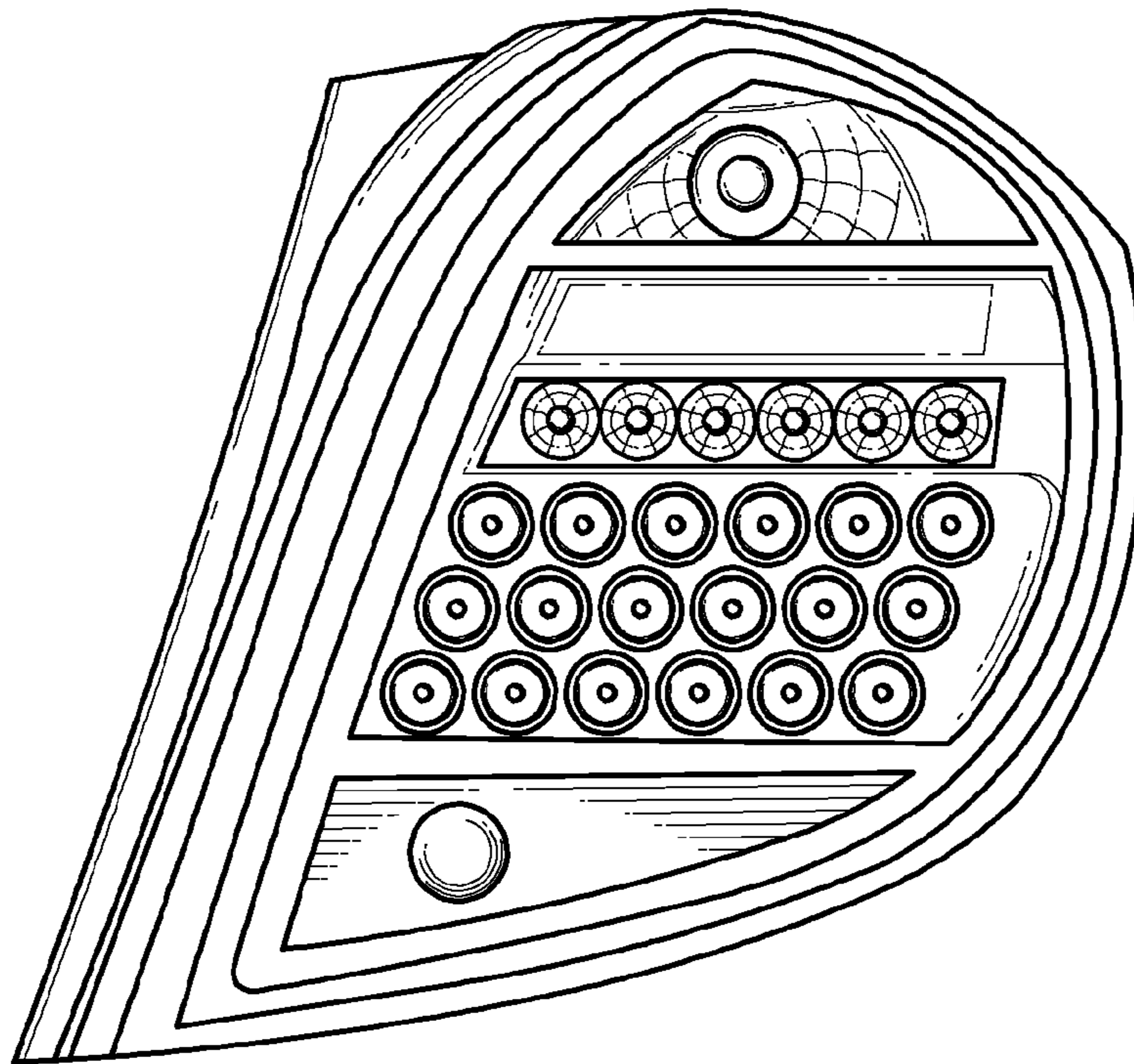


FIG.1

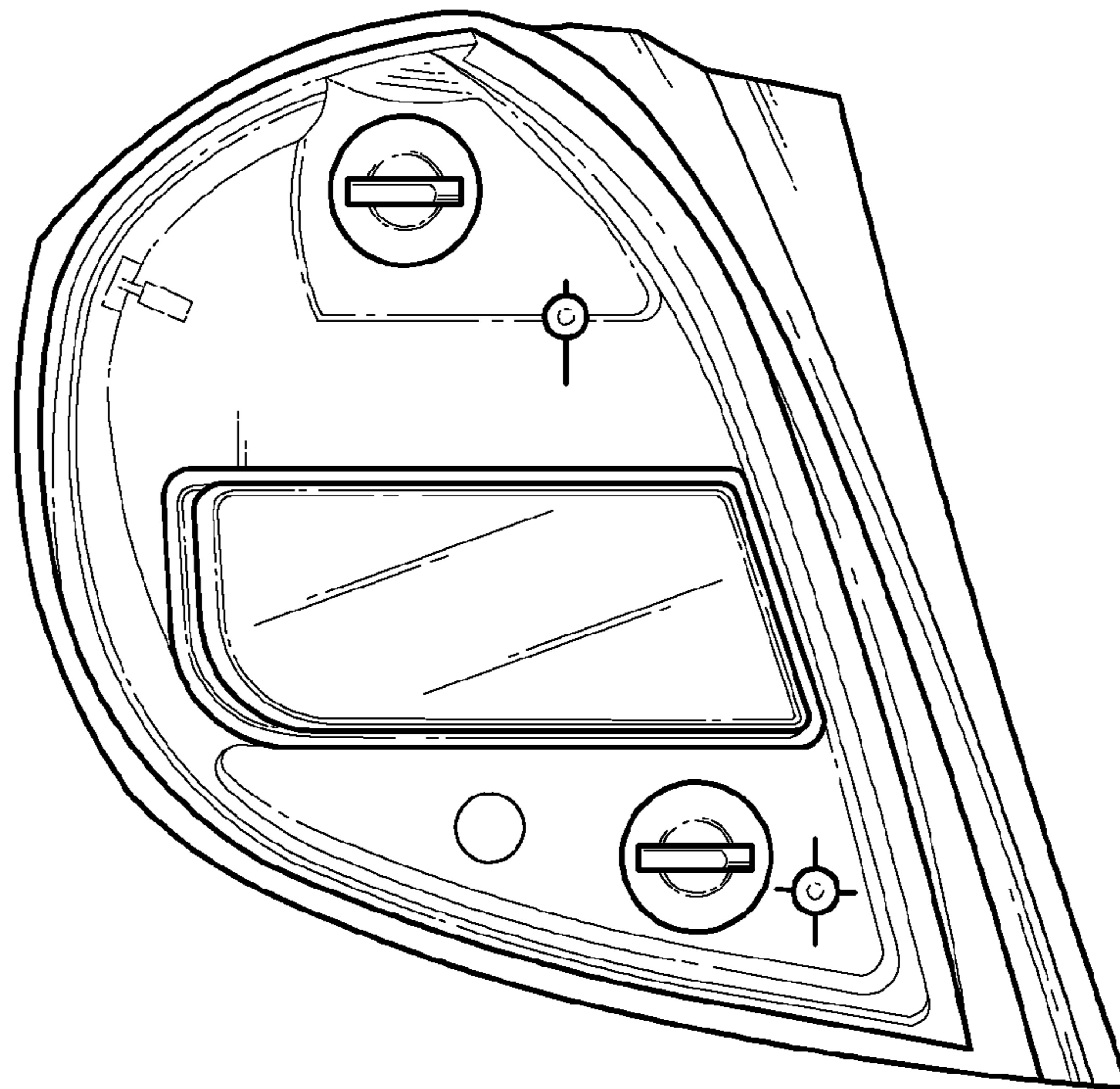


FIG.2

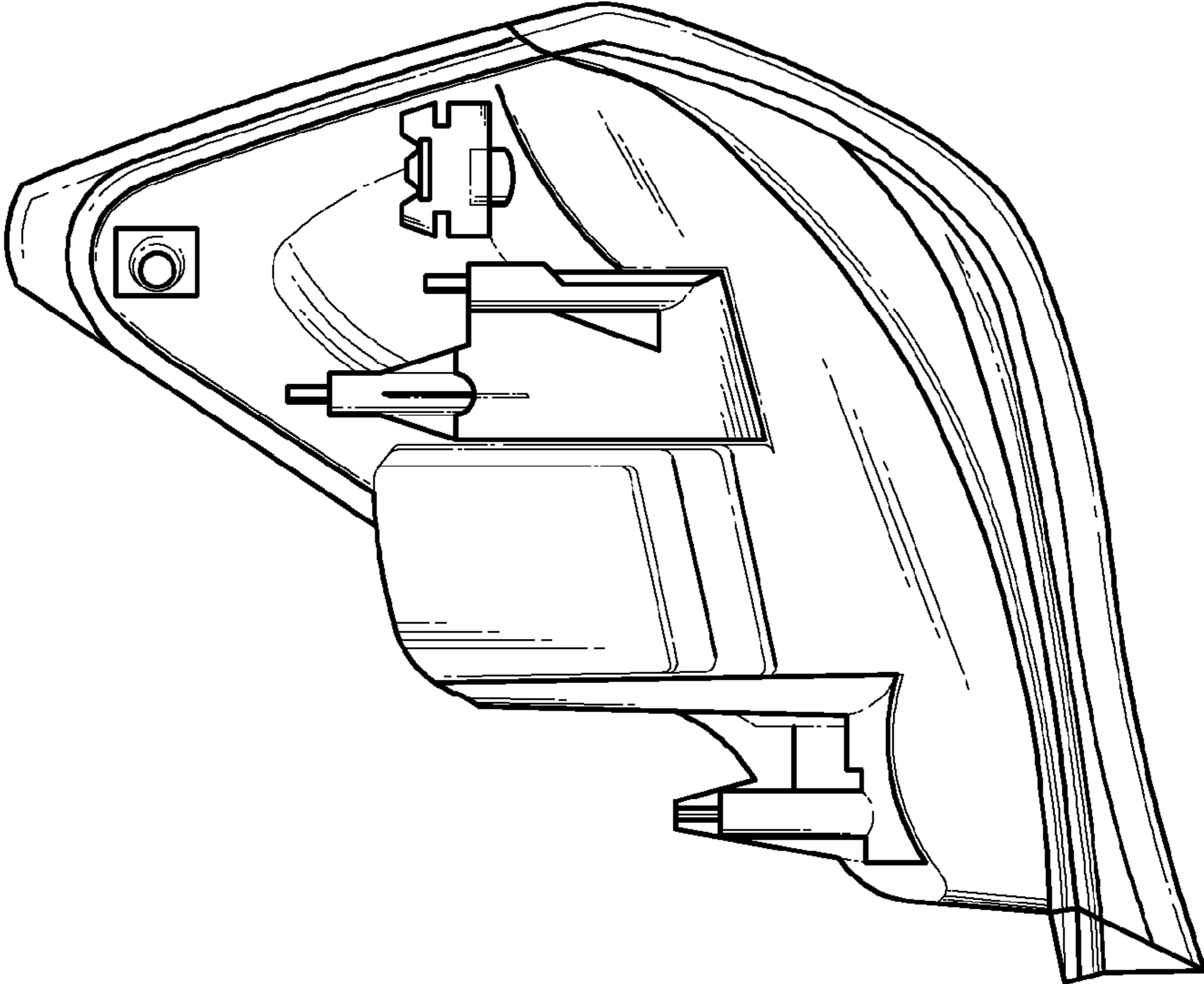


FIG.3

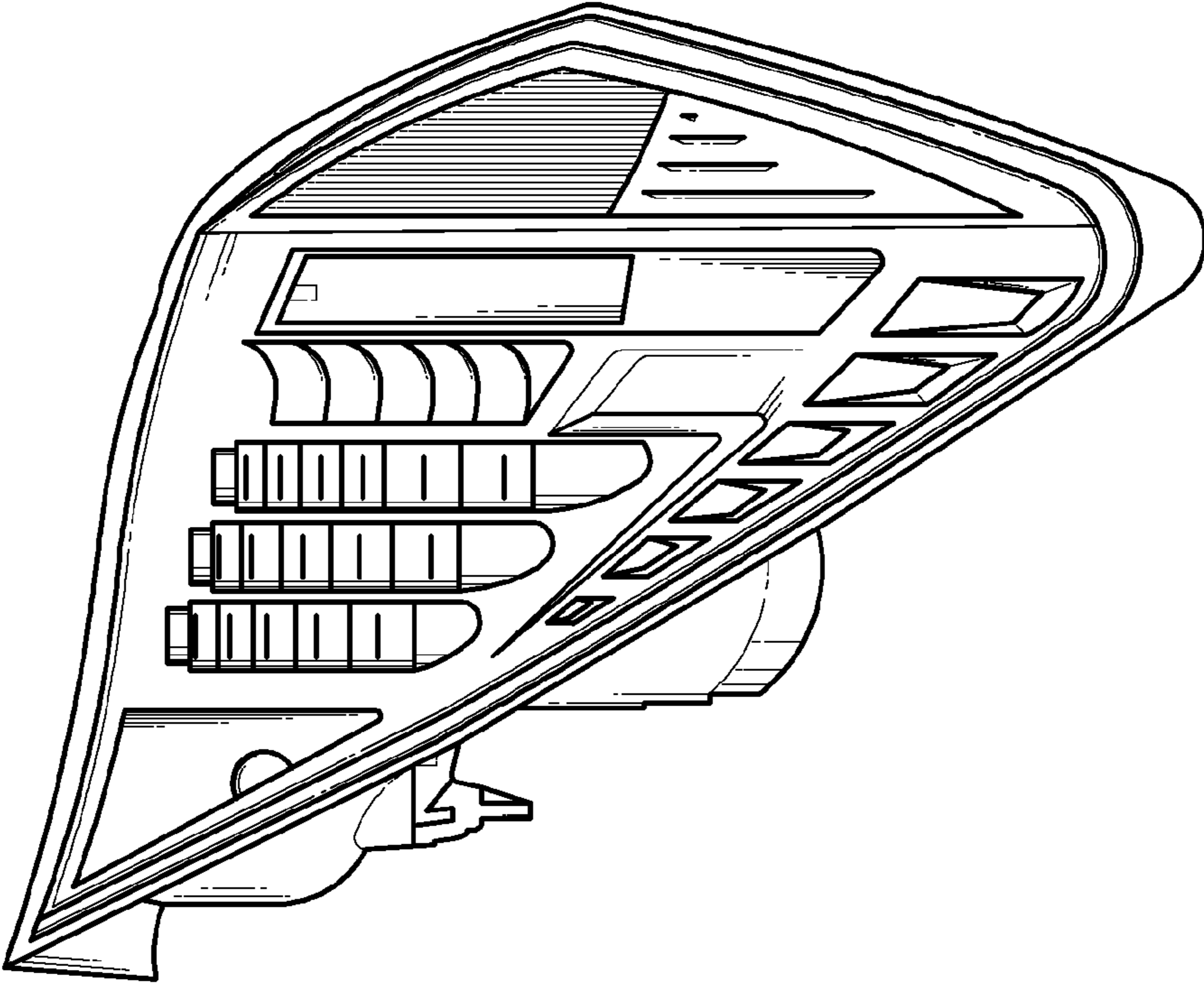


FIG.4

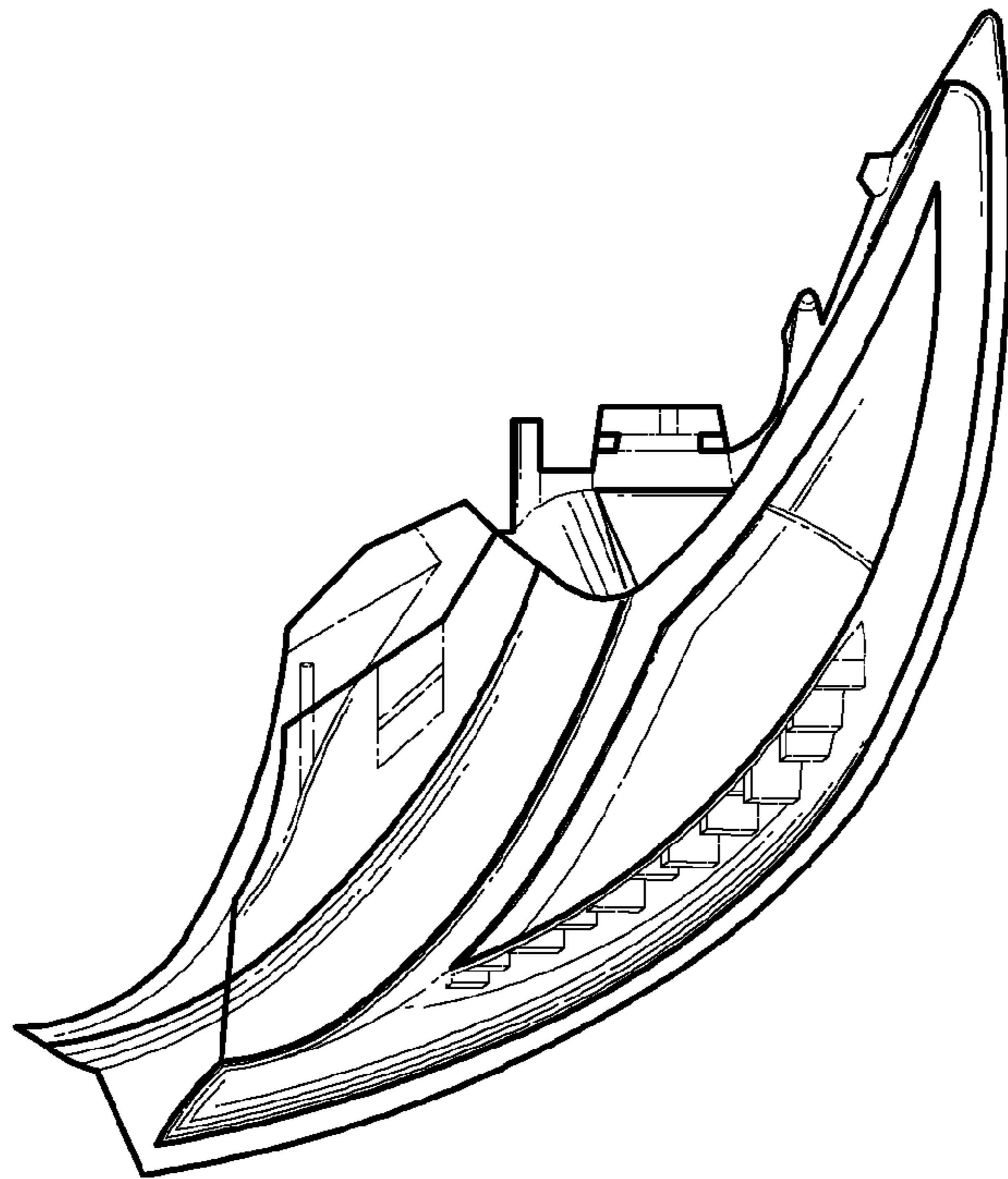


FIG. 5

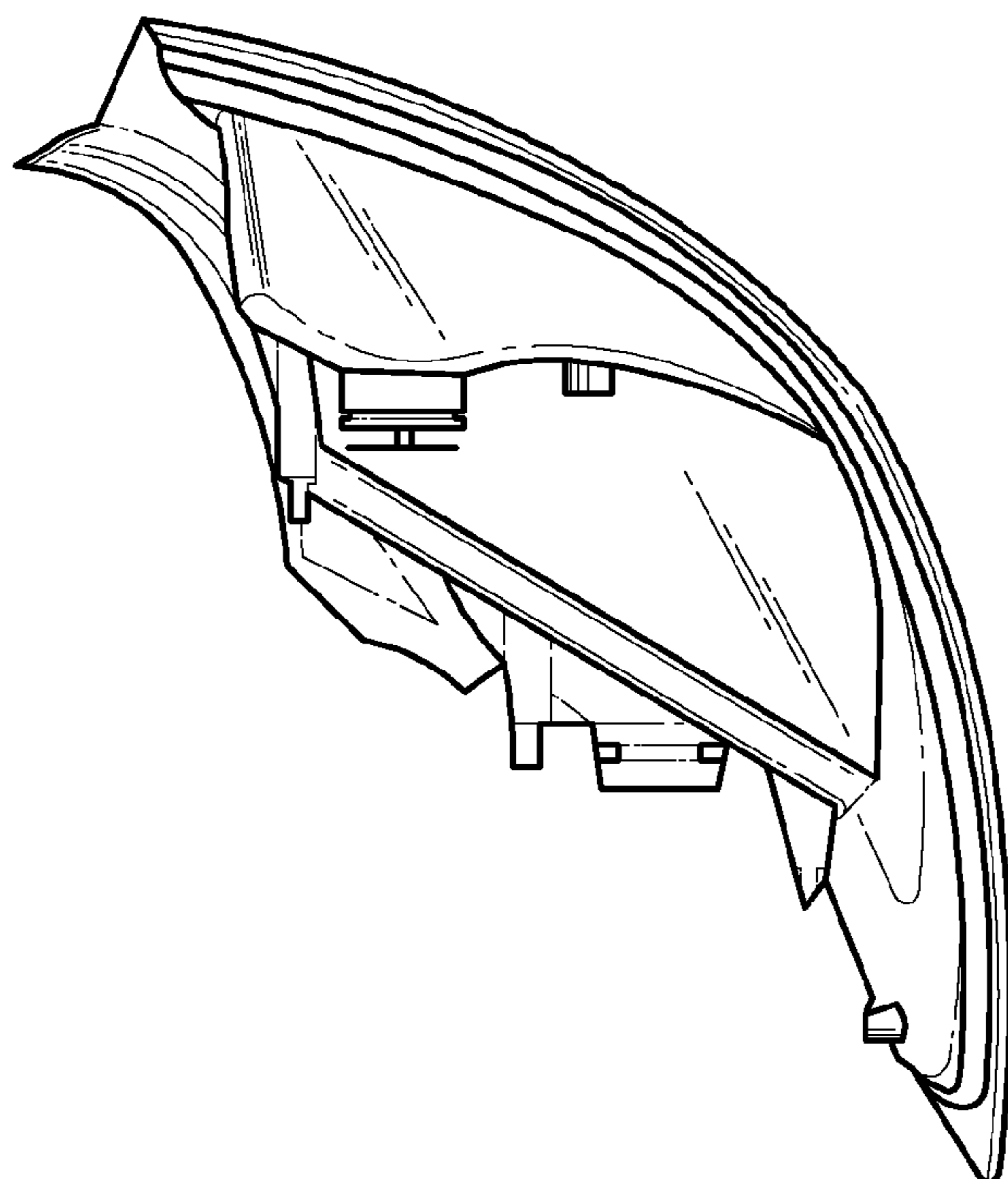


FIG. 6

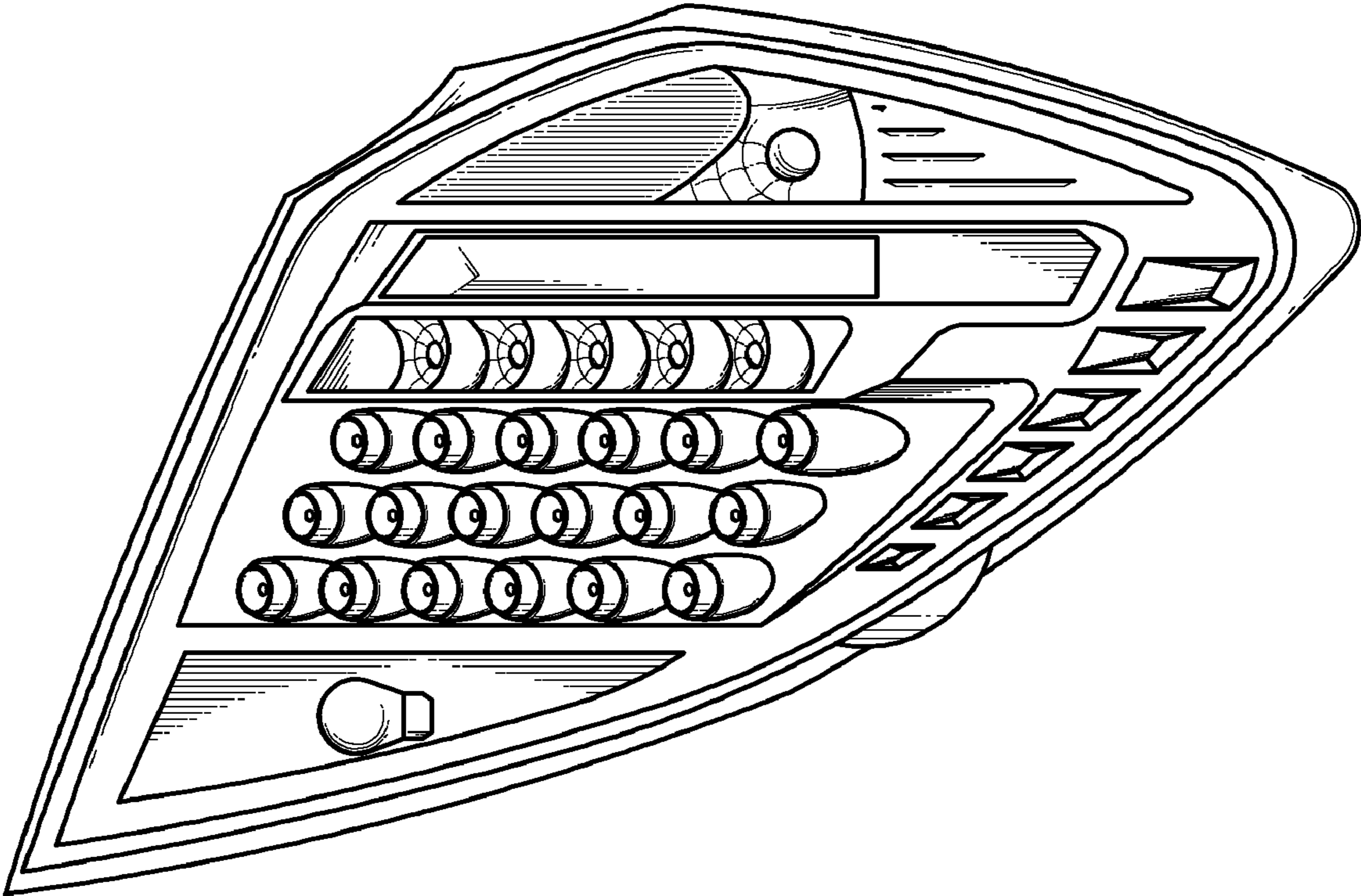


FIG.7