



US00D565762S

(12) **United States Design Patent**
Zheng

(10) **Patent No.:** **US D565,762 S**

(45) **Date of Patent:** **** Apr. 1, 2008**

(54) **HEADLIGHT ASSEMBLY OF AN
AUTOMOBILE**

D552,770 S * 10/2007 Davidson D26/28

* cited by examiner

(75) Inventor: **Chunhong Zheng**, Baoding (CN)

Primary Examiner—Marcus A. Jackson

(73) Assignee: **Great Wall Motor Company, Limited**,
Baoding (CN)

(74) *Attorney, Agent, or Firm*—Courtney Staniford &
Gregory LLP

(**) Term: **14 Years**

(57) **CLAIM**

(21) Appl. No.: **29/284,341**

The ornamental design for headlight assembly of an auto-
mobile, as shown and described.

(22) Filed: **Sep. 5, 2007**

DESCRIPTION

(51) **LOC (8) Cl.** **26-06**

FIG. 1 is a front view of the headlight assembly of an
automobile of the design;

(52) **U.S. Cl.** **D26/28**

FIG. 2 is a rear view thereof;

(58) **Field of Classification Search** D26/28-36;
362/459-468, 475-478, 485-487

FIG. 3 is a left view thereof;

See application file for complete search history.

FIG. 4 is a right side view thereof;

FIG. 5 is a top side view thereof;

(56) **References Cited**

U.S. PATENT DOCUMENTS

FIG. 6 is a bottom view thereof; and,

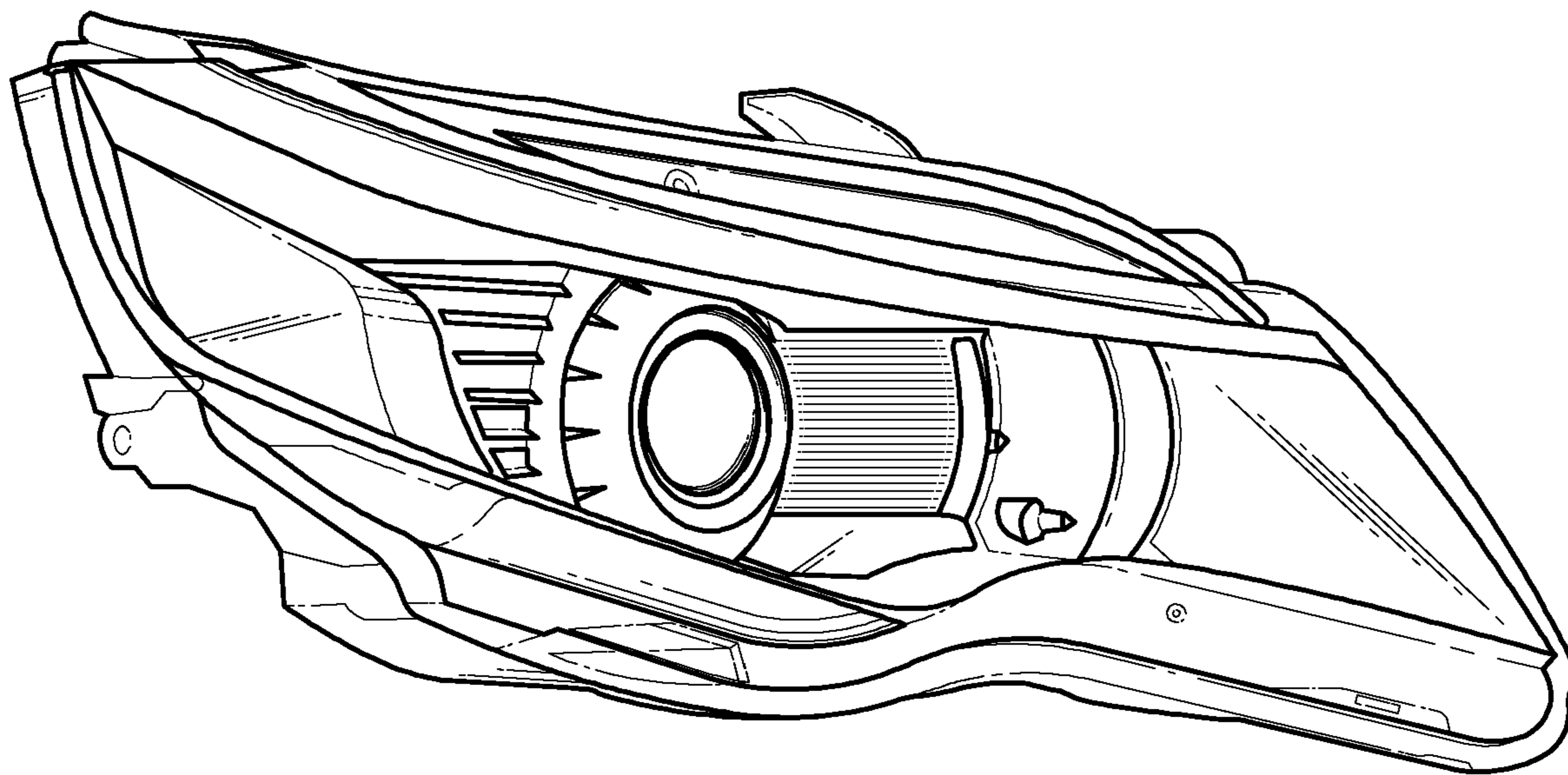
FIG. 7 is a perspective view thereof.

D535,764 S * 1/2007 Yamaguchi D26/28

D542,442 S * 5/2007 Matsunami D26/28

D544,614 S * 6/2007 Markefka D26/28

1 Claim, 4 Drawing Sheets



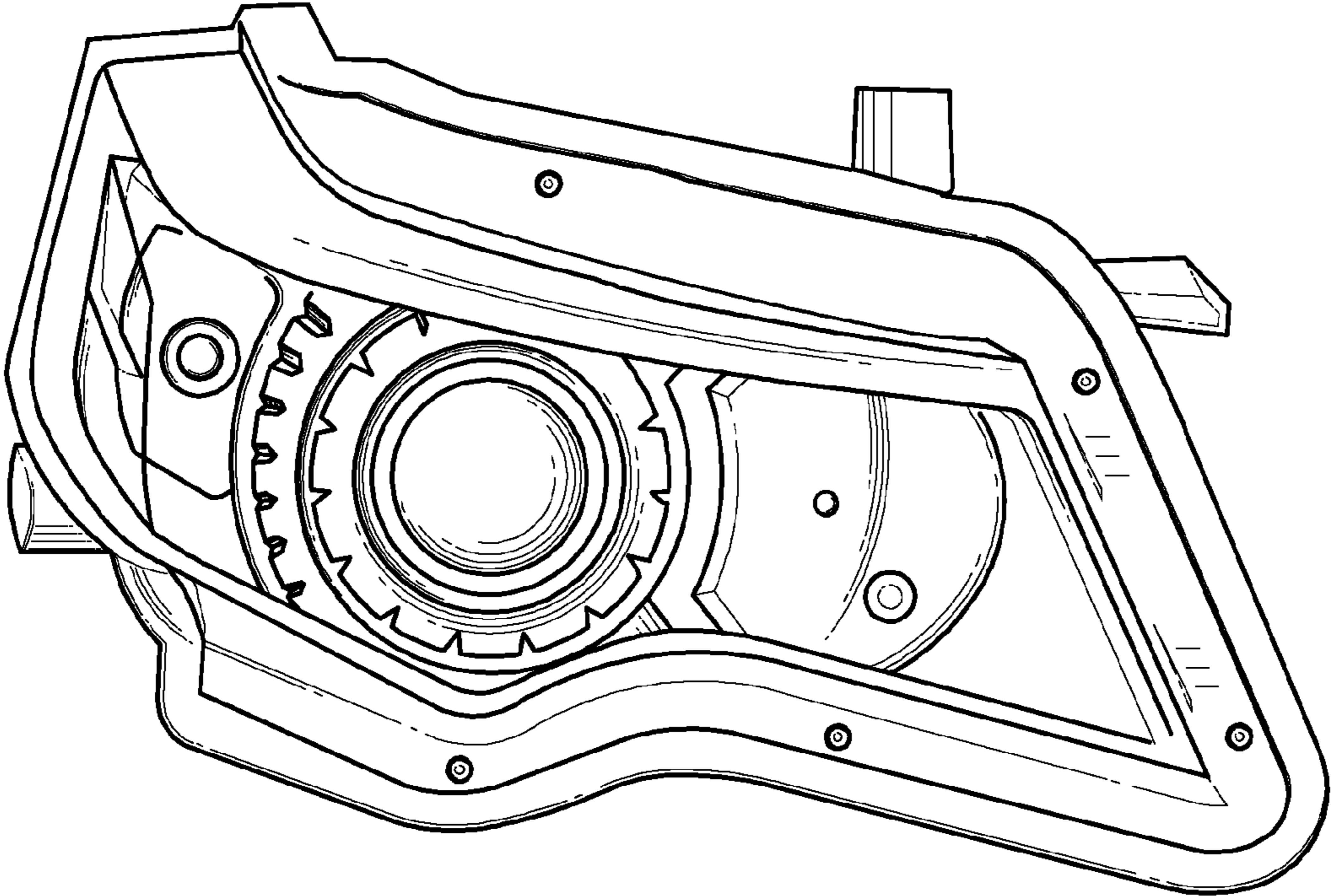


FIG.1

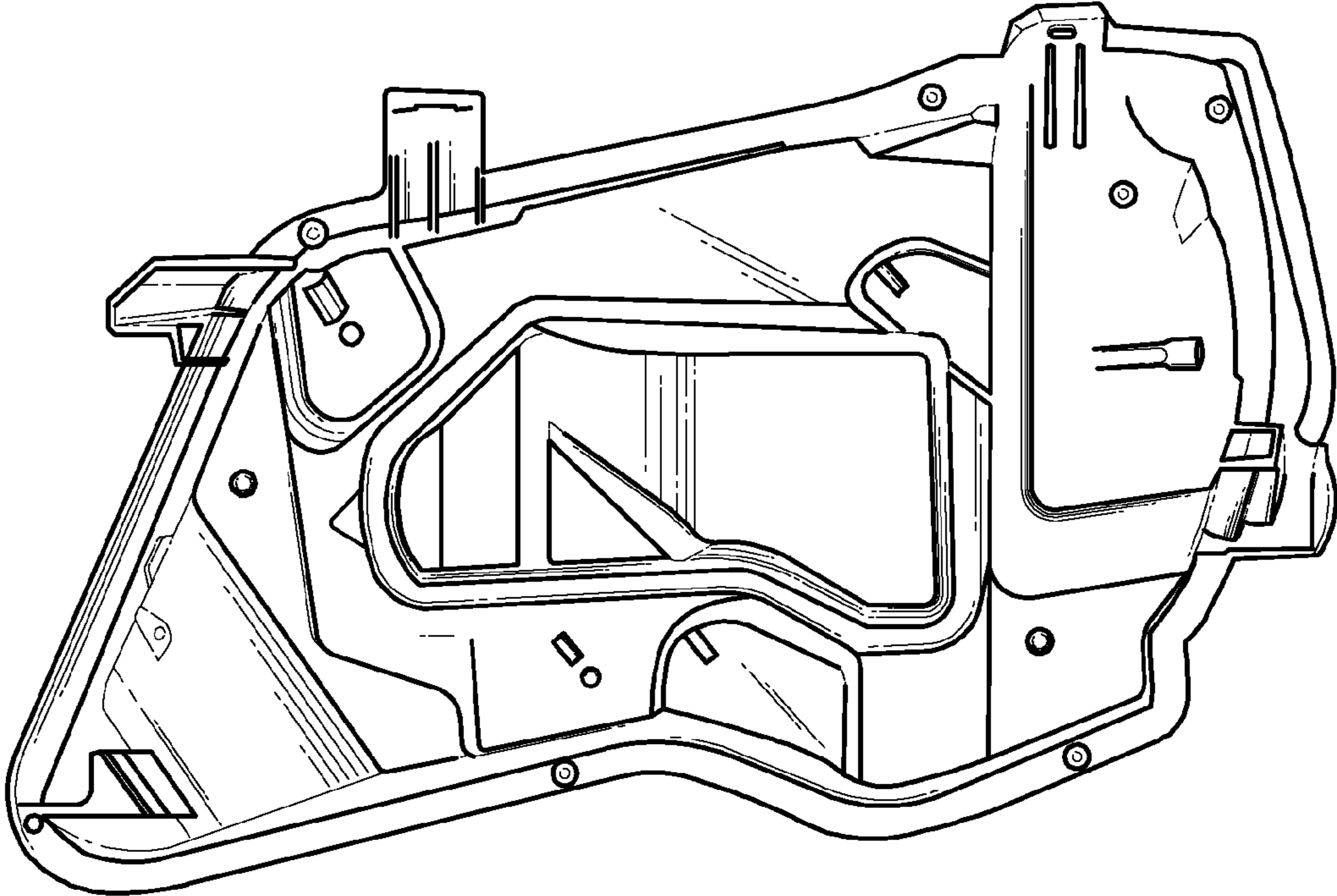


FIG.2

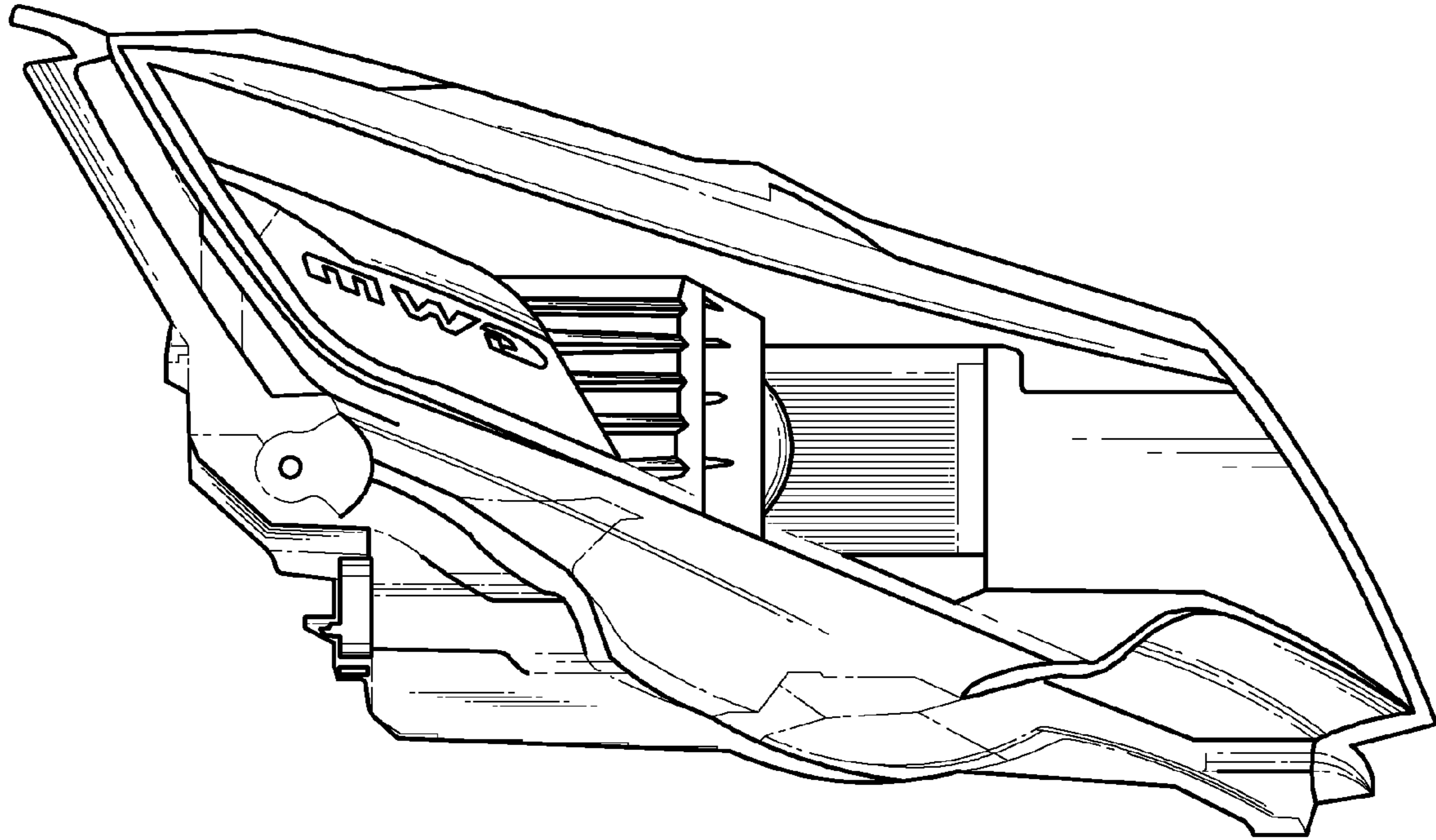


FIG. 3

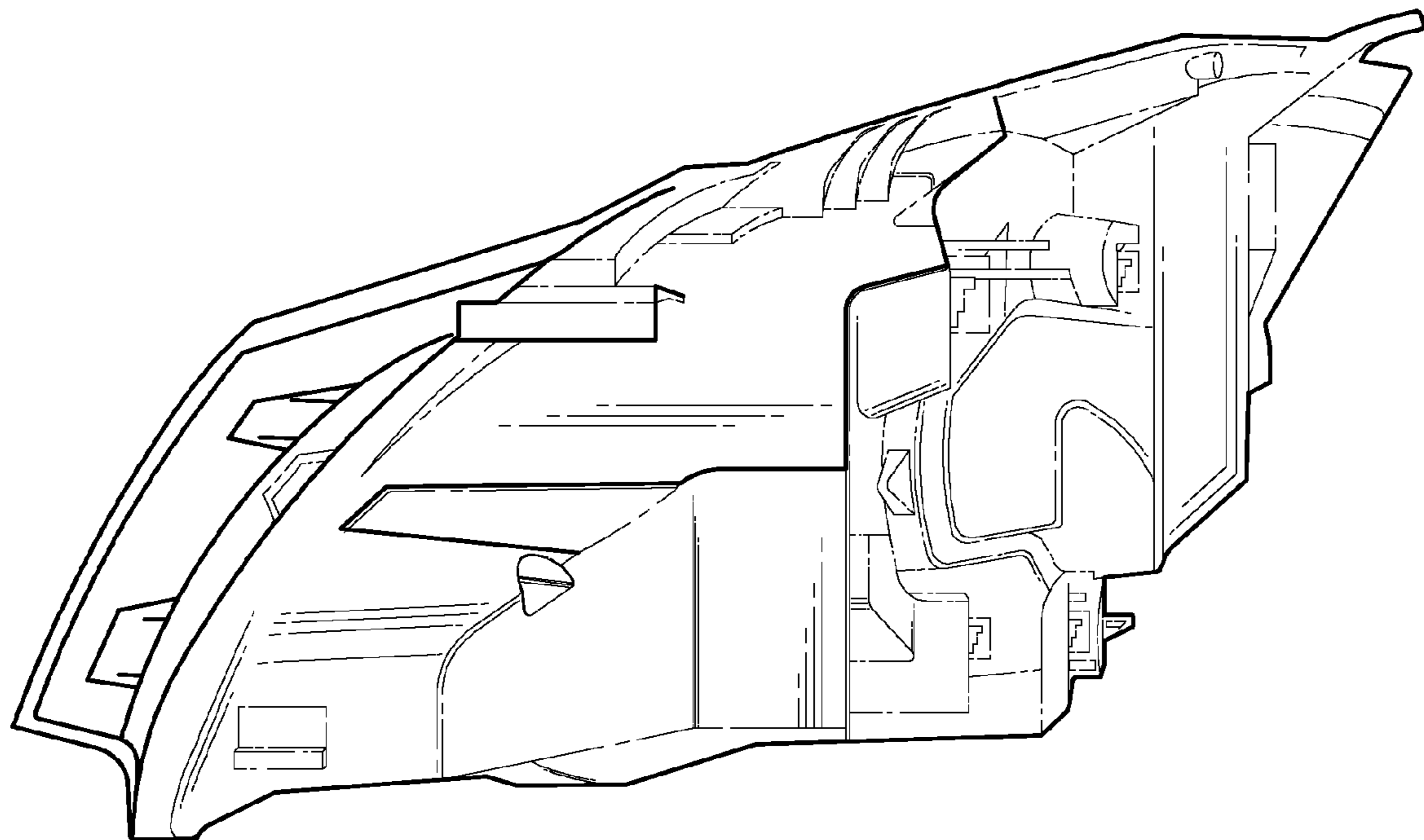


FIG. 4

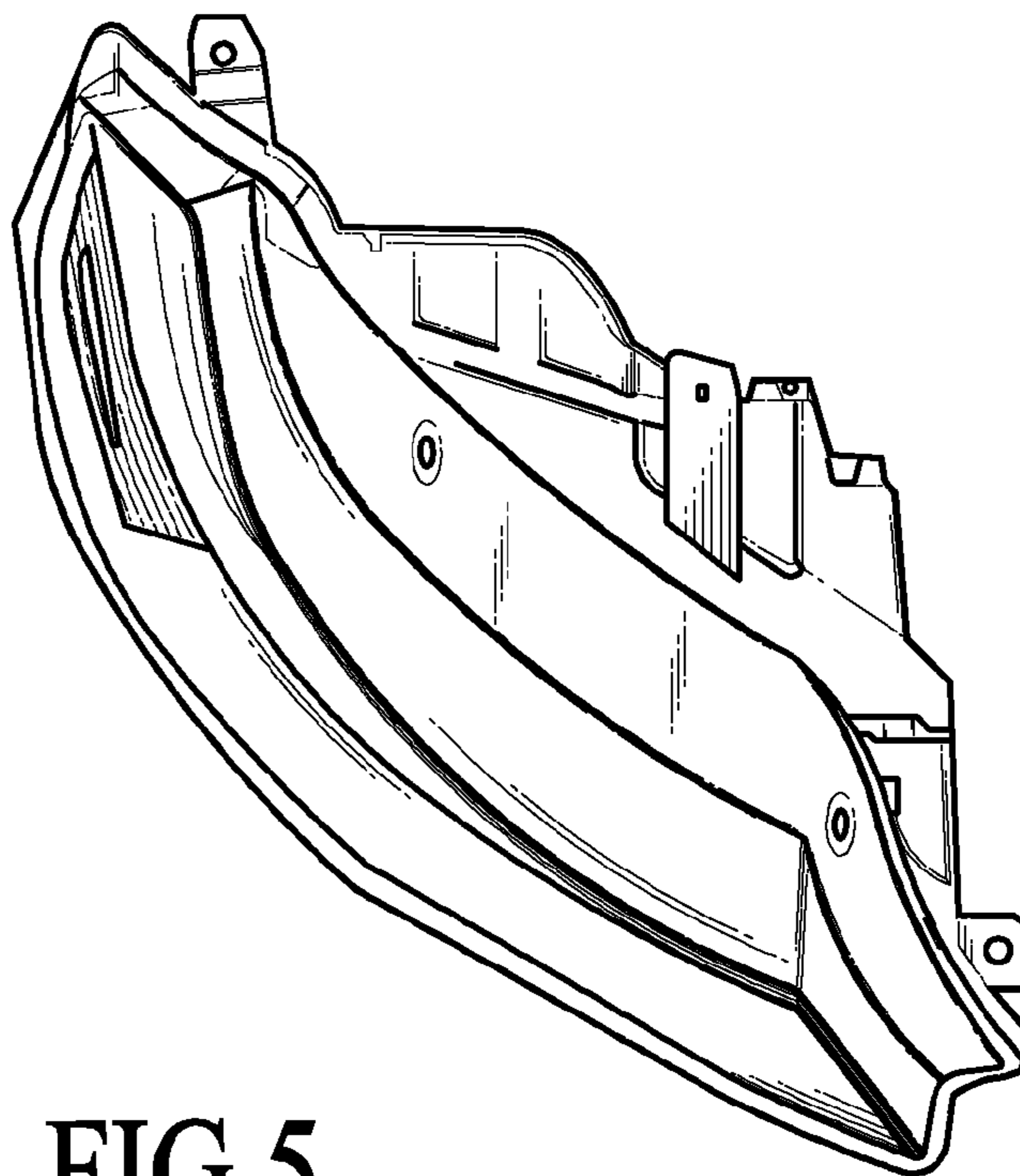


FIG.5

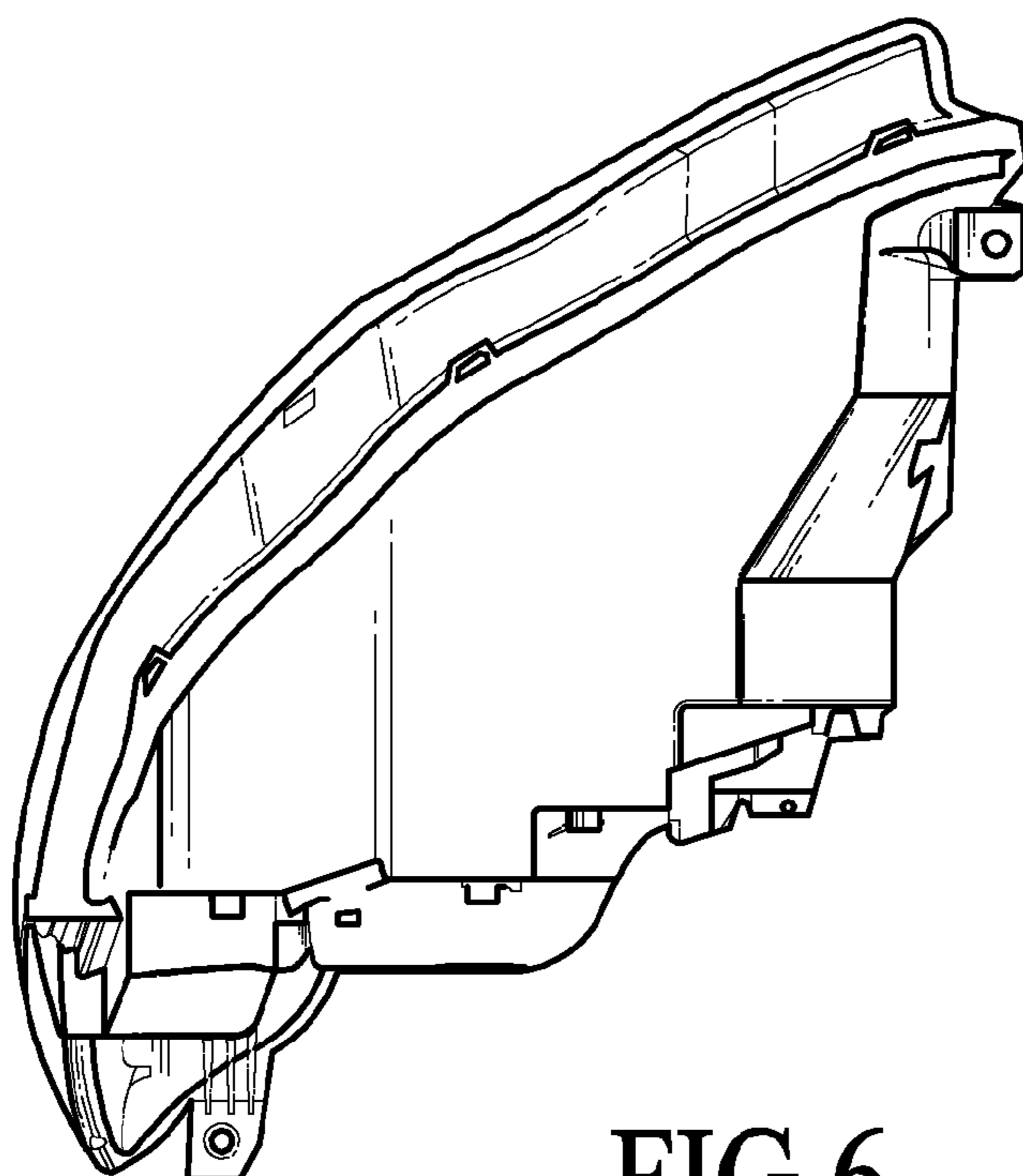


FIG.6

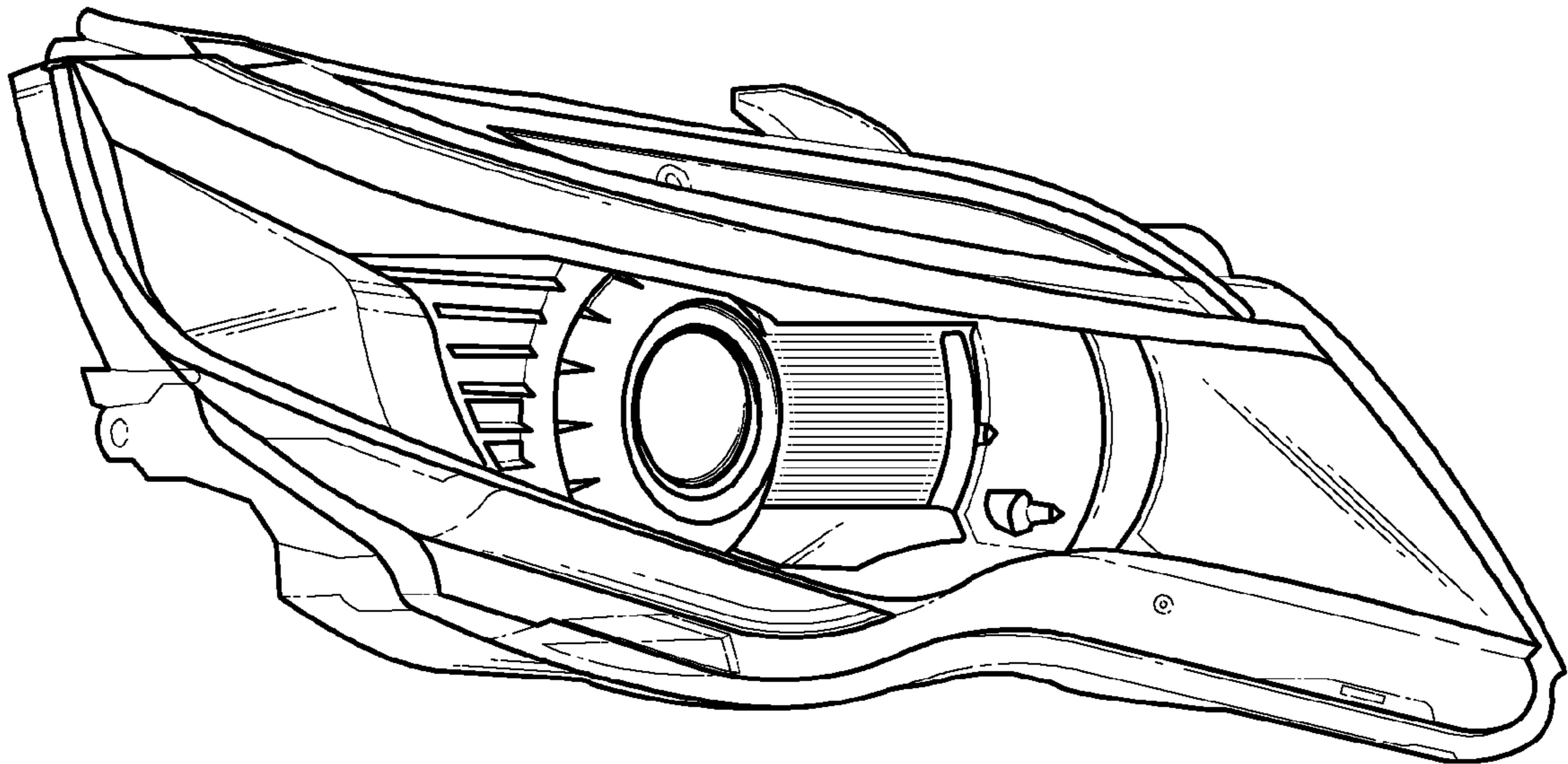


FIG.7