

US00D565761S

(12) **United States Design Patent**
Yang

(10) **Patent No.:** **US D565,761 S**

(45) **Date of Patent:** **** Apr. 1, 2008**

(54) **AUTOMOTIVE LAMP**

D532,535 S * 11/2006 Lin D26/28

* cited by examiner

(76) Inventor: **Hsiu Pen Yang**, No. 427 Sec. 2,
Wenhua Road, Panchiao, Taipei (TW)

Primary Examiner—Marcus A. Jackson

(**) Term: **14 Years**

(57) **CLAIM**

(21) Appl. No.: **29/269,801**

I claim the ornamental design for the automotive lamp, as shown and described.

(22) Filed: **Dec. 8, 2006**

(51) **LOC (8) Cl.** **26-06**

(52) **U.S. Cl.** **D26/28**

(58) **Field of Classification Search** D26/28-36;
362/459-468, 475-478, 485-487

See application file for complete search history.

DESCRIPTION

FIG. 1 is a top plan view thereof;
FIG. 2 is a left side view thereof;
FIG. 3 is a front elevational view thereof;
FIG. 4 is a right side elevational view thereof; and,
FIG. 5 is a bottom plan view.

The portion of the invention not shown in the drawings forms no part of the claimed design.

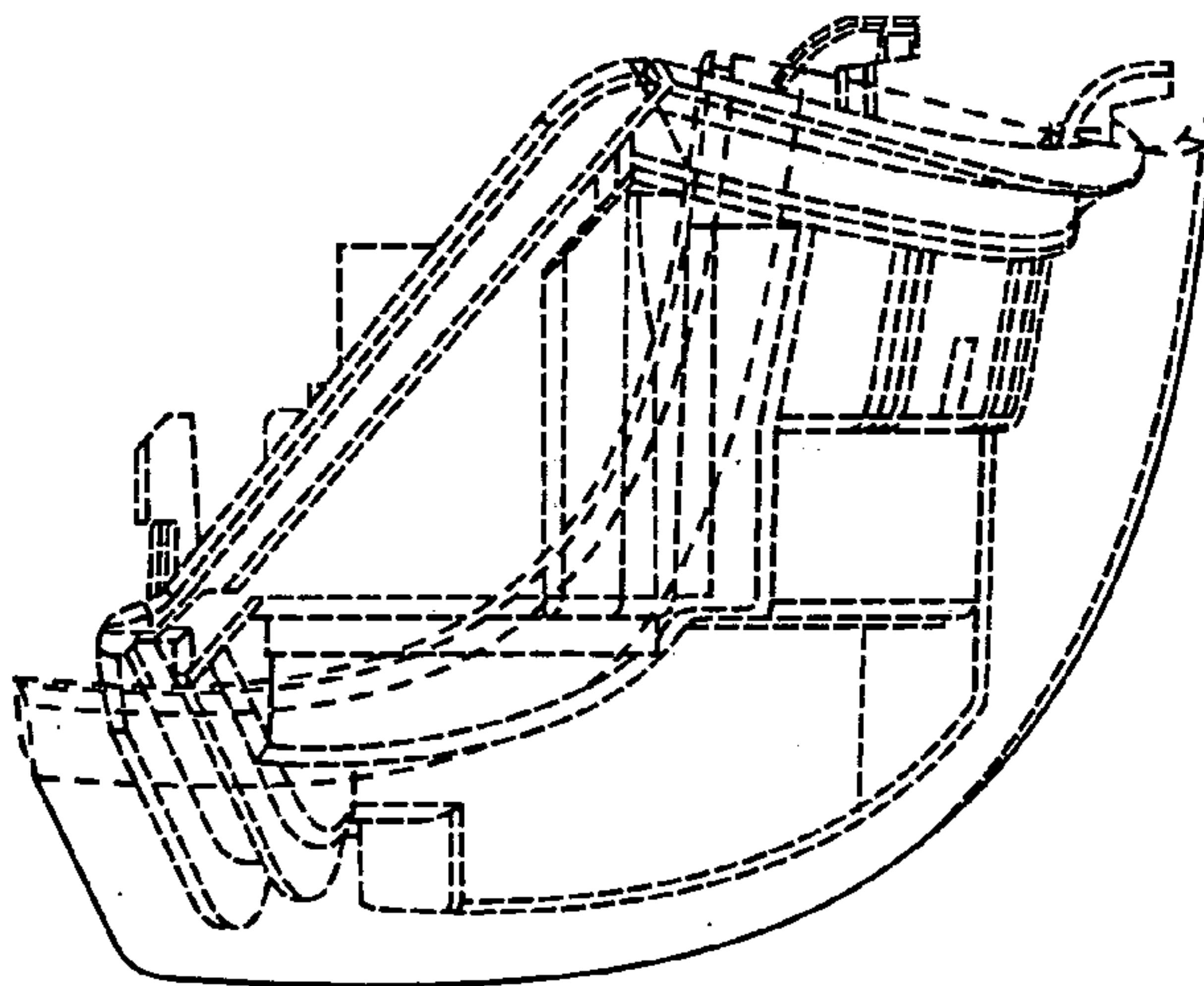
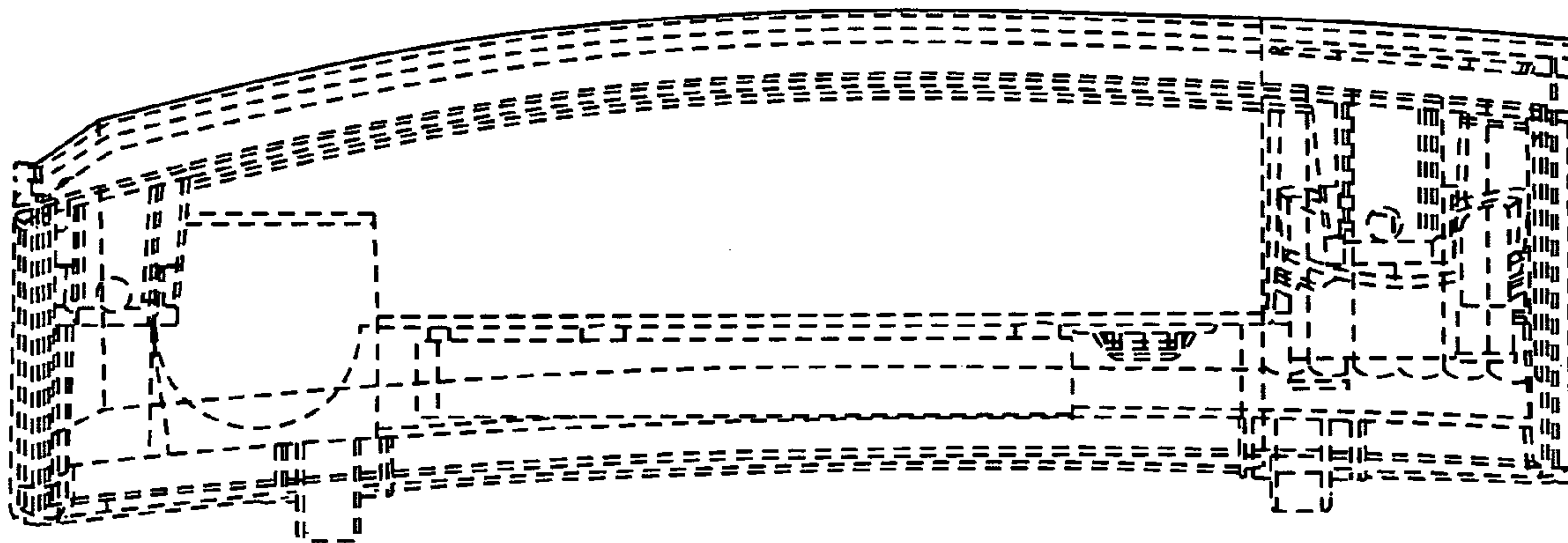
(56) **References Cited**

U.S. PATENT DOCUMENTS

D518,198 S * 3/2006 Chuang D26/28

D523,572 S * 6/2006 Chuang D26/28

1 Claim, 3 Drawing Sheets



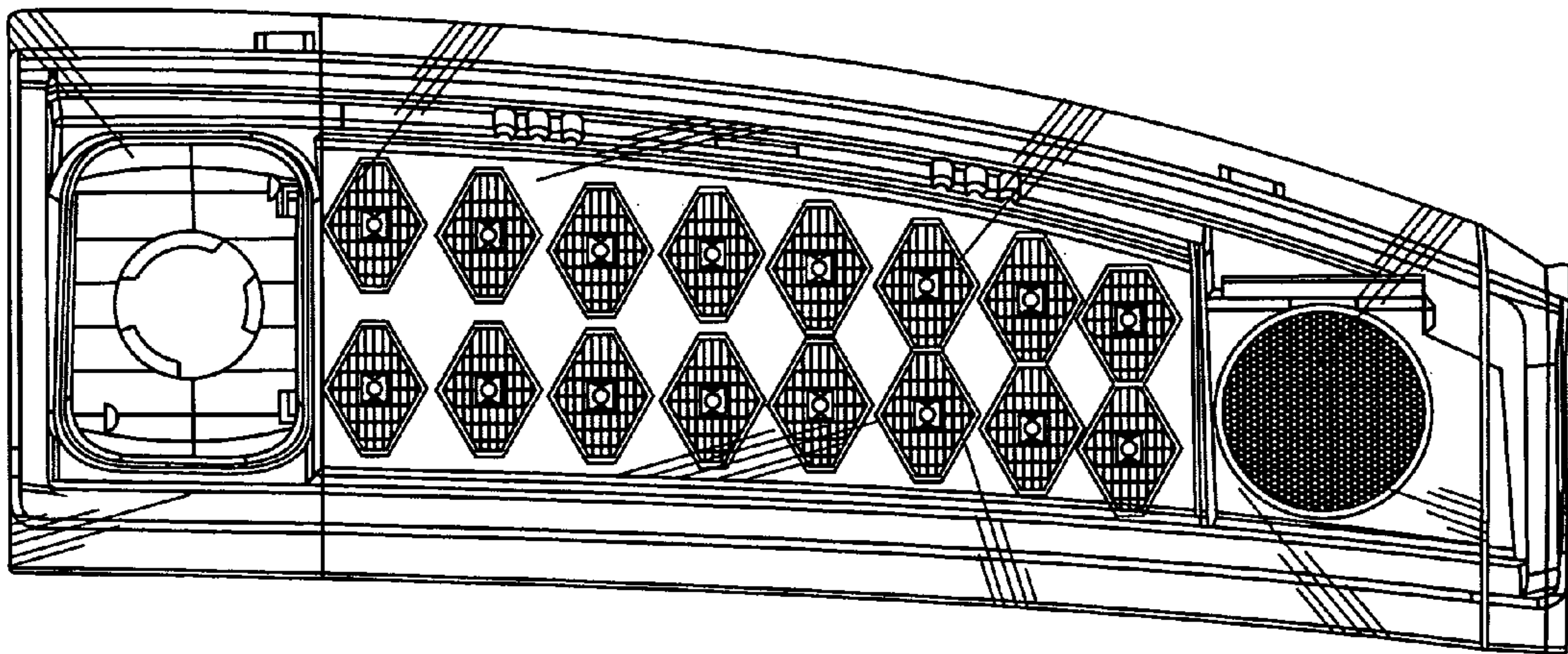


FIG. 1

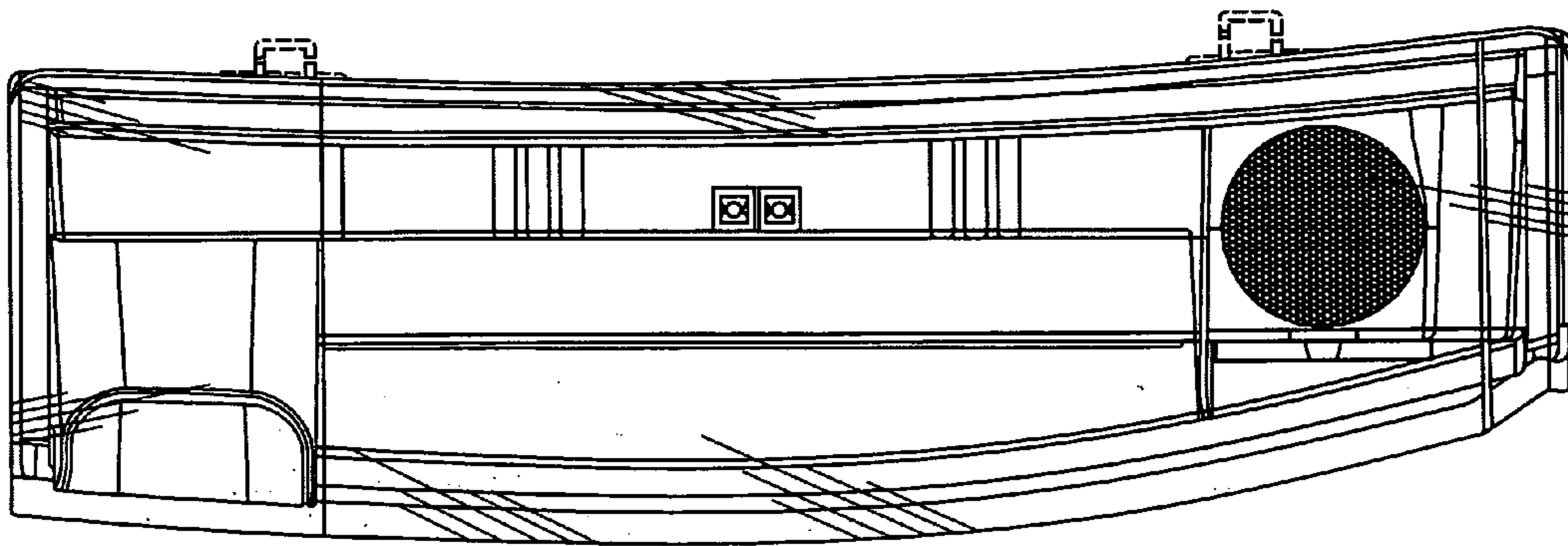


FIG. 2

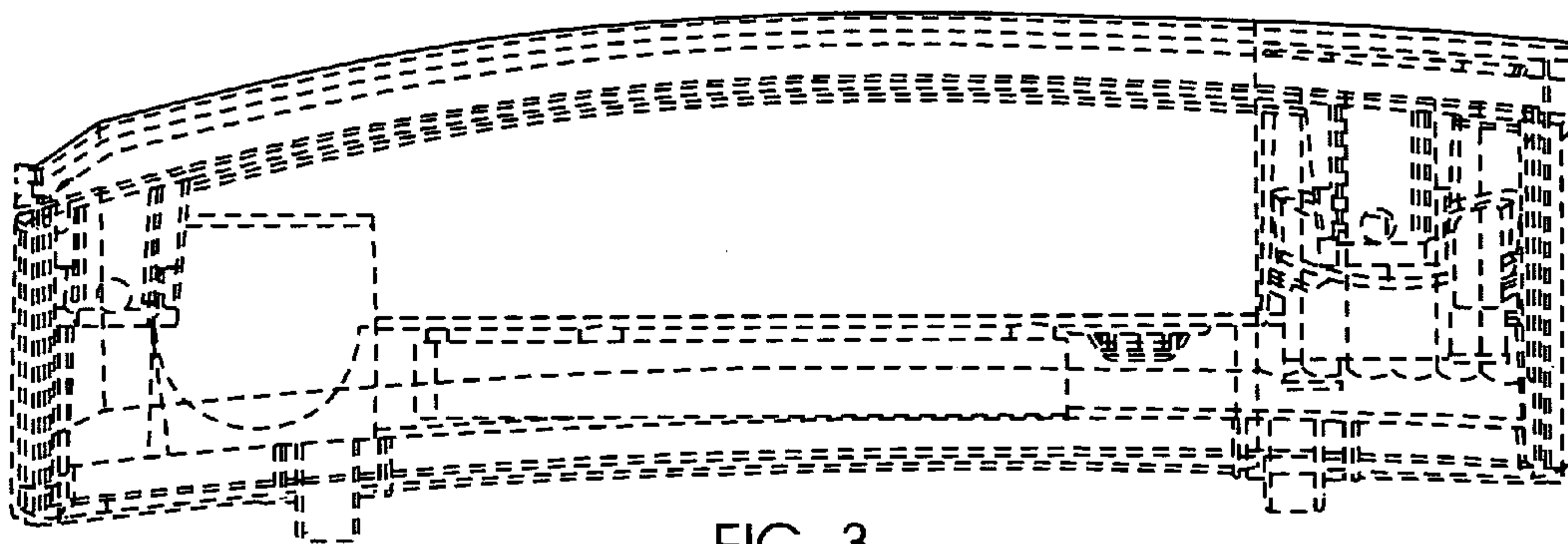


FIG. 3

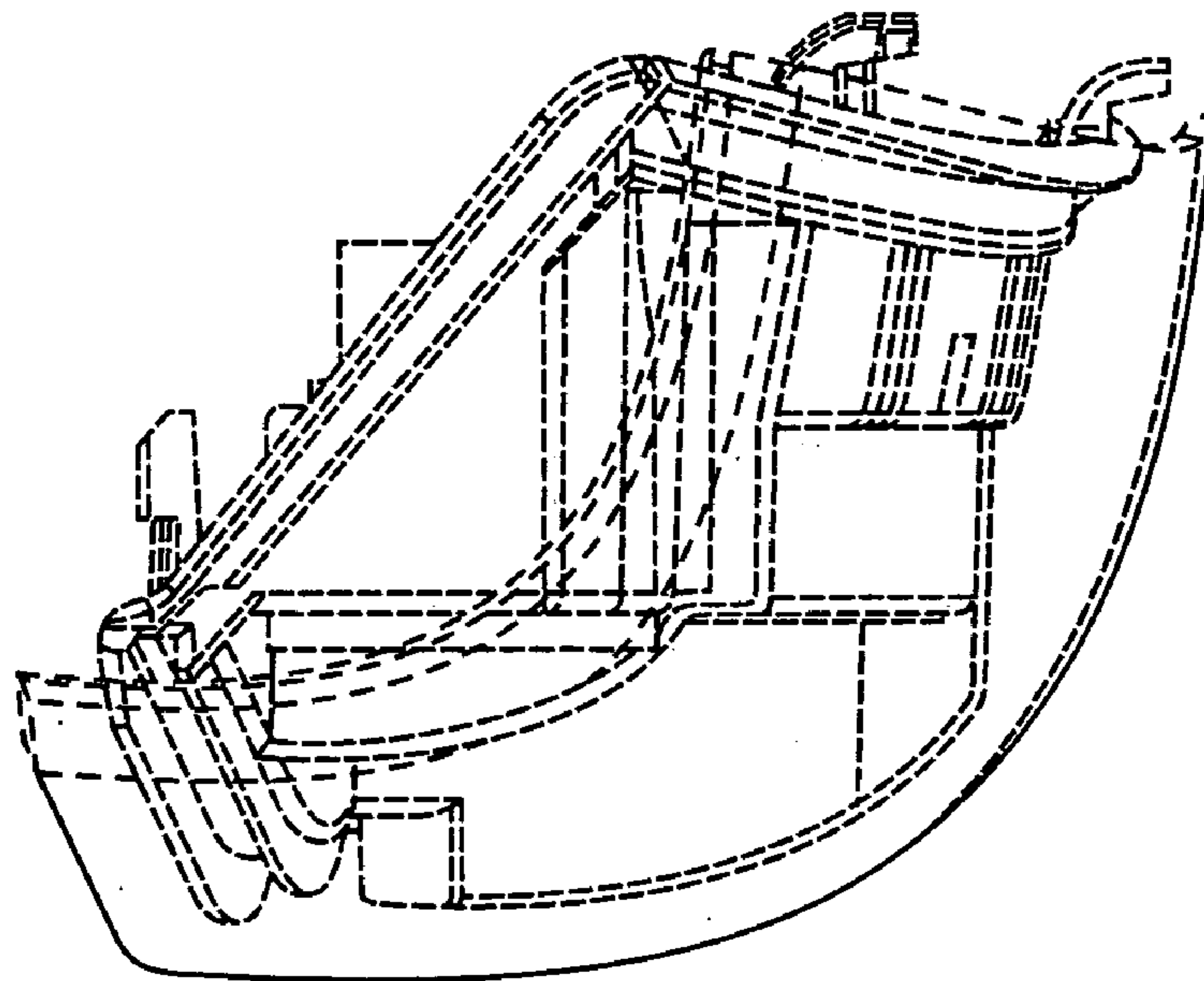


FIG. 4

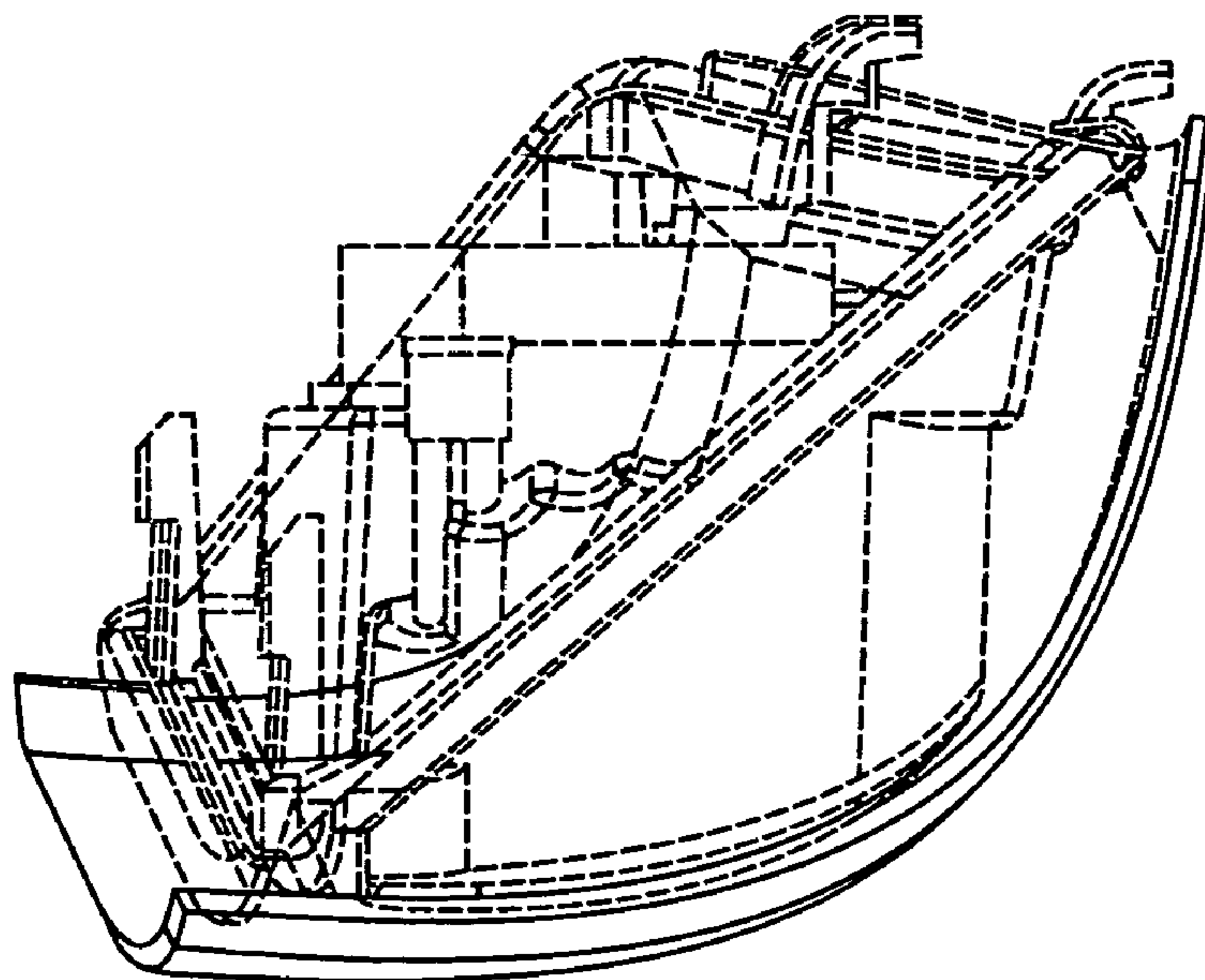


FIG. 5