

US00D565760S

(12) **United States Design Patent**
Yang

(10) **Patent No.:** **US D565,760 S**

(45) **Date of Patent:** **** Apr. 1, 2008**

(54) **AUTOMOTIVE LAMP**

D518,904 S * 4/2006 Nakamura D26/28

(76) **Inventor:** **Hsiu Pen Yang**, No. 427 Sec 2,
Wenhua Road, Panchiao, Taipei (TW)

* cited by examiner

Primary Examiner—Marcus A. Jackson

(**) **Term:** **14 Years**

(57) **CLAIM**

(21) **Appl. No.:** **29/269,800**

I claim the ornamental design for the automotive lamp, as shown and described.

(22) **Filed:** **Dec. 8, 2006**

(51) **LOC (8) Cl.** **26-06**

(52) **U.S. Cl.** **D26/28**

(58) **Field of Classification Search** D26/28-36;
362/459-468, 475-478, 485-487

See application file for complete search history.

DESCRIPTION

(56) **References Cited**

FIG. 1 is a left side elevational view thereof;

FIG. 2 is a front elevational view thereof;

FIG. 3 is a right side elevational view thereof;

FIG. 4 is a top plan view thereof; and,

FIG. 5 is a bottom plan view.

The portion of the invention not shown in the drawings forms no part of the claimed design.

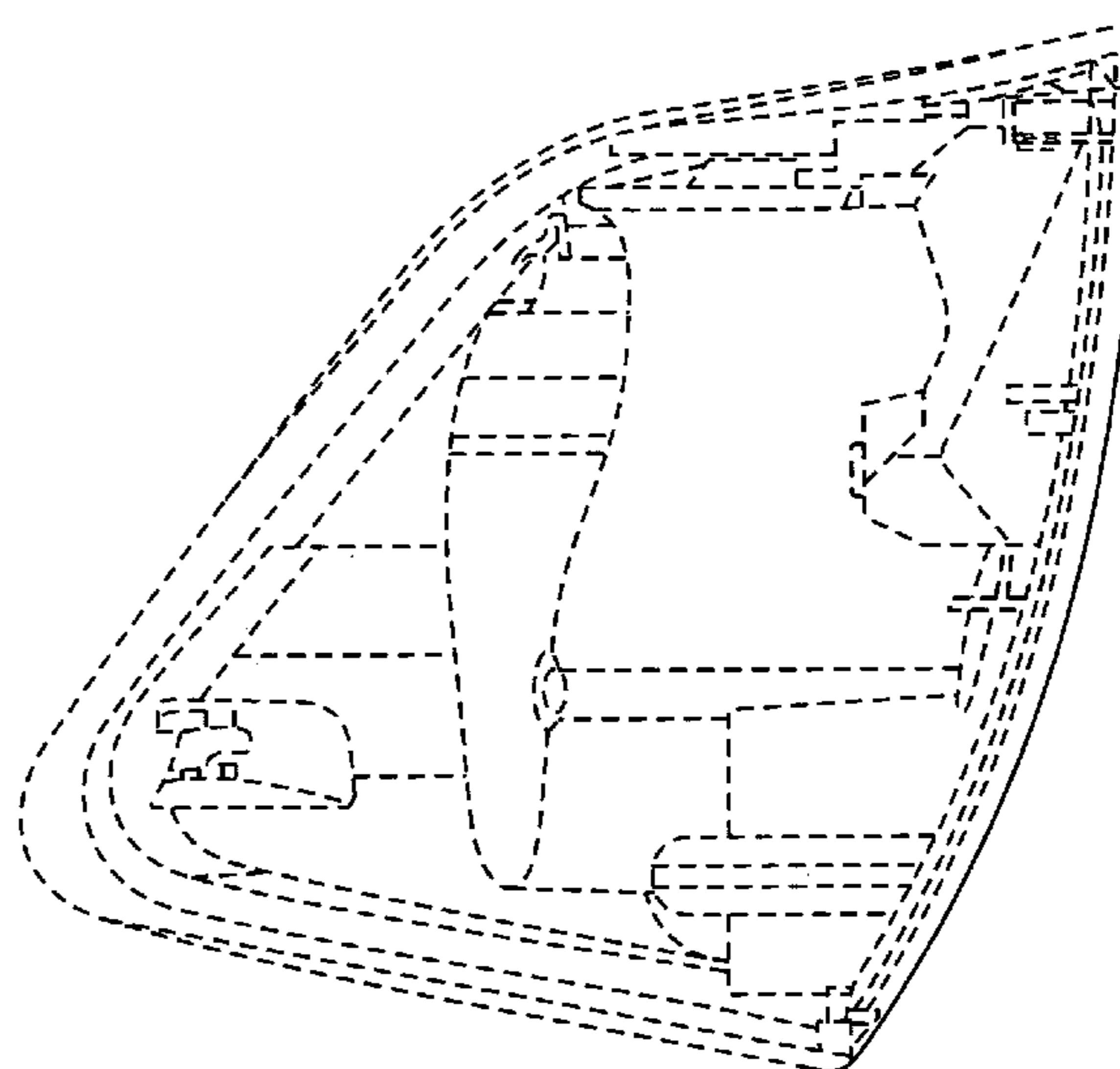
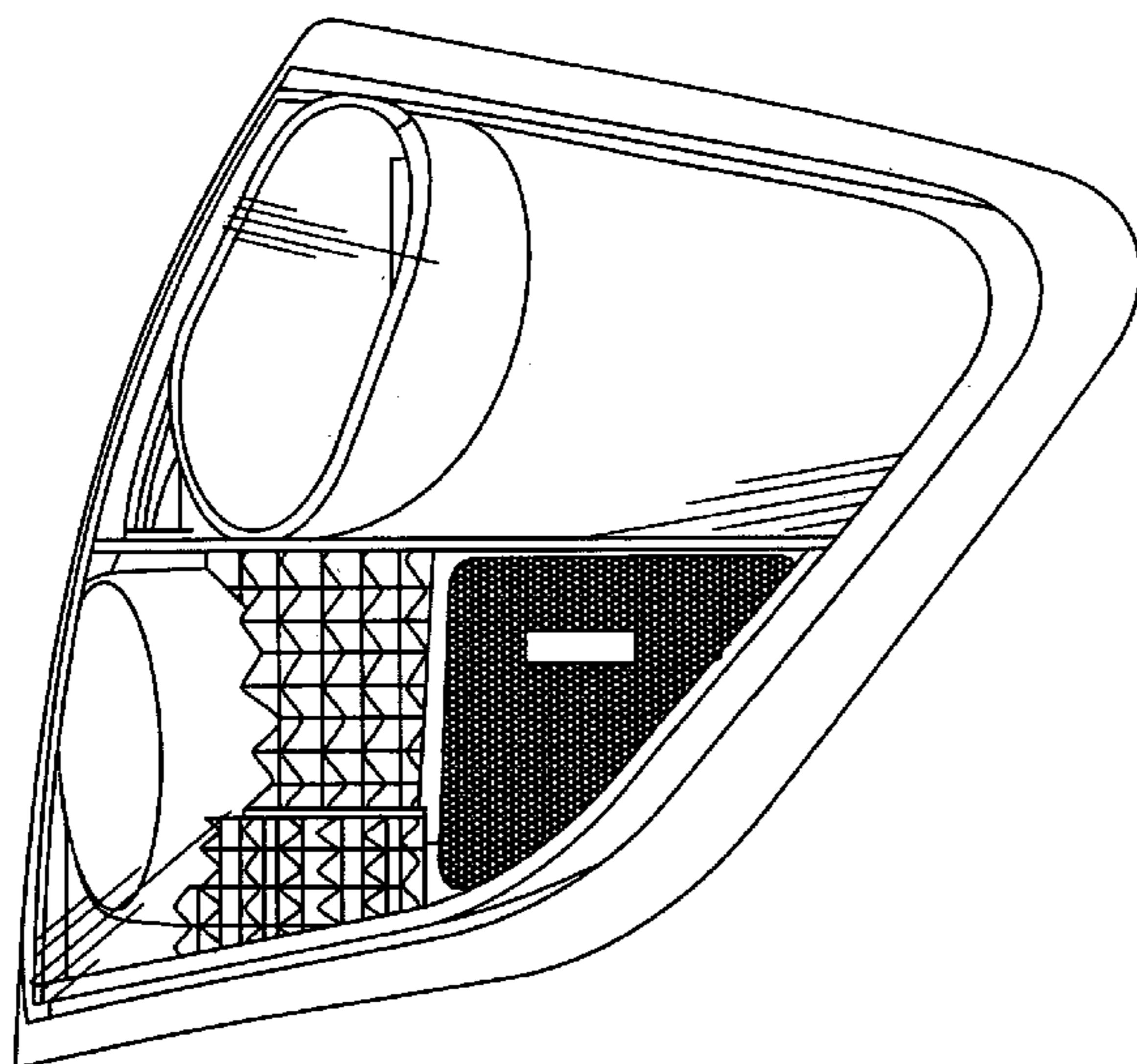
U.S. PATENT DOCUMENTS

D500,372 S * 12/2004 Tamura D26/28

D501,053 S * 1/2005 Kamimura et al. D26/28

D509,311 S * 9/2005 Tomida D26/28

1 Claim, 4 Drawing Sheets



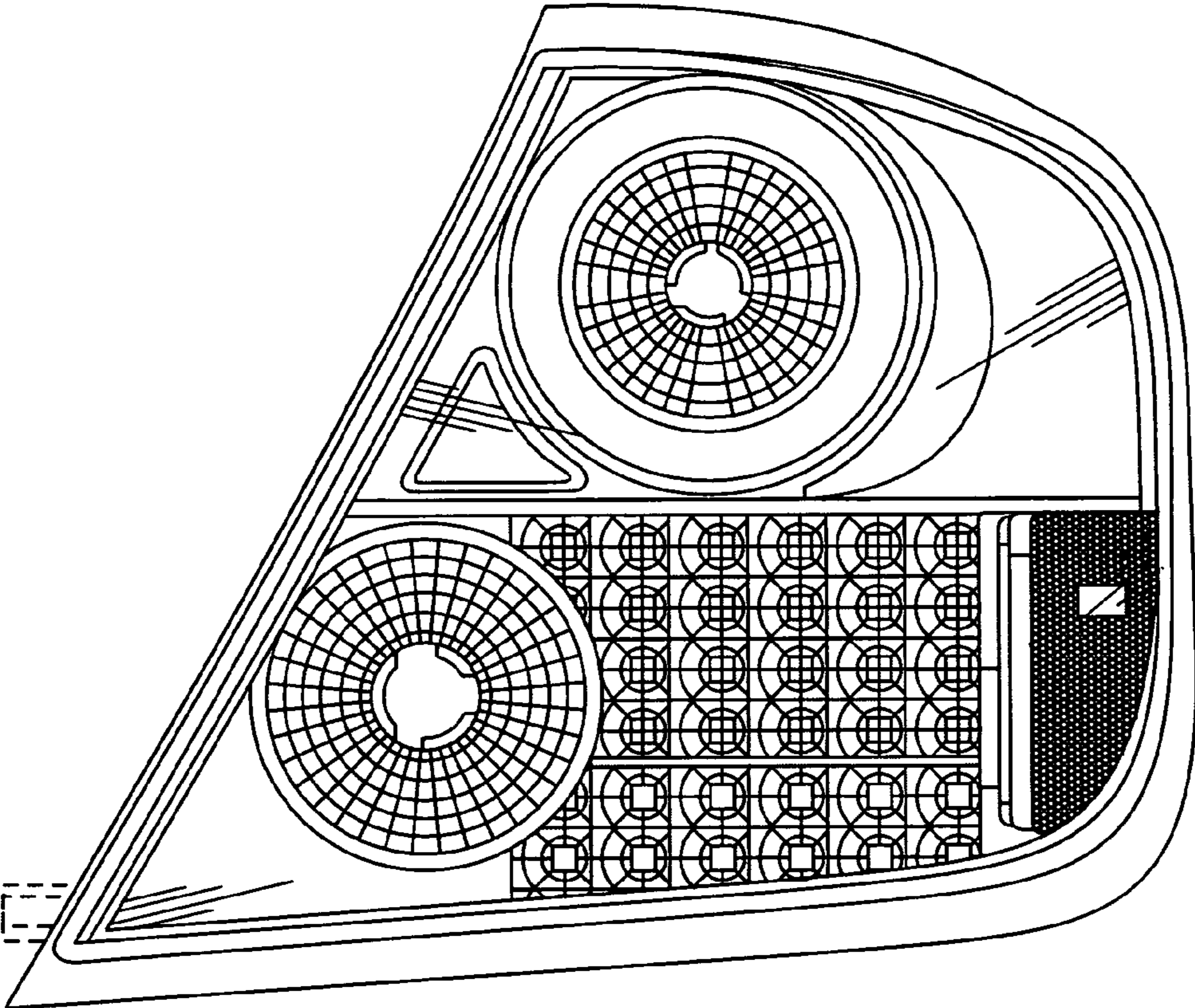


FIG. 1

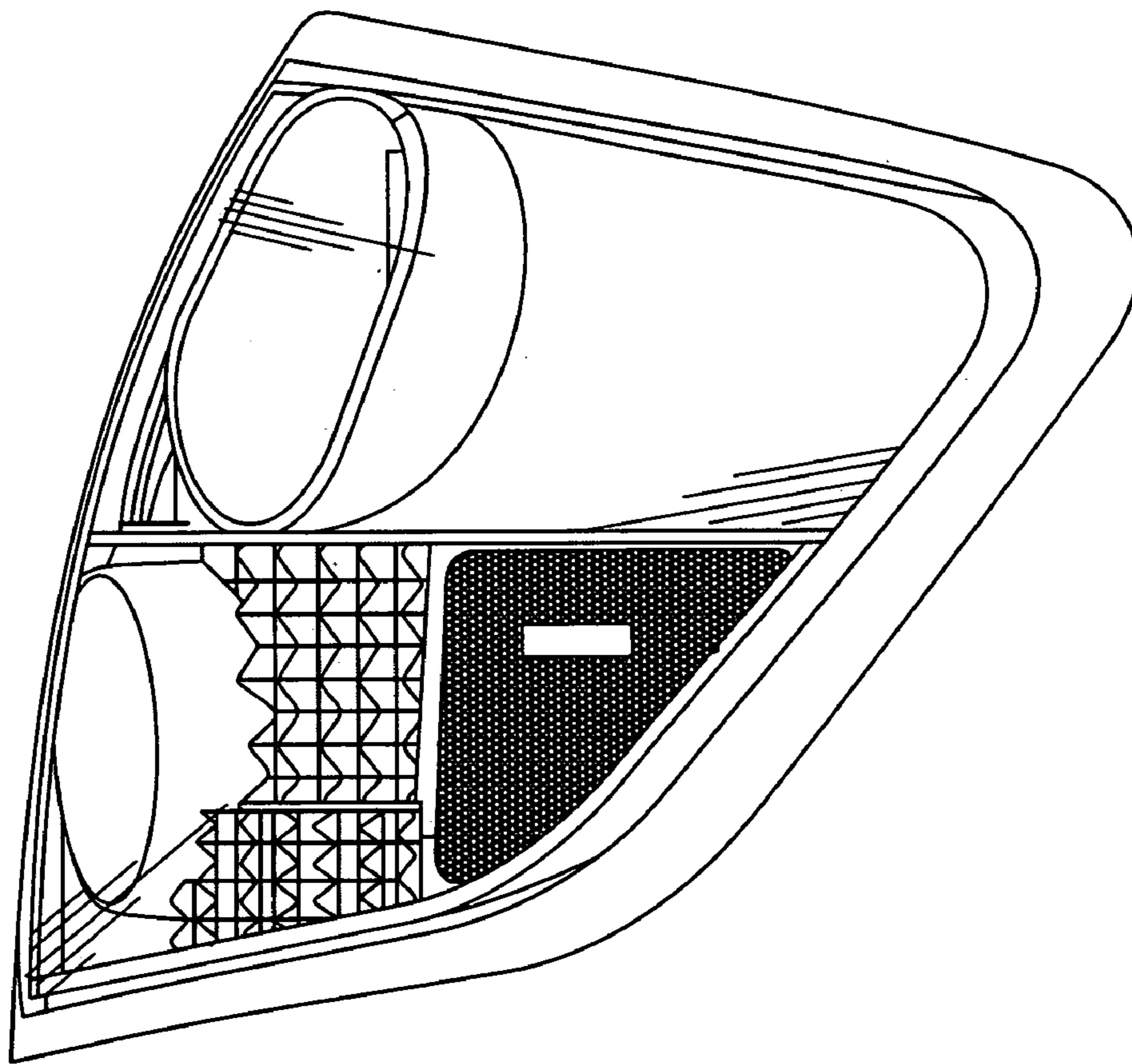


FIG. 2

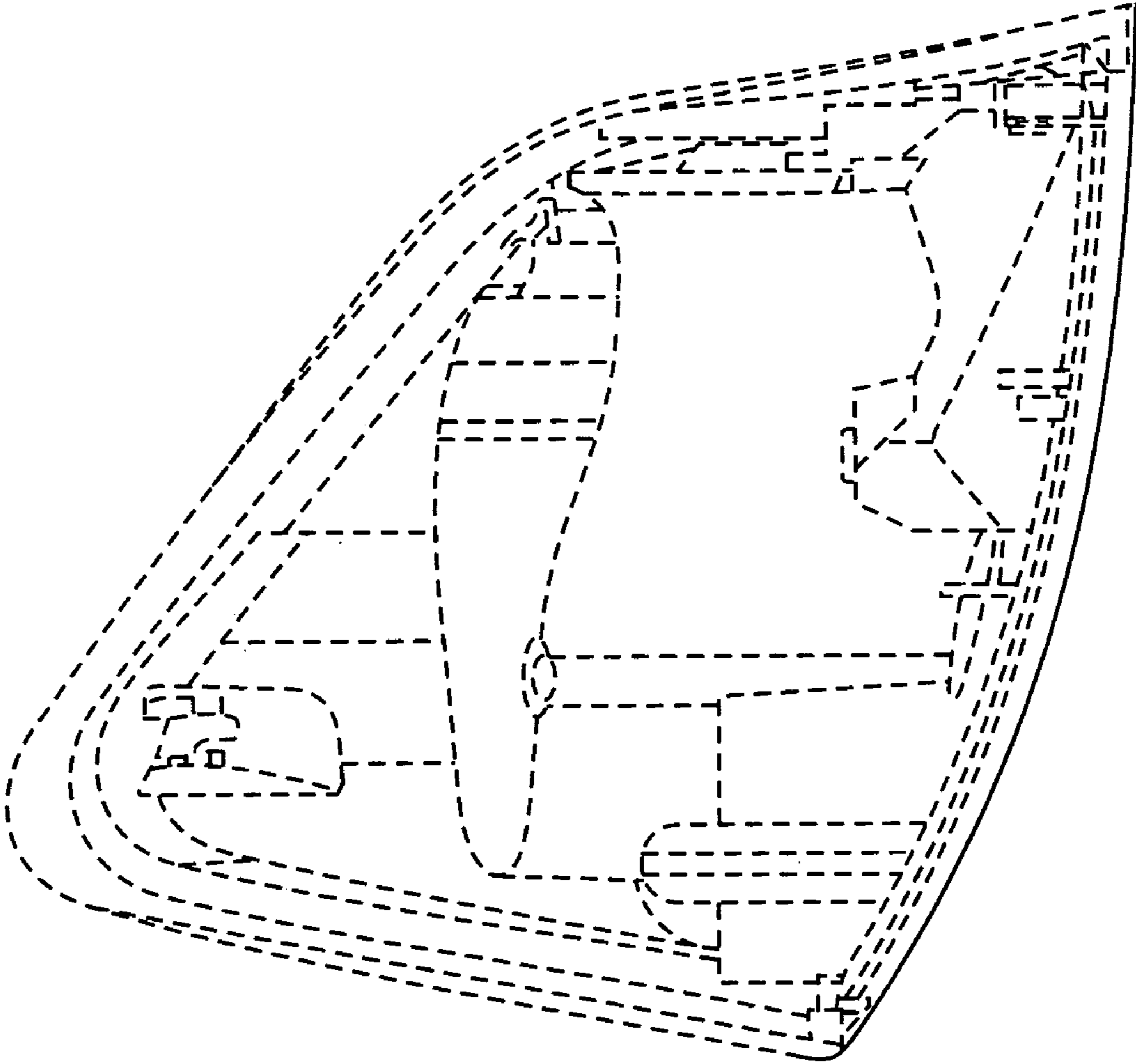


FIG. 3

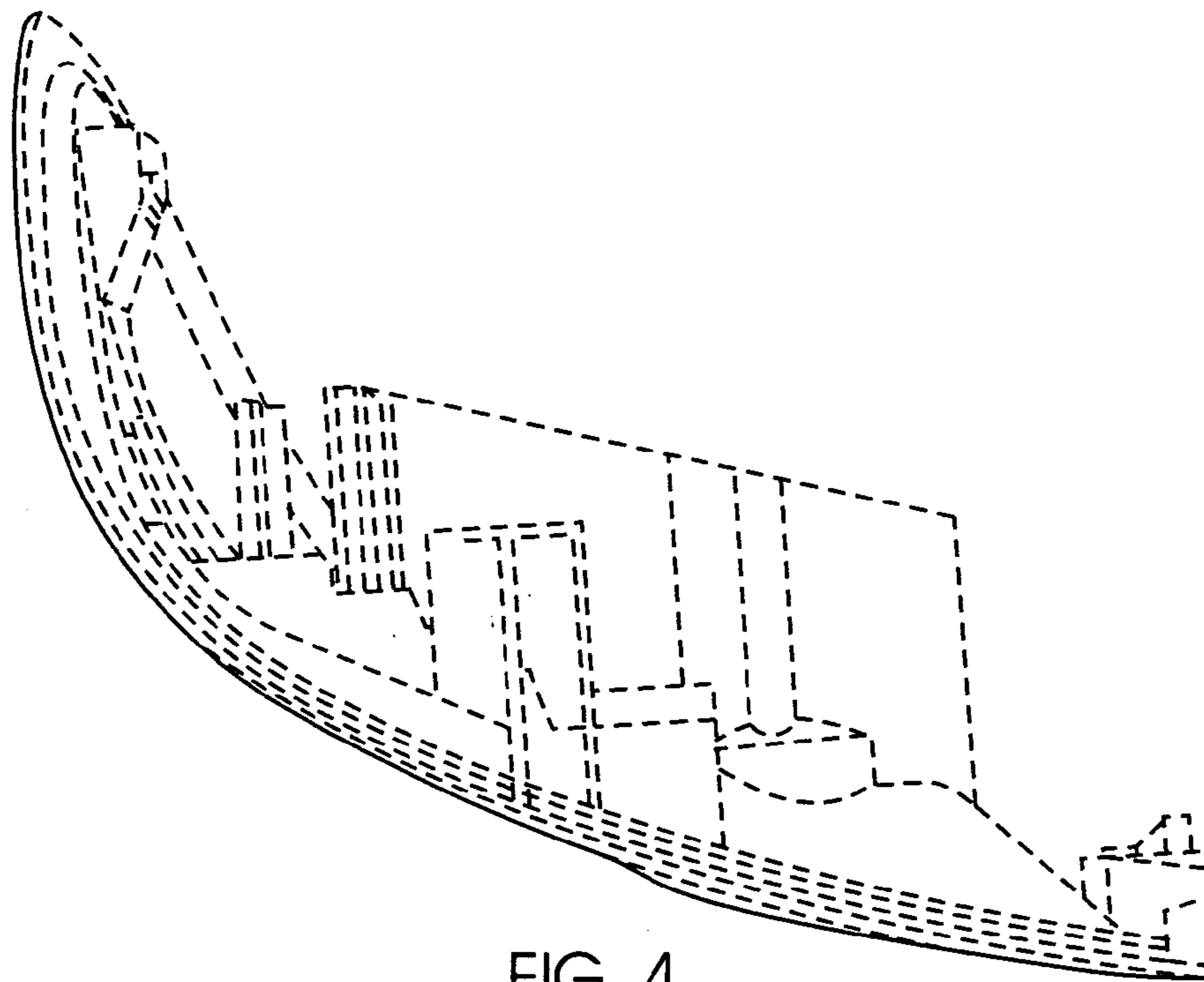


FIG. 4

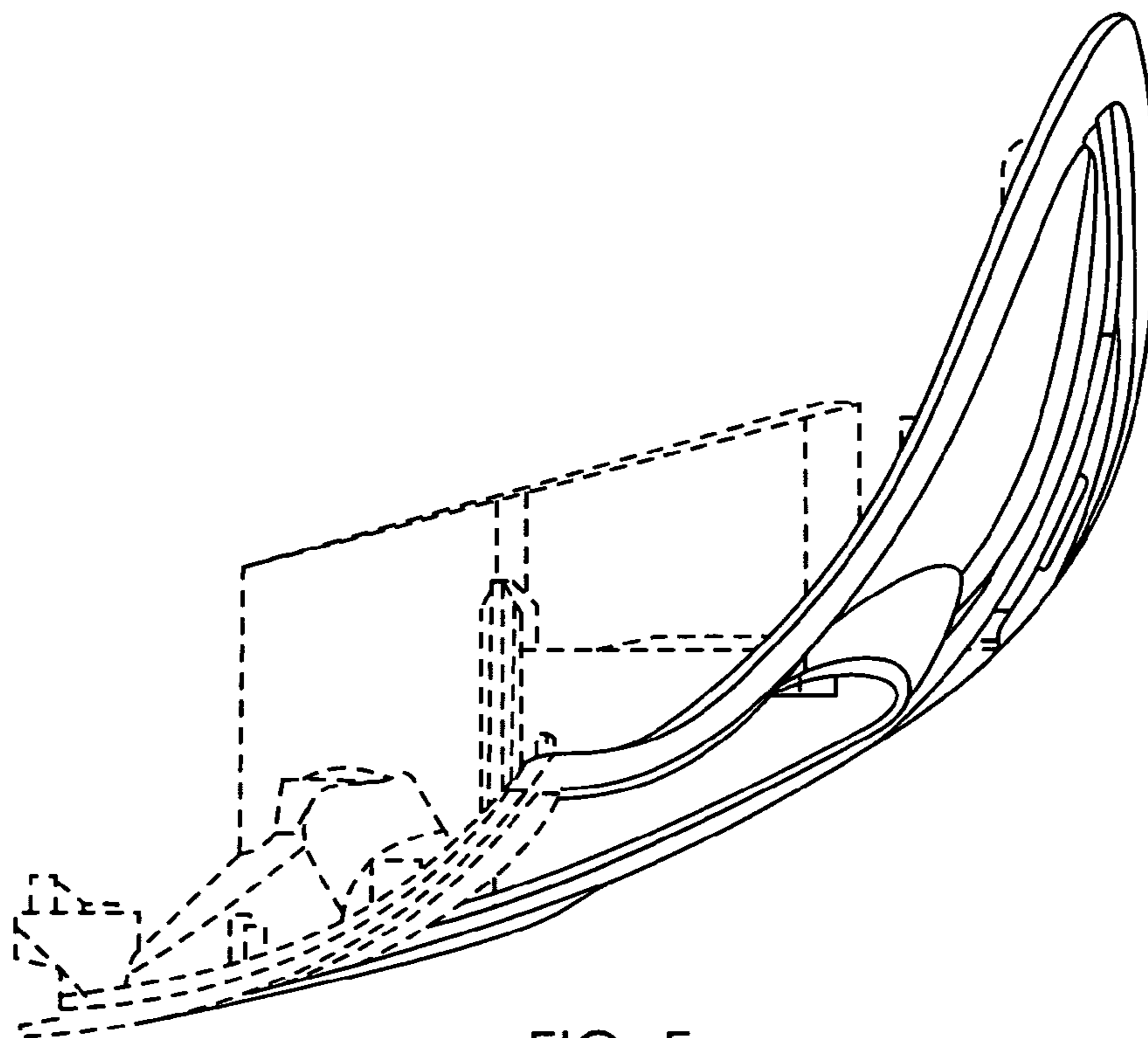


FIG. 5