

US00D565759S

(12) **United States Design Patent**
Suzuki et al.

(10) **Patent No.:** **US D565,759 S**

(45) **Date of Patent:** **** Apr. 1, 2008**

(54) **HEADLIGHT OF MOTOR VEHICLE**

JP 1157359 11/2002

JP 1187890 10/2003

(75) Inventors: **Hideki Suzuki**, Hiroshima (JP);
Kousuke Takahashi, Hiroshima (JP);
Takayuki Ajima, Hiroshima (JP)

JP 1189699 11/2003

(73) Assignee: **Mazda Motor Corporation**, Hiroshima (JP)

* cited by examiner

Primary Examiner—Marcus A. Jackson

(**) Term: **14 Years**

(74) *Attorney, Agent, or Firm*—Nixon Peabody LLP;
Donald R. Studebaker

(21) Appl. No.: **29/254,631**

(57) **CLAIM**

(22) Filed: **Feb. 27, 2006**

The ornamental design for a headlight of motor vehicle, as shown and described.

(51) **LOC (8) Cl.** **26-06**

(52) **U.S. Cl.** **D26/28**

(58) **Field of Classification Search** D26/28–36;
362/459–468, 475–478, 485–487

See application file for complete search history.

DESCRIPTION

(56) **References Cited**

U.S. PATENT DOCUMENTS

D518,197 S *	3/2006	Osawa	D26/28
D526,428 S *	8/2006	Yagihashi	D26/28
D527,123 S *	8/2006	Beigel et al.	D26/28
D535,764 S *	1/2007	Yamaguchi	D26/28
D536,810 S *	2/2007	Ishikura	D26/28

FOREIGN PATENT DOCUMENTS

JP 1032144 2/1999

FIG. 1 is a front perspective view of a headlight of motor vehicle;

FIG. 2 is a front view thereof;

FIG. 3 is a rear view thereof;

FIG. 4 is a left side view thereof;

FIG. 5 is a right side view thereof;

FIG. 6 is a top view thereof; and,

FIG. 7 is a bottom view thereof.

1 Claim, 4 Drawing Sheets

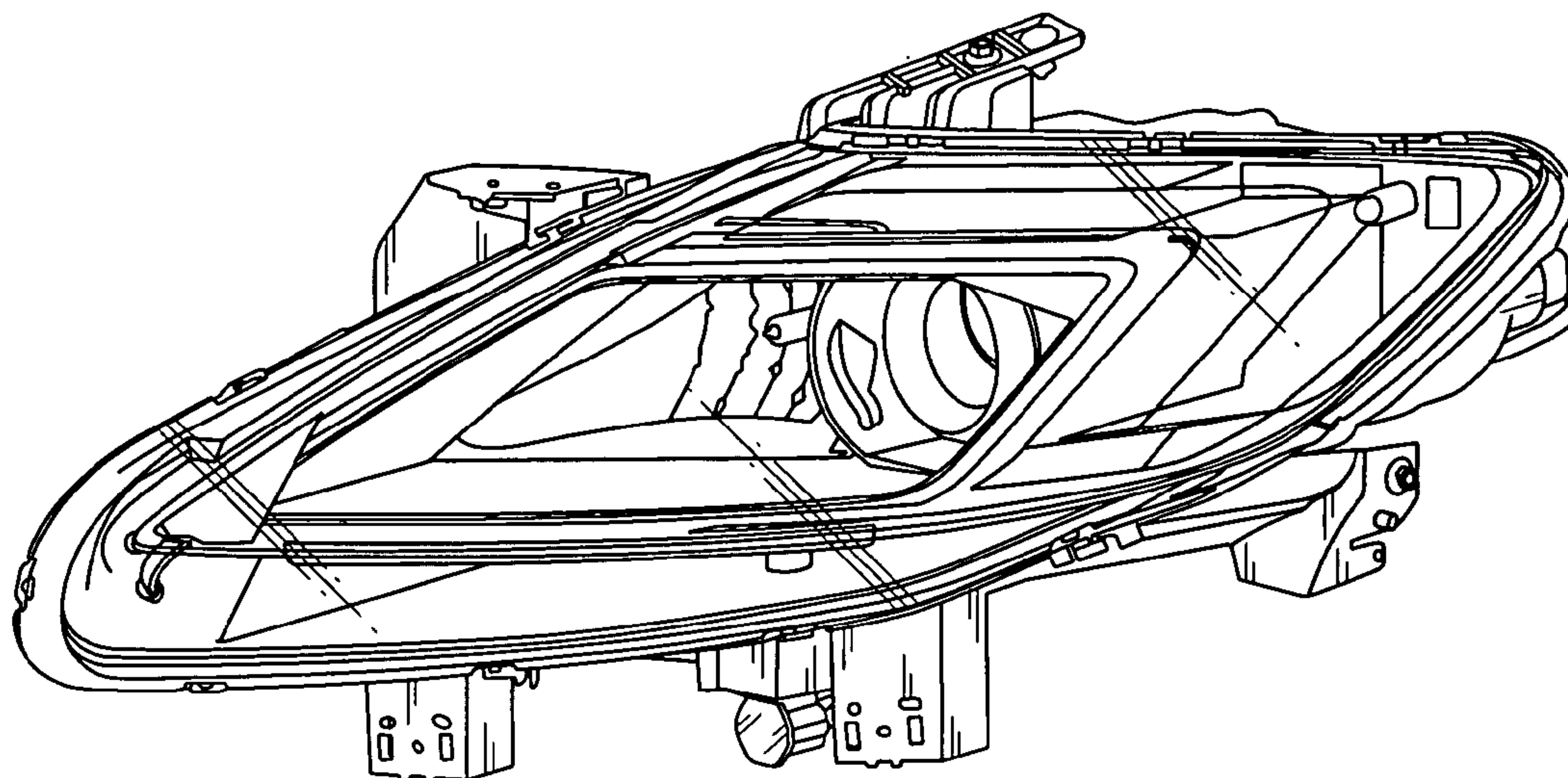


Fig.1

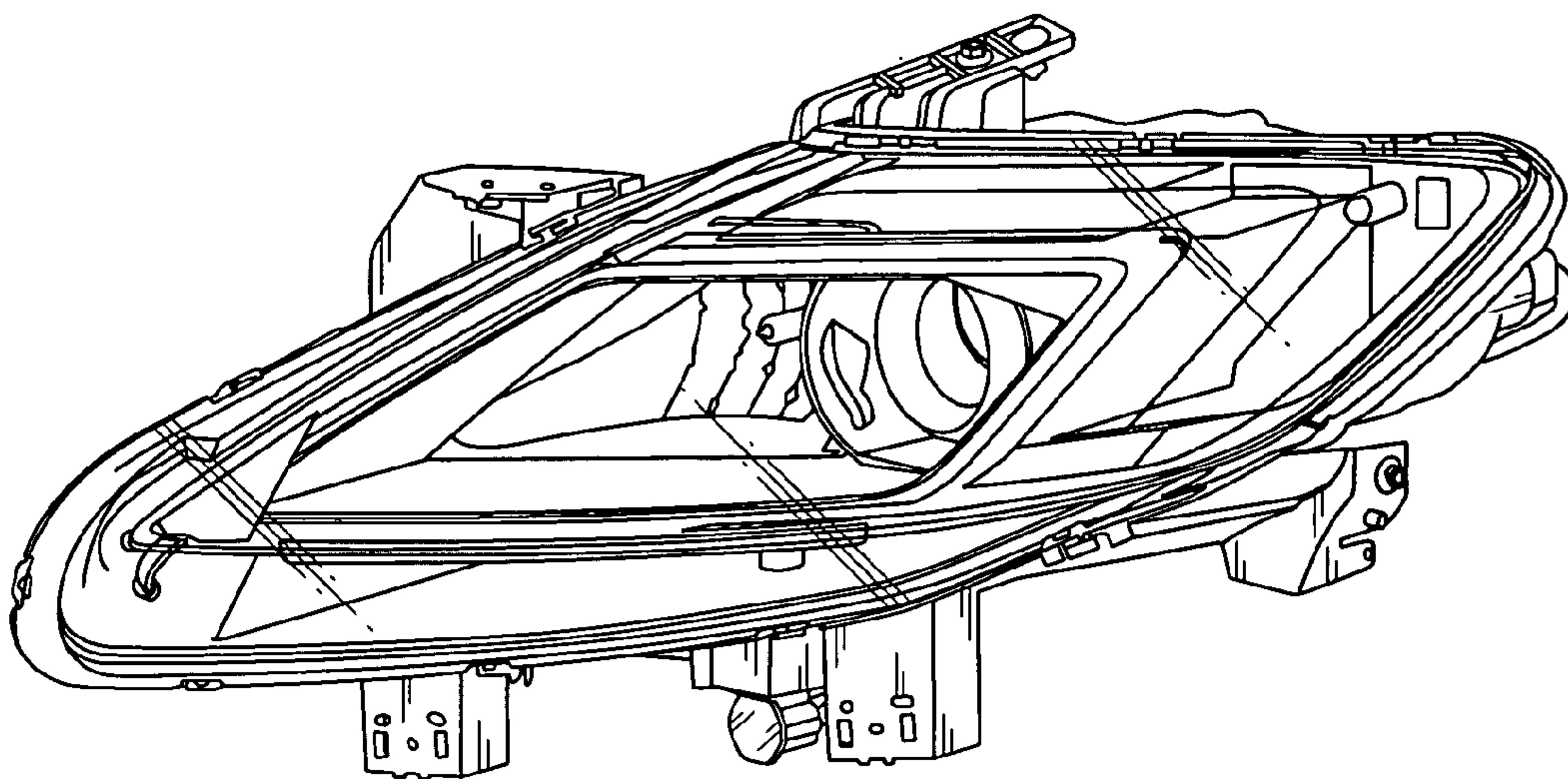


Fig.2

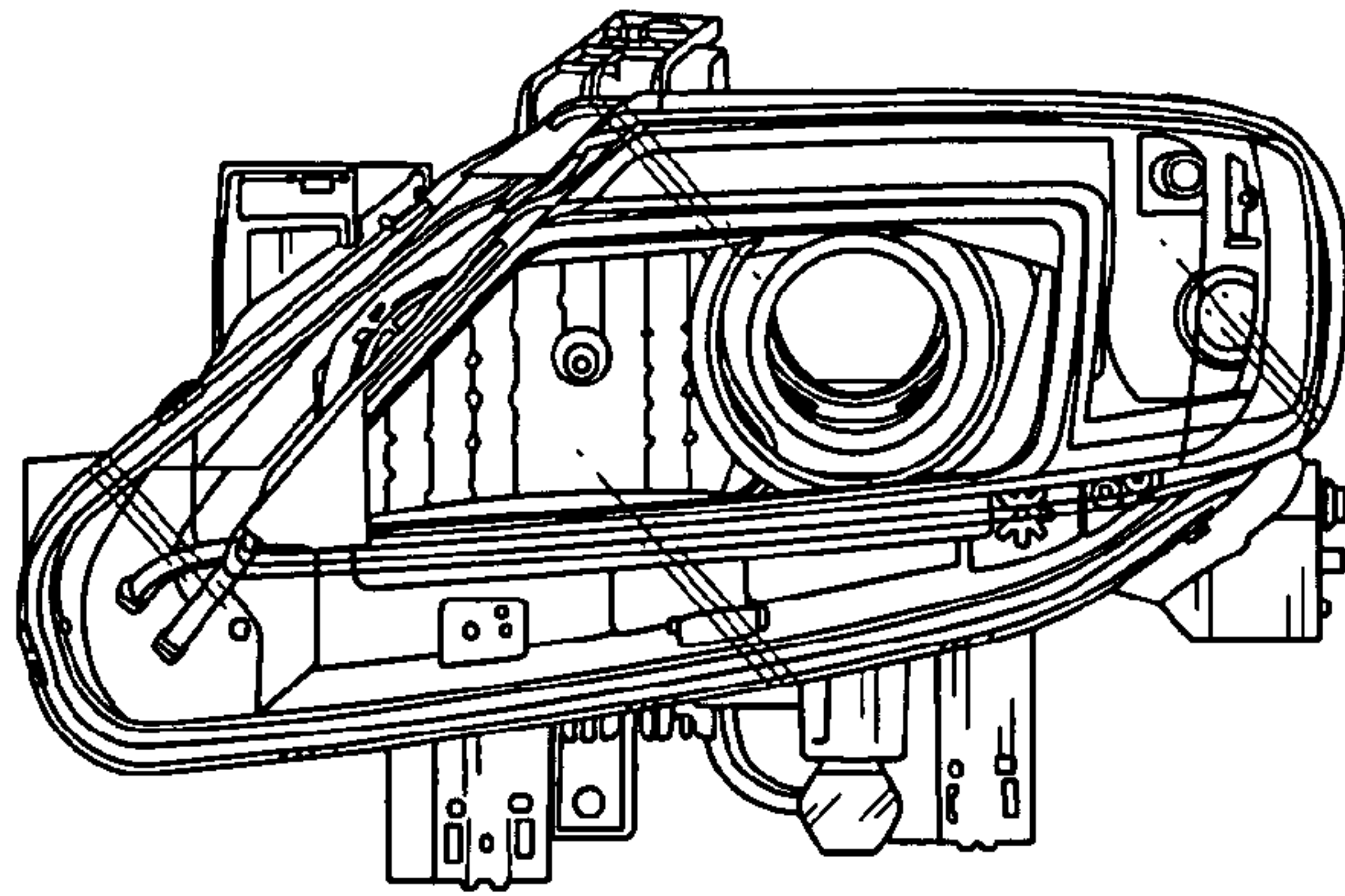


Fig.3

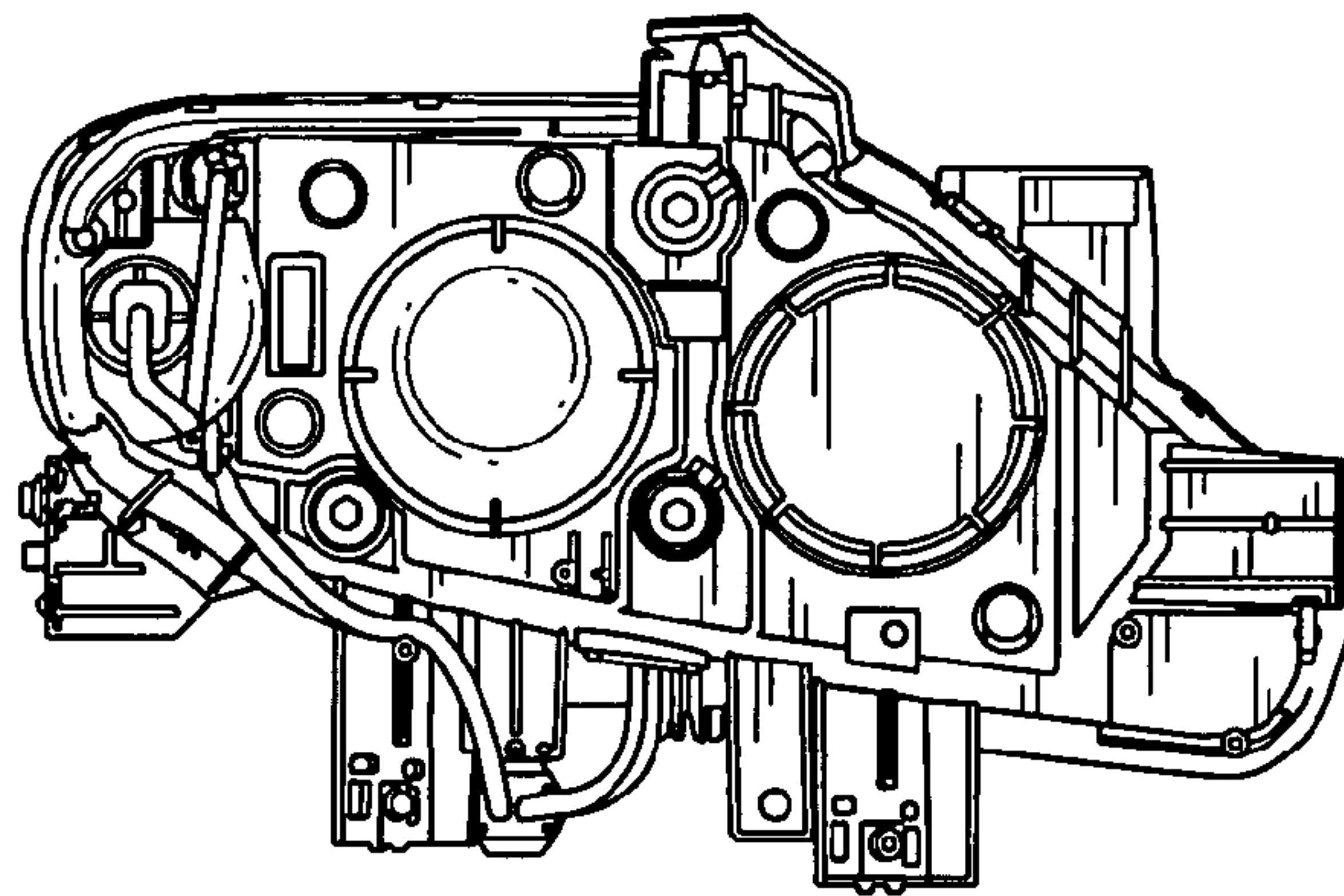


Fig.4

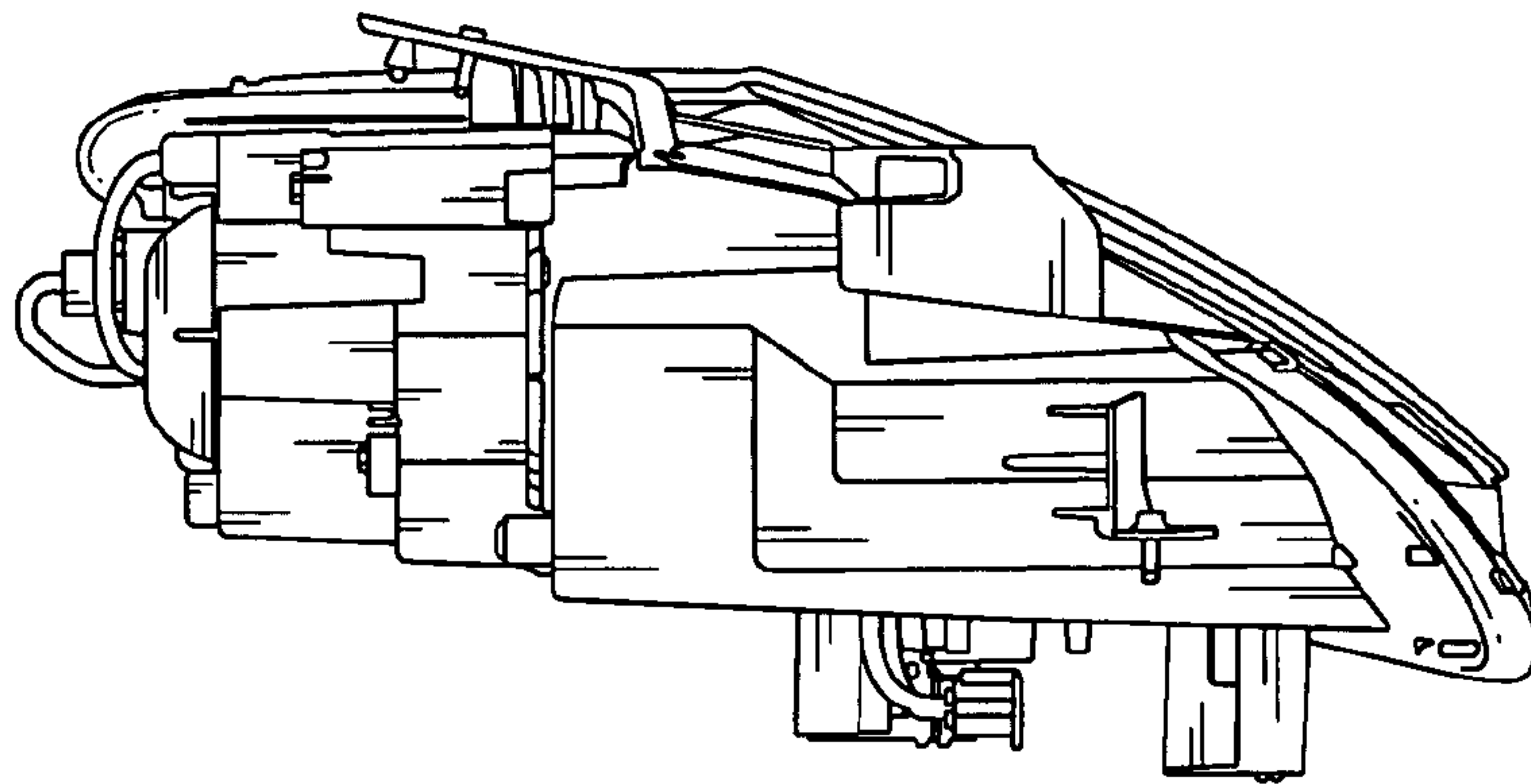


Fig.5

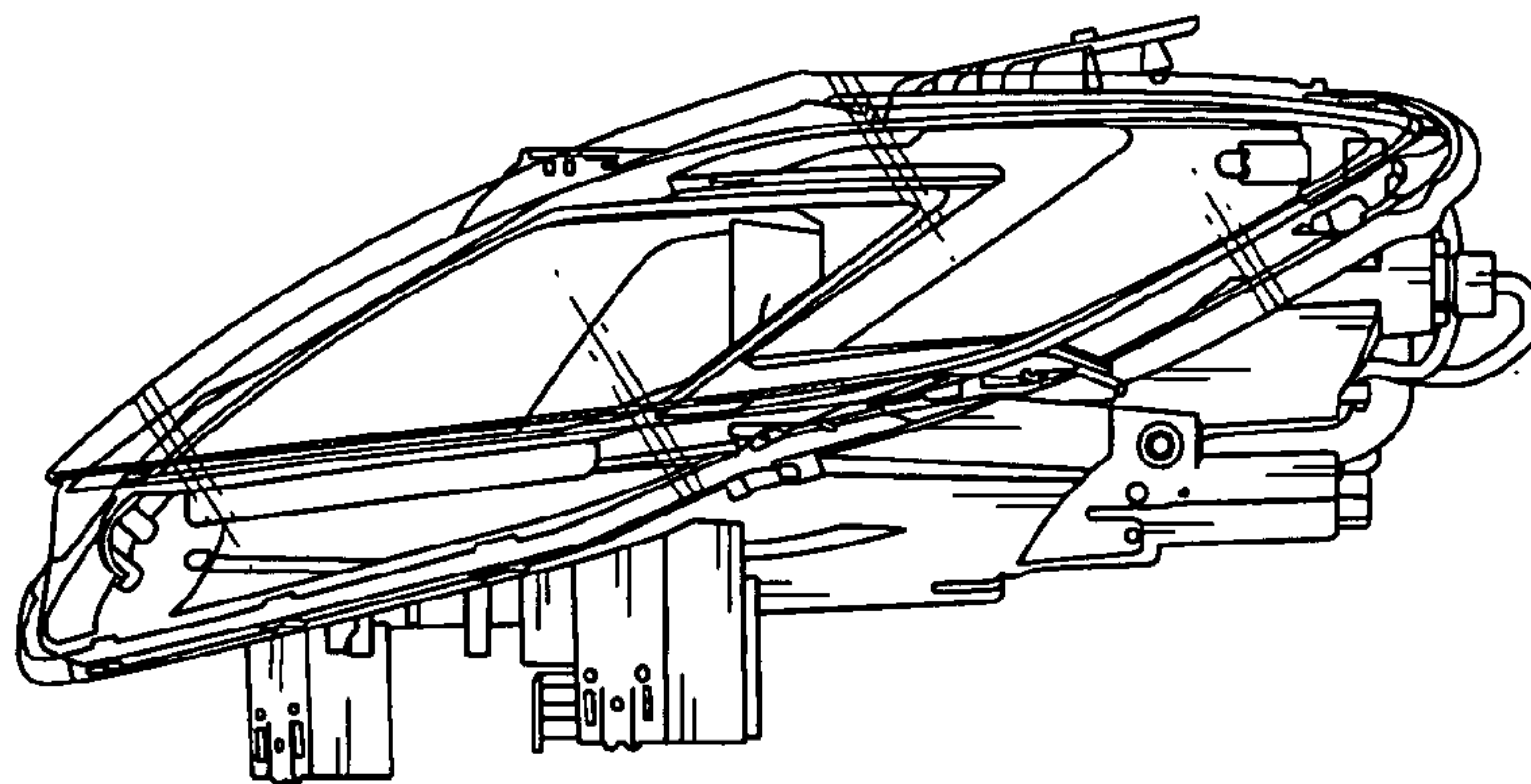


Fig.6

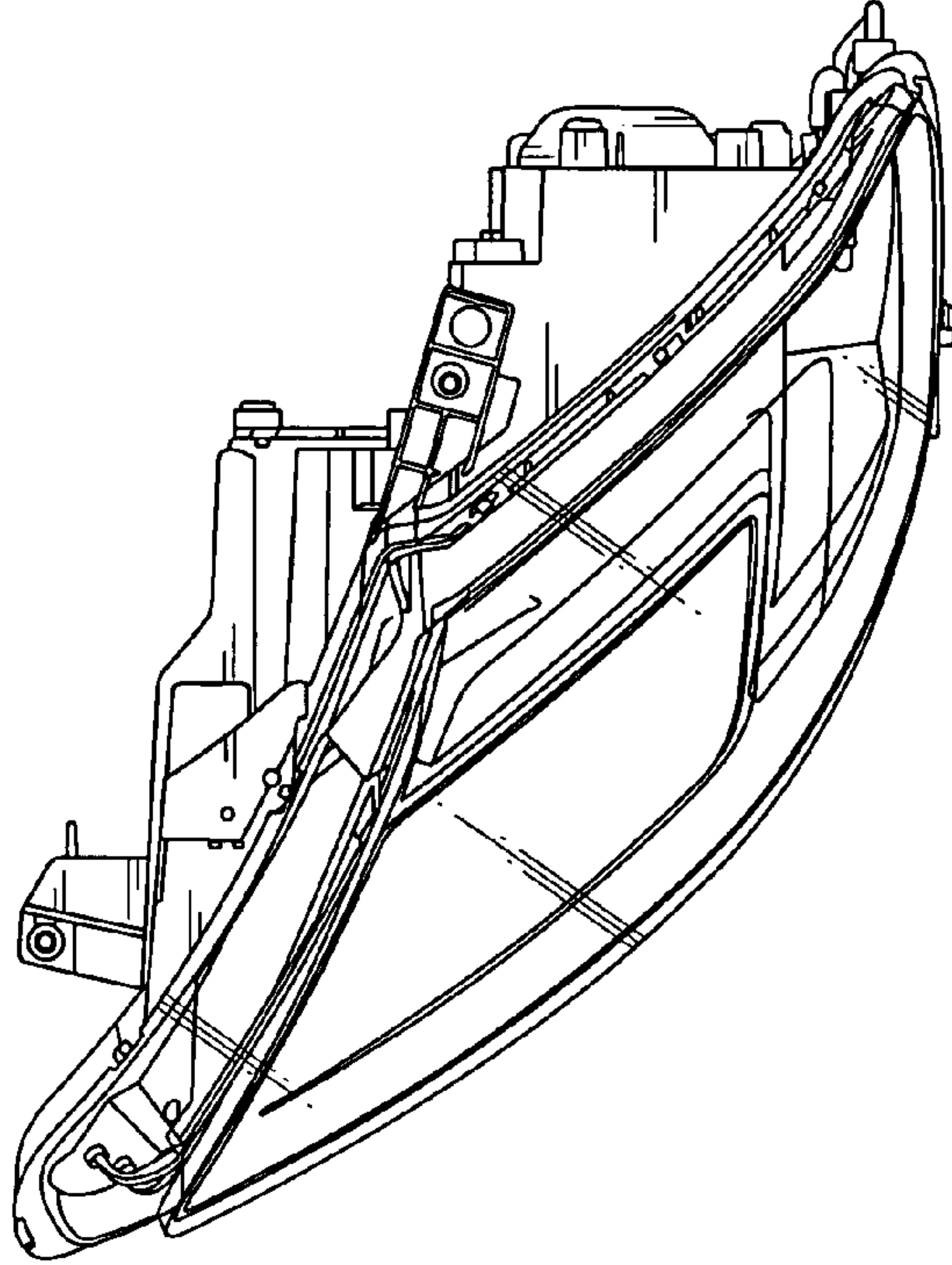


Fig.7

