



US00D565758S

(12) **United States Design Patent**
Conway et al.

(10) **Patent No.:** **US D565,758 S**
(45) **Date of Patent:** **** Apr. 1, 2008**

(54) **HEADLAMP BEZEL**

(75) Inventors: **Scott M. Conway**, Flower Mound, TX (US); **Dwayne Jackson**, Miami Beach, FL (US); **Jon Acton**, Roanoke, TX (US); **Kai-Uwe Altekruise**, Hasbergen (DE)

(73) Assignee: **PACCAR Inc**, Bellevue, WA (US)

(**) Term: **14 Years**

(21) Appl. No.: **29/250,124**

(22) Filed: **Nov. 2, 2006**

(51) **LOC (8) Cl.** **26-06**

(52) **U.S. Cl.** **D26/28**

(58) **Field of Classification Search** D26/28-36, D26/139; 362/459-468, 475-478, 485-487
See application file for complete search history.

(56) **References Cited**

U.S. PATENT DOCUMENTS

D420,302 S *	2/2000	Barnhart	D10/113
D424,723 S *	5/2000	Hall et al.	D26/28
D517,708 S *	3/2006	Phillips et al.	D26/28
D518,207 S *	3/2006	Wong et al.	D26/28

* cited by examiner

Primary Examiner—Marcus A. Jackson

(74) *Attorney, Agent, or Firm*—Christensen O'Connor Johnson Kindness PLLC

(57) **CLAIM**

The ornamental design for a headlamp bezel, as shown and described.

DESCRIPTION

FIG. 1 is a perspective view of a motor vehicle with a headlamp bezel according to our new design;

FIG. 2 is a perspective view of the headlamp bezel of FIG. 1;

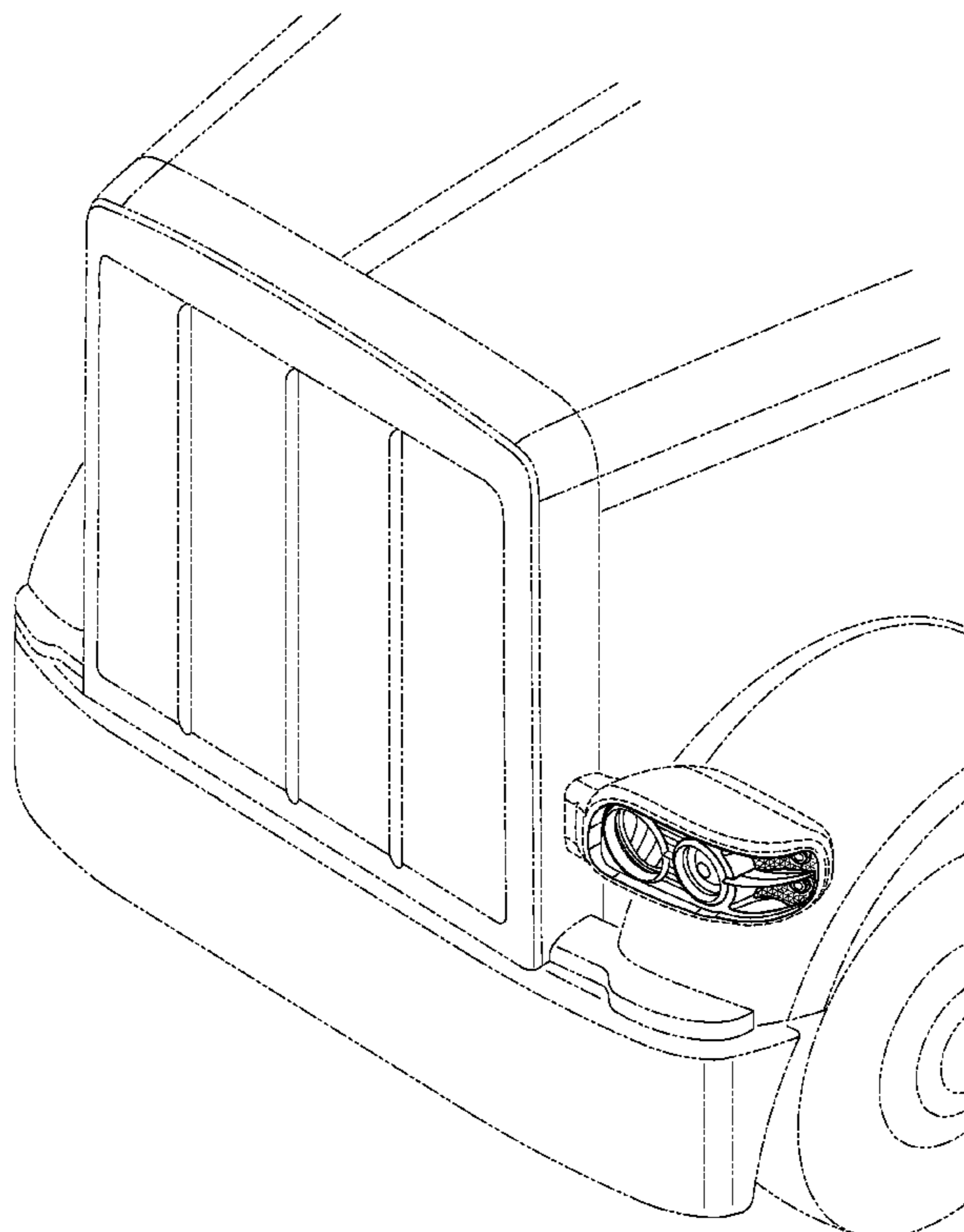
FIG. 3 is a front view of the headlamp bezel of FIG. 1; and, FIG. 4 is a right side view of the headlamp bezel of FIG. 1.

The broken line showing of a motor vehicle in FIG. 1 depicts environment and is not part of the claimed design. The portions shown in broken lines in FIG. 2 are for illustrative purposes only and forms no part of the claimed design.

The top, bottom, rear and left side of the headlamp bezel are unadorned.

The headlamp bezel shown in FIGS. 1-4 illustrate a first embodiment of our novel design suitable for use on the driver's side of a motor vehicle, such as a highway tractor. Our novel design also includes a second embodiment suitable for use on the passenger side of the vehicle, which is mirror symmetrical to FIGS. 1-4 and therefore not separately illustrated.

1 Claim, 3 Drawing Sheets



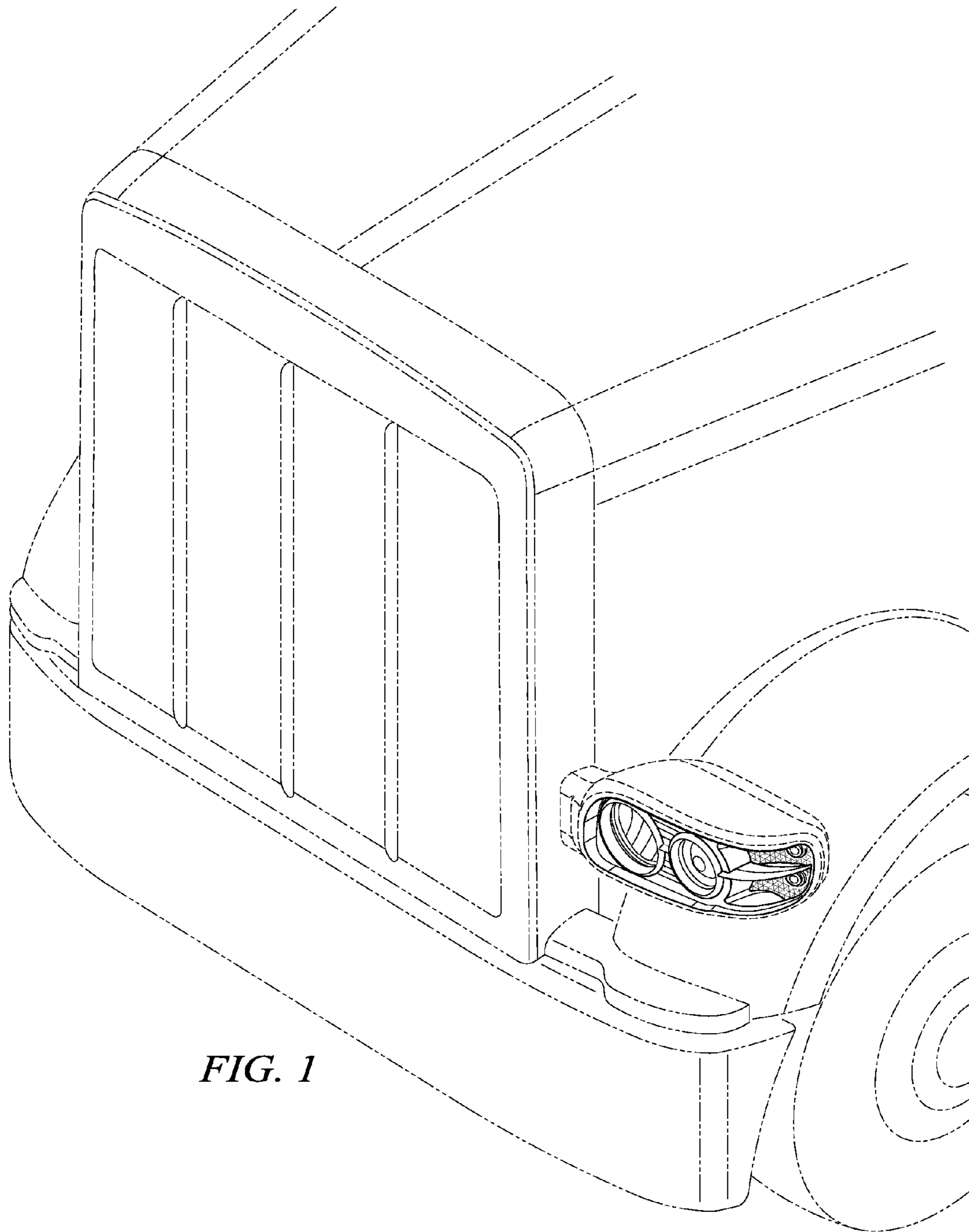


FIG. 1

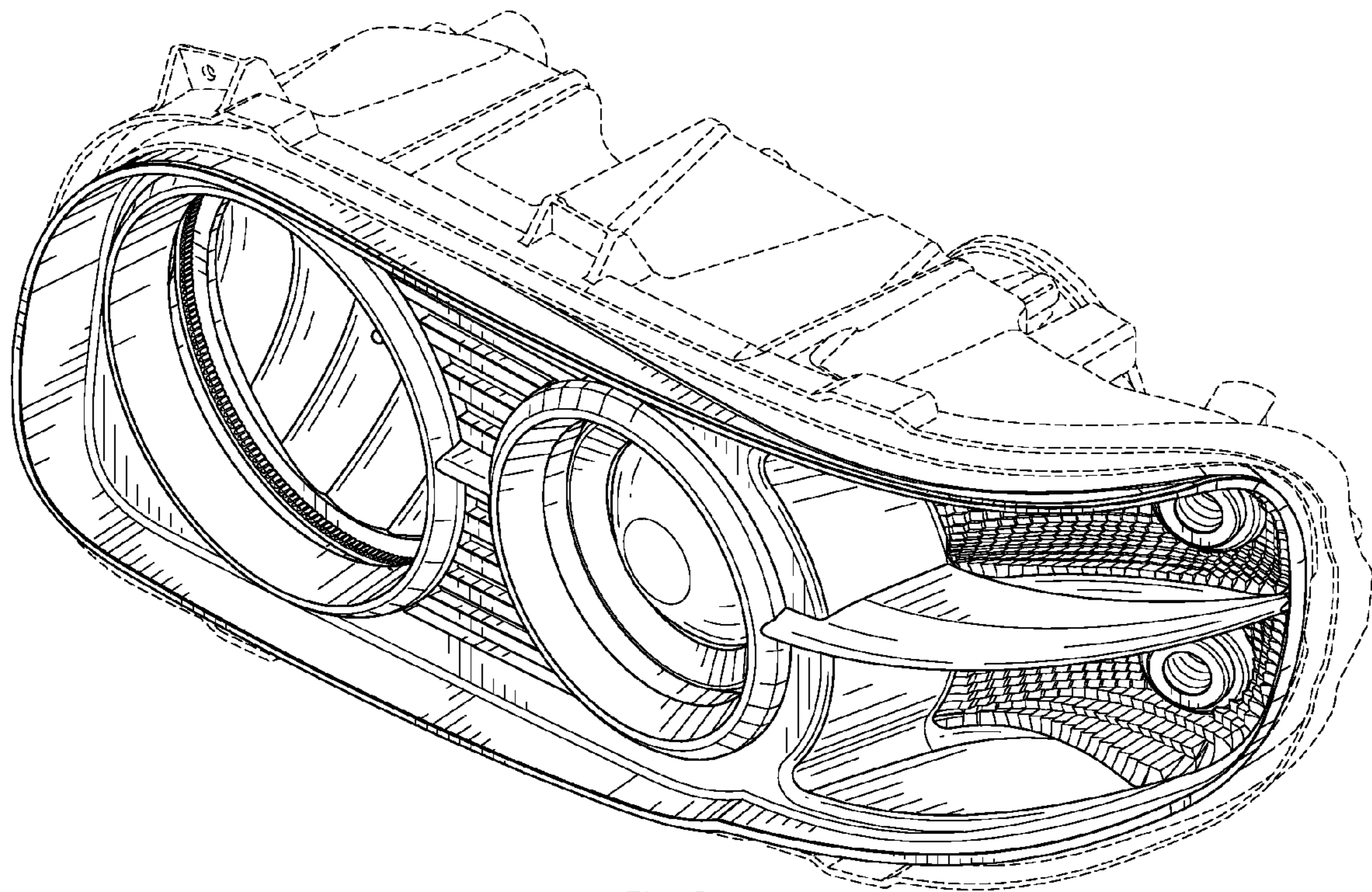


FIG. 2

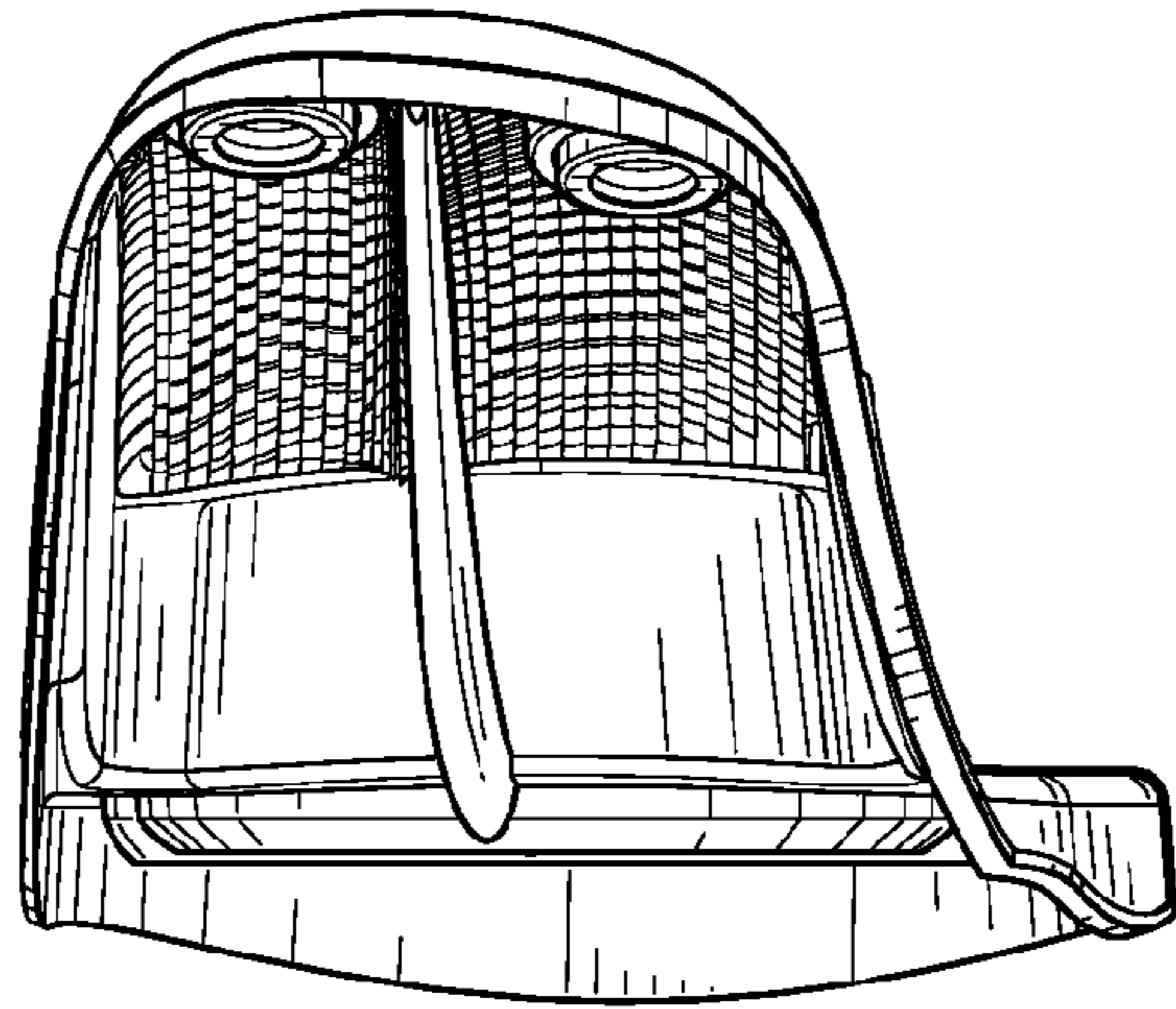


FIG. 4

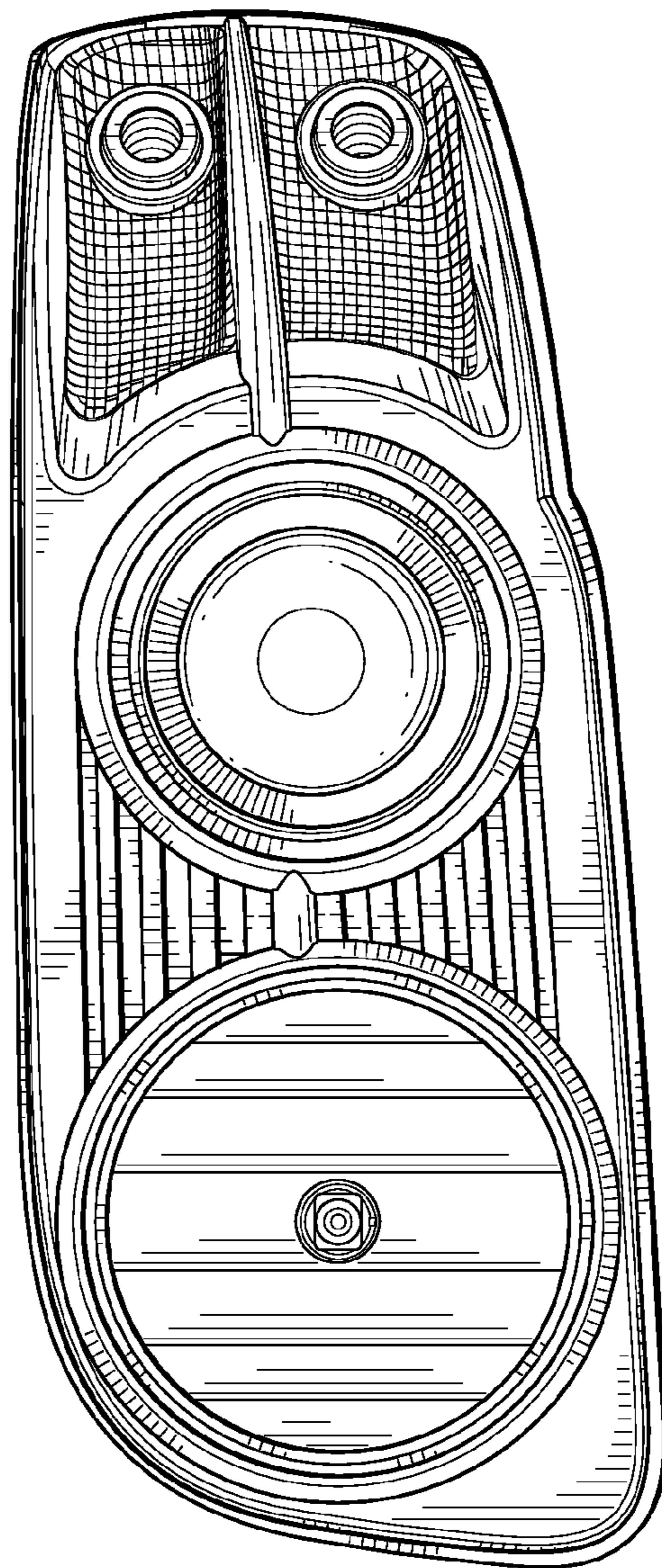


FIG. 3