



US00D565753S

(12) **United States Design Patent**  
**Uemoto et al.**

(10) **Patent No.:** **US D565,753 S**  
(45) **Date of Patent:** **\*\* Apr. 1, 2008**

(54) **LIGHTING APPARATUS**

(75) Inventors: **Takaari Uemoto**, Kadoma (JP); **Keiji Nishimoto**, Kadoma (JP); **Yasuharu Ueno**, Kadoma (JP); **Satoshi Shida**, Kadoma (JP); **Yuji Omata**, Osaka (JP)

(73) Assignee: **Matsushita Electric Industrial Co., Ltd.**, Osaka (JP)

(\*\*) Term: **14 Years**

(21) Appl. No.: **29/270,312**

(22) Filed: **Dec. 19, 2006**

(30) **Foreign Application Priority Data**

Jun. 20, 2006 (JP) ..... 2006-015937

(51) **LOC (8) Cl.** ..... **26-04**

(52) **U.S. Cl.** ..... **D26/24; D26/1**

(58) **Field of Classification Search** ..... D26/24, D26/1, 2, 37, 72, 74, 80, 81, 83, 93, 105, D26/113, 25; D13/180, 182; 362/612, 631, 362/555, 89, 147, 153, 257, 800; 257/79, 257/80, 82, 88, 433; 313/500  
See application file for complete search history.

(56) **References Cited**

**U.S. PATENT DOCUMENTS**

6,492,698 B2 \* 12/2002 Kim et al. .... 257/432  
6,627,994 B2 \* 9/2003 Hashimoto ..... 257/739  
D494,288 S \* 8/2004 Matsui et al. .... D26/2  
6,789,910 B2 \* 9/2004 Kimura et al. .... 362/600  
D526,972 S \* 8/2006 Egawa et al. .... D13/180  
D528,994 S \* 9/2006 Matsui et al. .... D13/180  
D530,288 S \* 10/2006 Nagai ..... D13/180  
D531,139 S \* 10/2006 Egawa et al. .... D13/180

D535,262 S \* 1/2007 Saito et al. .... D13/180  
7,204,635 B2 \* 4/2007 Kimura et al. .... 362/628  
D541,761 S \* 5/2007 Saito et al. .... D13/180  
D542,239 S \* 5/2007 Egawa ..... D13/180  
2006/0087843 A1 \* 4/2006 Setomoto et al. .... 362/249

**FOREIGN PATENT DOCUMENTS**

JP 2003-124528 4/2003

\* cited by examiner

*Primary Examiner*—Cathron Brooks

*Assistant Examiner*—Angela J Lee

(74) *Attorney, Agent, or Firm*—Brinks Hofer Gilson & Lione

(57) **CLAIM**

We claim the ornamental design for a lighting apparatus, as shown and described.

**DESCRIPTION**

FIG. 1 is a top perspective view of a lighting apparatus of the present invention;

FIG. 2 is a front view thereof, the rear view being a mirror image thereof;

FIG. 3 is a left side view thereof, the right side view being a mirror image thereof;

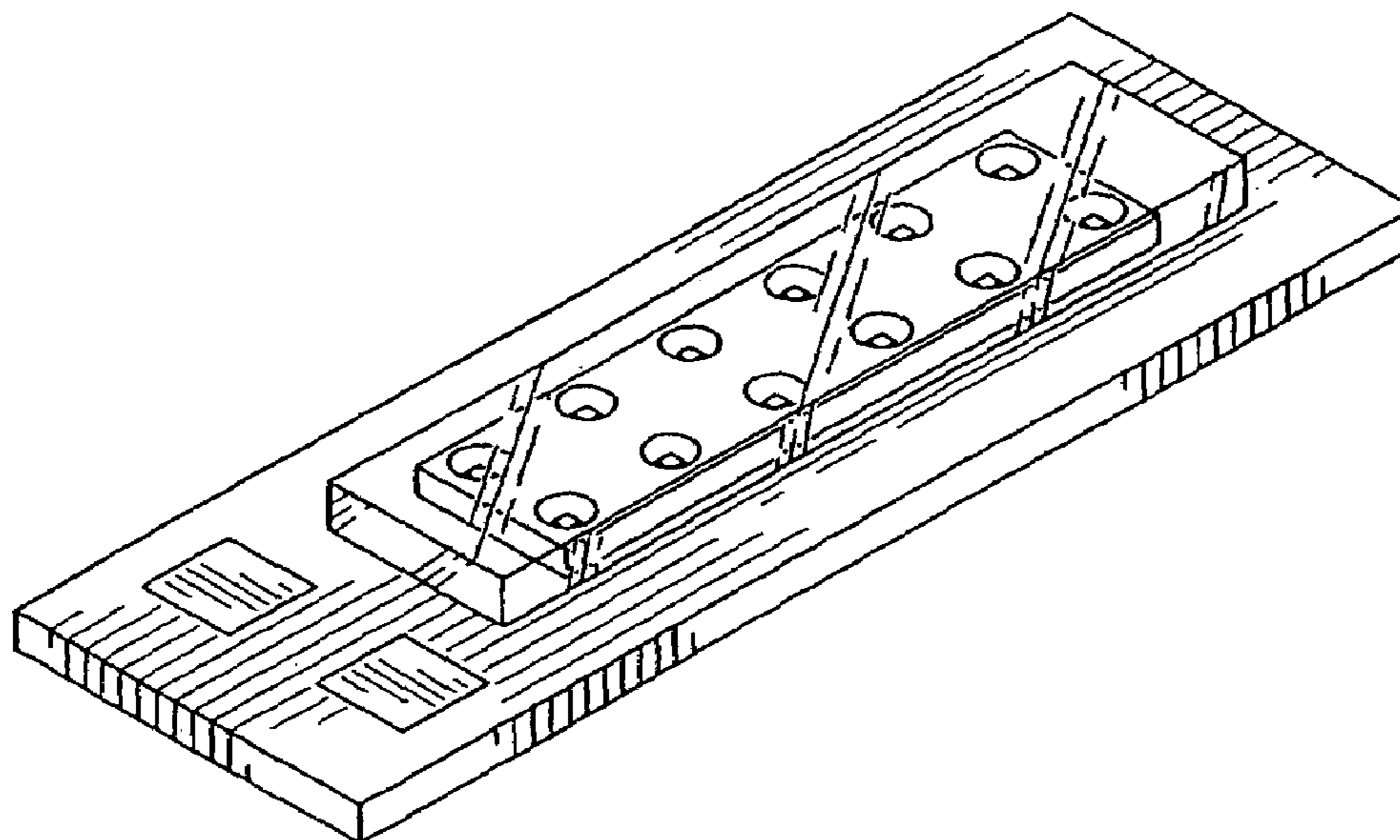
FIG. 4 is a top view thereof;

FIG. 5 is a bottom view thereof; and,

FIG. 6 is a cross sectional view taken along line 6—6 in FIG. 4.

An elongated plate on a substrate has multiple recesses in which light sources, such as LEDs, are arranged. The elongated plate is molded with a transparent material. The two squares are electrodes.

**1 Claim, 3 Drawing Sheets**



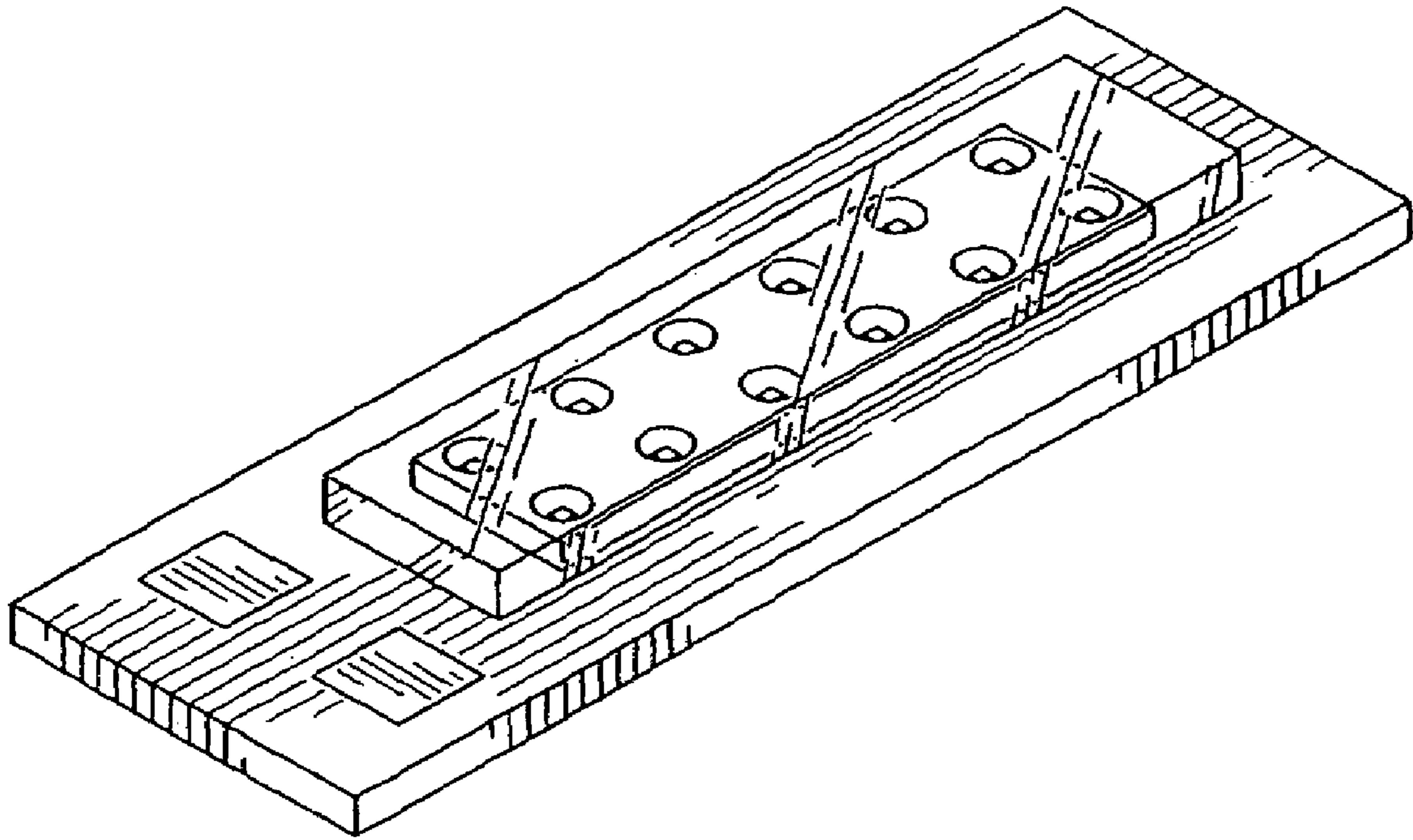


FIG. 1

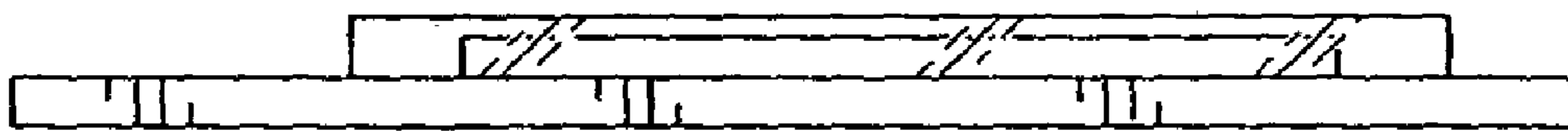


FIG. 2

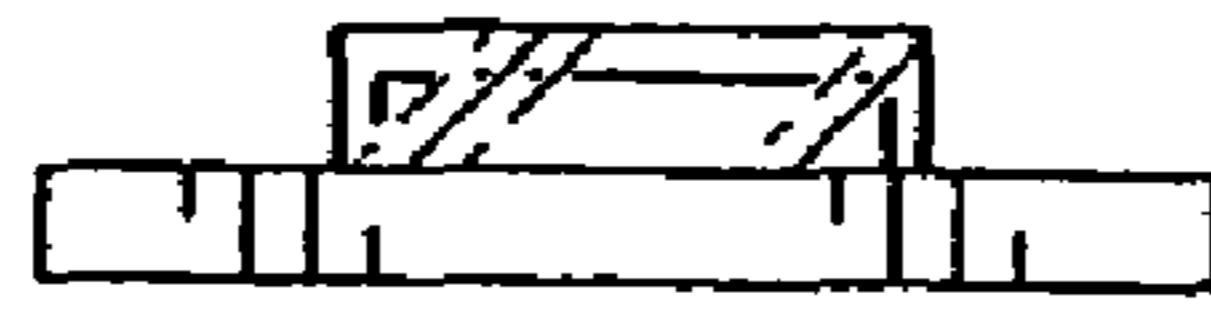


FIG. 3

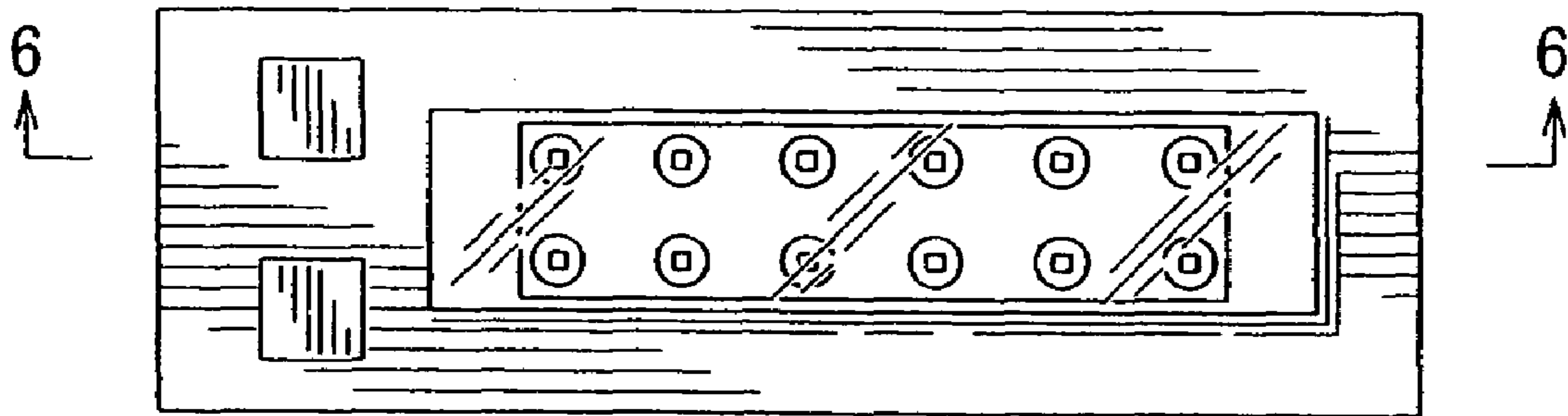


FIG. 4



FIG. 5



FIG. 6