



US00D565751S

(12) **United States Design Patent**
Van Dyn Hoven

(10) **Patent No.:** **US D565,751 S**
(45) **Date of Patent:** **** Apr. 1, 2008**

(54) **STAR BULB**

(57) **CLAIM**

(75) **Inventor:** **Victoria Jean Van Dyn Hoven,**
Stevens Point, WI (US)

I claim the ornamental design for a star bulb, as shown and described.

(73) **Assignee:** **Vickie Jean's Creations, Inc.,** Plover,
WI (US)

DESCRIPTION

(**) **Term:** **14 Years**

The present application is related to co-pending U.S. patent application Ser. No. 29/279,397 filed on Apr. 30, 2007 by Vickie Jean Van Dyn Hoven, the full disclosure of which is hereby incorporated by reference. The present application is related to co-pending U.S. patent application Ser. No. 29/279,398 filed on Apr. 30, 2007 herewith by Vickie Jean Van Dyn Hoven, the full disclosure of which is hereby incorporated by reference. The present application is related to U.S. Pat. No. D546,982 and U.S. Pat. No. D546,981. The present application is related to copending U.S. patent application Ser. No. 29/263,370.

(21) **Appl. No.:** **29/295,942**

(22) **Filed:** **Oct. 10, 2007**

Related U.S. Application Data

(63) Continuation of application No. 29/263,369, filed on Jul. 21, 2006.

(51) **LOC (8) Cl.** **26-04**

(52) **U.S. Cl.** **D26/4**

(58) **Field of Classification Search** D26/1-4;
313/313, 315, 317, 318, 493; 315/52, 53,
315/56, 57, 58

See application file for complete search history.

FIG. 1 is a top perspective view of a star bulb;

FIG. 2 is a front elevational view thereof, the rear elevational view being the same as the front elevational view shown;

FIG. 3 is a right side elevational view thereof, the left side elevational view being the same as the left elevational view shown;

FIG. 4 is a top plan view thereof;

FIG. 5 is a bottom plan view thereof;

FIG. 6 is a top perspective view of another embodiment of the star bulb;

FIG. 7 is a front elevational view of the star bulb of FIG. 6, the rear elevational view being the same as the front elevational view shown;

FIG. 8 is a right side elevational view of the star bulb of FIG. 6, the left side elevational view being the same as the left elevational view shown;

FIG. 9 is a top plan view of the star bulb of FIG. 6; and,

FIG. 10 is a bottom plan view of the star bulb of FIG. 6.

The ornamental design which is claimed is shown in solid lines in the drawings. The broken lines in the drawings are for illustrative purposes only and form no part of the claimed design.

(56) **References Cited**

U.S. PATENT DOCUMENTS

2,095,648 A 10/1937 Oftedahl
D121,522 S 4/1940 Petry

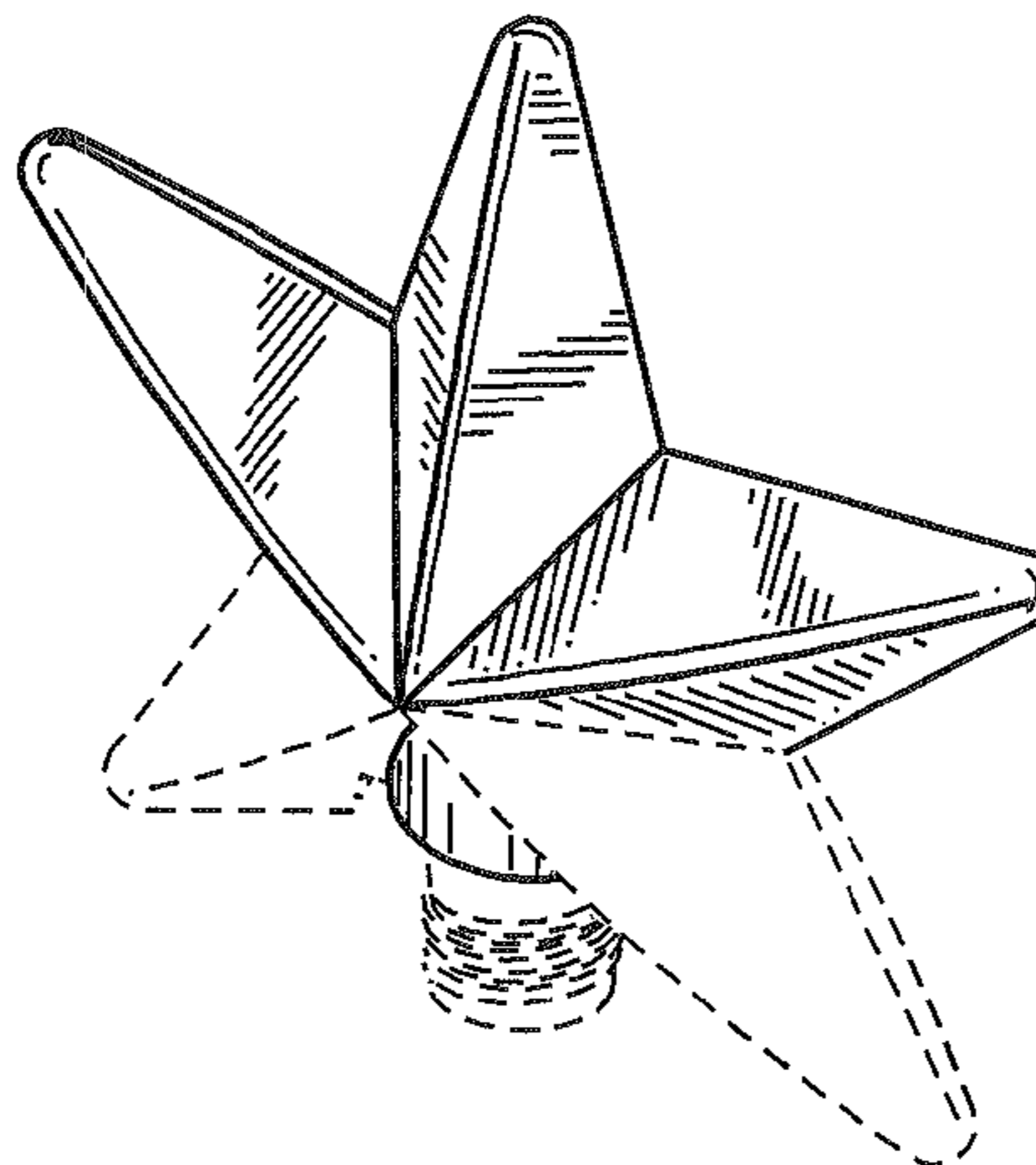
(Continued)

OTHER PUBLICATIONS

<http://www.vickiejeanscreations.com/>.
<http://store.flowerpatchblessings.com/products/results2.asp?cat=welcomelights>.
<https://shop.softglows.com/categoryNavigationDocument.hg?categoryid=10>.
<http://froogle.google.com/froogle?q='silicone+star'+lamp+&hl=en&sa=X&oi=froogle&ct=title>, all prior to Oct. 10, 2007.

Primary Examiner—Marcus A. Jackson
(74) *Attorney, Agent, or Firm*—Rathe Patent & IP Law

1 Claim, 3 Drawing Sheets



US D565,751 S

Page 2

U.S. PATENT DOCUMENTS

2,199,435 A	5/1940	Koonz	6,398,386 B1	6/2002	Huang	
2,486,636 A	11/1949	Egle	D465,594 S	11/2002	Chen	
4,039,894 A	8/1977	Gardner, III	6,630,773 B1	10/2003	Huang	
D302,580 S	8/1989	Gatarz	D492,800 S	7/2004	Yuen	
5,436,817 A	7/1995	Wotton et al.	D546,981 S *	7/2007	Van Dyn Hoven D26/4
D381,440 S	7/1997	Cheung	D546,982 S *	7/2007	Van Dyn Hoven D26/4
D387,882 S	12/1997	Wang	2003/0147243 A1	8/2003	Alduby	
D425,233 S	5/2000	Liu	2006/0228472 A1	10/2006	Van Dyn Hoven	
6,377,222 B1	4/2002	Nicholson				

* cited by examiner

FIG. 1

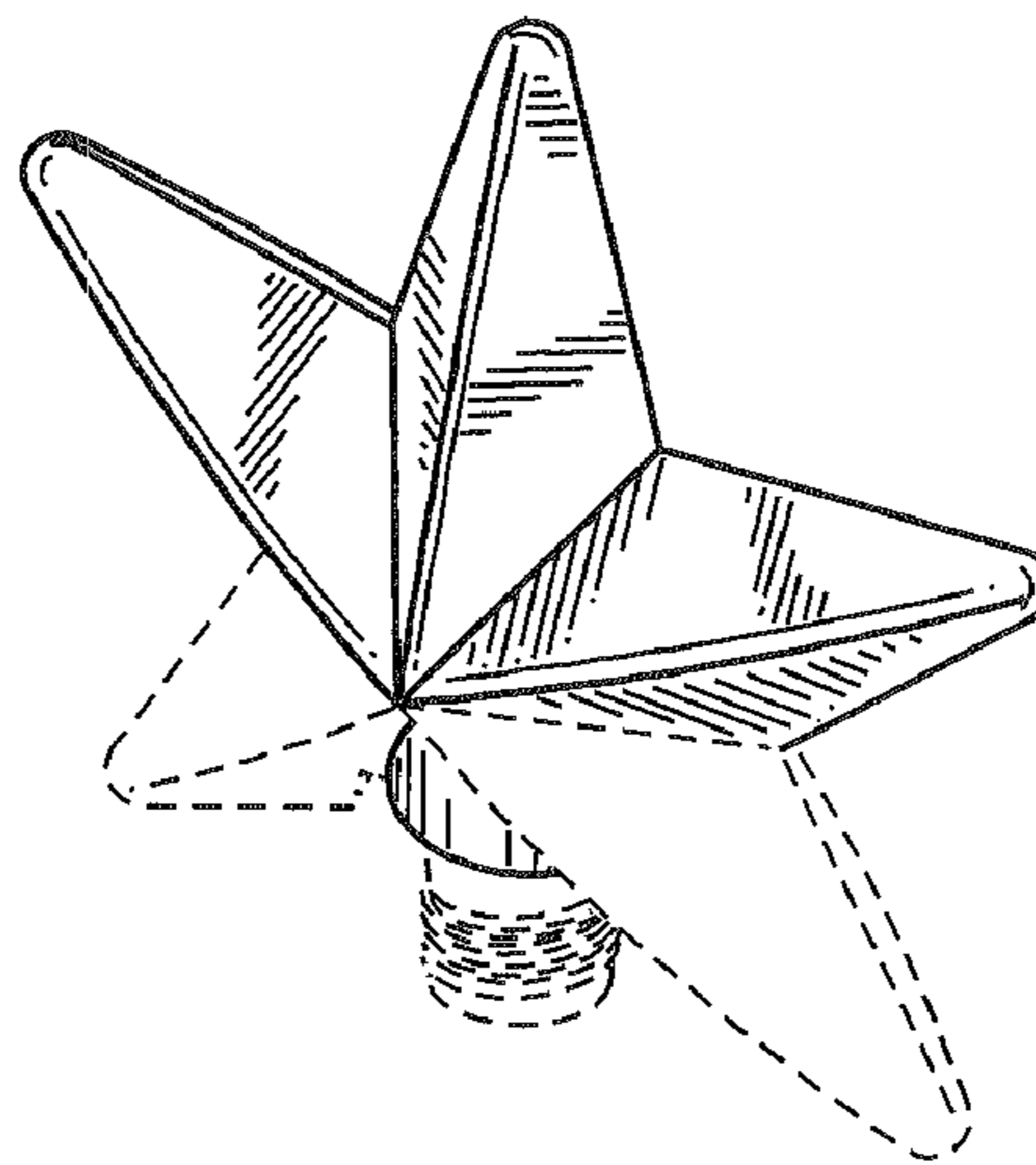


FIG. 2

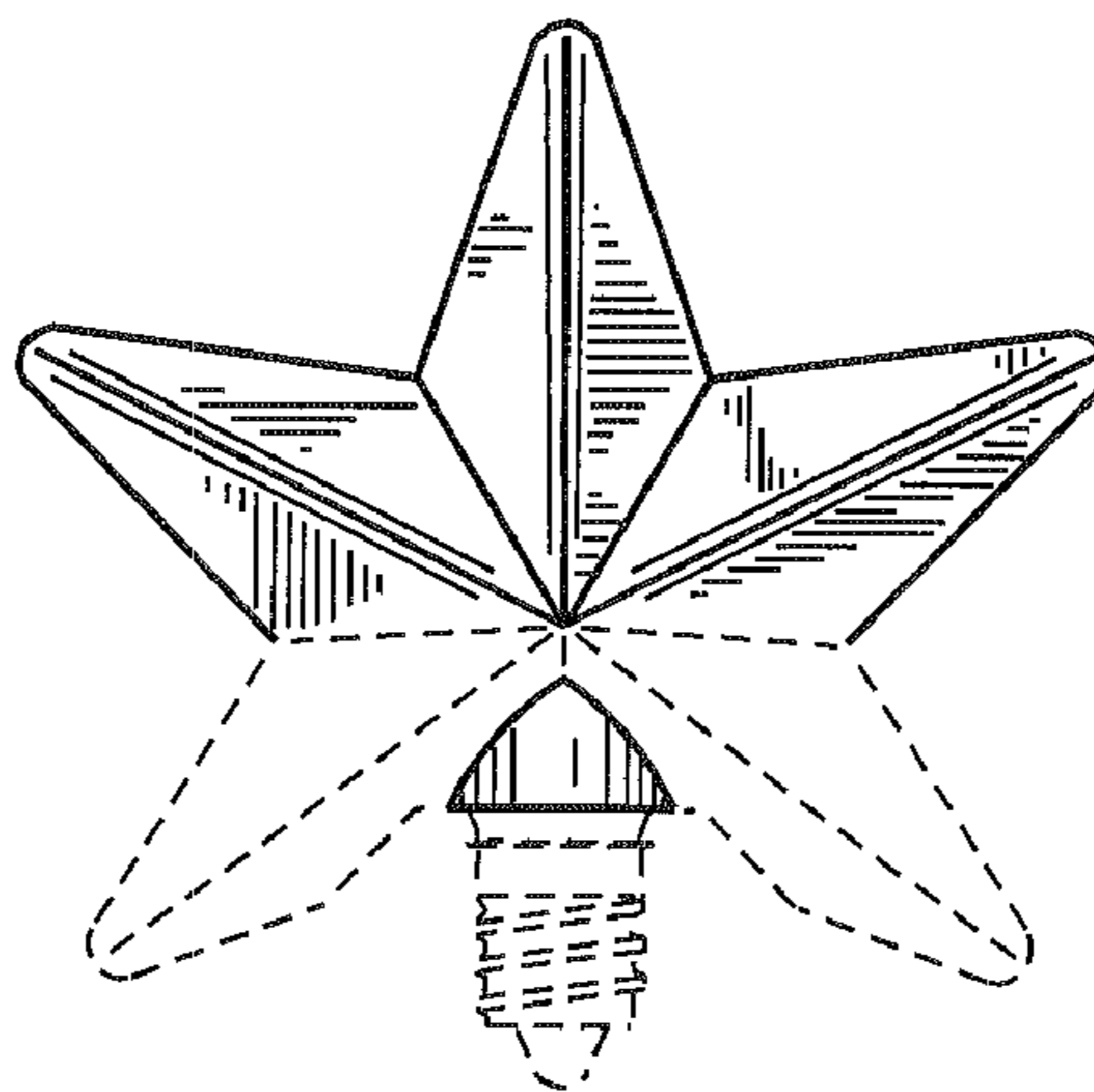
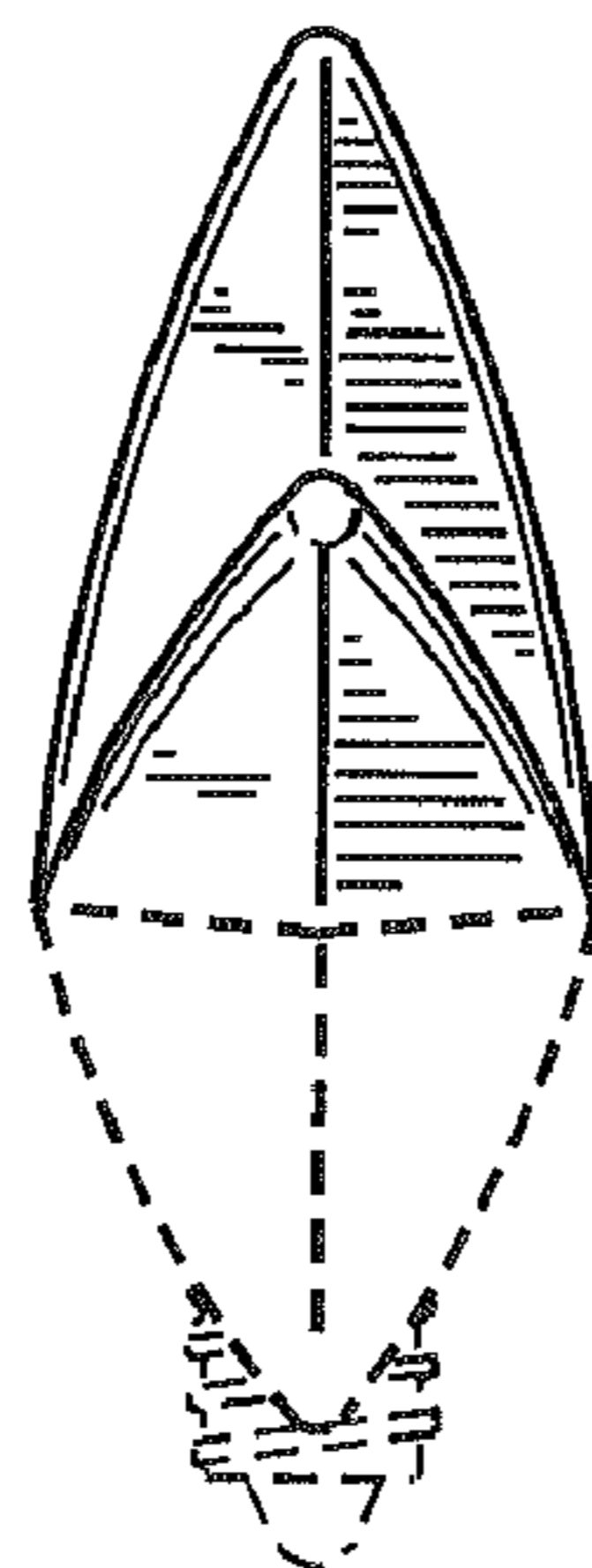


FIG. 3



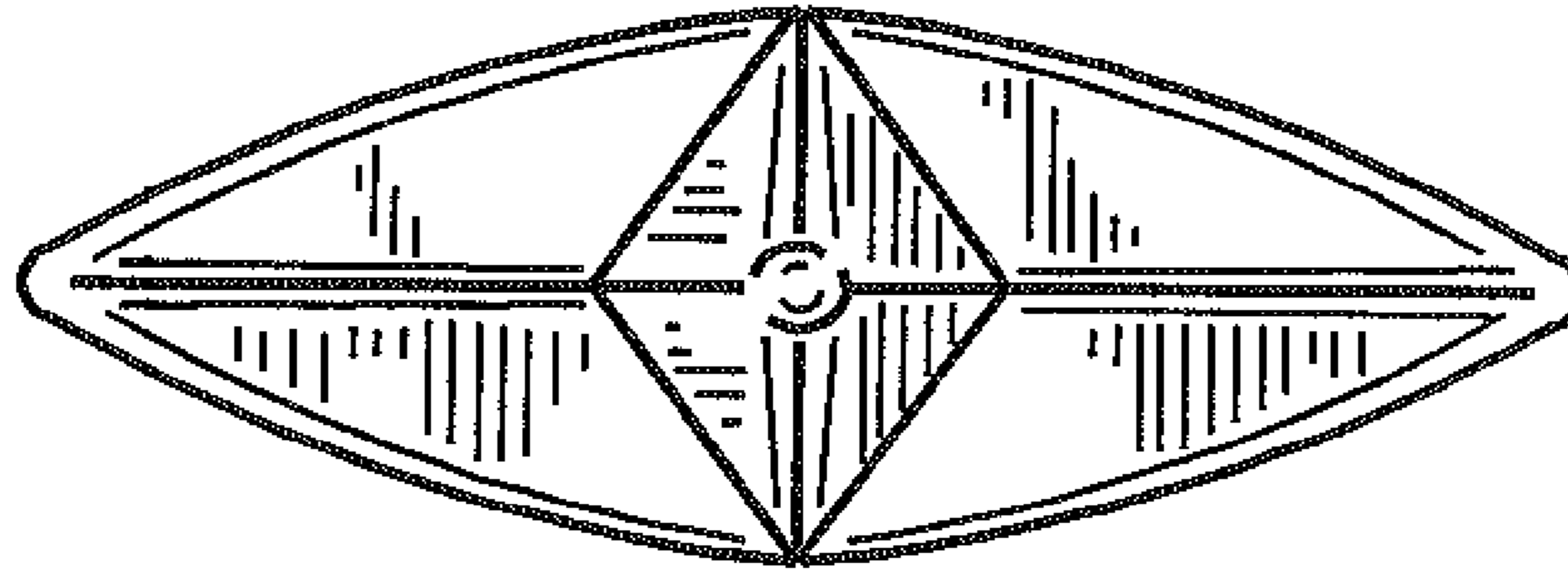


FIG. 4

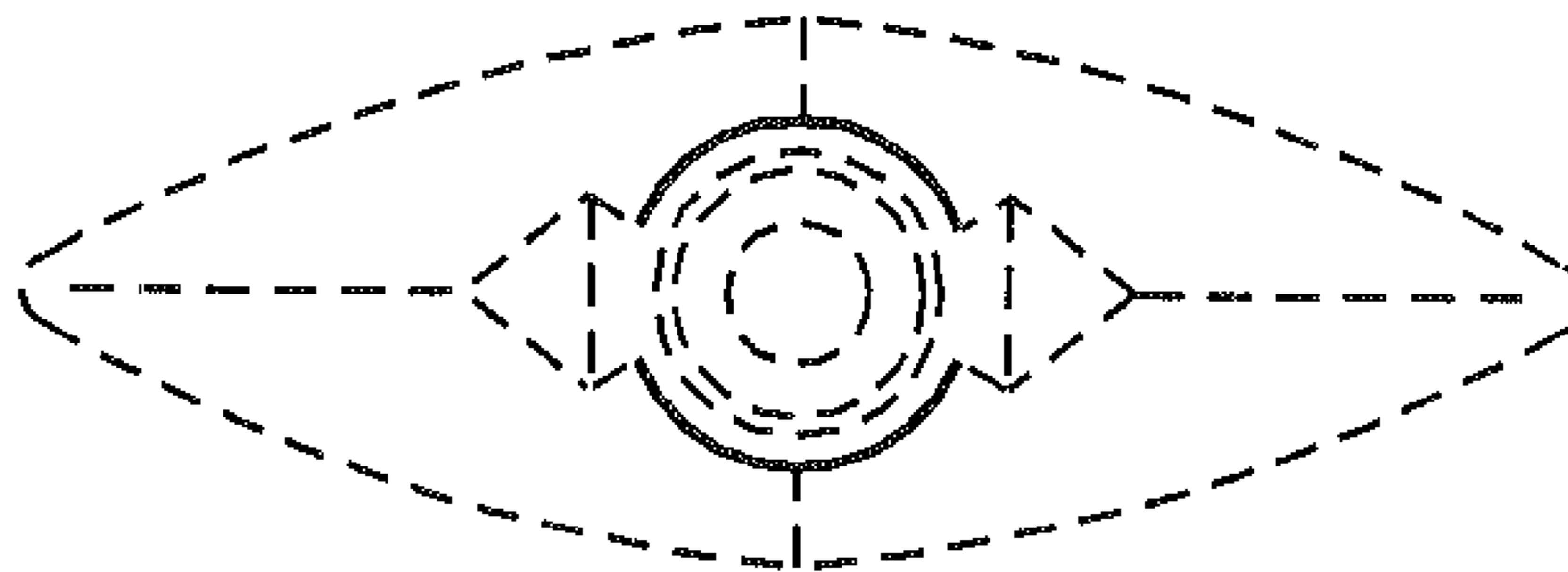


FIG. 5

FIG. 6

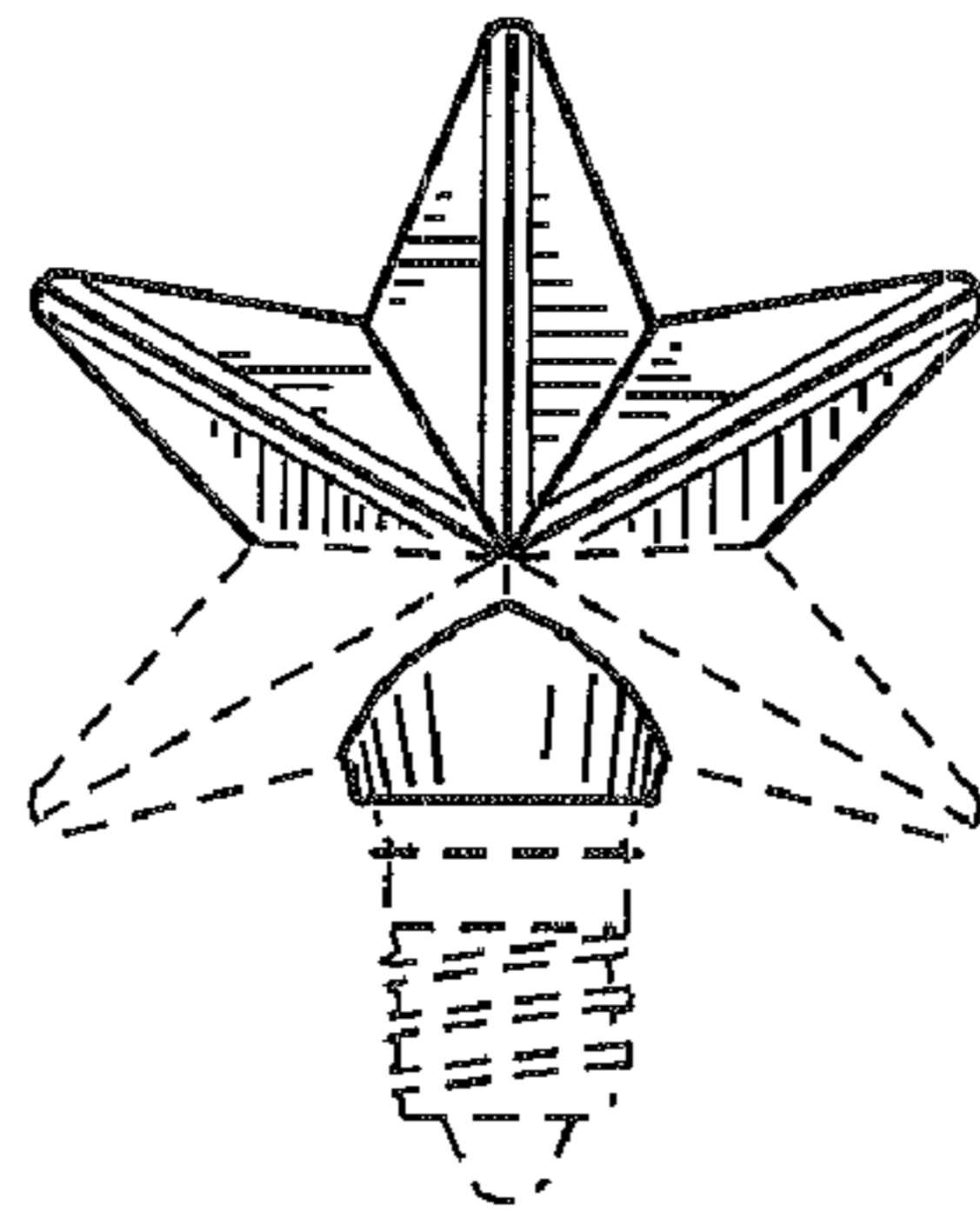
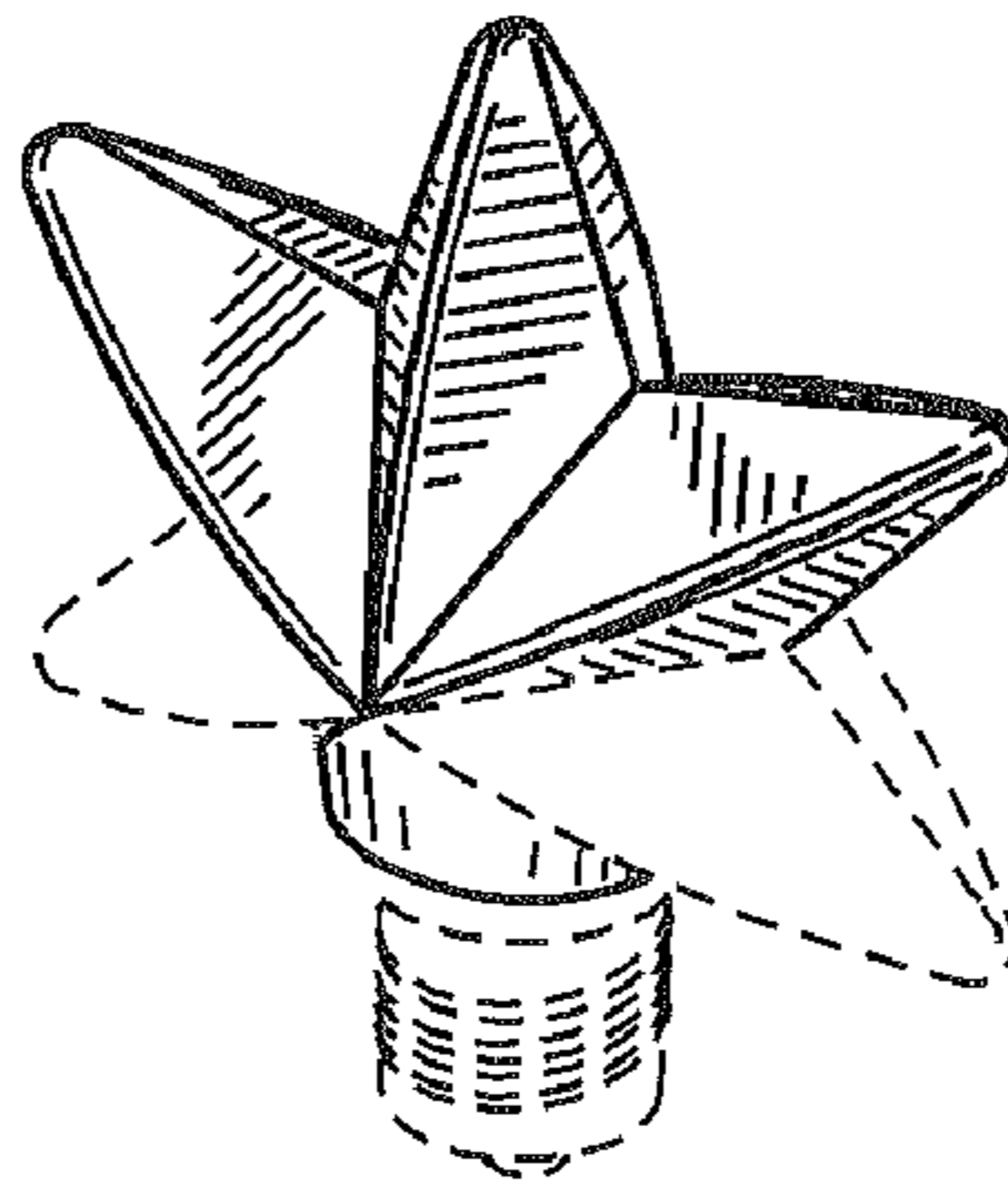


FIG. 7

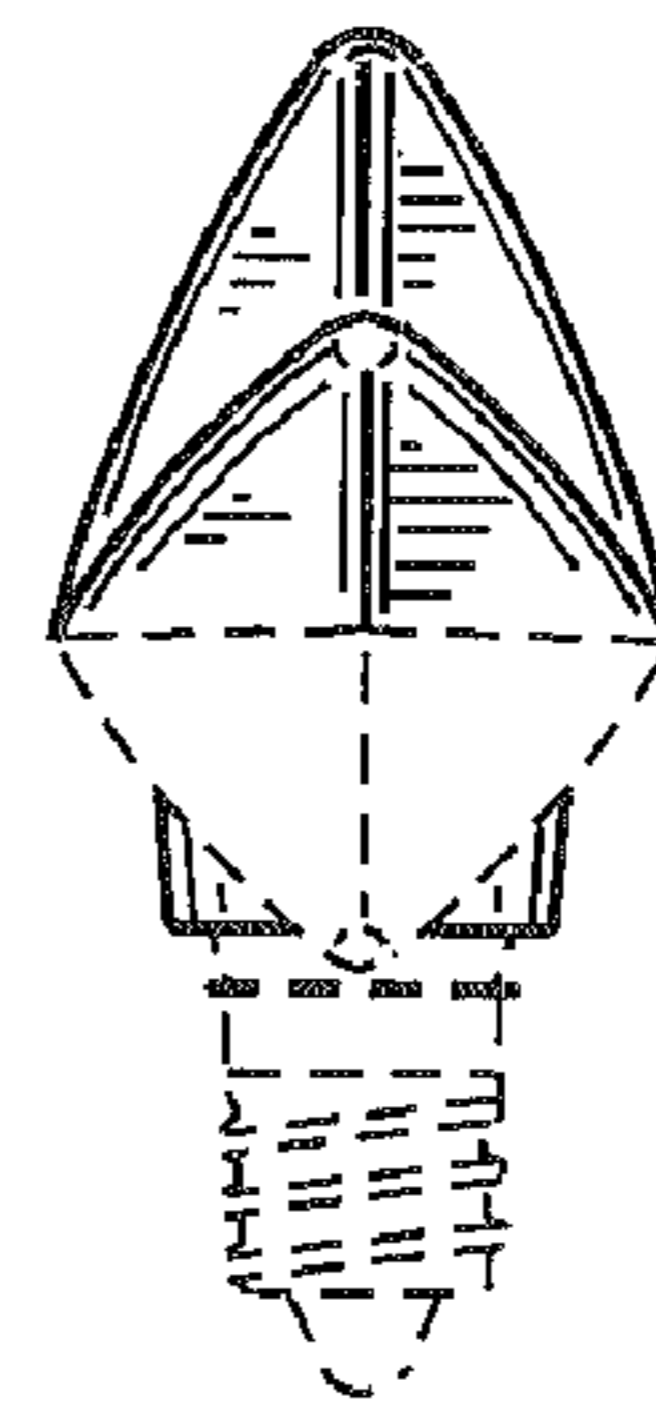


FIG. 8

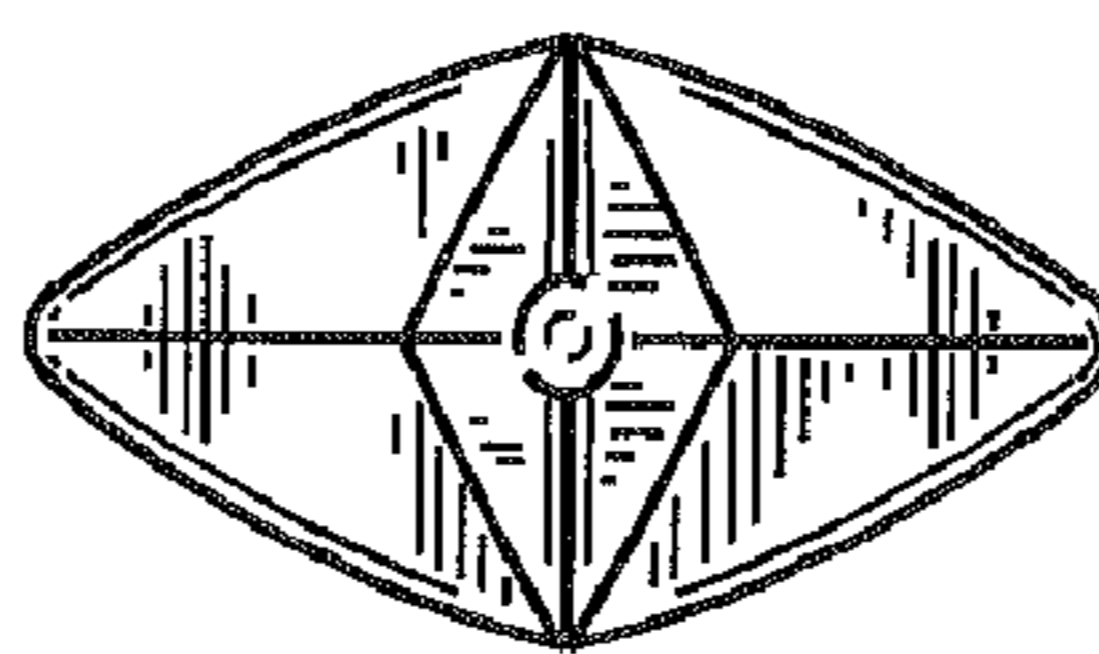


FIG. 9

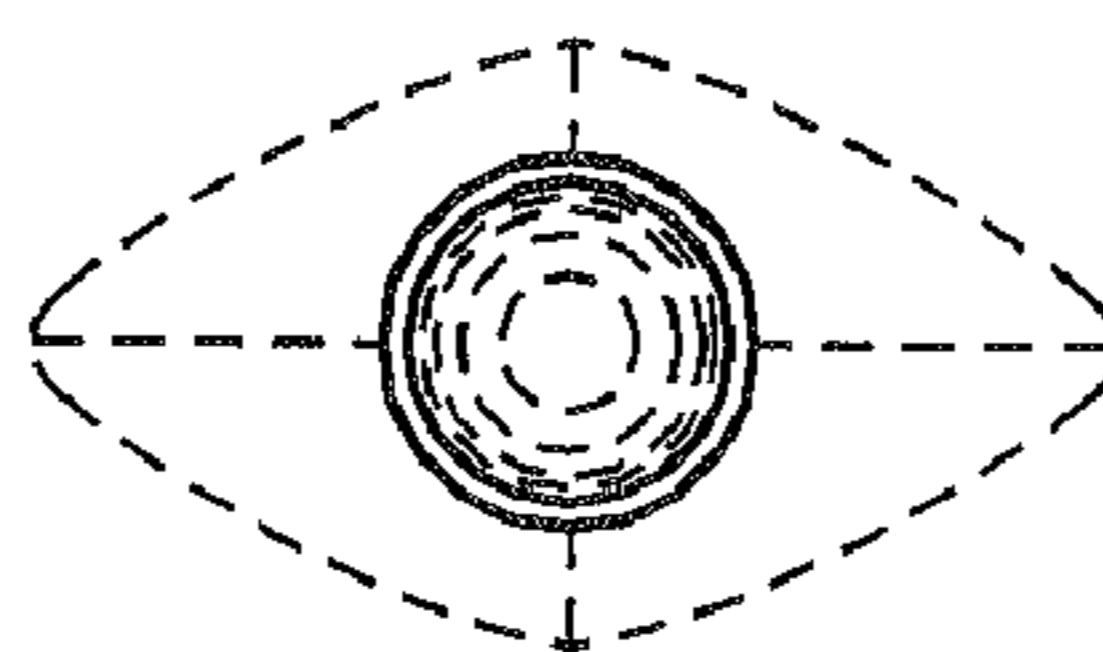


FIG. 10