



US00D565750S

(12) **United States Design Patent**  
**Egawa**

(10) **Patent No.:** **US D565,750 S**

(45) **Date of Patent:** **\*\* Apr. 1, 2008**

(54) **LIGHT EMITTING DIODE LAMP**

(75) Inventor: **Kazuo Egawa**, Tokyo (JP)

(73) Assignee: **Toshiba Lighting & Technology Corporation**, Tokyo (JP)

(\*\*) Term: **14 Years**

(21) Appl. No.: **29/259,660**

(22) Filed: **May 12, 2006**

(30) **Foreign Application Priority Data**

Nov. 16, 2005 (JP) ..... 2005-033841

(51) **LOC (8) Cl.** ..... **26-04**

(52) **U.S. Cl.** ..... **D26/1**

(58) **Field of Classification Search** ..... D26/1,  
D26/24, 72, 80; 362/240, 555; 313/1  
See application file for complete search history.

(56) **References Cited**

**U.S. PATENT DOCUMENTS**

D57,574 S *	4/1921	Bernecker	.....	D26/24
D166,411 S *	4/1952	Rahn	.....	D26/80
D220,580 S *	4/1971	Edenberg	.....	D26/80
D243,035 S *	1/1977	Kohlenstein	.....	D26/24
D272,656 S *	2/1984	Parker	.....	D26/65

6,357,904 B1 *	3/2002	Kawashima	.....	362/555
D509,309 S *	9/2005	Janssen	.....	D26/1
D548,857 S *	8/2007	Egawa	.....	D26/1
2005/0117365 A1 *	6/2005	Menke	.....	362/555
2005/0231974 A1 *	10/2005	Ruffin	.....	362/555

\* cited by examiner

*Primary Examiner*—Clare E Heflin

(74) *Attorney, Agent, or Firm*—J.C Patents

(57) **CLAIM**

The ornamental design for a light emitting diode lamp, as shown and described.

**DESCRIPTION**

FIG. 1 is a perspective view of a light emitting diode lamp showing the new design.

FIG. 2 is a front view thereof.

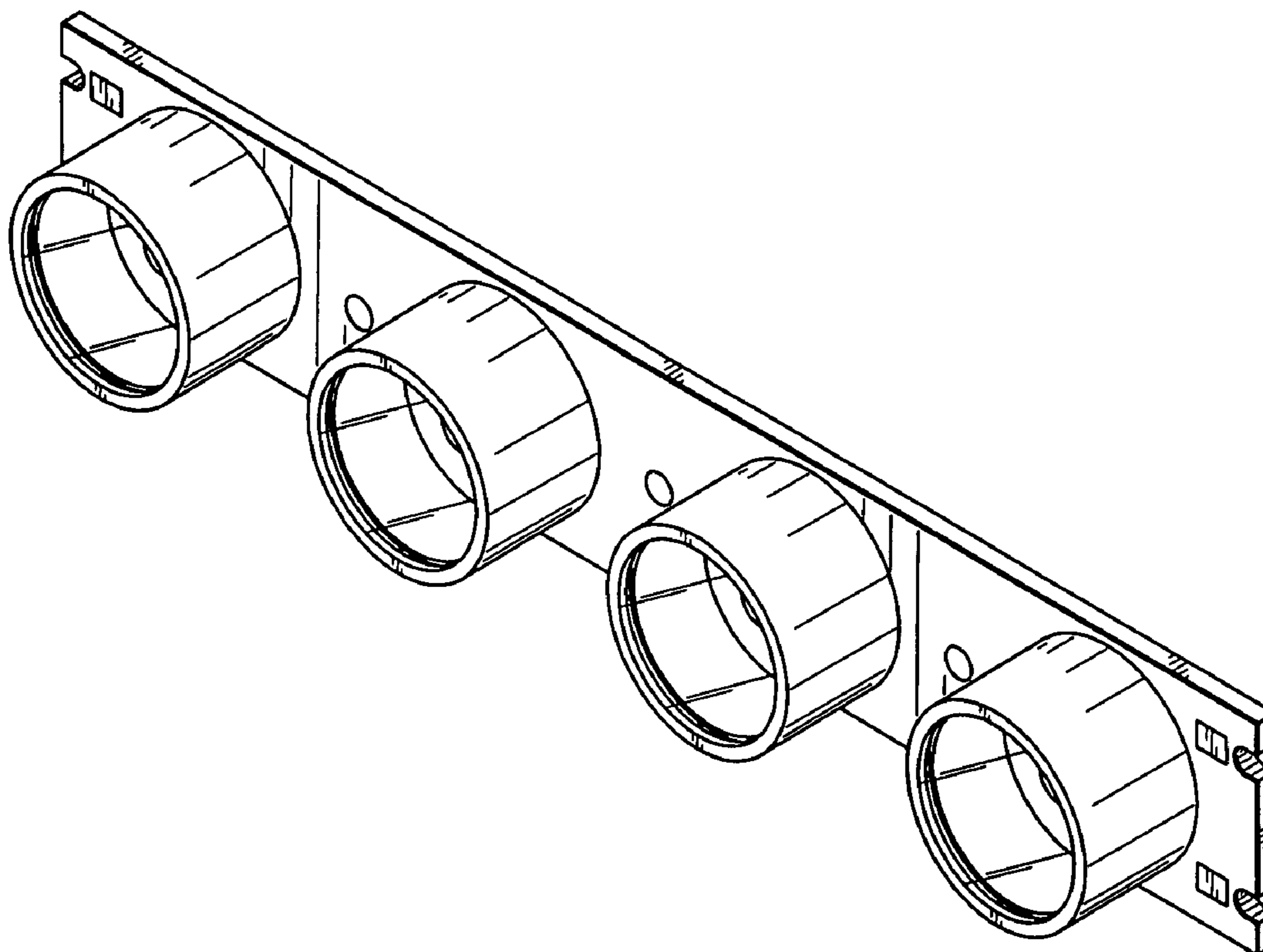
FIG. 3 is a rear view thereof.

FIG. 4 is a right side view thereof, the left side view is a mirror image of the right side view.

FIG. 5 is a top view thereof, the bottom view is a mirror image of the top view; and,

FIG. 6 is an end elevational view in section taken along line 6—6 in FIG. 2 with the internal parts omitted.

**1 Claim, 6 Drawing Sheets**



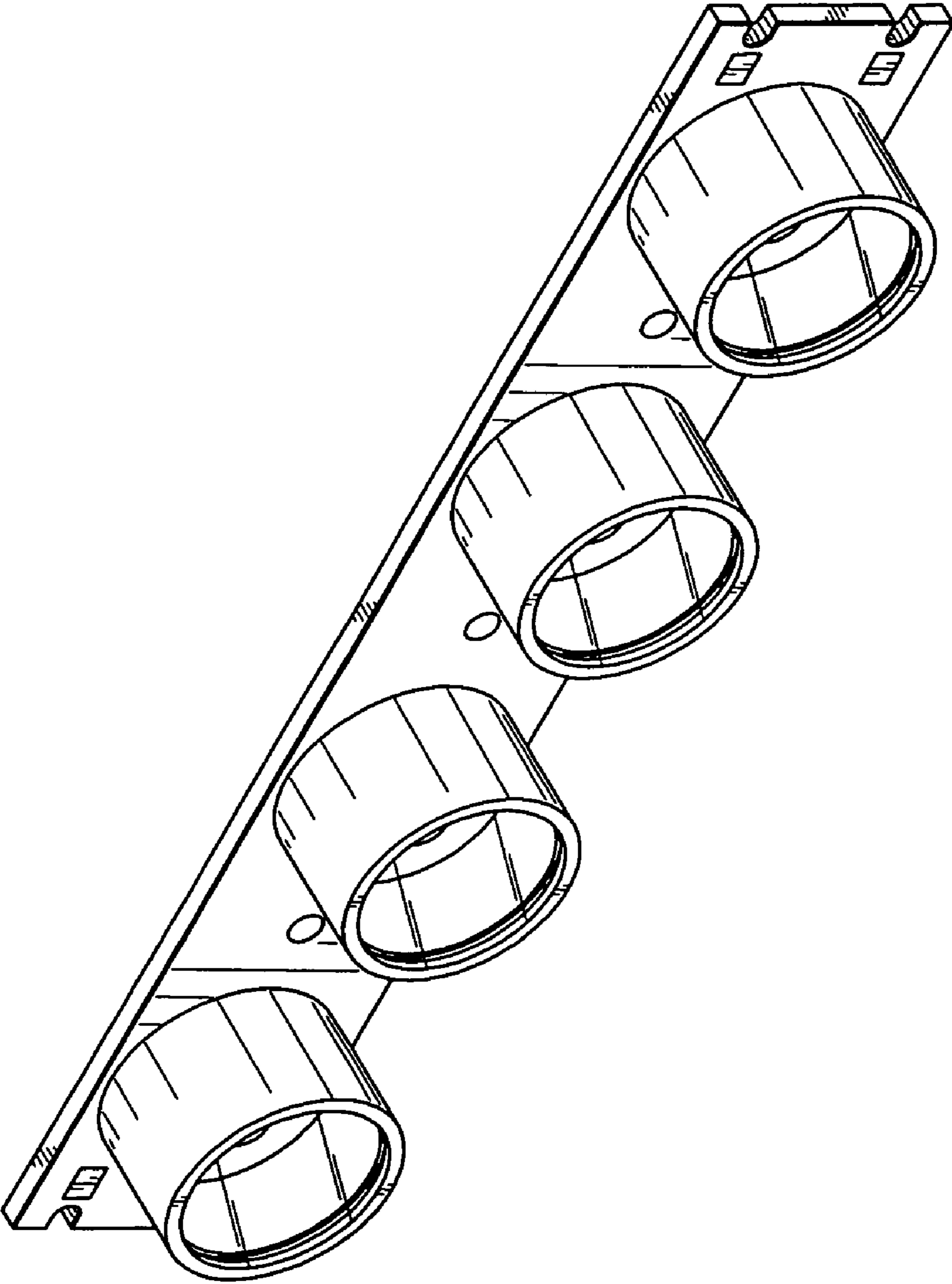


FIG. 1

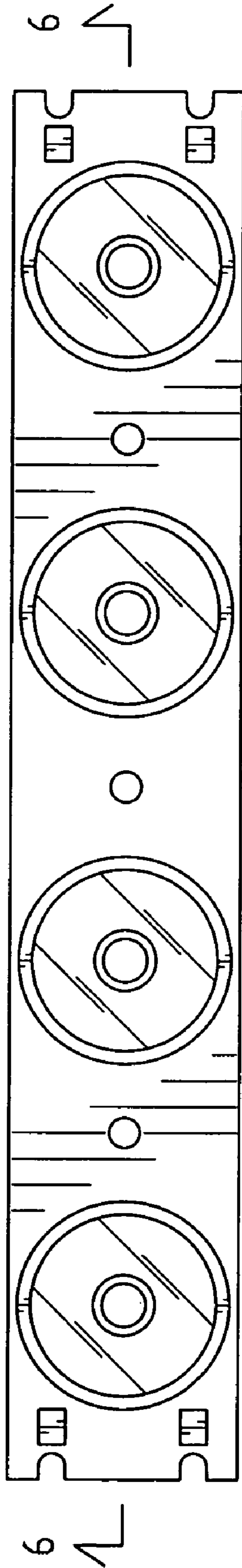


FIG. 2

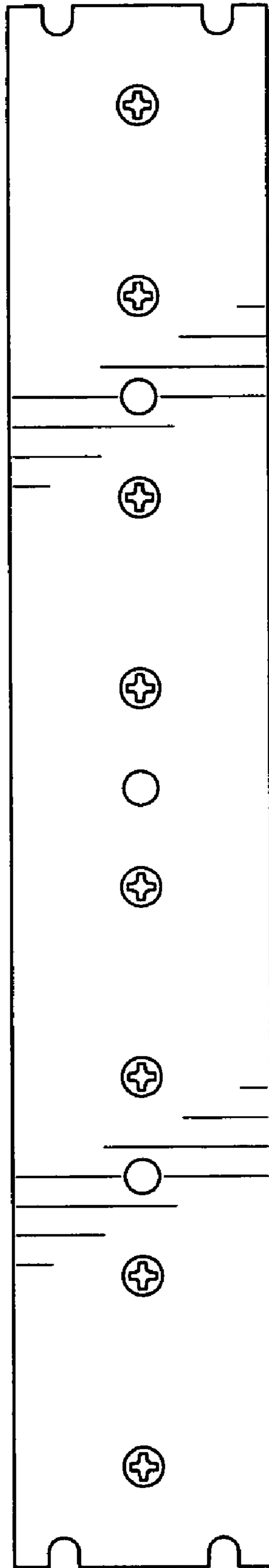


FIG. 3

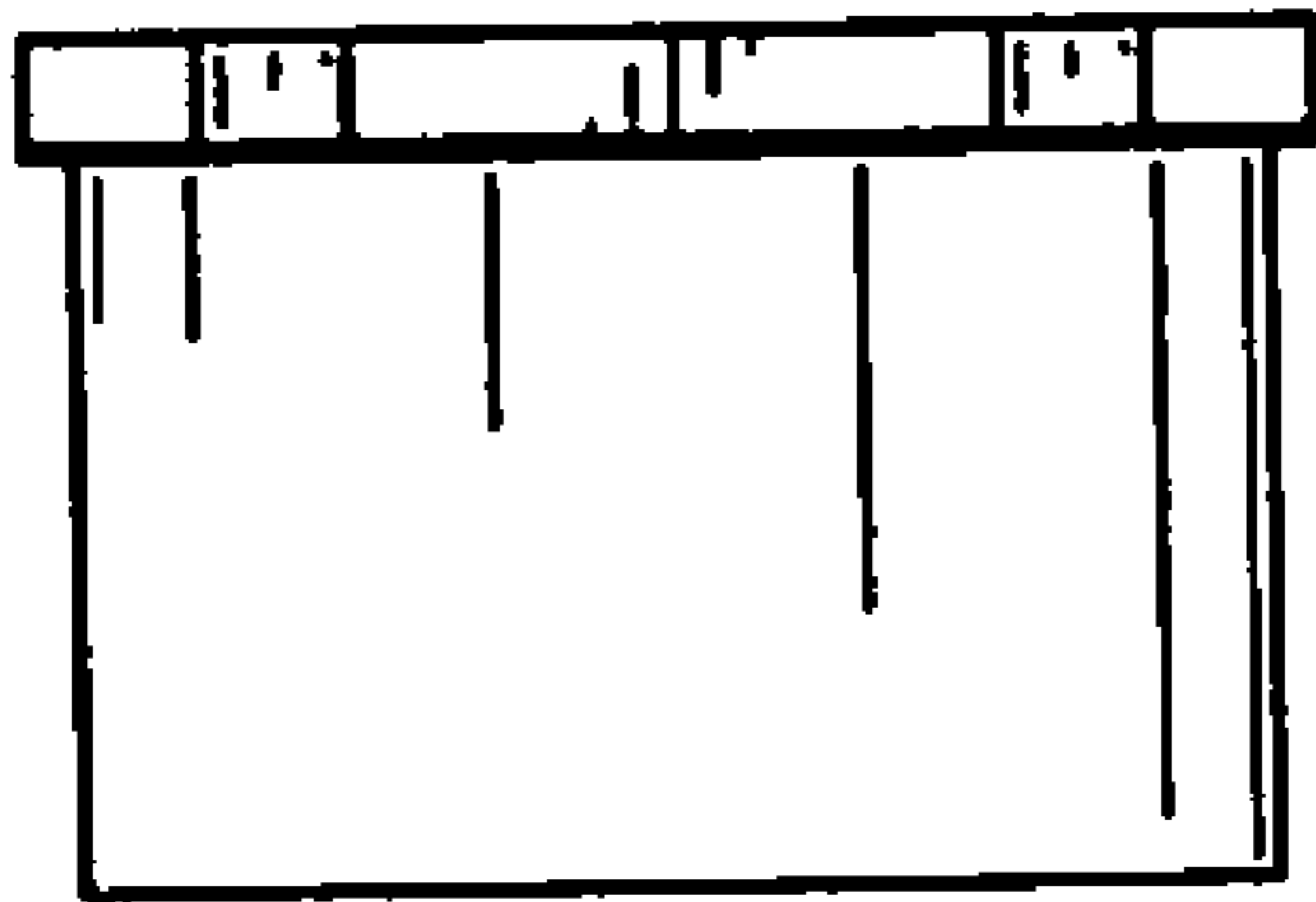


FIG. 4

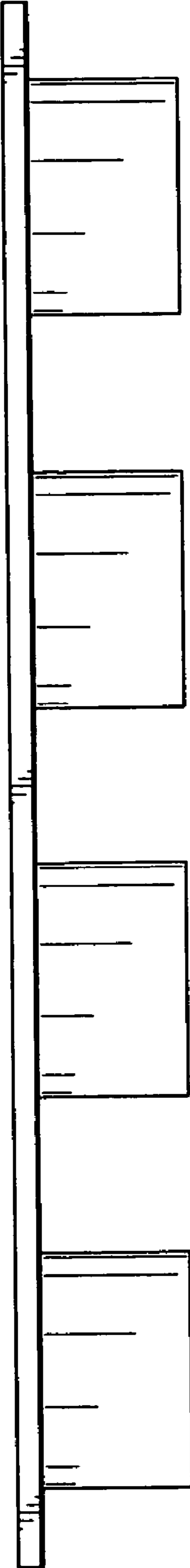


FIG. 5

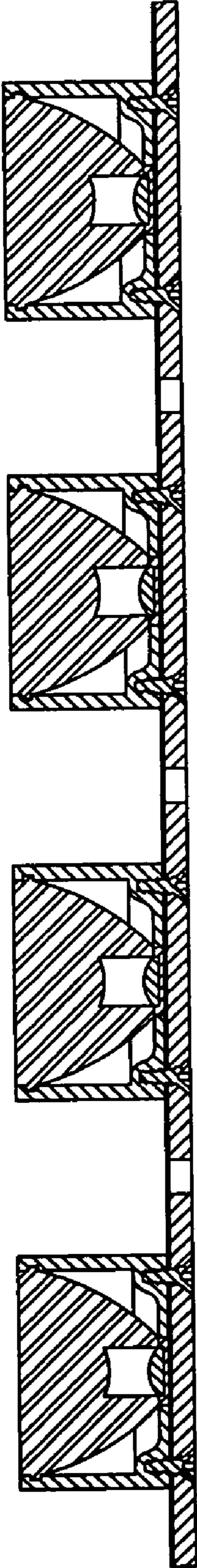


FIG. 6