

US00D565746S

(12) **United States Design Patent**
Allsopp

(10) **Patent No.:** **US D565,746 S**

(45) **Date of Patent:** **** Apr. 1, 2008**

(54) **ANGLE JOINT**

(75) Inventor: **Reginald Charles Allsopp**, Stockport (GB)

(73) Assignee: **Louver-Lite Limited**, Cheshire (GB)

(**) Term: **14 Years**

(21) Appl. No.: **29/240,408**

(22) Filed: **Oct. 12, 2005**

(30) **Foreign Application Priority Data**

Apr. 12, 2005 (EM) 000328679

(51) **LOC (8) Cl.** **25-01**

(52) **U.S. Cl.** **D25/102**

(58) **Field of Classification Search** D25/60,
D25/102; 52/656.1, 656.2, 655.1; 403/231,
403/402, 205, 403; 49/479.1; 160/107

See application file for complete search history.

(56) **References Cited**

U.S. PATENT DOCUMENTS

5,000,242 A 3/1991 Coddens
5,282,504 A 2/1994 Anderson et al.

6,108,997 A * 8/2000 Blais et al. 52/656.7
D442,702 S * 5/2001 Wilson D25/102
6,609,349 B2 * 8/2003 Davidsaver 52/771
6,817,401 B2 11/2004 Sun et al.
2003/0173036 A1 * 9/2003 Kwon et al. 160/107
2004/0211531 A1 10/2004 Dybdahl

FOREIGN PATENT DOCUMENTS

EP 0 942 141 9/1999

* cited by examiner

Primary Examiner—Doris Clark

(74) *Attorney, Agent, or Firm*—Haugen Law Firm PLLP

(57) **CLAIM**

The ornamental design for an angle joint, as shown and described.

DESCRIPTION

FIG. 1 is a top front perspective view of the present invention;

FIG. 2 is a bottom front perspective view of the present invention; and,

FIG. 3 is a bottom rear perspective view of the present invention.

1 Claim, 2 Drawing Sheets

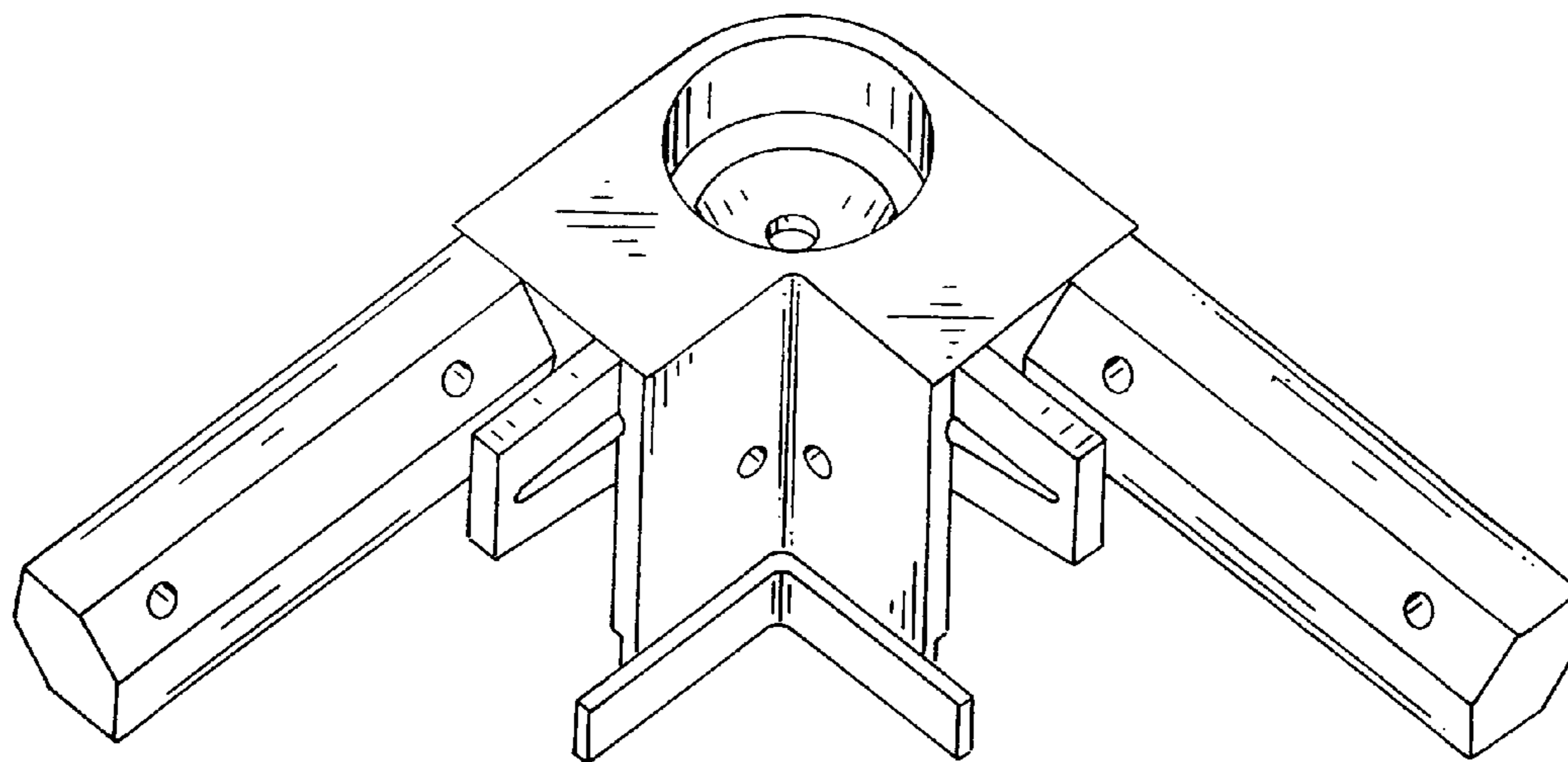


Fig.-1

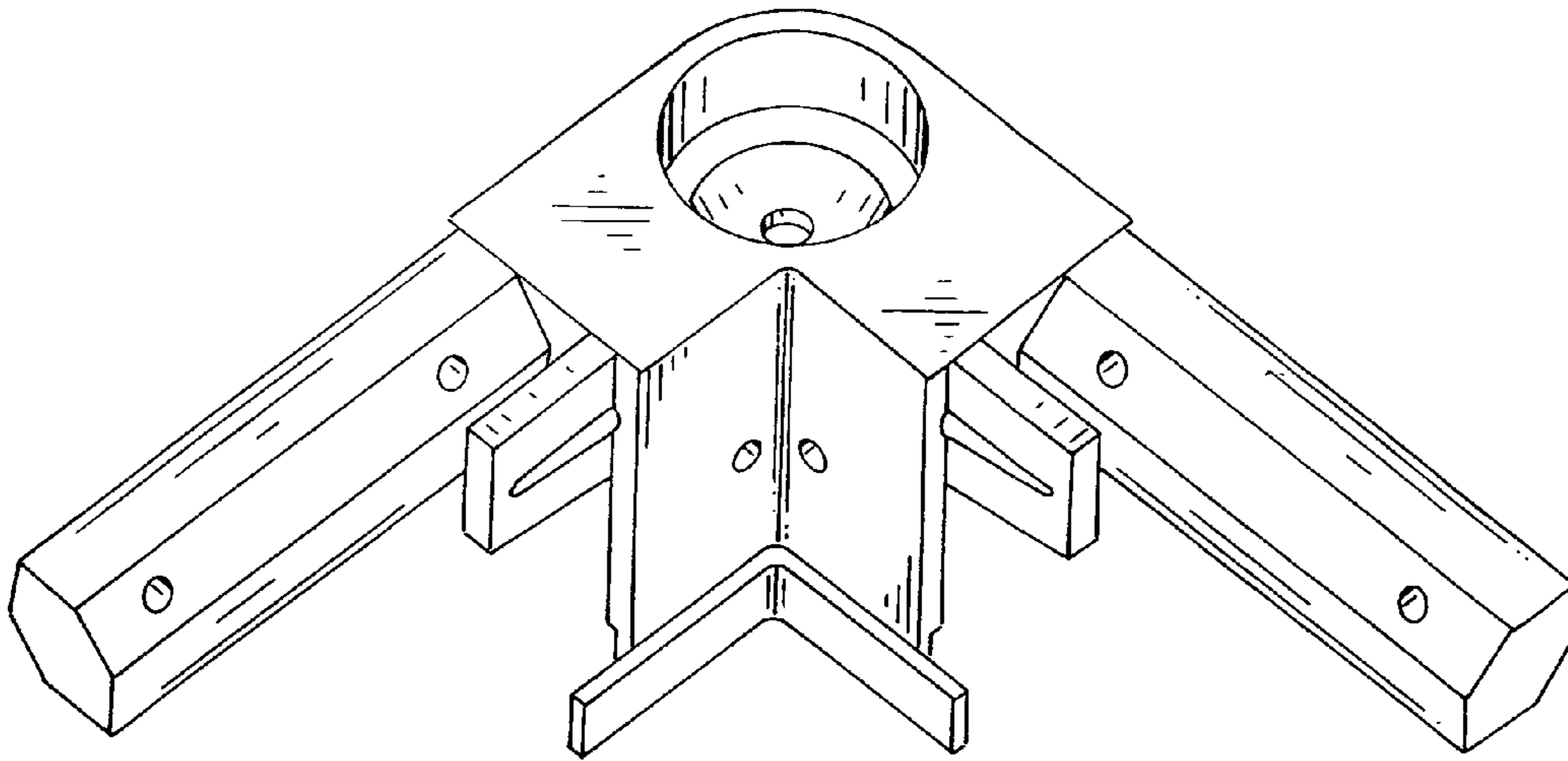


Fig.-2

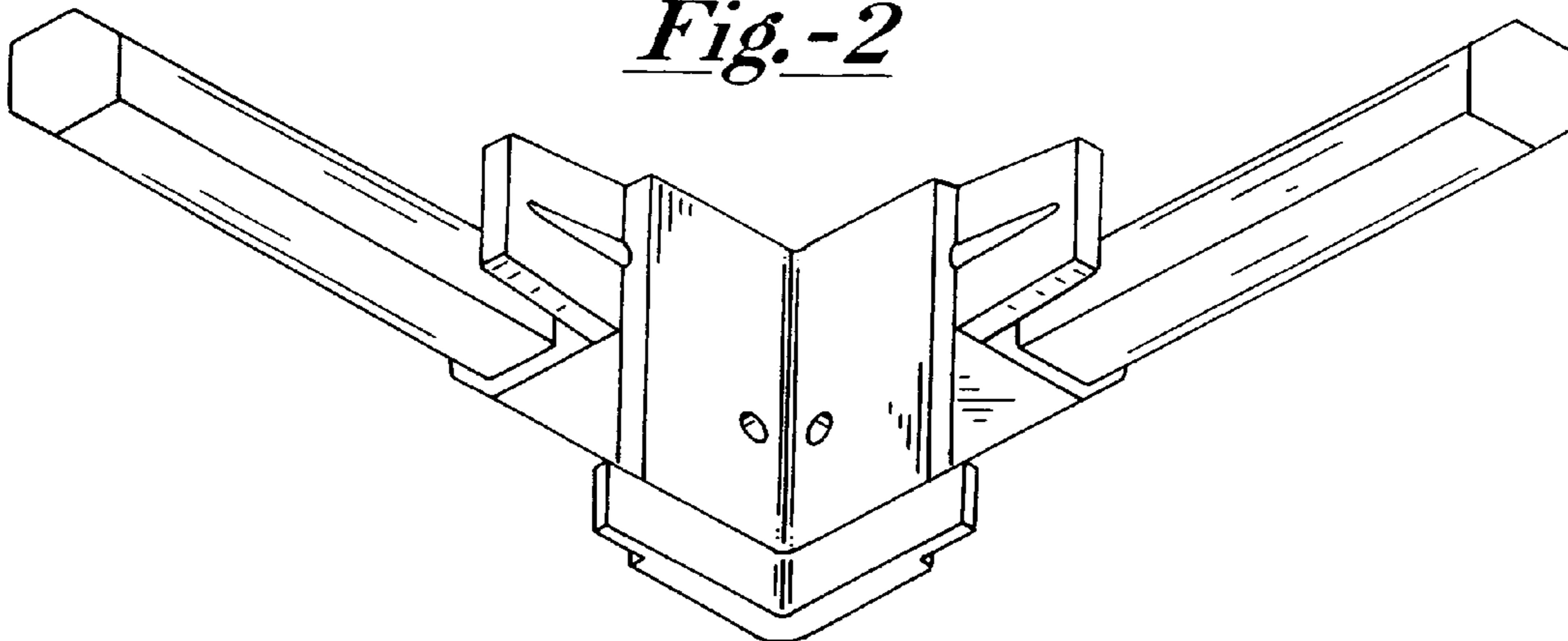


Fig.-3

