



US00D565745S

(12) **United States Design Patent**
Meyers et al.

(10) **Patent No.:** **US D565,745 S**

(45) **Date of Patent:** **** Apr. 1, 2008**

(54) **STEP STOOL**

(75) Inventors: **Thomas J. Meyers**, Greenwood, IN (US); **Paul F. Meyers**, Fishers, IN (US)

(73) Assignee: **Cosco Management, Inc.**, Wilmington, DE (US)

(**) Term: **14 Years**

(21) Appl. No.: **29/247,307**

(22) Filed: **Jun. 9, 2006**

(51) **LOC (8) Cl.** **25-04**

(52) **U.S. Cl.** **D25/65**

(58) **Field of Classification Search** D25/64,
D25/65; 182/95, 163, 132, 120, 23, 129
See application file for complete search history.

(56) **References Cited**

U.S. PATENT DOCUMENTS

D411,888 S	7/1999	King	
5,937,968 A *	8/1999	Gibson et al.	182/165
5,967,259 A *	10/1999	Williams	182/129
5,971,102 A *	10/1999	Brown	182/129
6,000,497 A	12/1999	Kain et al.	
6,026,933 A	2/2000	King et al.	
D434,855 S	12/2000	Ullum et al.	
D444,574 S	7/2001	Gibson et al.	

D445,842 S	7/2001	Scerri	
D447,572 S	9/2001	Rosko	
D447,817 S	9/2001	Rosko	
6,390,238 B1	5/2002	Gibson et al.	
D458,385 S *	6/2002	Rosko	D25/64
6,427,805 B1	8/2002	Gibson et al.	
6,450,290 B1 *	9/2002	Spak	182/165
D465,289 S	11/2002	Gibson et al.	
6,550,579 B2	4/2003	Gibson et al.	

* cited by examiner

Primary Examiner—Doris Clark

(74) *Attorney, Agent, or Firm*—Barnes & Thornburg LLP

(57) **CLAIM**

The ornamental design for a step stool, as shown and described.

DESCRIPTION

FIG. 1 is a perspective view of a step stool illustrating our new design;

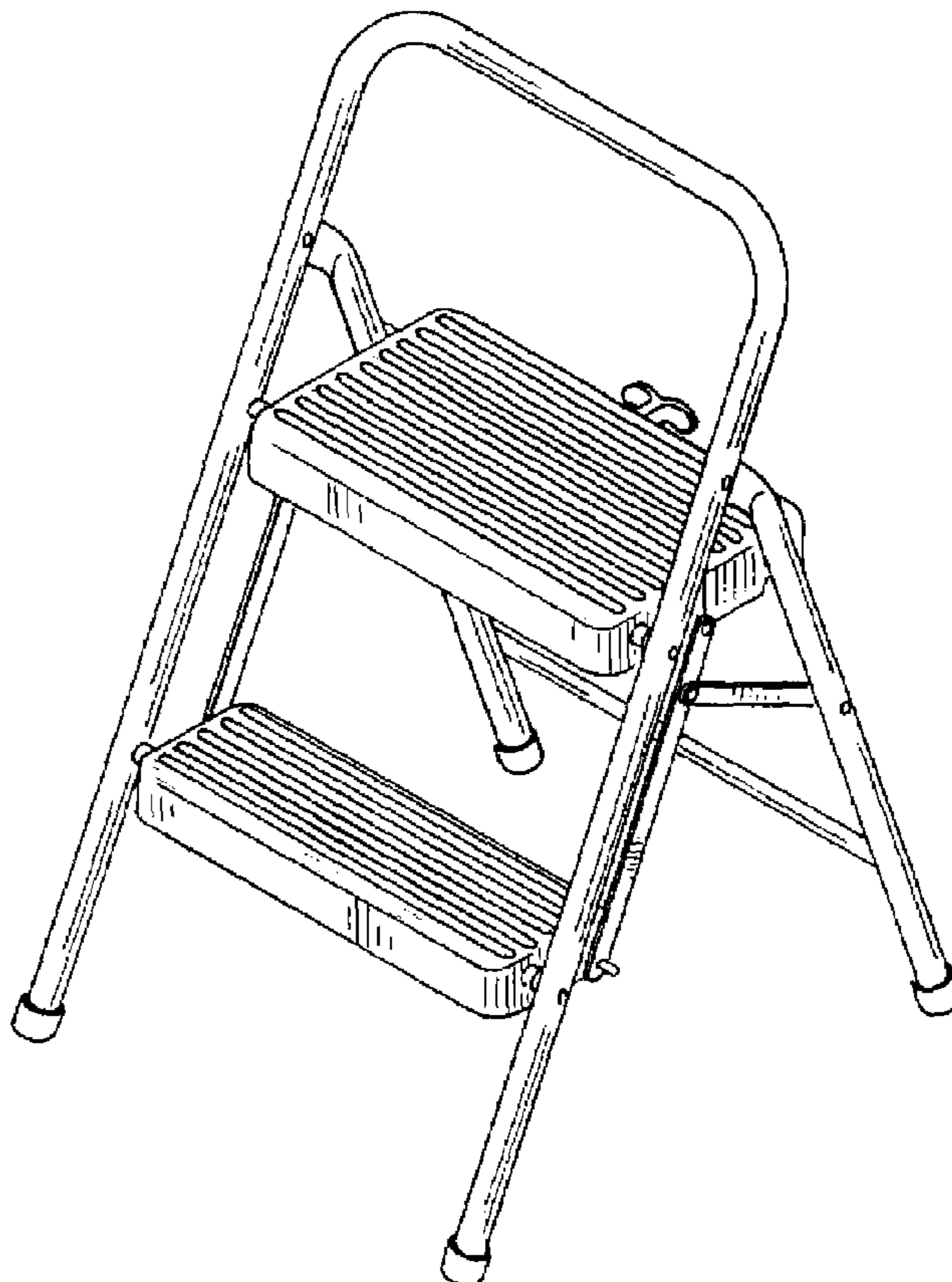
FIG. 2 is a right-side elevational view thereof, with the left-side elevational view thereof substantially similar;

FIG. 3 is a top plan view thereof;

FIG. 4 is a front elevation view thereof; and,

FIG. 5 is a rear elevation view thereof.

1 Claim, 2 Drawing Sheets



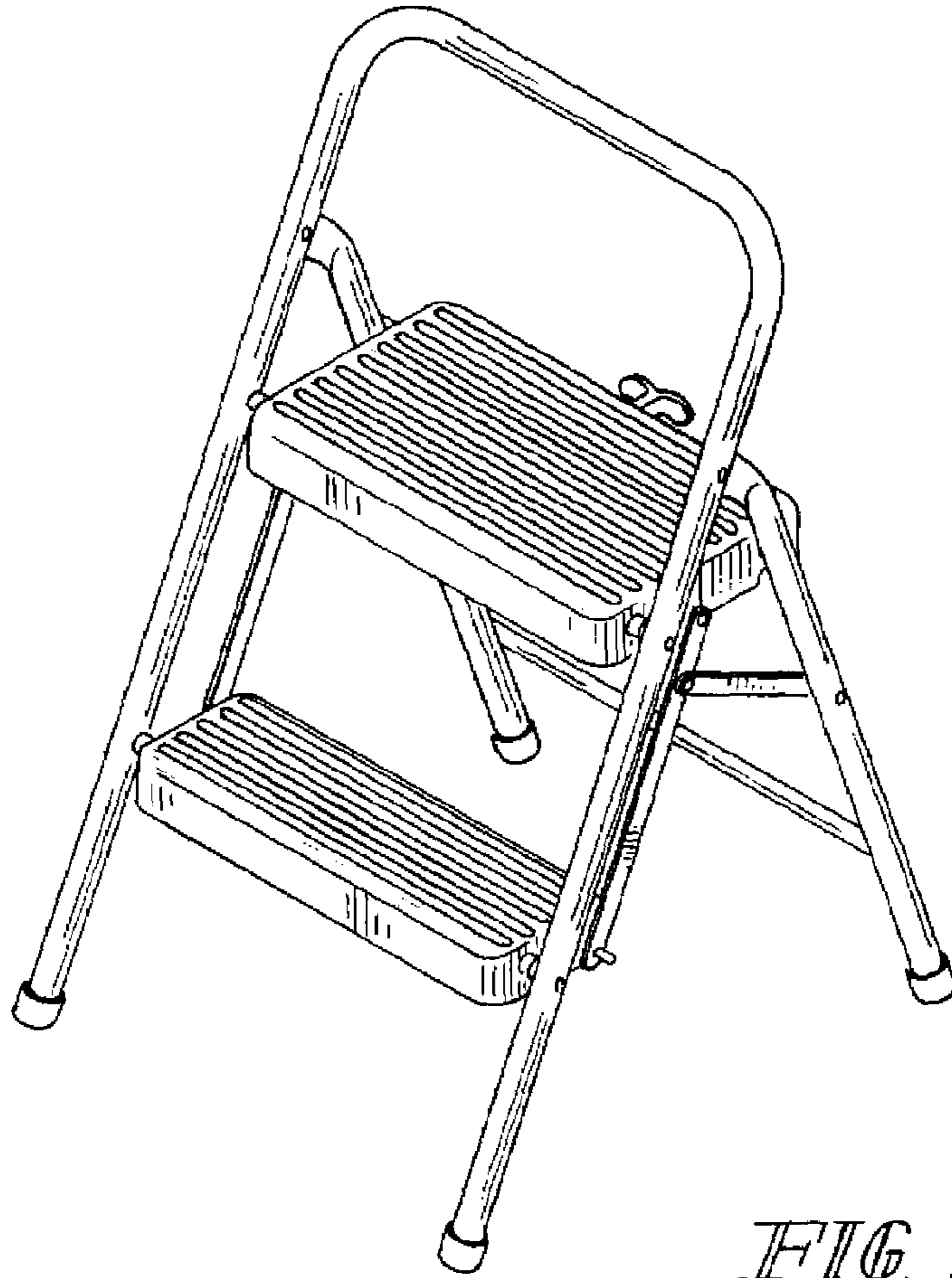


FIG. 1

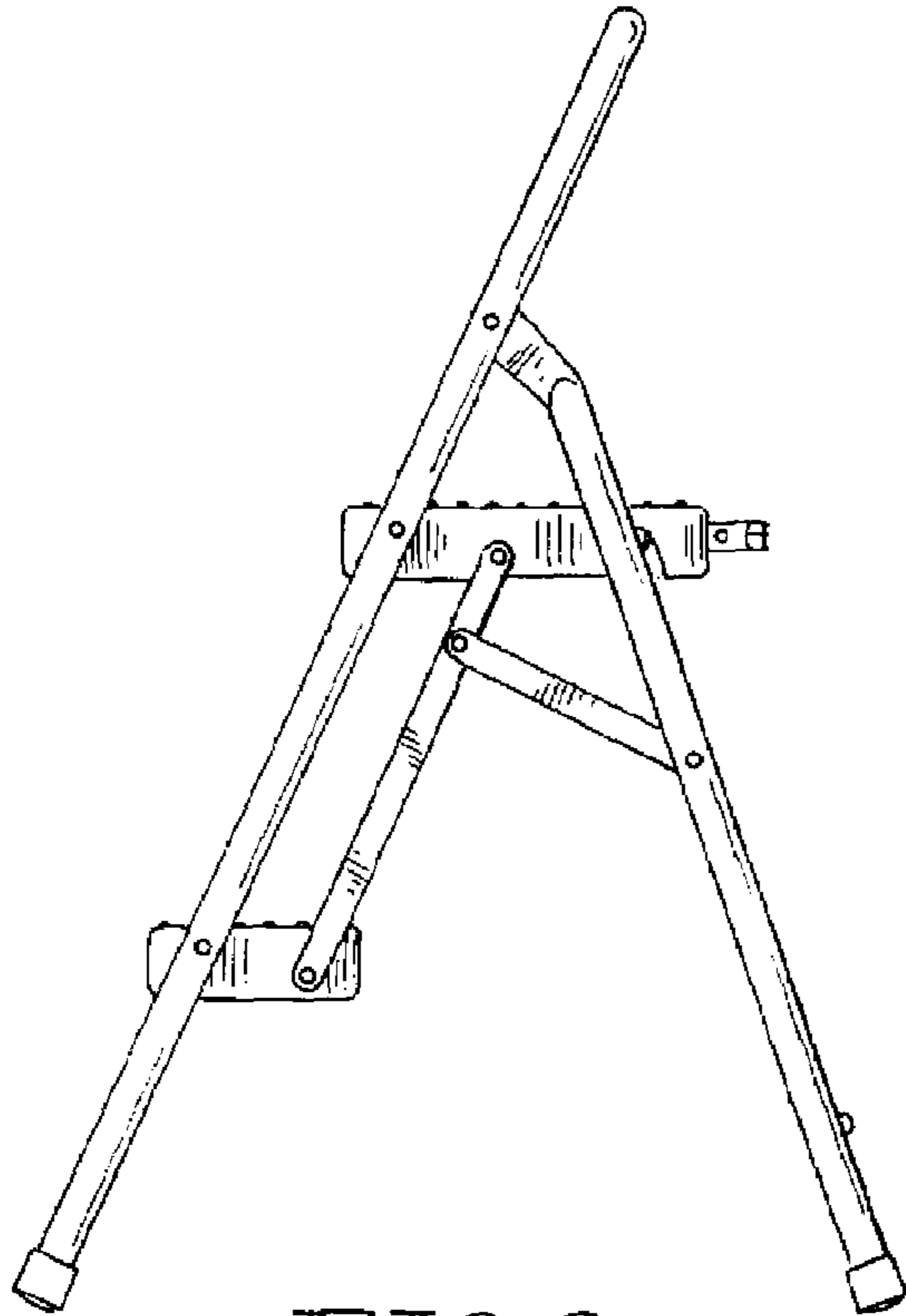


FIG. 2

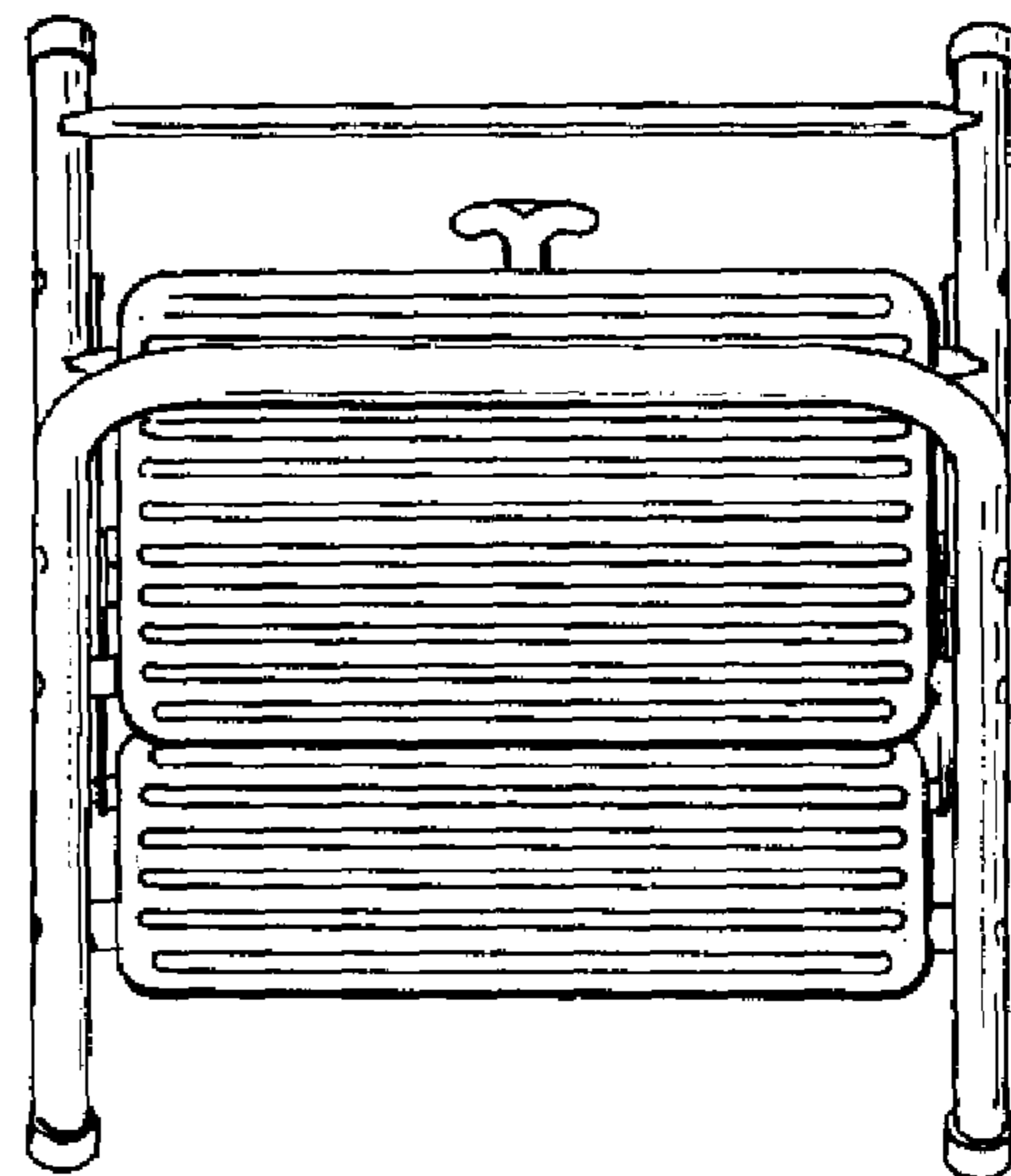


FIG. 3

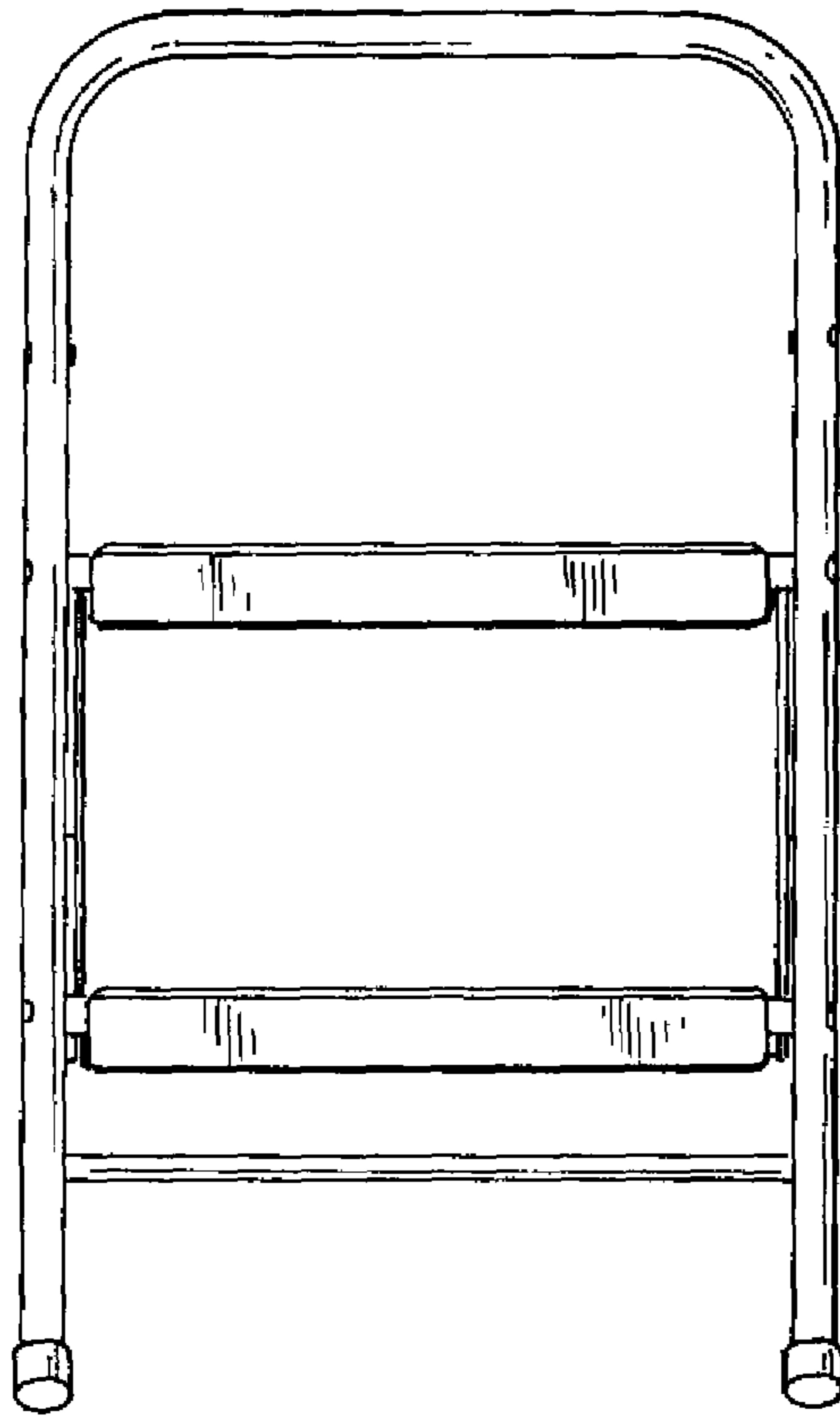


FIG. 4

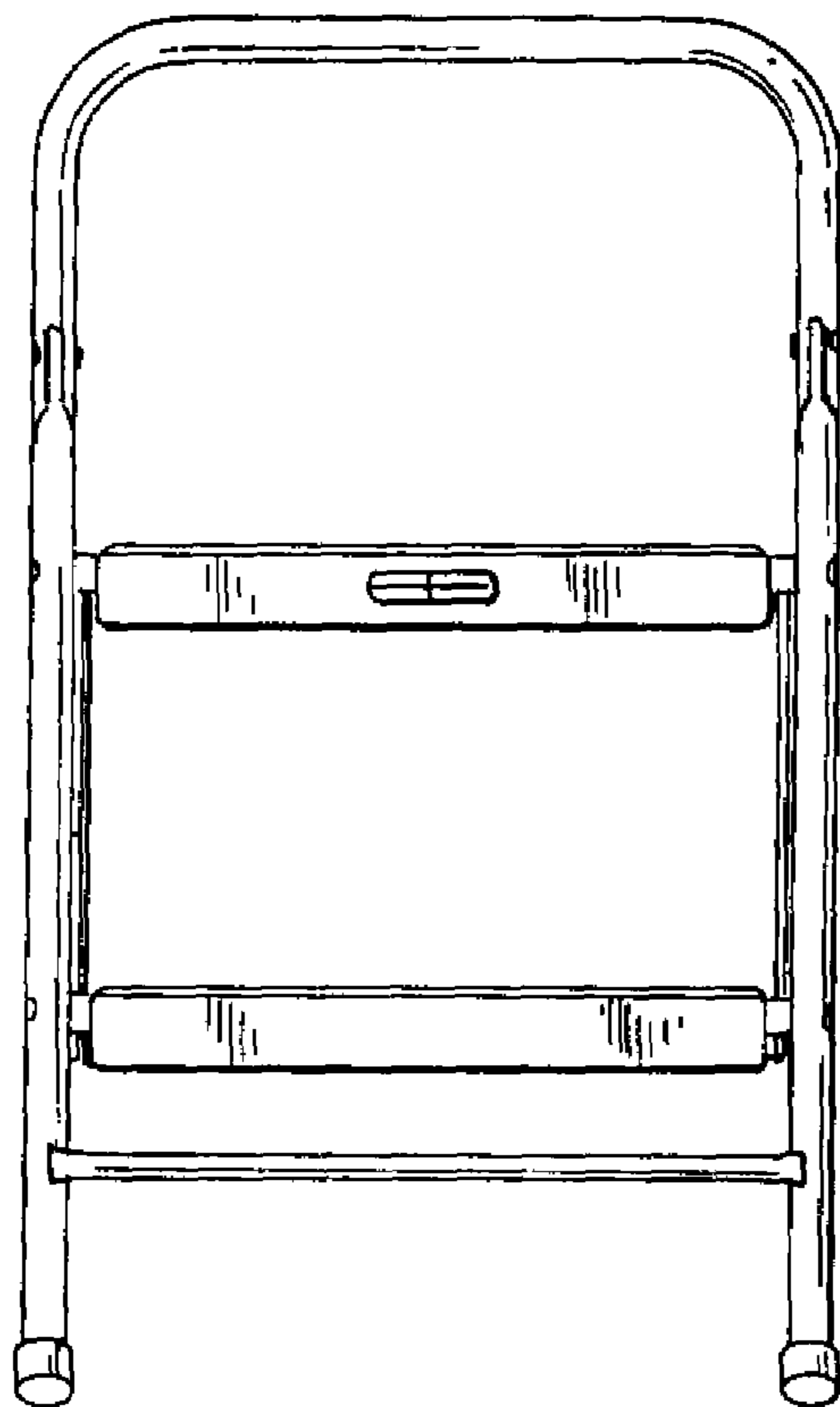


FIG. 5