



US00D565743S

(12) **United States Design Patent**
Phillips et al.

(10) **Patent No.:** **US D565,743 S**
(45) **Date of Patent:** **** Apr. 1, 2008**

(54) **SURGICAL CONTAINER WITH APPLICATORS**

4,510,119 A 4/1985 Hevey
4,595,102 A * 6/1986 Cianci et al. 206/572

(75) Inventors: **Michael Phillips**, Oconomowoc, WI (US); **Janet Phillips**, Oconomowoc, WI (US)

(Continued)

FOREIGN PATENT DOCUMENTS

(73) Assignee: **Vector Surgical, Inc.**, Oconomowoc, WI (US)

DE 10220238 1/2004
JP 03051200 3/1991

OTHER PUBLICATIONS

(**) Term: **14 Years**

About Rubber STAMPS.COM; Rubber Stamps and rubber stamp accessories from Inkadinkado; Colorbox Ink Pads—3 Colors; website: <http://www.aboutrubberstamps.com/colorbox3colors.html>; Sep. 27, 2004, 1 page.

(21) Appl. No.: **29/278,868**

(22) Filed: **Apr. 12, 2007**

Primary Examiner—Robert A. Delehanty
Assistant Examiner—Mark Cavanna

(51) **LOC (8) Cl.** **24-01**

(74) *Attorney, Agent, or Firm*—Michael Best & Friedrich LLP

(52) **U.S. Cl.** **D24/229**

(58) **Field of Classification Search** D24/227, D24/229–230; D9/456; 206/363–366, 370, 206/557, 570; 604/170.01

See application file for complete search history.

(57) **CLAIM**

The ornamental design for surgical container with applicators, as shown and described.

(56) **References Cited**

U.S. PATENT DOCUMENTS

- 2,297,990 A 10/1942 Schmitt et al.
- 2,932,906 A 4/1960 Chamberlin
- 3,352,280 A 11/1967 Hughes et al.
- D209,641 S * 12/1967 Foreman D24/230
- D218,077 S * 7/1970 Bunt D24/229
- 3,635,808 A 1/1972 Elevitch
- 4,025,393 A 5/1977 Hirschfeld
- D244,581 S * 6/1977 Keough D9/456
- 4,034,700 A 7/1977 Bassett et al.
- D249,362 S * 9/1978 Forsman et al. D24/230
- D276,462 S * 11/1984 Villarreal D24/229

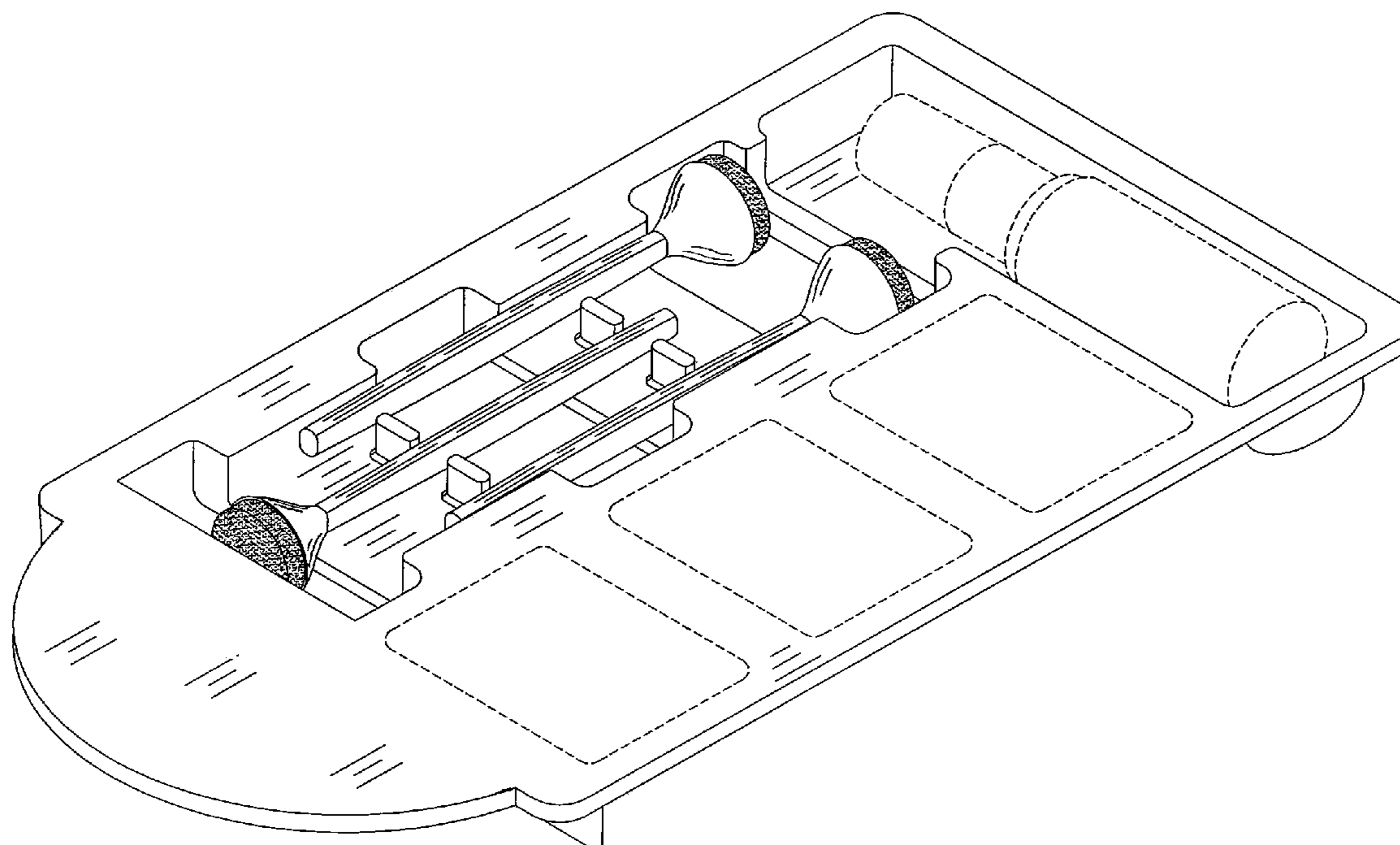
DESCRIPTION

FIG. 1 is a perspective view of a surgical container with applicators embodying the invention; and,

FIG. 2 is a top view of the surgical container with applicators of FIG. 1.

The broken line showing of the environment is for illustrative purposes only and forms no part of the claimed design. The side views, the bottom view, the front view, and the rear view form no part of the claimed design.

1 Claim, 2 Drawing Sheets



US D565,743 S

Page 2

U.S. PATENT DOCUMENTS

4,681,471	A	7/1987	Hayduchok et al.	6,286,682	B1	9/2001	d'Arbelles
5,092,184	A	3/1992	Goodell et al.	D450,391	S *	11/2001	Hunt et al. D24/227
5,098,661	A	3/1992	Froehlich et al.	6,321,487	B1	11/2001	Sardanelli et al.
D337,830	S *	7/1993	Coyne et al. D24/229	6,372,895	B1	4/2002	Bentsen et al.
5,318,543	A *	6/1994	Ross et al. 604/170.01	6,464,506	B1	10/2002	Welles
D376,652	S *	12/1996	Hunt et al. D24/229	6,569,676	B1	5/2003	Tripp et al.
5,670,118	A	9/1997	Sponholtz	D480,816	S *	10/2003	McMichael et al. D24/229
5,743,899	A	4/1998	Zinreich	6,703,247	B1	3/2004	Chu
D402,767	S *	12/1998	Davis et al. D24/229	6,723,290	B1	4/2004	Wardlaw
5,865,305	A	2/1999	Yasoshima	6,725,802	B1	4/2004	Carrington et al.
5,895,762	A	4/1999	Greenfield et al.	6,740,068	B1	5/2004	Aruffoo et al.
5,927,009	A	7/1999	Vanwingerden	6,743,228	B2	6/2004	Lee et al.
5,955,352	A	9/1999	Inoue et al.	D495,807	S *	9/2004	Agbodoe et al. D24/229
5,958,341	A	9/1999	Chu	2001/0025579	A1	10/2001	Winston
6,254,826	B1	7/2001	Acosta et al.	2003/0220640	A1	11/2003	Lee et al.

* cited by examiner

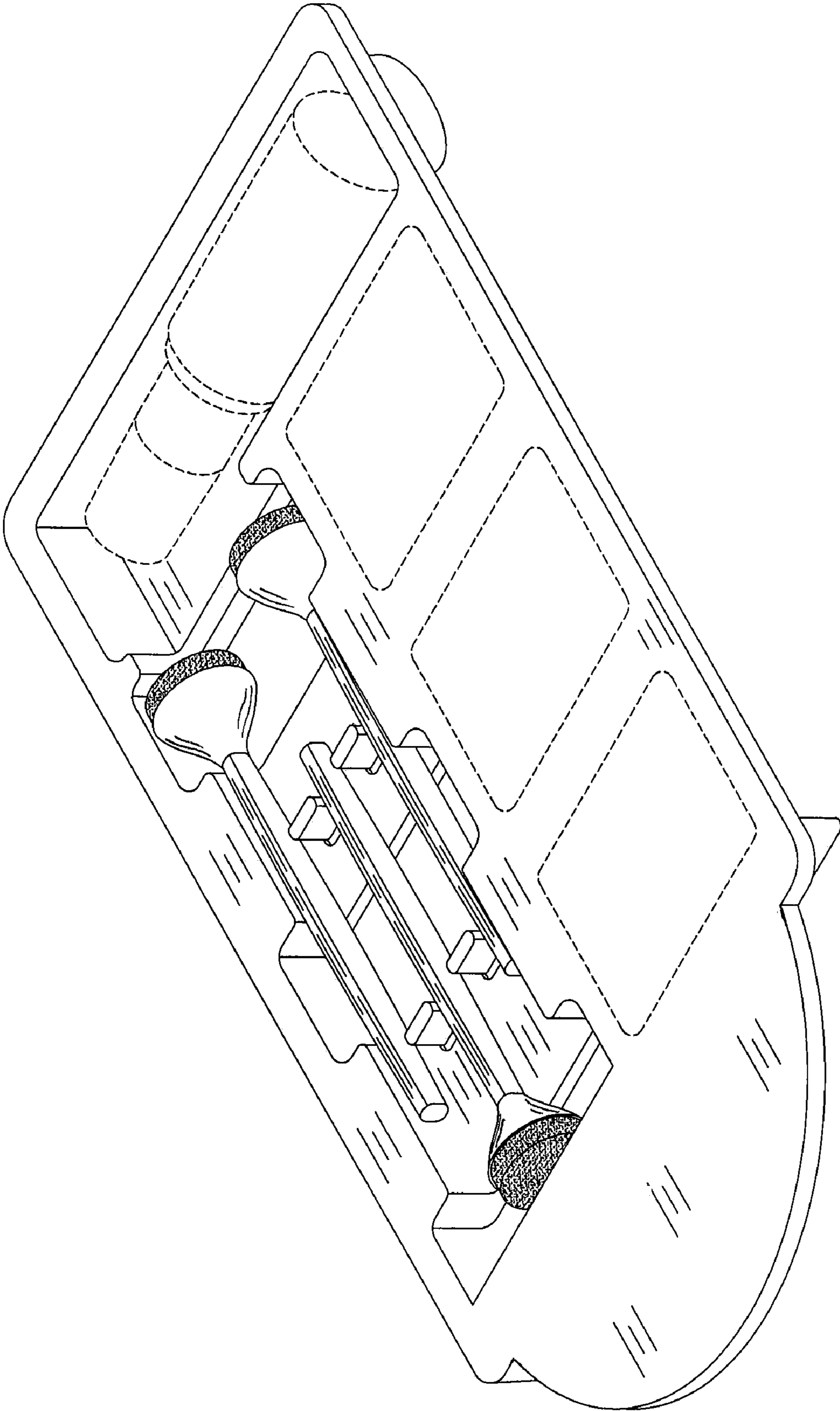


FIG. 1

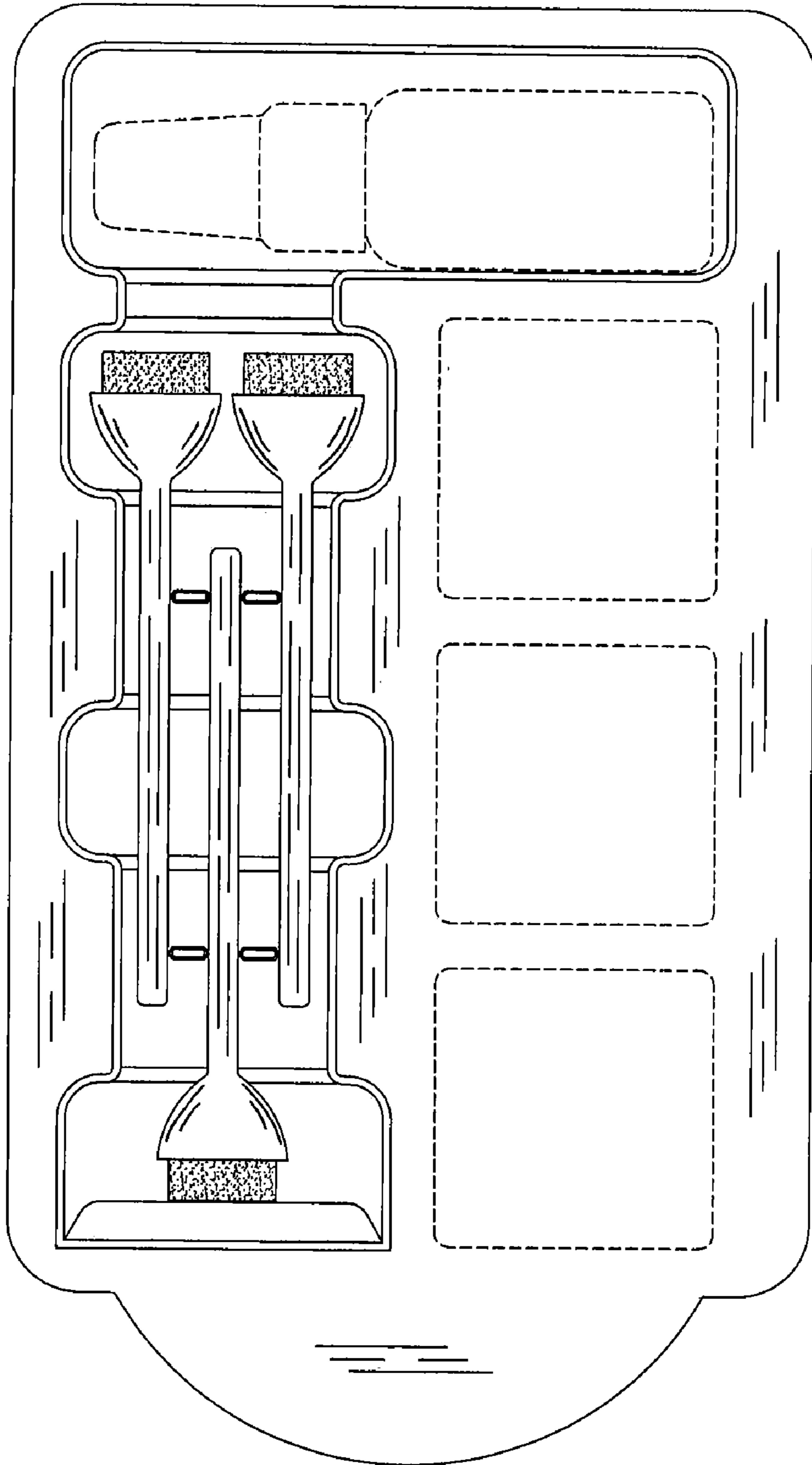


FIG. 2