



US00D565742S

(12) **United States Design Patent** (10) **Patent No.:** **US D565,742 S**
Parunak et al. (45) **Date of Patent:** **** Apr. 1, 2008**

(54) **MICROFLUIDIC CARTRIDGE**

OTHER PUBLICATIONS

(75) Inventors: **Gene Parunak**, Saline, MI (US);
Kalyan Handique, Ypsilanti, MI (US);
Aaron Kehrer, Ypsilanti, MI (US);
Sundaresh N. Brahasandra, Ann
Arbor, MI (US); **Jeff Williams**,
Chelsea, MI (US)

U.S. Appl. No. 60/645,784, filed Jan. 21, 2005, Handique et al.

* cited by examiner

Primary Examiner—Joel A. Sincavage

Assistant Examiner—Anhdao Doan

(74) *Attorney, Agent, or Firm*—Fish & Richardson P.C.

(73) Assignee: **Handylab, Inc.**, Ann Arbor, MI (US)

(57) **CLAIM**

(**) Term: **14 Years**

The ornamental design for a microfluidic cartridge, as shown and described.

(21) Appl. No.: **29/263,444**

(22) Filed: **Jul. 21, 2006**

Related U.S. Application Data

DESCRIPTION

(63) Continuation of application No. 29/257,030, filed on Mar. 27, 2006.

FIG. 1 is a front perspective view of a microfluidic cartridge showing a first embodiment of the new design;

(51) **LOC (8) Cl.** **24-01**

FIG. 2 is a top plan view of the first embodiment of the cartridge shown in FIG. 1;

(52) **U.S. Cl.** **D24/224**

FIG. 3 is a front elevation view of the first embodiment of the cartridge shown in FIG. 1;

(58) **Field of Classification Search** D24/216–230;
422/58, 61, 101, 102, 104; 435/287.2, 287.3
See application file for complete search history.

FIG. 4 is a rear elevation view of the first embodiment of the cartridge shown in FIG. 1;

(56) **References Cited**

FIG. 5 is a first side elevation view of the first embodiment of the cartridge shown in FIG. 1;

U.S. PATENT DOCUMENTS

FIG. 6 is a second side elevation view of the first embodiment of the cartridge shown in FIG. 1;

D254,687 S	4/1980	Fadler et al.	
4,301,412 A	11/1981	Hill et al.	
D302,294 S *	7/1989	Hillman	D24/223
D324,426 S *	3/1992	Fan et al.	D24/226
D328,135 S *	7/1992	Fan et al.	D24/223
D438,632 S *	3/2001	Miller	D24/224
D438,633 S *	3/2001	Miller	D24/224
D470,595 S	2/2003	Crisanti et al.	
D491,273 S *	6/2004	Biegler et al.	D24/216
D499,813 S *	12/2004	Wu	D24/223
2006/0166233 A1	7/2006	Wu	
2006/0183216 A1	8/2006	Handique	

FIG. 7 is a front perspective view of the second embodiment of the microfluidic cartridge of the new design; and,

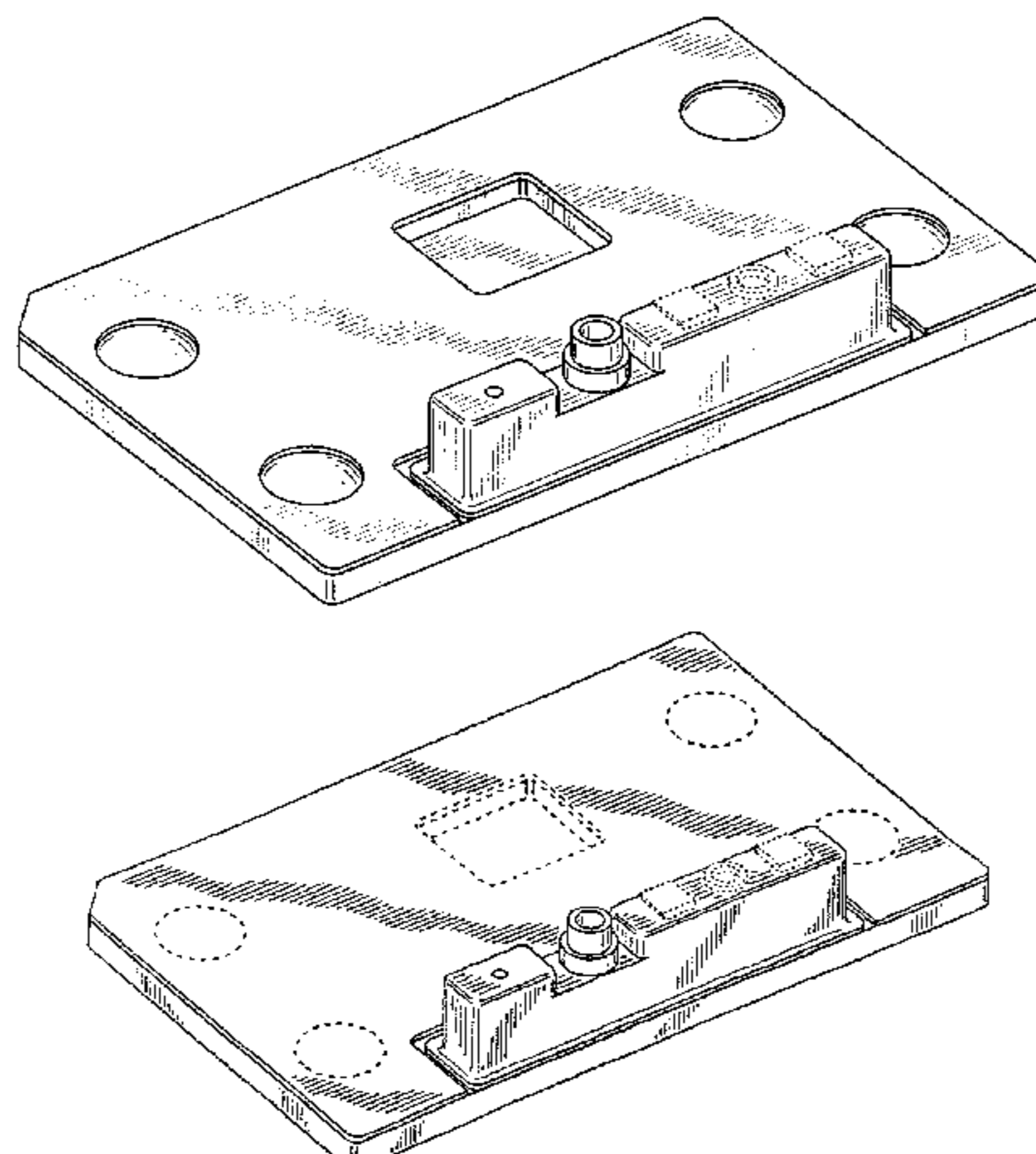
FIG. 8 is a top plan view thereof, the front elevation, rear elevation, first and second side elevation views being identical to the respective views of the first embodiment, as shown respectively in FIGS. 3, 4, 5 and 6 herein.

The broken lines shown in FIGS. 1–8 are for illustrative purposes only and form no part of the claimed design.

FOREIGN PATENT DOCUMENTS

WO WO 2005/108620 11/2005

1 Claim, 5 Drawing Sheets



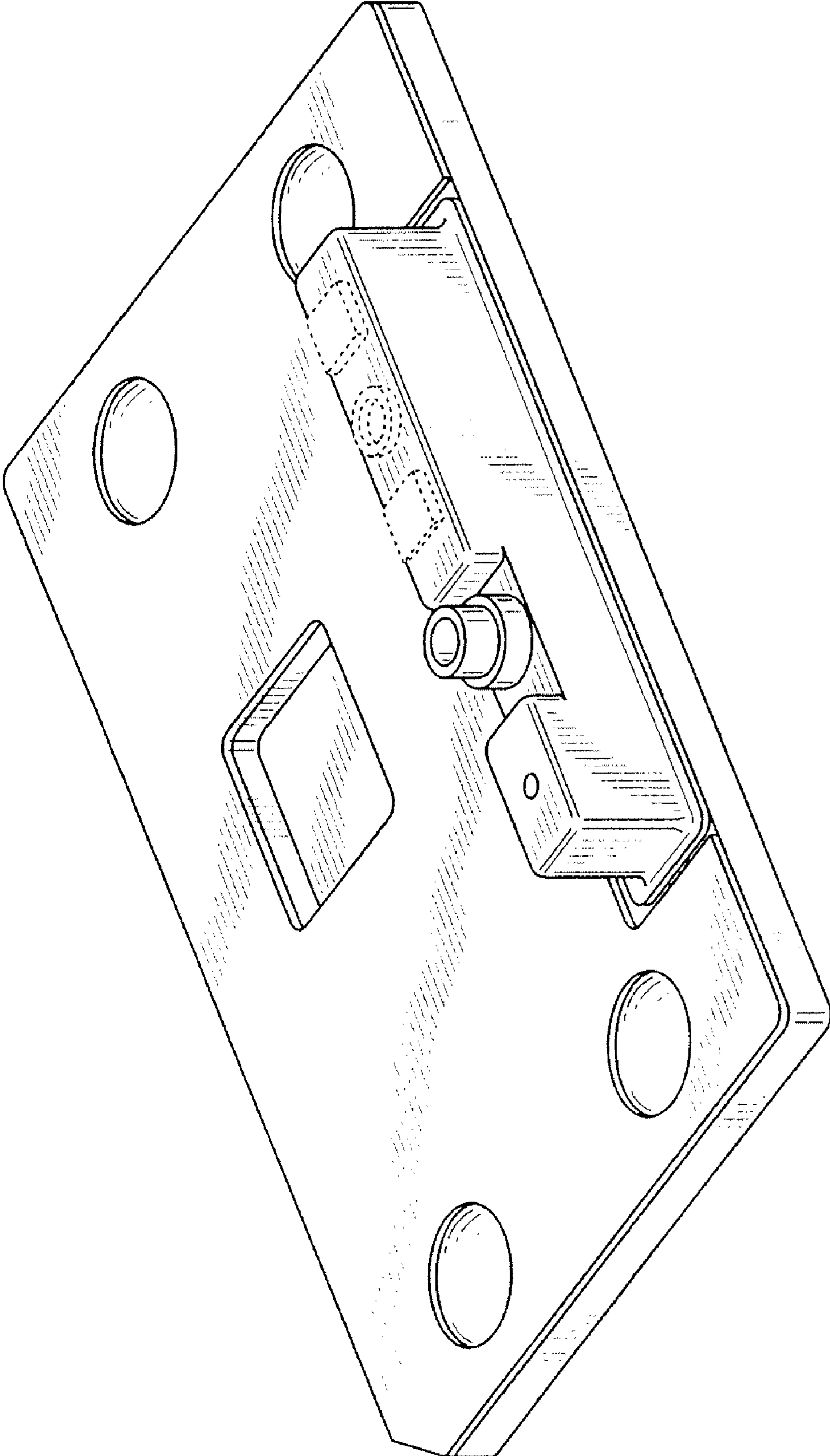


FIG. 1

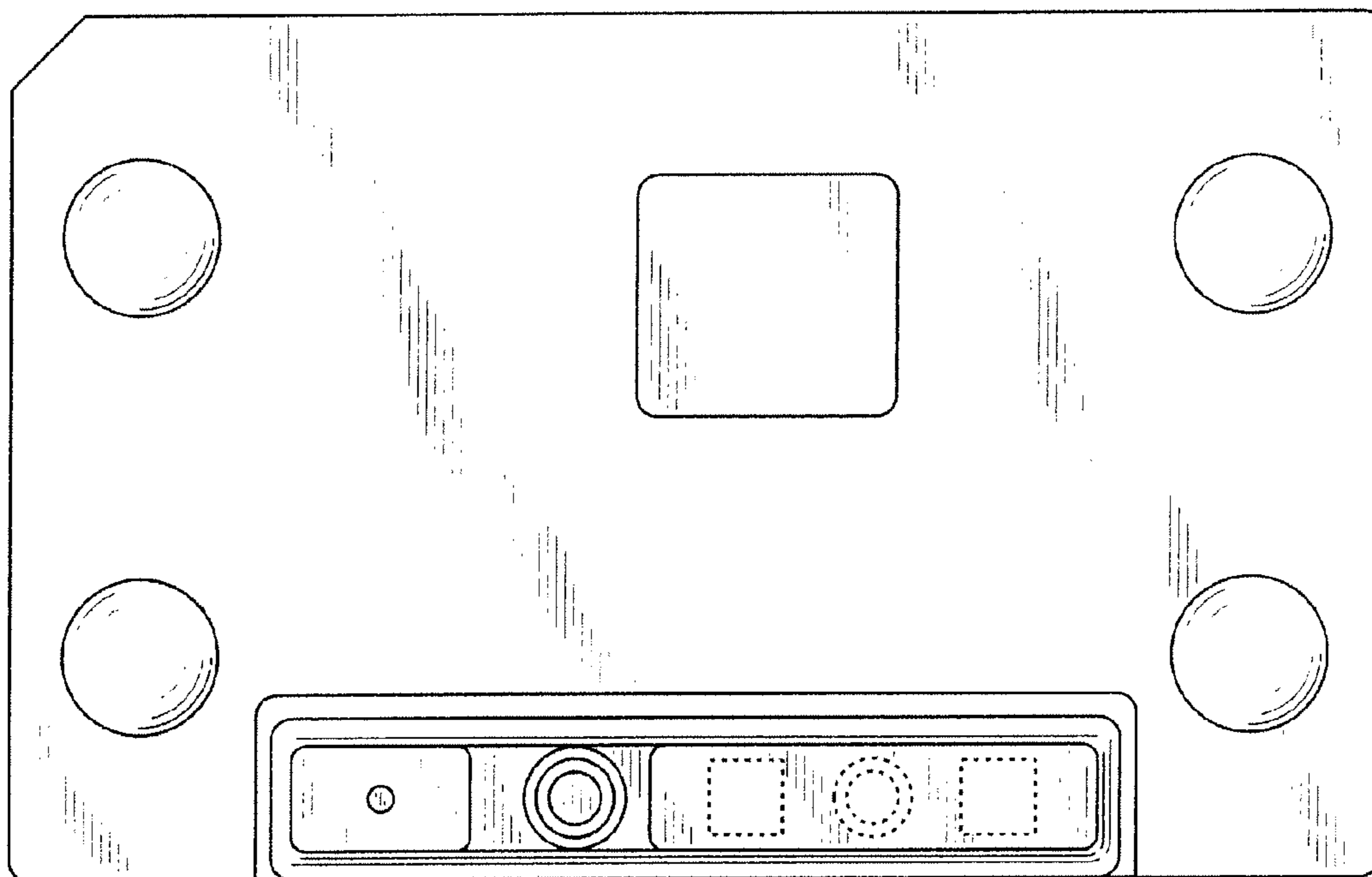


FIG. 2

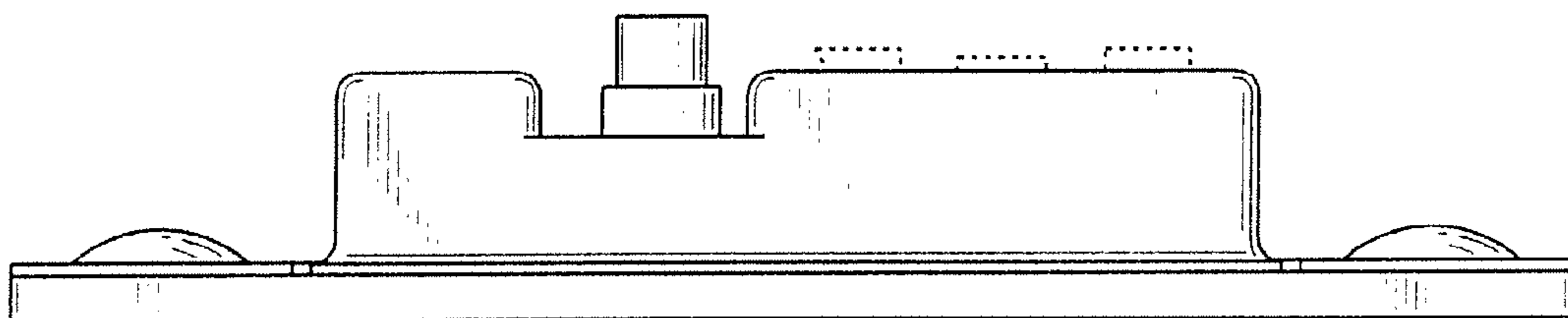


FIG. 3

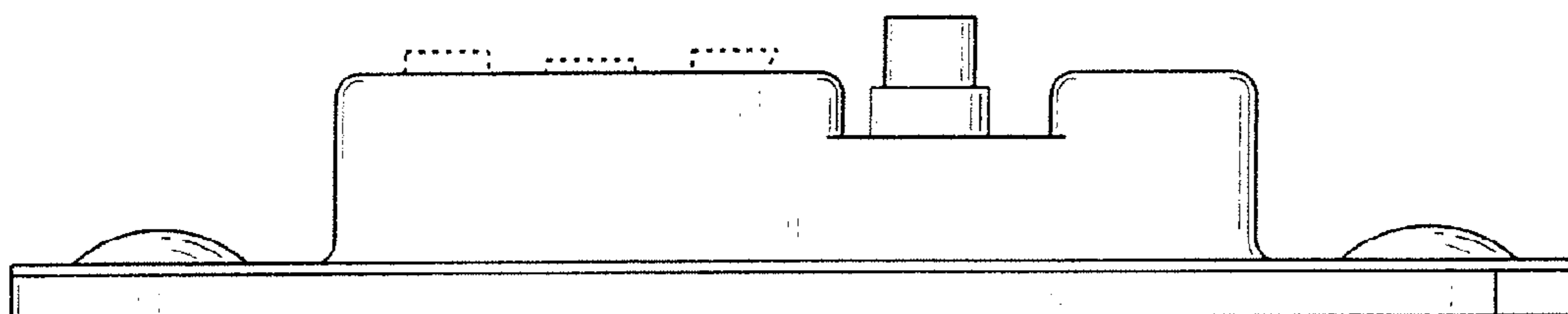


FIG. 4

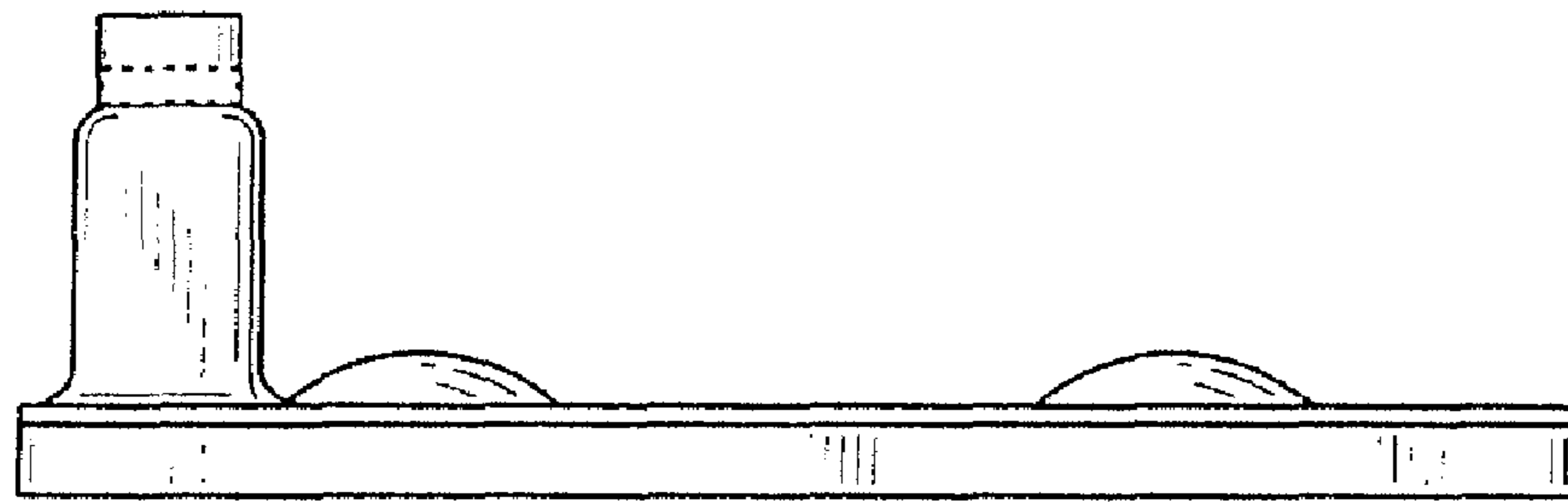


FIG. 5

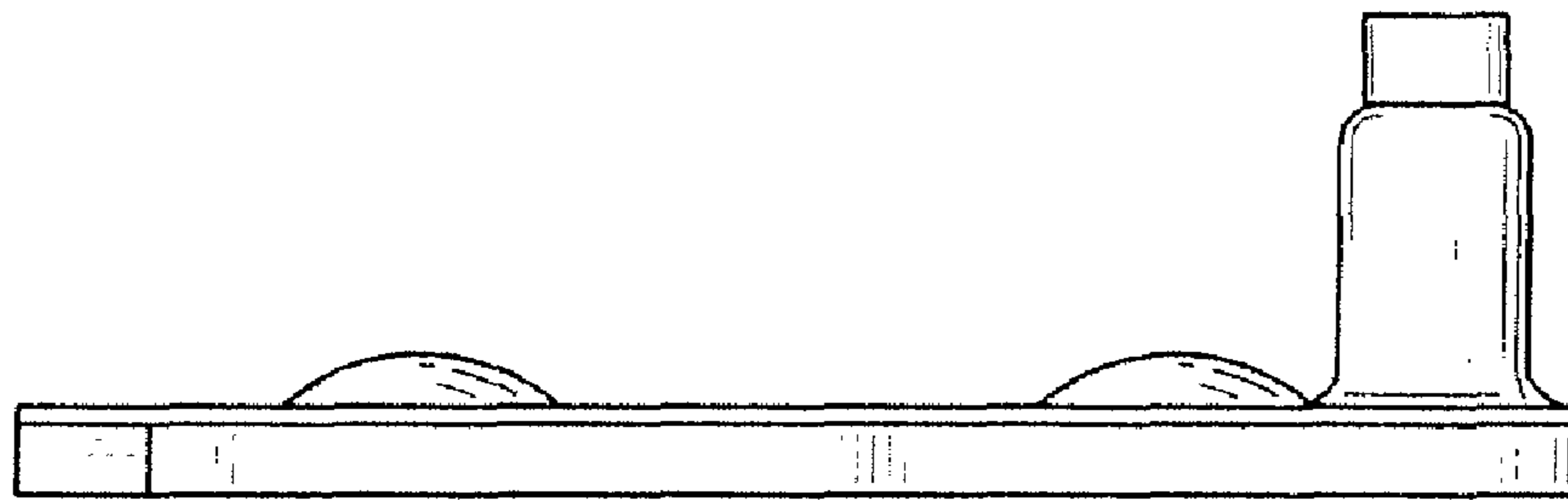


FIG. 6

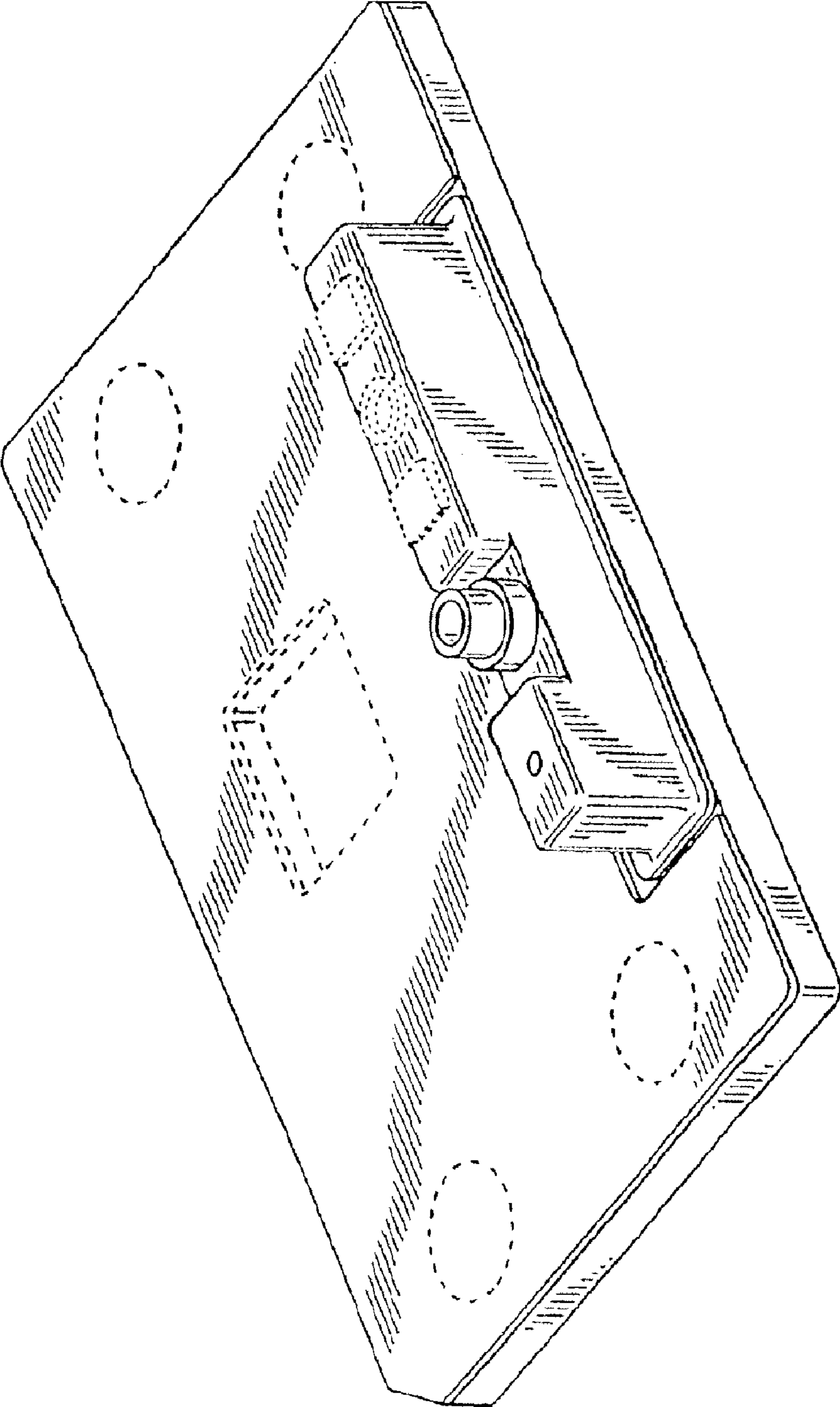


FIG. 7

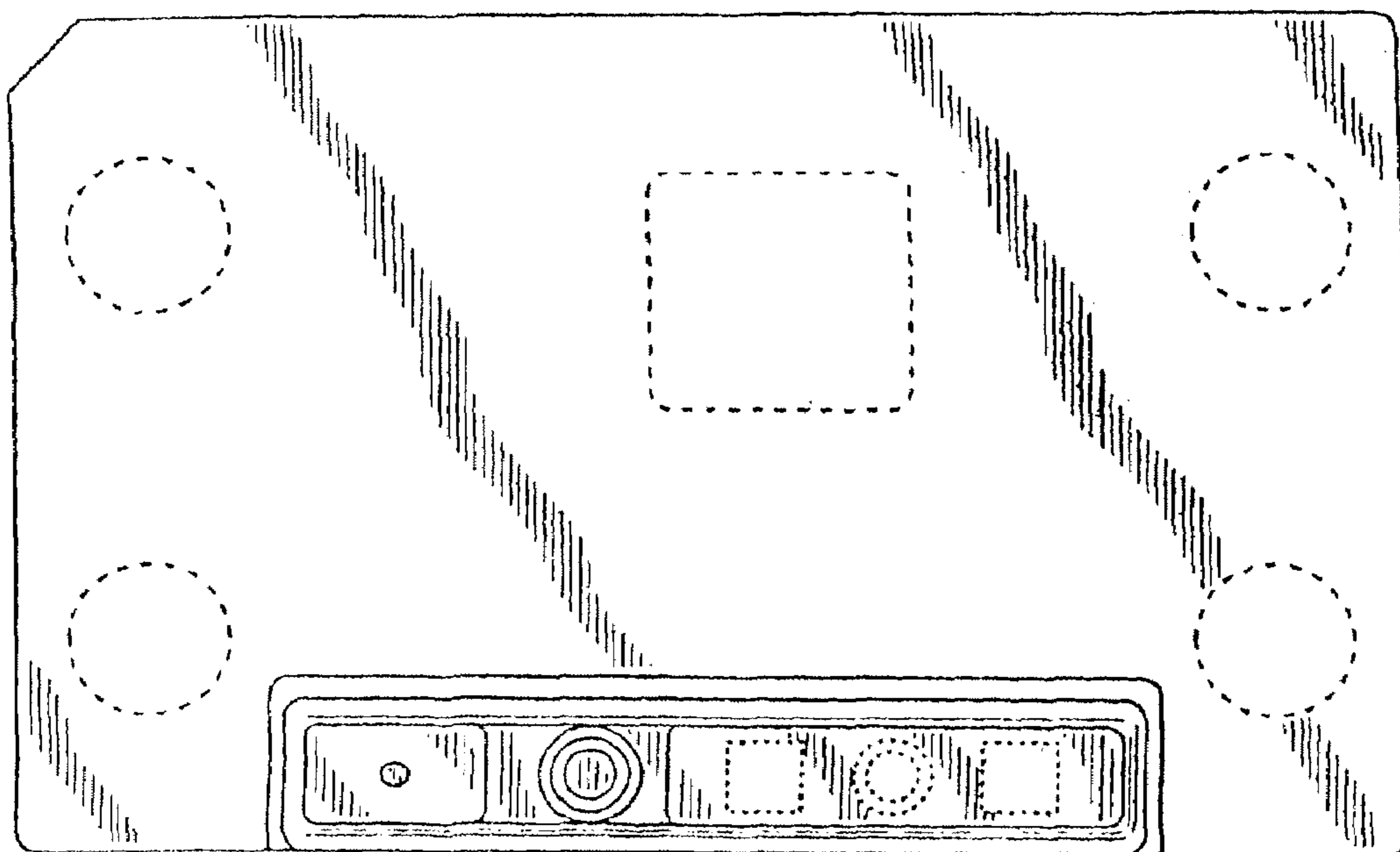


FIG. 8