



US00D565738S

(12) **United States Design Patent**
Rohrig

(10) **Patent No.:** **US D565,738 S**

(45) **Date of Patent:** **** Apr. 1, 2008**

(54) **PACIFIER**

(75) Inventor: **Peter Rohrig**, Vienna (AT)

(73) Assignee: **MAM Babyartikel Gesellschaft m.b.H.**, Vienna (AT)

(**) Term: **14 Years**

(21) Appl. No.: **29/271,274**

(22) Filed: **Jan. 12, 2007**

(30) **Foreign Application Priority Data**

Jul. 13, 2006 (AT) A1193/2006

(51) **LOC (8) Cl.** **24-04**

(52) **U.S. Cl.** **D24/194**

(58) **Field of Classification Search** D24/193-199;
606/234-236.2; 24/301; 215/11.1-11.6;
248/102-107; 128/359-360; D9/436
See application file for complete search history.

(56) **References Cited**

U.S. PATENT DOCUMENTS

D31,232 S *	7/1899	Pearl	D24/196
2,115,405 A *	4/1938	Allen	606/235
D136,206 S *	8/1943	Allen	D24/194
D160,140 S *	9/1950	Binney	D24/195
D338,732 S *	8/1993	Maradey-Collazo	D24/194
5,647,302 A *	7/1997	Shipp	119/709
5,662,685 A *	9/1997	Uhler	606/234

5,711,759 A *	1/1998	Smith et al.	601/139
6,048,283 A *	4/2000	Albarelli, Jr.	473/567
D450,126 S *	11/2001	Fitzpatrick et al.	D24/194
6,699,264 B1 *	3/2004	Rohrig	606/234
2004/0044367 A1 *	3/2004	Yancy	606/234
2007/0208380 A1 *	9/2007	Ebner	606/235

* cited by examiner

Primary Examiner—Robert M. Spear

Assistant Examiner—Susan E Krakower

(74) *Attorney, Agent, or Firm*—Ladas and Parry LLP

(57) **CLAIM**

I claim the ornamental design for a pacifier, as shown and described.

DESCRIPTION

FIG. 1 is a top plan view of a pacifier showing my new design;

FIG. 2 is a top perspective view thereof;

FIG. 3 is a front elevational view, the back elevational view being a mirror image thereof;

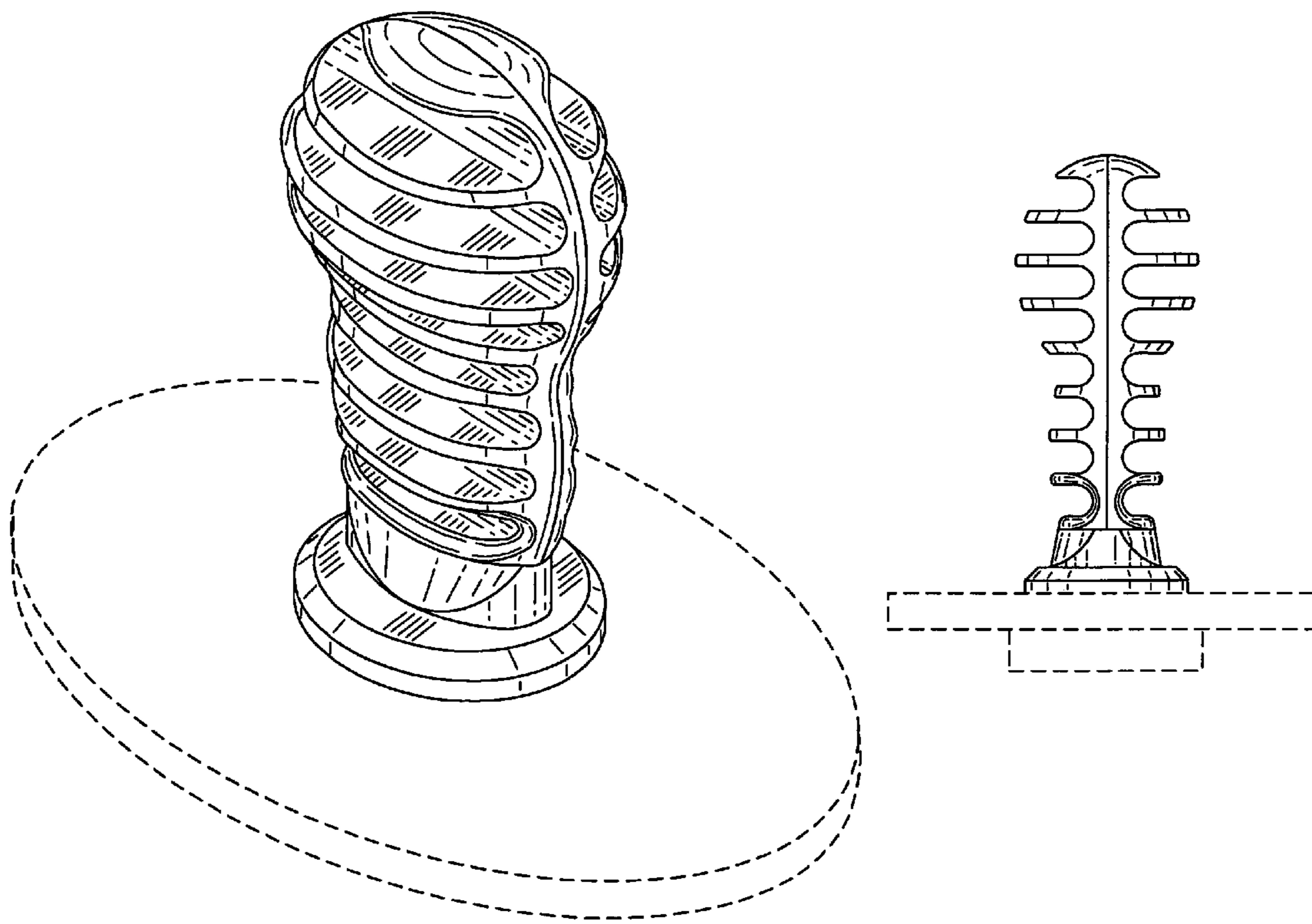
FIG. 4 is a left side elevational view, the right side elevational view being a mirror image thereof;

FIG. 5 is a bottom perspective view thereof; and,

FIG. 6 is a bottom plan view thereof.

The broken line showing of a shield, illustrates unclaimed environmental structure.

1 Claim, 3 Drawing Sheets



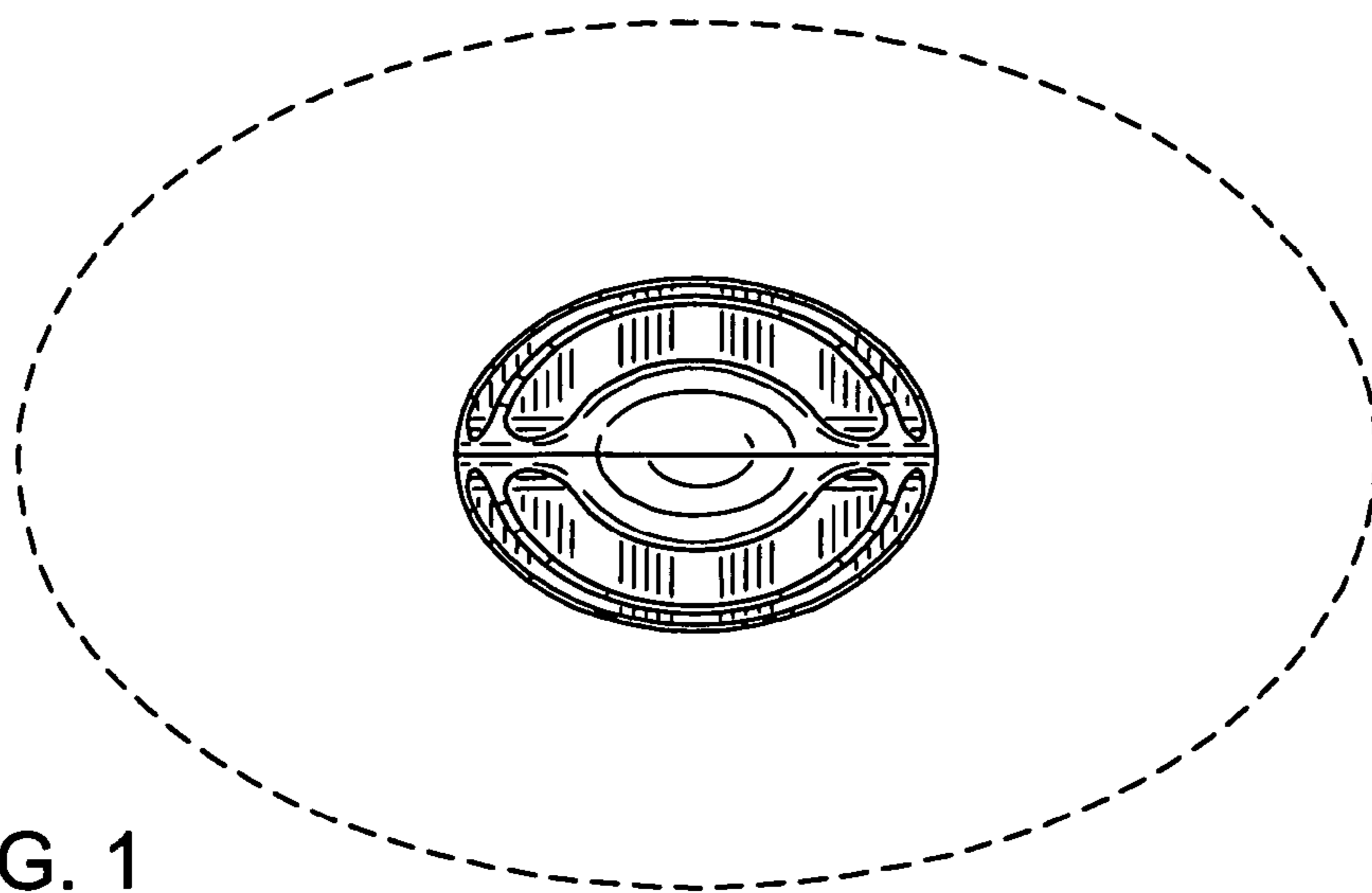


FIG. 1

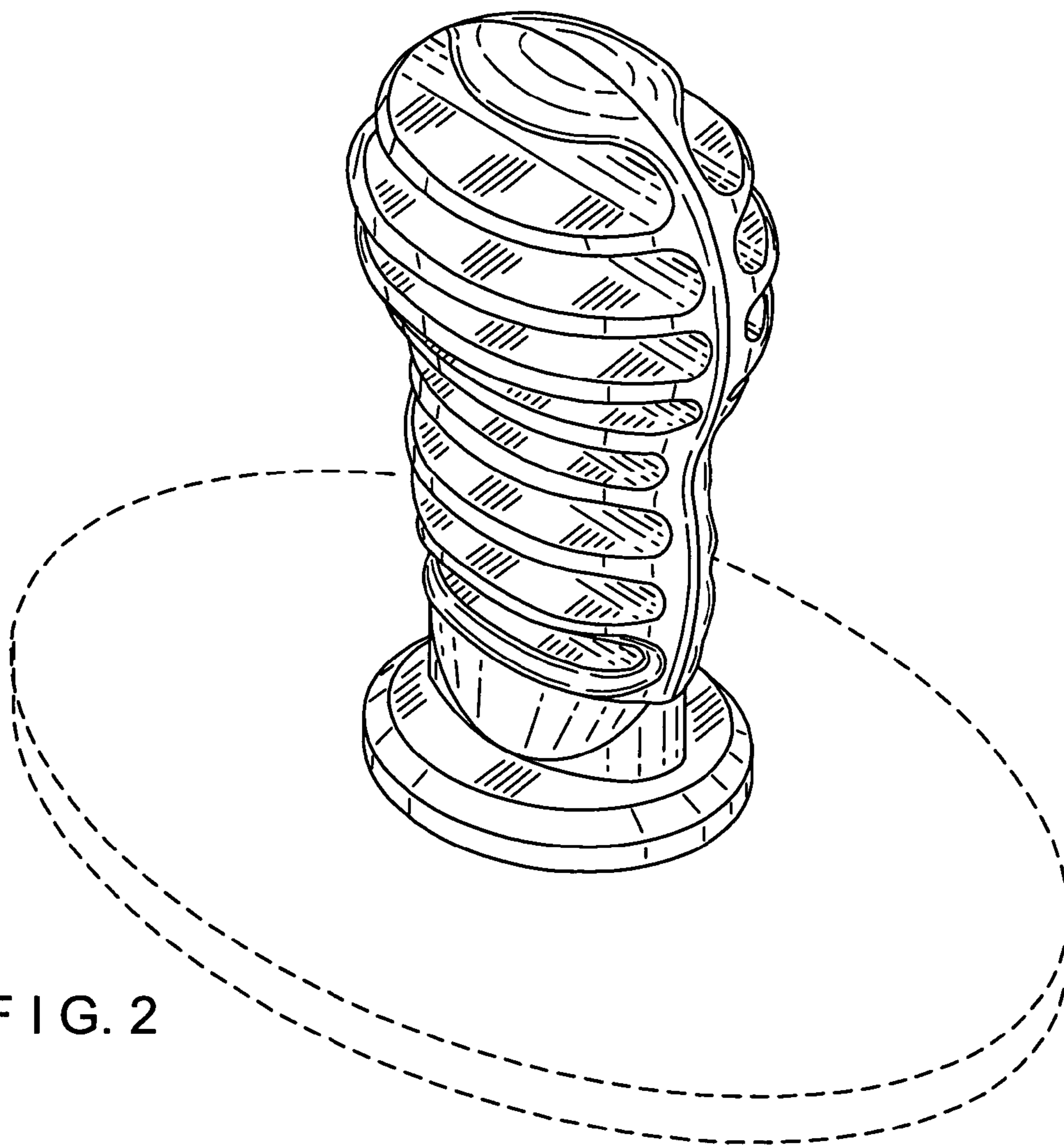


FIG. 2

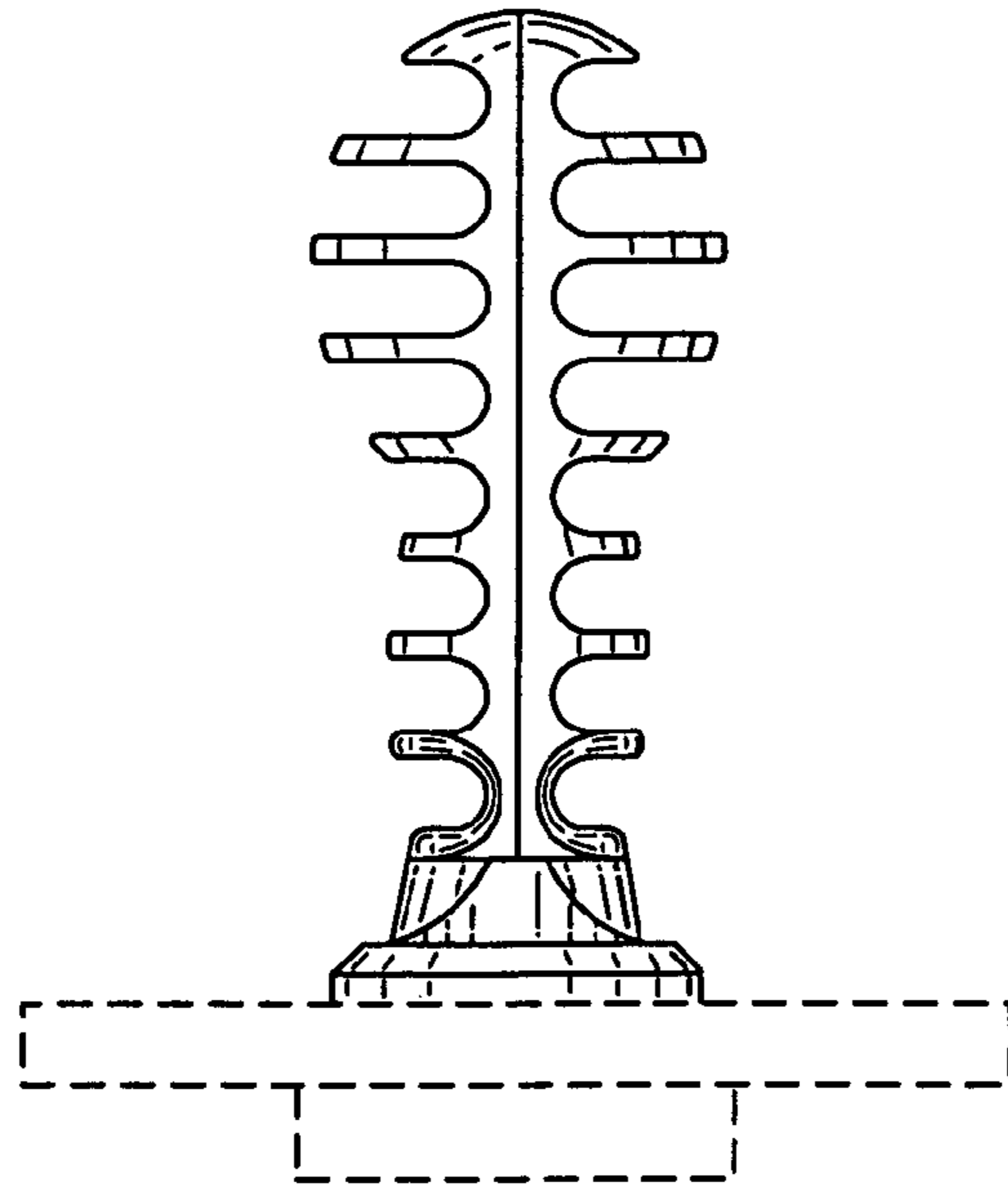


FIG. 3

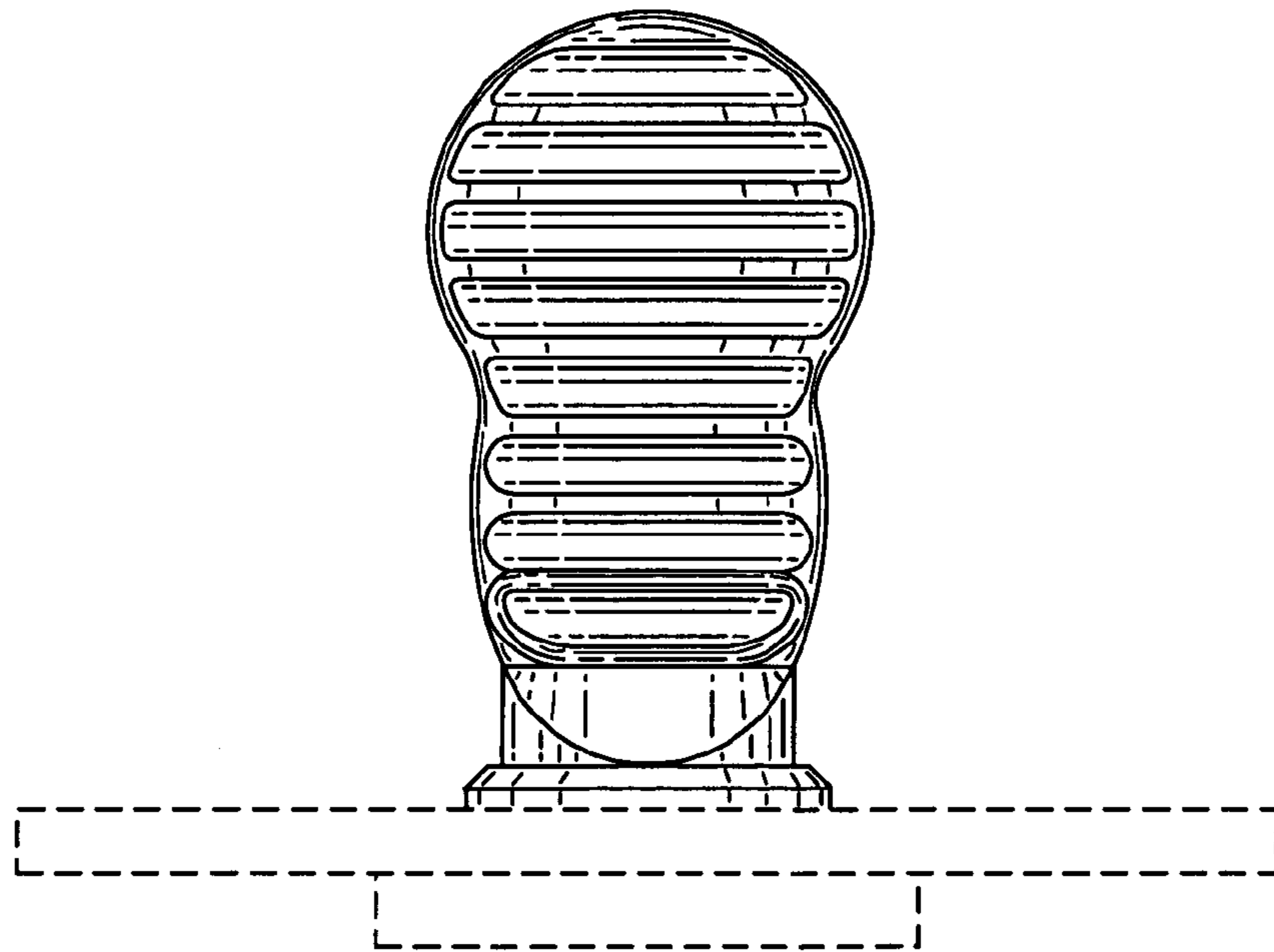


FIG. 4

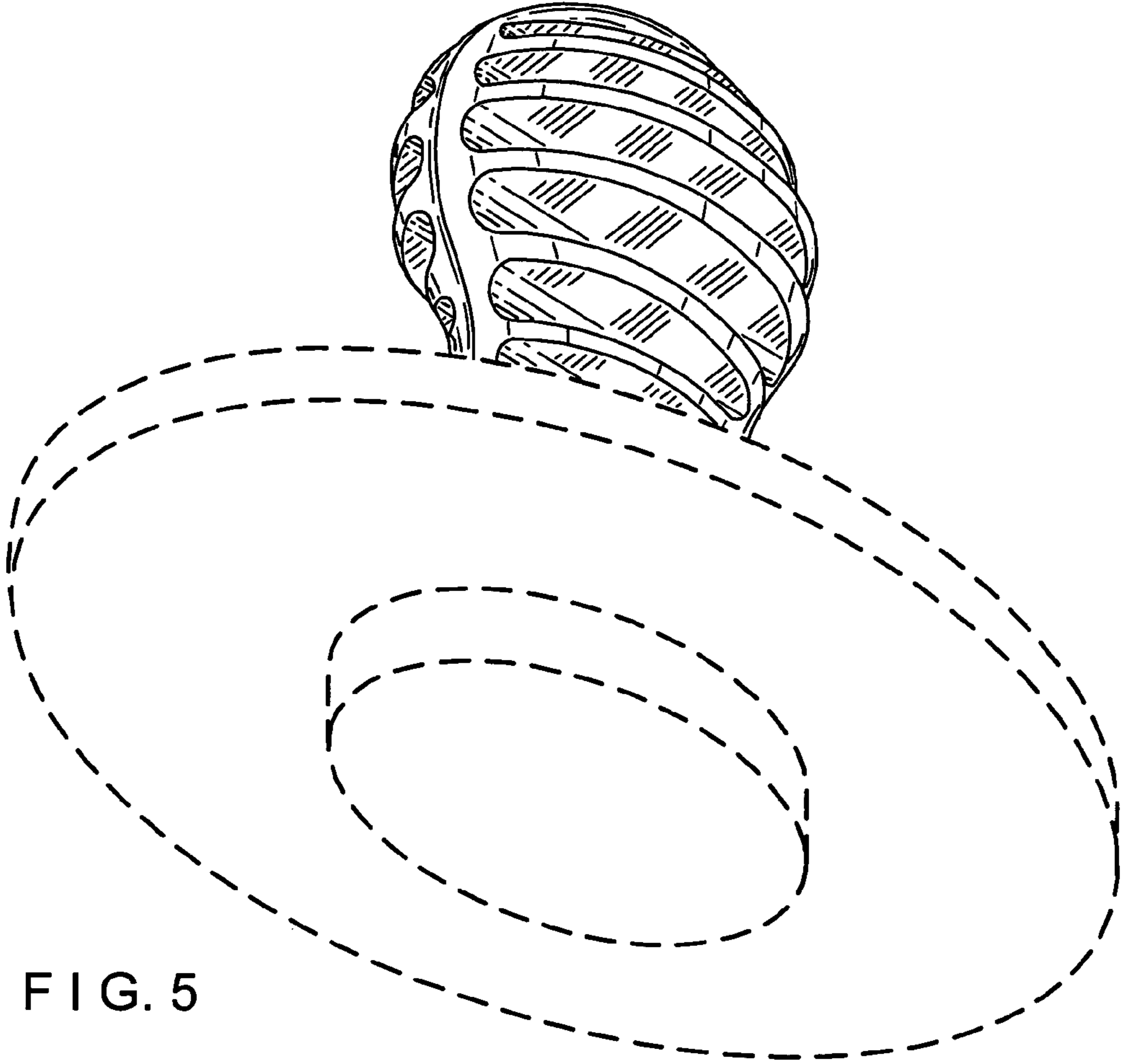


FIG. 5

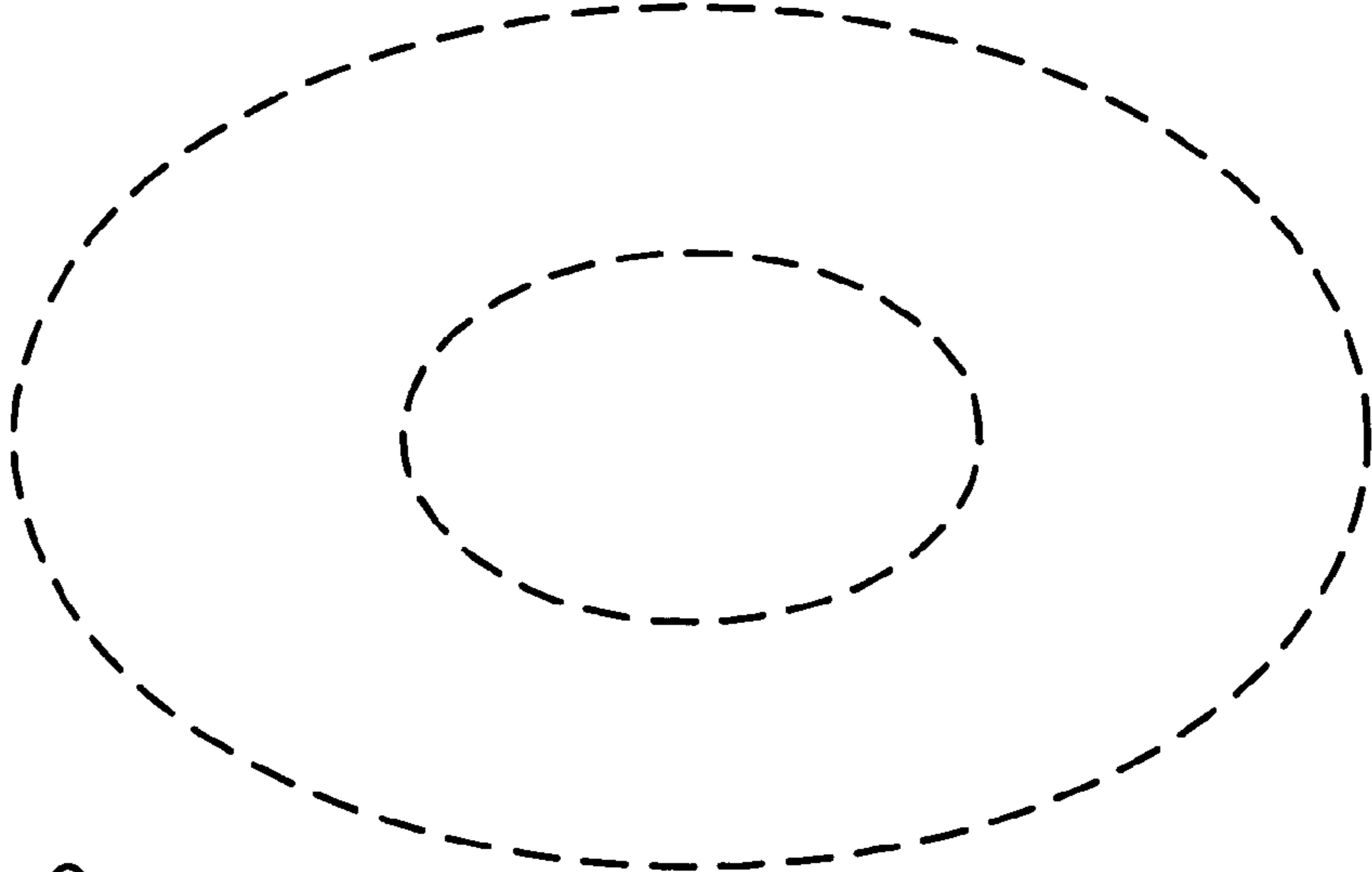


FIG. 6