

US00D565734S

(12) **United States Design Patent**
Scott

(10) **Patent No.:** **US D565,734 S**
(45) **Date of Patent:** **** Apr. 1, 2008**

(54) **FEMUR TRACTION LEG SUPPORT APPARATUS**

(76) Inventor: **James W. Scott**, 1610 John Orr Dr.,
Bldg. A, Tifton, GA (US) 31794

(**) Term: **14 Years**

(21) Appl. No.: **29/285,810**

(22) Filed: **Apr. 11, 2007**

(51) **LOC (8) Cl.** **24-02**

(52) **U.S. Cl.** **D24/183**

(58) **Field of Classification Search** D24/183-184,
D24/188, 191, 231-232; D6/361, 367, 601;
5/632, 648; 601/34; 602/16, 23, 33, 36,
602/38, 40; 606/241

See application file for complete search history.

(56) **References Cited**

U.S. PATENT DOCUMENTS

439,255 A	10/1890	Ruebsam	
2,511,659 A	6/1950	Wilson	
3,661,150 A	5/1972	Peterssen et al.	
3,717,144 A *	2/1973	Bimler	602/16
D229,359 S *	11/1973	Nightingale	D24/188
4,566,440 A *	1/1986	Berner et al.	601/34
4,602,619 A *	7/1986	Wolf et al.	606/241
4,627,423 A	12/1986	Kampner	
4,664,099 A	5/1987	Pearl, Jr.	
4,664,101 A *	5/1987	Granberg	602/33

4,998,722 A	3/1991	Scott	
5,097,553 A *	3/1992	Boland	5/648
D341,726 S *	11/1993	Stevens	D6/367
5,306,231 A	4/1994	Cullum et al.	
D367,118 S *	2/1996	Miller et al.	D24/188
D521,301 S *	5/2006	Dickson	D6/601
2007/0287946 A1 *	12/2007	Kendrick	602/36

* cited by examiner

Primary Examiner—Robert A. Delehanty

Assistant Examiner—Mark Cavanna

(74) *Attorney, Agent, or Firm*—Langdale Vallotton, LLP;
John P. Sinnott

(57) **CLAIM**

The ornamental design for femur traction leg support apparatus, as shown and described.

DESCRIPTION

FIG. 1 is a side view of a femur traction leg support apparatus with the opposite side being a mirror image thereof showing my new design;

FIG. 2 is a top view thereof;

FIG. 3 is a bottom view thereof;

FIG. 4 is a front view thereof;

FIG. 5 is a back view thereof; and,

FIG. 6 is a perspective view thereof.

1 Claim, 5 Drawing Sheets

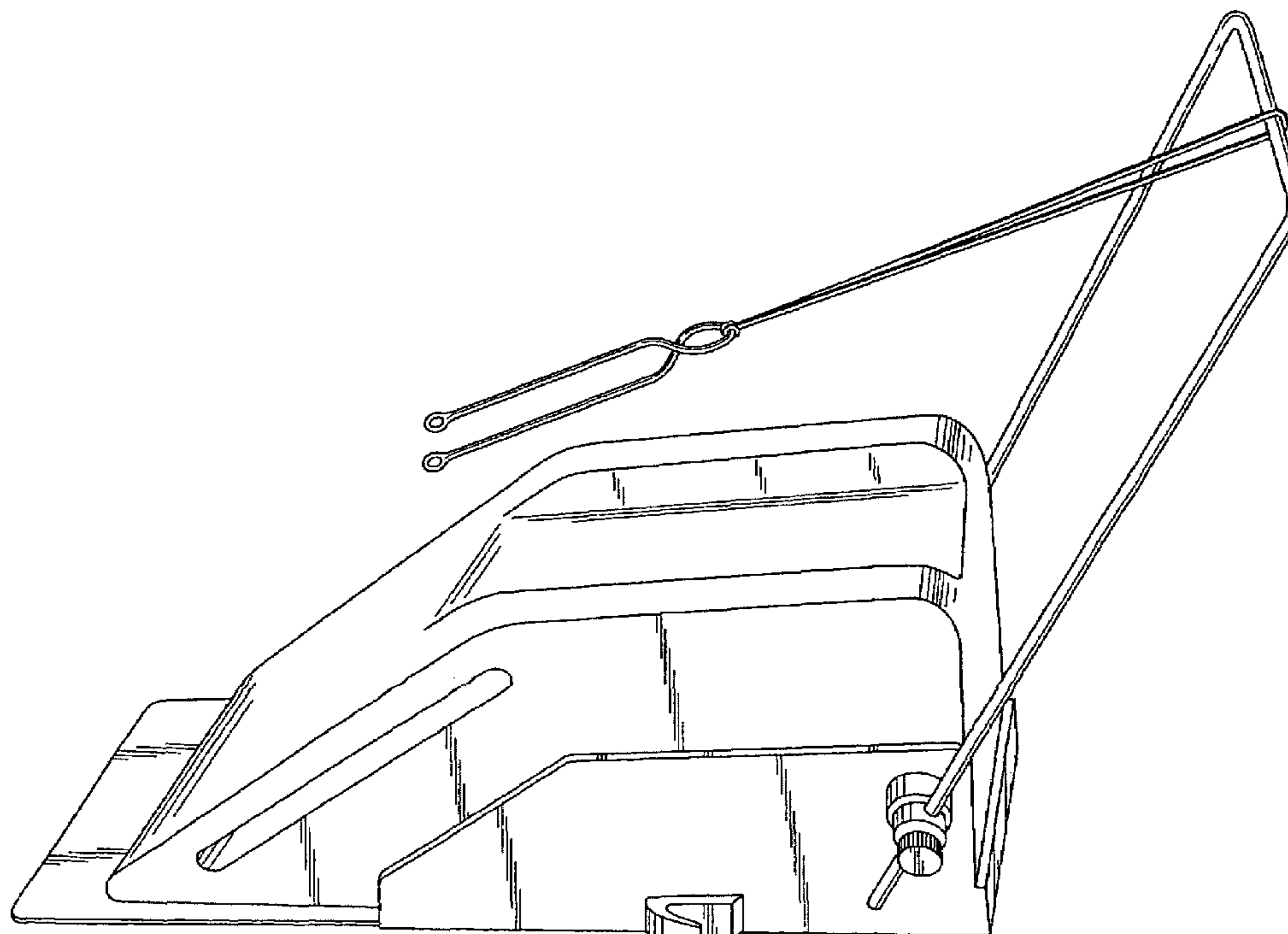


FIG. 1

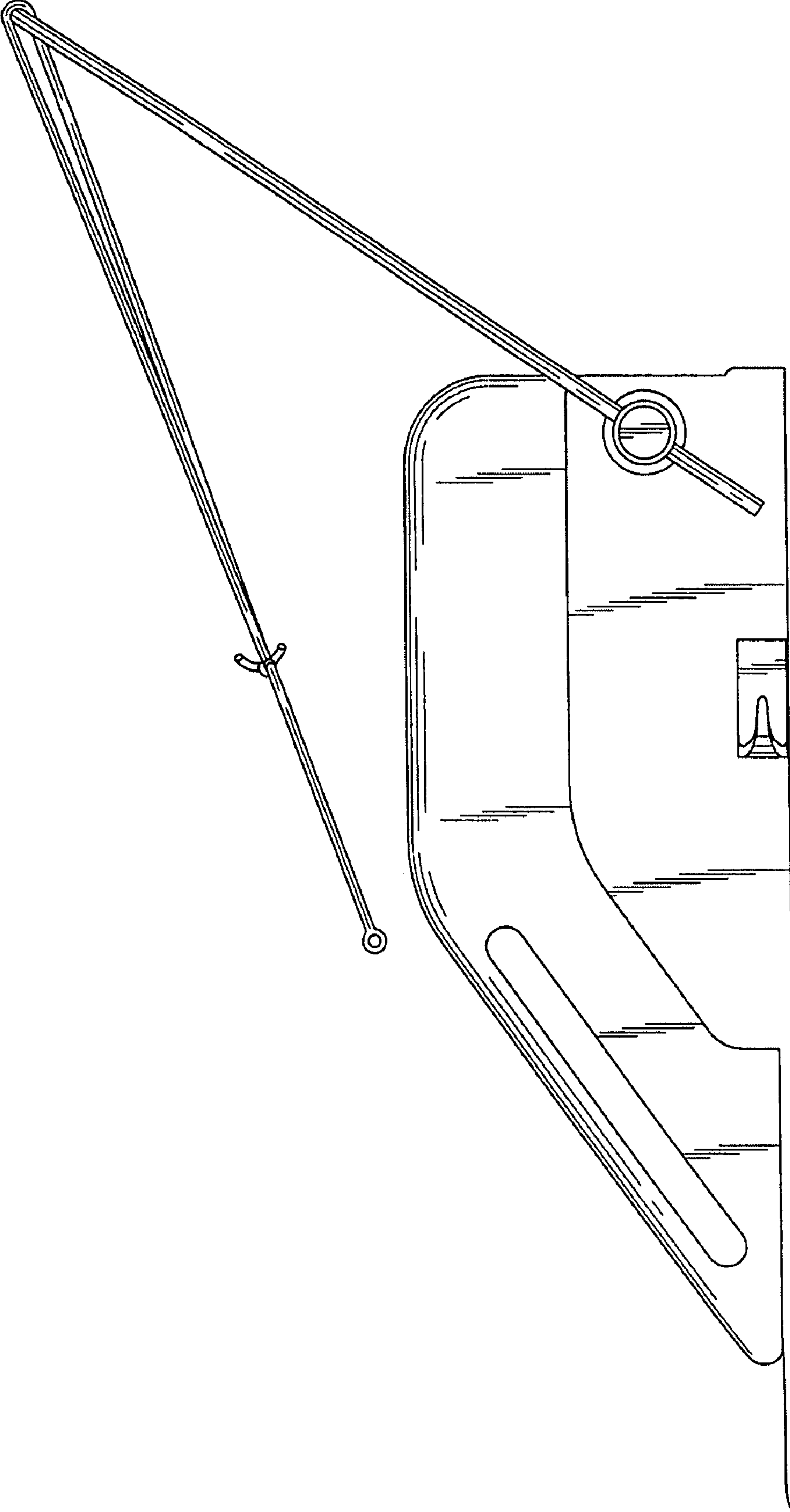


FIG. 2

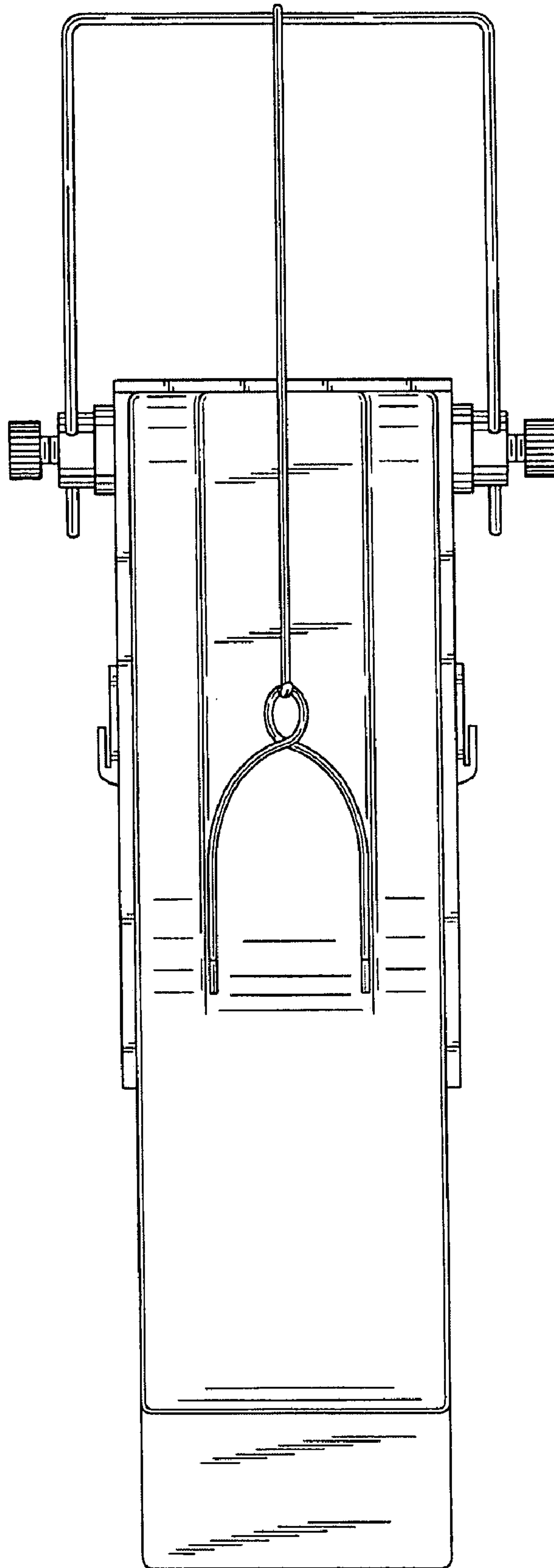


FIG. 3

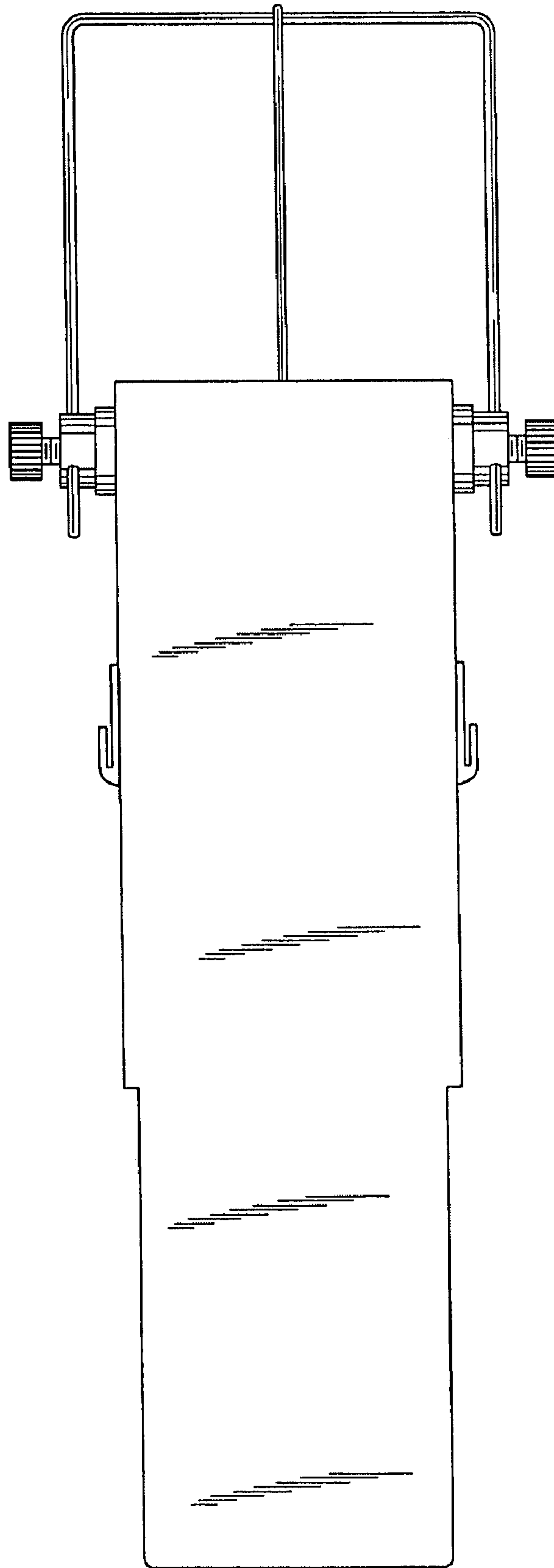


FIG. 5

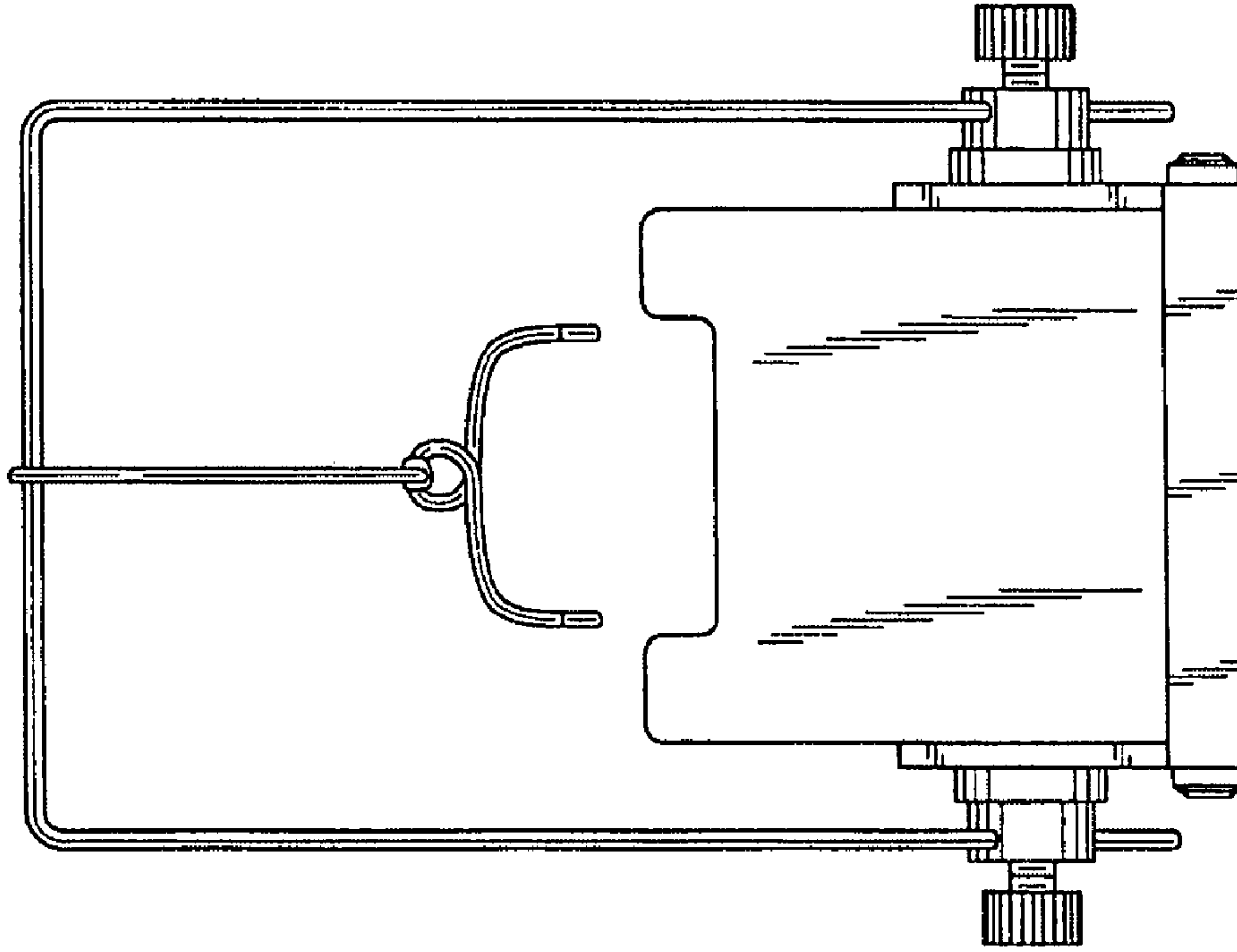


FIG. 4

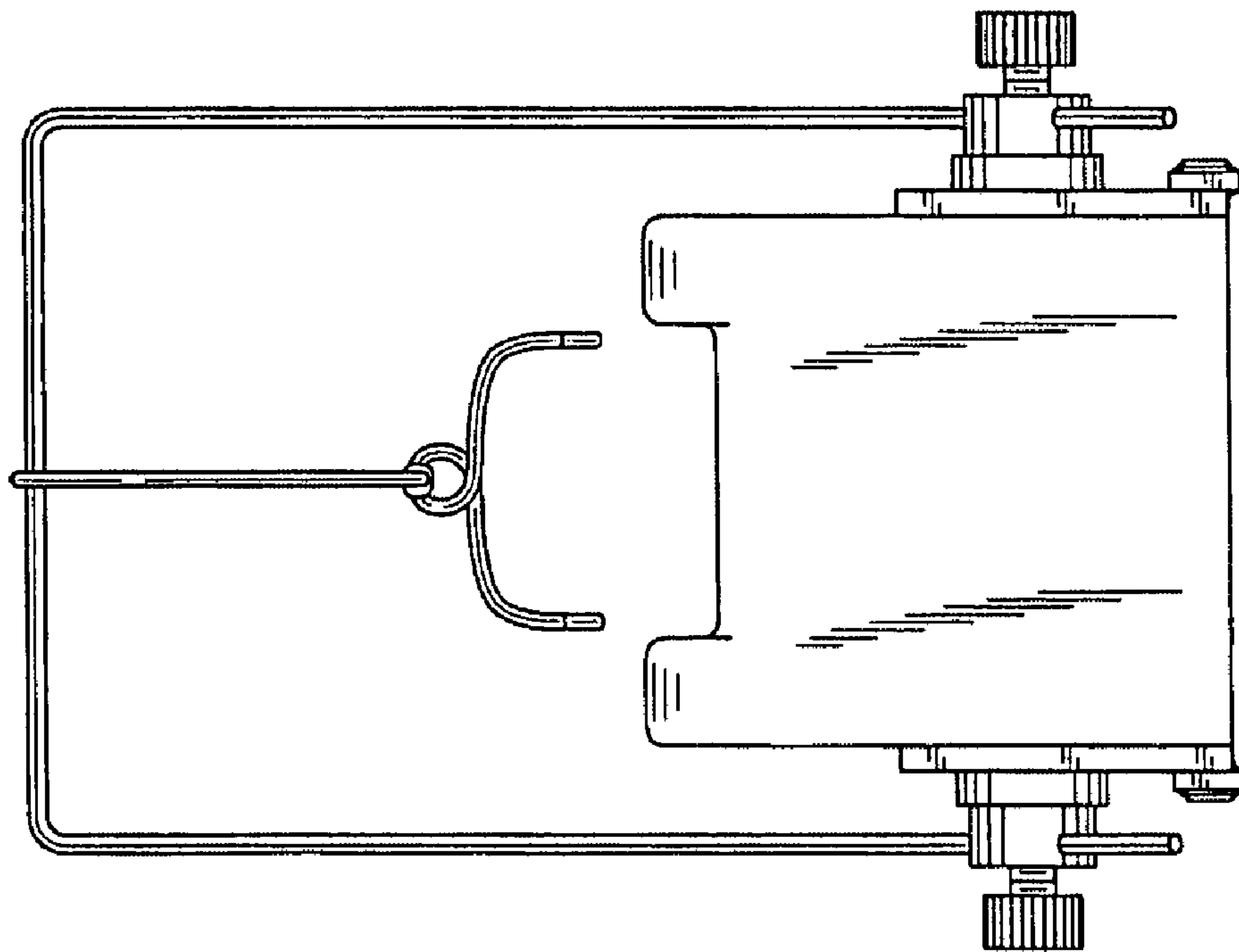


FIG. 6

