



US00D565732S

(12) **United States Design Patent**
Pech et al.

(10) **Patent No.:** **US D565,732 S**

(45) **Date of Patent:** **** Apr. 1, 2008**

(54) **NEEDLE SHIELD**

(75) Inventors: **Bernhard Pech**, Niedernhausen (DE);
Bernd Becker, Aachen (DE); **Dirk Zölcher**, Kreuzau (DE); **Hubert Jansen**, Stolberg (DE)

(73) Assignee: **West Pharmaceutical Services, Inc.**,
Lionville, PA (US)

(**) Term: **14 Years**

(21) Appl. No.: **29/279,199**

(22) Filed: **Apr. 23, 2007**

(51) **LOC (8) Cl.** **24-02**

(52) **U.S. Cl.** **D24/130**

(58) **Field of Classification Search** D24/112–114,
D24/130; 604/6.12, 93, 164–165, 166–167,
604/110, 187–189, 192–194, 198, 208, 218,
604/223, 232, 240–241, 243, 263–264

See application file for complete search history.

(56) **References Cited**

U.S. PATENT DOCUMENTS

3,434,473	A	3/1969	Smith	
3,865,236	A *	2/1975	Rycroft	206/364
4,248,246	A	2/1981	Ikeda	
4,300,678	A	11/1981	Gyure et al.	
4,430,082	A	2/1984	Schwabacher	

(Continued)

FOREIGN PATENT DOCUMENTS

EP 0876824 A2 11/1998

(Continued)

OTHER PUBLICATIONS

Several photographs of Stelmi Trading International needle protect-
ing device.

Primary Examiner—Ian Simmons

Assistant Examiner—Eric L Goodman

(74) *Attorney, Agent, or Firm*—Panitch Schwarze Belisario
& Nadel LLP

(57) **CLAIM**

The ornamental design for a needle shield, as shown and
described.

DESCRIPTION

FIG. 1 is a top perspective view of a first preferred embodi-
ment of a needle shield in accordance with my new design;

FIG. 2 is a front elevational view thereof, a rear elevational
view thereof being identical;

FIG. 3 is a right-side elevational view thereof, a left-side
elevational view thereof being identical;

FIG. 4 is a bottom plan view thereof;

FIG. 5 is a top plan view thereof;

FIG. 6 is a top perspective view of a second preferred
embodiment of a needle shield in accordance with my new
design;

FIG. 7 is a front elevational view thereof, a rear elevational
view thereof being identical;

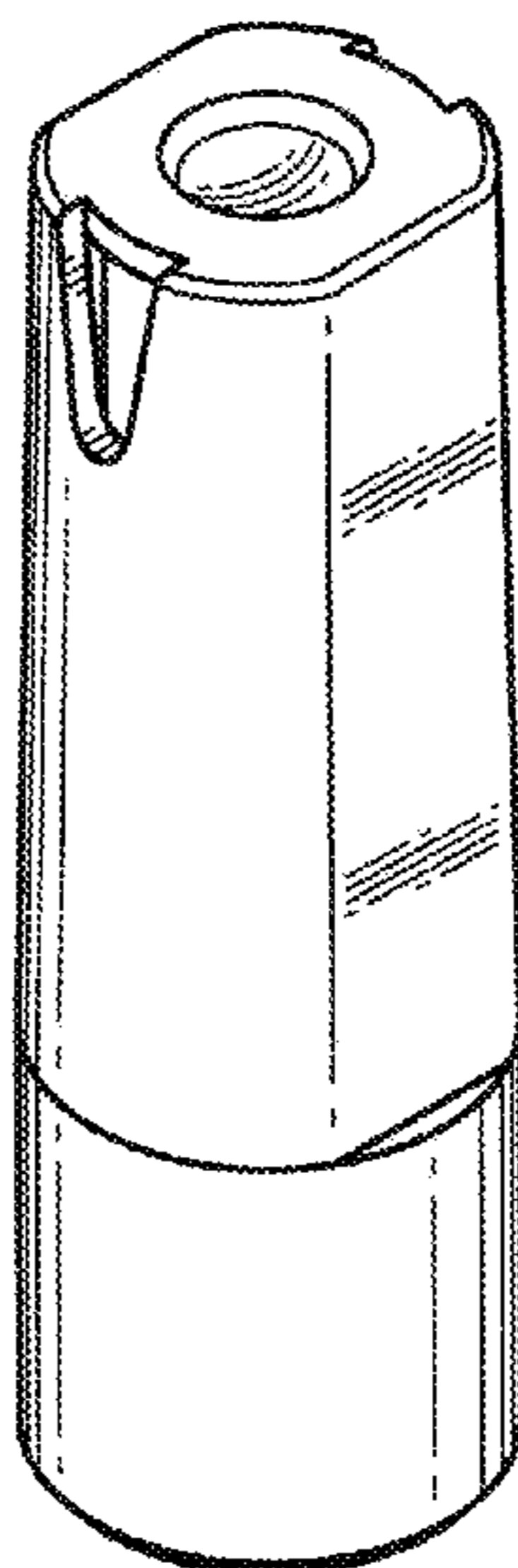
FIG. 8 is a right-side elevational view thereof, a left-side
elevational view thereof being identical;

FIG. 9 is a bottom plan view thereof; and,

FIG. 10 is a top plan view thereof.

The broken line showing in FIGS. 2, 3, and 4 is included for
the purpose of illustrating portions of the article and forms
no part of the claimed design.

1 Claim, 4 Drawing Sheets



US D565,732 S

Page 2

U.S. PATENT DOCUMENTS

4,636,201	A	1/1987	Ambrose et al.	
4,735,311	A	4/1988	Lowe	
4,747,837	A	5/1988	Hauck	
4,964,866	A	10/1990	Szwarc	
4,986,818	A	1/1991	Imbert et al.	
D320,277	S *	9/1991	Gyure et al.	D24/130
D322,671	S *	12/1991	Szwarc	D24/130
5,085,647	A	2/1992	Henderson et al.	
5,098,400	A	3/1992	Crouse et al.	
5,147,325	A	9/1992	Mitchell et al.	
D332,308	S	1/1993	Imbert et al.	
D332,490	S *	1/1993	Brown et al.	D24/130
5,232,455	A	8/1993	Hollister	
5,322,515	A	6/1994	Karas et al.	
5,336,197	A	8/1994	Kuracina	
5,342,320	A	8/1994	Cameron	
5,832,971	A	11/1998	Yale et al.	
5,941,857	A *	8/1999	Nguyen et al.	604/263
5,980,493	A	11/1999	Smith et al.	
5,980,495	A	11/1999	Heniz et al.	
5,989,229	A	11/1999	Chiappetta	
6,004,296	A *	12/1999	Jansen et al.	604/198
6,186,980	B1	2/2001	Brunel	
6,193,696	B1	2/2001	Jansen et al.	
D460,178	S	7/2002	Courteix	
D461,557	S	8/2002	Courteix	
D465,846	S *	11/2002	Hwang	D24/130
6,485,474	B1	11/2002	Heinz et al.	
D469,178	S	1/2003	Courteix	
6,551,286	B1	4/2003	Claessens	

6,595,954	B1	7/2003	Luther et al.	
6,629,963	B2	10/2003	Prais et al.	
6,648,855	B2 *	11/2003	Crawford et al.	604/110
6,719,732	B2	4/2004	Courteix	
6,832,992	B2 *	12/2004	Wilkinson	604/110
6,855,129	B2 *	2/2005	Jensen et al.	604/110
6,984,223	B2	1/2006	Newby et al.	
7,001,363	B2 *	2/2006	Ferguson et al.	604/198
7,036,288	B2	5/2006	Vetter et al.	
7,094,223	B2	8/2006	Brunel	
7,198,618	B2 *	4/2007	Ferguson et al.	604/198
2001/0004685	A1 *	6/2001	Jansen et al.	604/198
2002/0062108	A1	5/2002	Courteix	
2003/0181859	A1	9/2003	Brunel	
2003/0208165	A1	11/2003	Christensen	
2003/0229315	A1 *	12/2003	Leong et al.	604/263
2004/0186440	A1	9/2004	Jensen et al.	
2005/0038391	A1	2/2005	Wittland et al.	
2005/0096596	A1	5/2005	Crawford et al.	
2005/0137528	A1 *	6/2005	Wilkinson	604/110
2006/0184114	A1	8/2006	Tai	
2006/0189933	A1 *	8/2006	Alheidt et al.	604/110
2007/0016141	A1 *	1/2007	Salto et al.	604/198

FOREIGN PATENT DOCUMENTS

EP	1099450	B1	5/2001
EP	1208861	B1	5/2002
EP	1502616	A1	2/2005
FR	7045698		7/1972
FR	2777787		10/1999

* cited by examiner

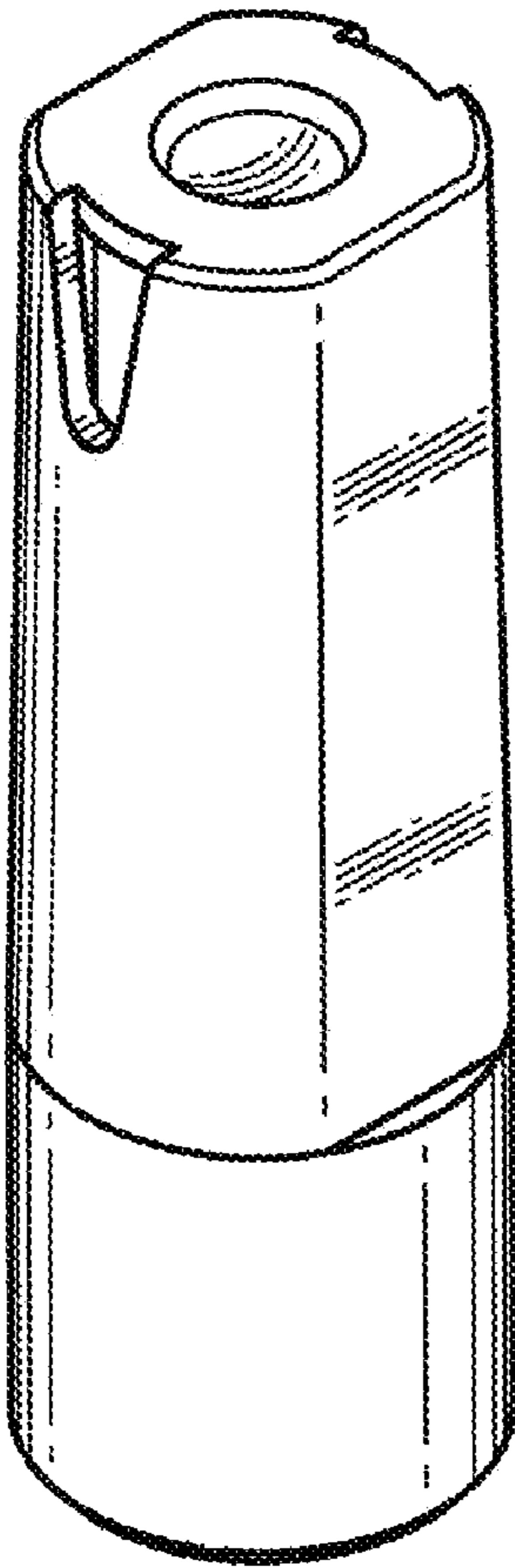


FIG. 1

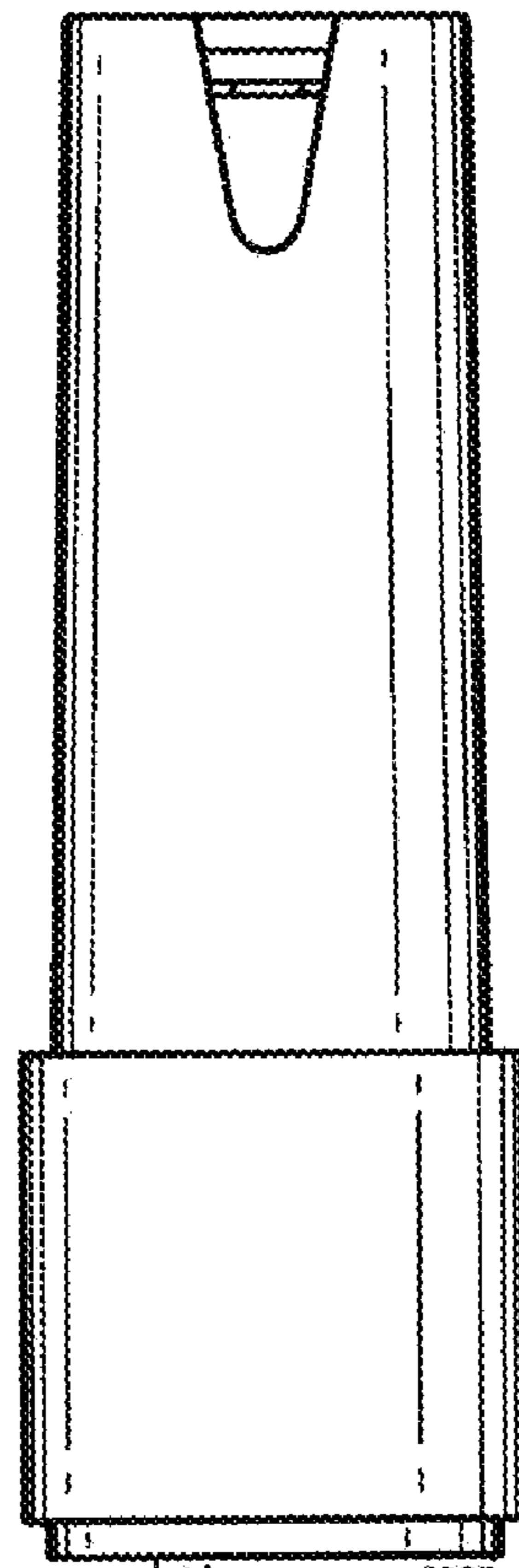


FIG. 2

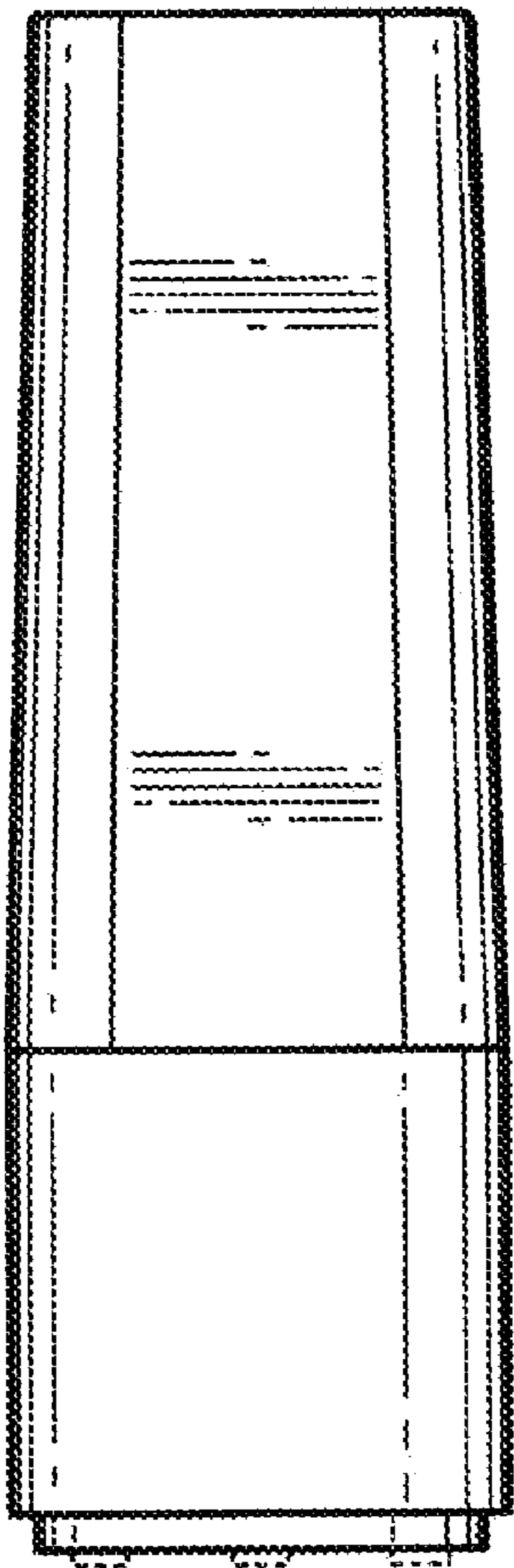


FIG. 3

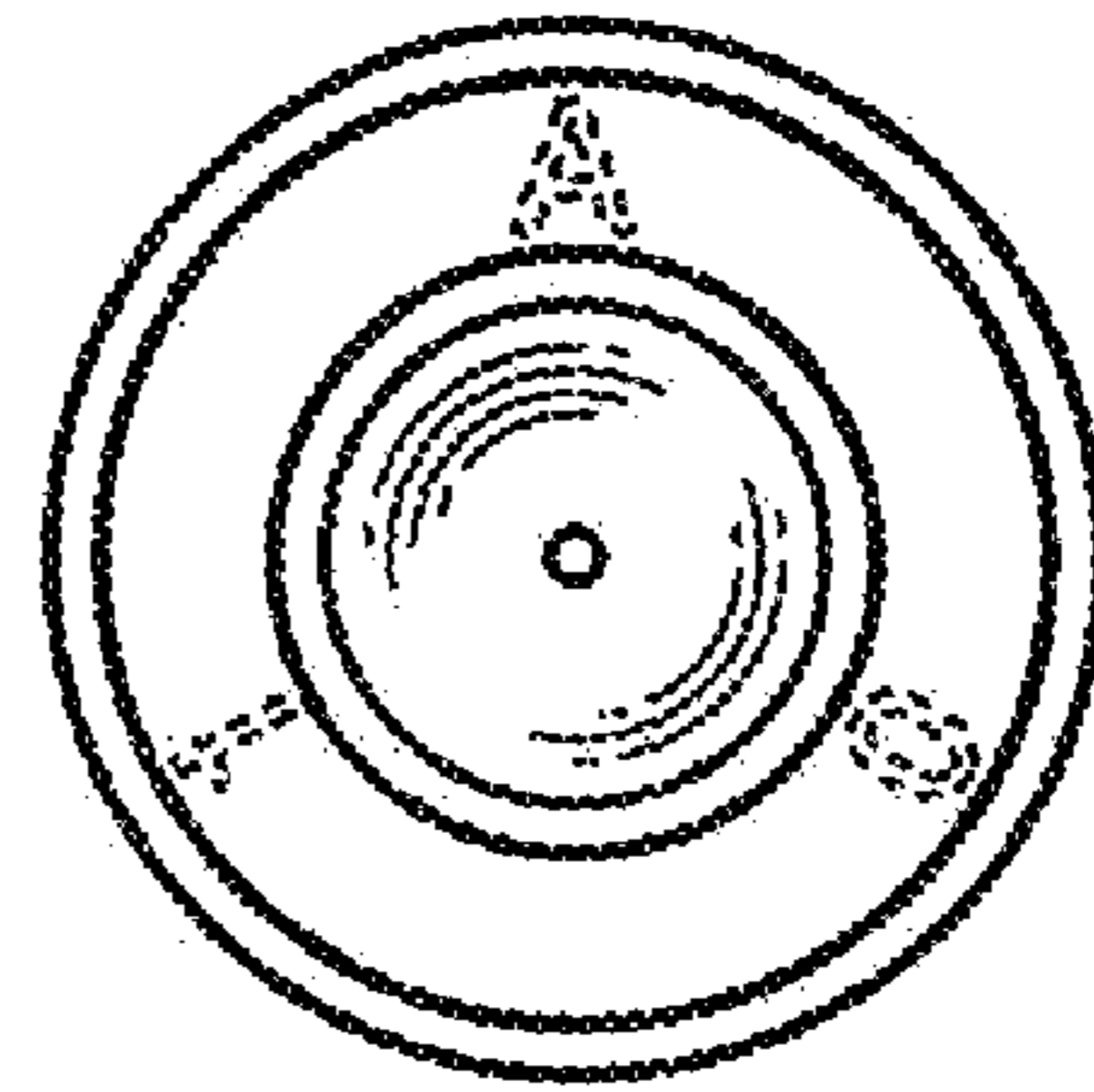


FIG. 4

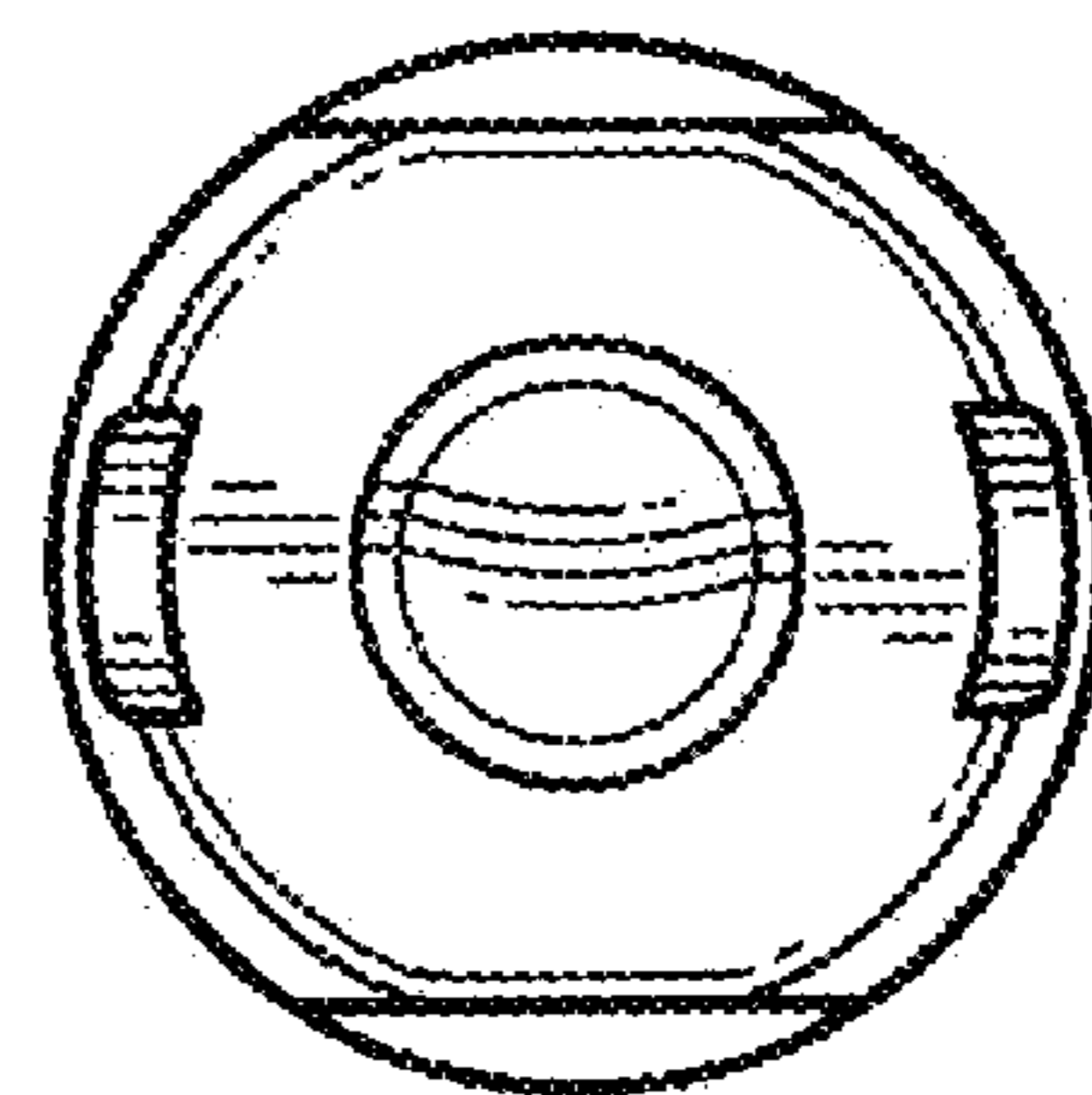


FIG. 5

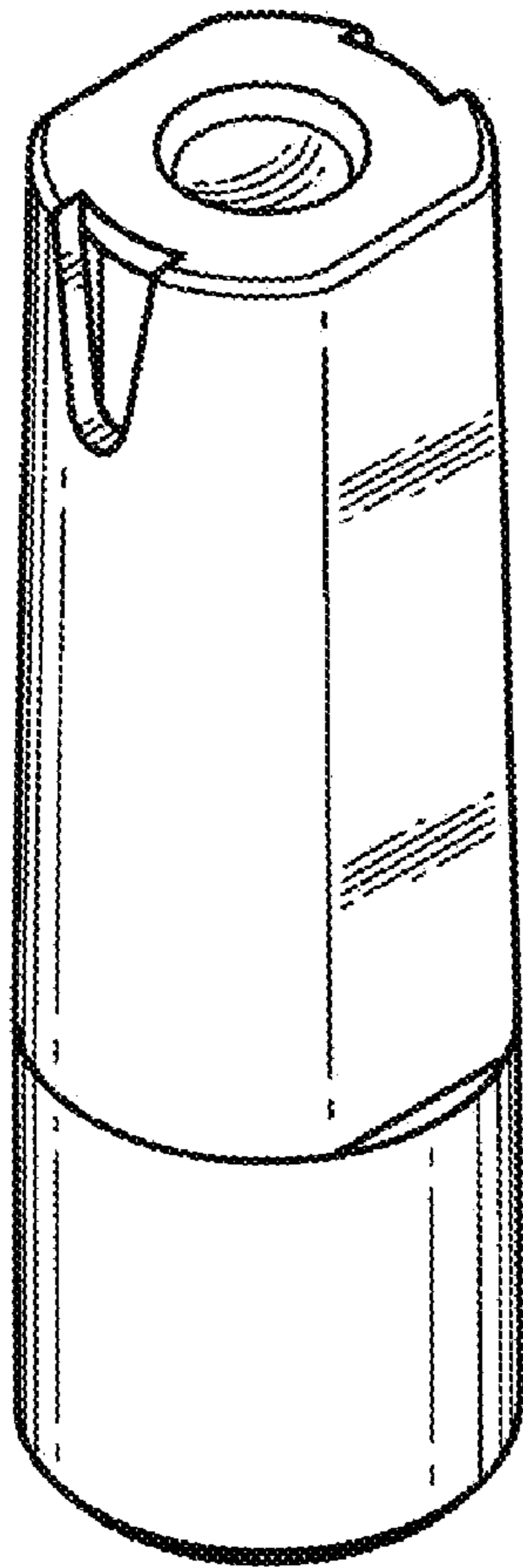


FIG. 6

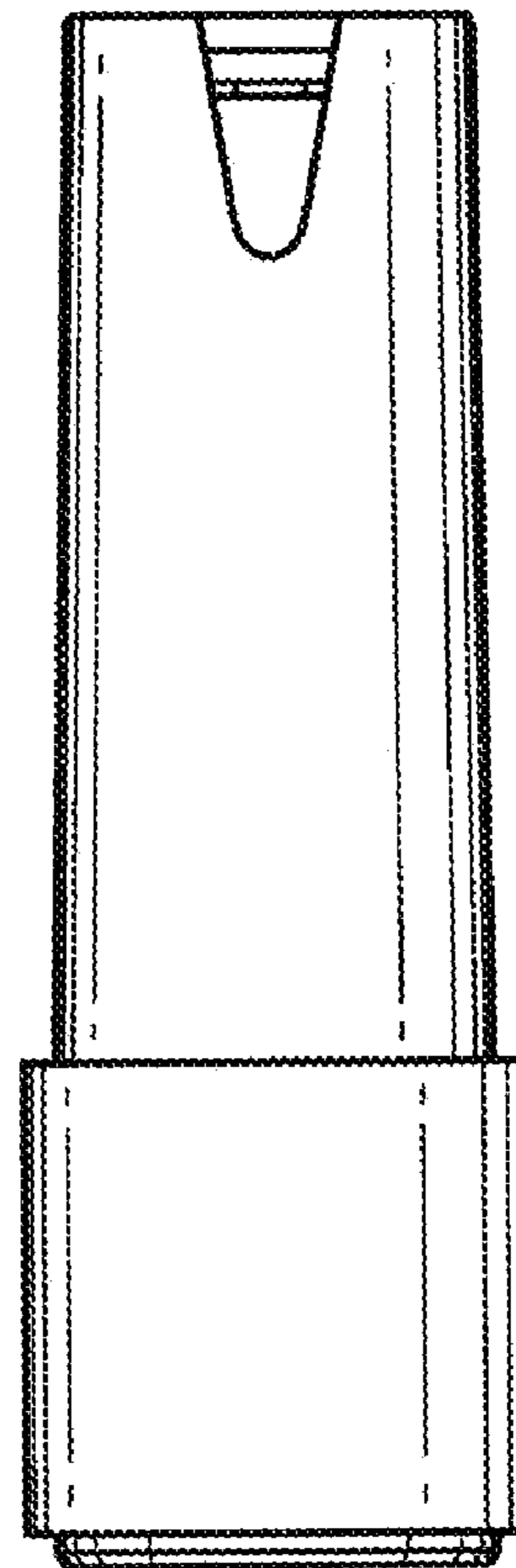


FIG. 7

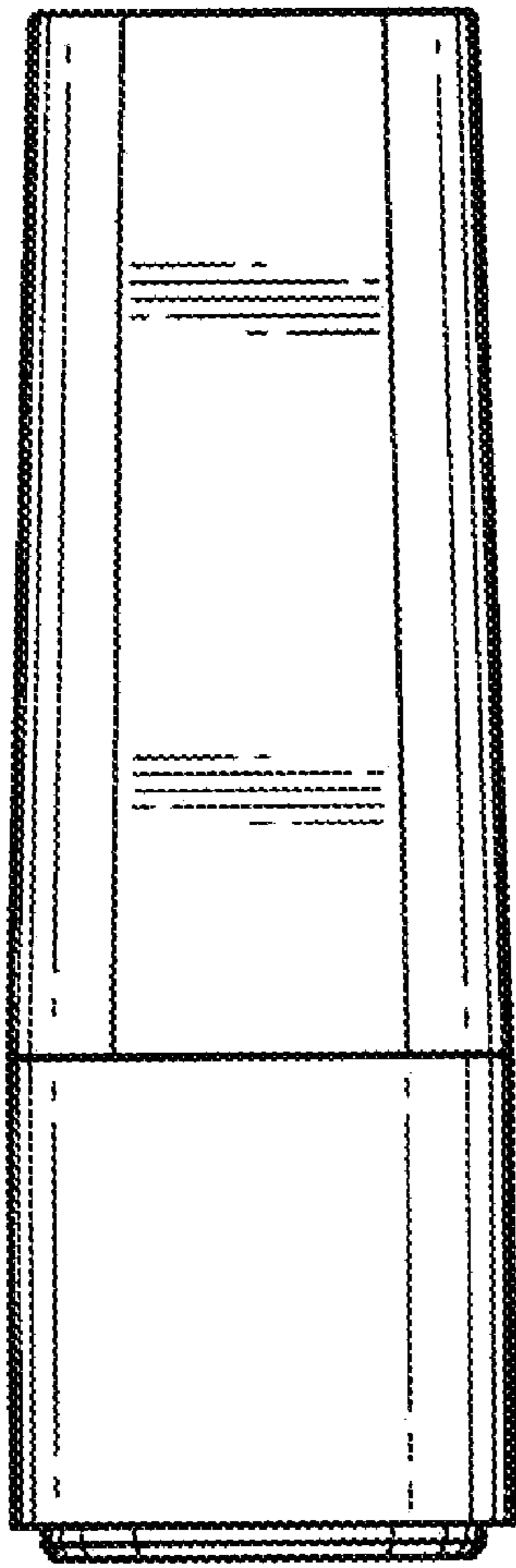


FIG. 8

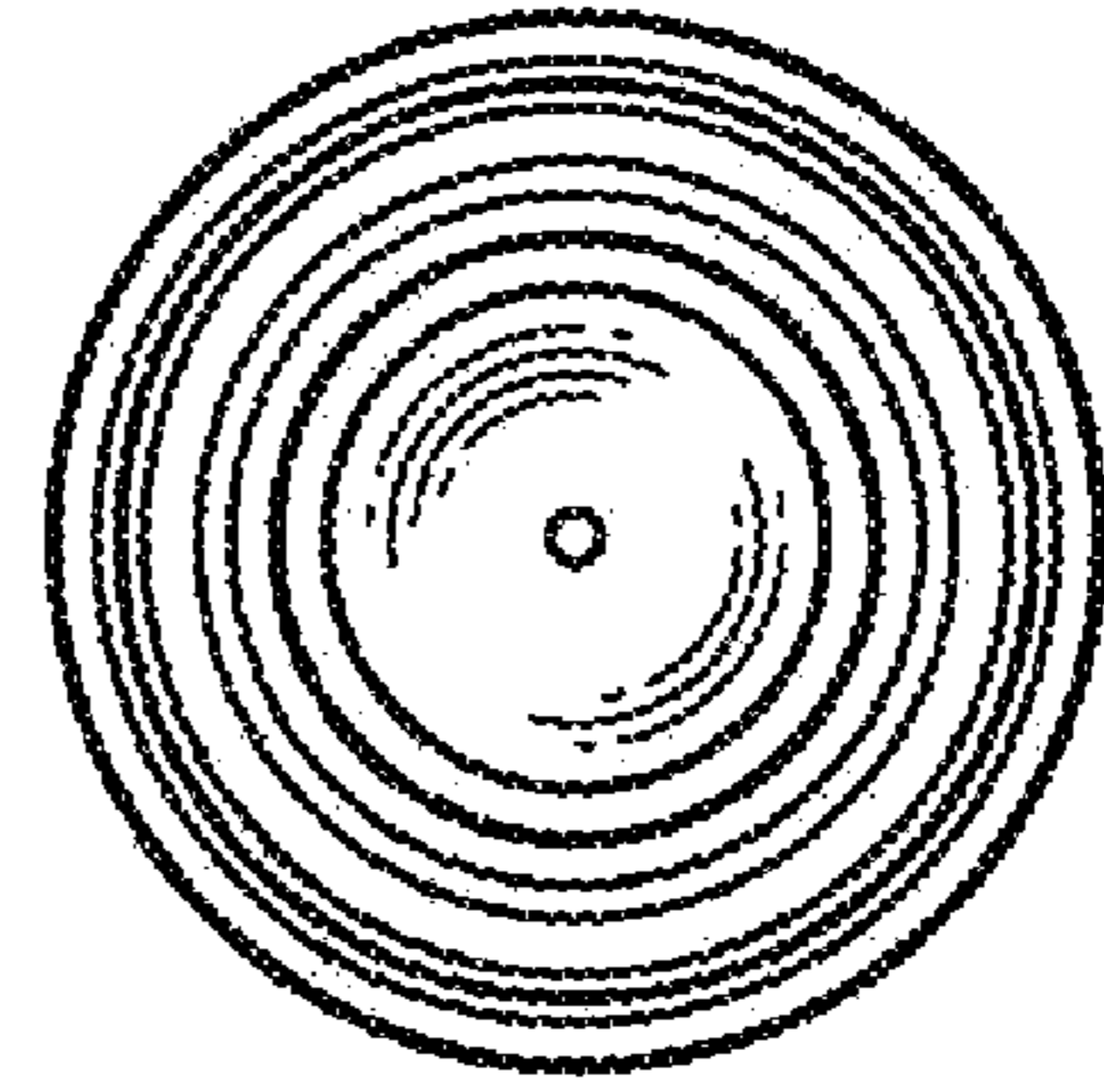


FIG. 9

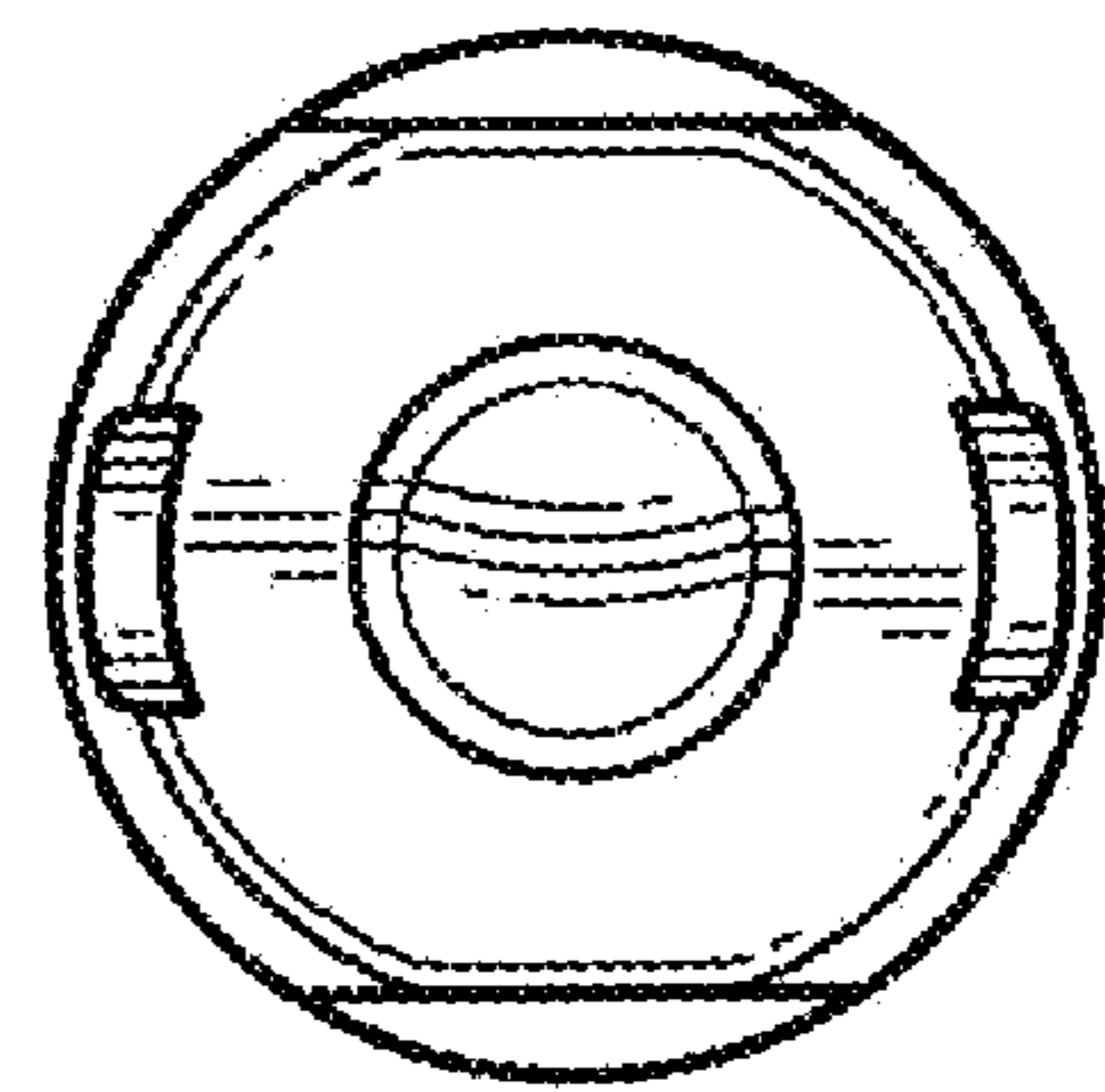


FIG. 10