



US00D565731S

(12) **United States Design Patent** (10) **Patent No.:** **US D565,731 S**
Eisenkolb et al. (45) **Date of Patent:** **** Apr. 1, 2008**

(54) **VALVE FOR MEDICAL INSTRUMENTS**

(75) Inventors: **Peter Eisenkolb**, Tuttlingen (DE);
Andreas Efinger, Rietheim (DE)

(73) Assignee: **Karl Storz GmbH & Co. KG** (DE)

(**) Term: **14 Years**

(21) Appl. No.: **29/280,444**

(22) Filed: **May 29, 2007**

Related U.S. Application Data

(63) Continuation-in-part of application No. 29/238,831,
filed on Sep. 22, 2005, now abandoned.

(51) **LOC (8) Cl.** **24-02**

(52) **U.S. Cl.** **D24/129**

(58) **Field of Classification Search** D23/233,
D23/262–264, 421; D24/108, 110.6, 111–112,
D24/129; 285/119, 137.1, 149.6, 315, 351;
604/247, 256–257, 264, 275, 905
See application file for complete search history.

(56) **References Cited**

U.S. PATENT DOCUMENTS

2,290,251 A	7/1942	Saunders	251/63.5
2,764,995 A	10/1956	Krupp et al.	137/241
2,768,604 A	10/1956	Enerud	116/125
D284,222 S	6/1986	Hamilton	D24/53
4,794,913 A	1/1989	Shimonaka et al.	128/4
D343,898 S	2/1994	Bryant et al.	D24/112
D354,133 S	1/1995	Scavitto et al.	D24/129
5,609,584 A	3/1997	Gettig et al.	604/283
D387,147 S	12/1997	Vandermast et al.	D23/262
D397,784 S	9/1998	Piotek et al.	D24/108
D448,474 S	9/2001	Jansen et al.	D24/114
D448,475 S	9/2001	Jansen et al.	D24/114
6,666,359 B2	12/2003	Lau et al.	222/541.5
D485,616 S	1/2004	Baillargeon et al.	D24/129
D507,332 S	7/2005	Karasawa	D23/262
2002/0147431 A1	10/2002	Lopez et al.	604/256

2005/0049555 A1	3/2005	Moorehead et al.	604/122
2007/0078412 A1*	4/2007	McGuckin et al.	604/264
2007/0089787 A1*	4/2007	Patzer	137/111
2007/0250021 A1*	10/2007	Brimhall et al.	604/264

FOREIGN PATENT DOCUMENTS

DE	196 04 122 A1	2/1996
DE	691 22 314 T	4/1997
EP	0 463 363 A2	2/1992
EP	1 403 574 A1	3/2004

* cited by examiner

Primary Examiner—Louis S. Zarfaz

Assistant Examiner—Eric L Goodman

(74) *Attorney, Agent, or Firm*—St. Onge Steward Johnston
& Reens LLC

(57) **CLAIM**

The ornamental design for “valve for medical instruments,”
as shown and described.

DESCRIPTION

FIG. 1 is a perspective view of a valve for medical instru-
ments in accordance with the new design;

FIG. 2 is a side view of the valve for medical instruments of
FIG. 1;

FIG. 3 is a side view of the valve for medical instruments of
FIG. 1;

FIG. 4 is a top view of the valve for medical instruments of
FIG. 1;

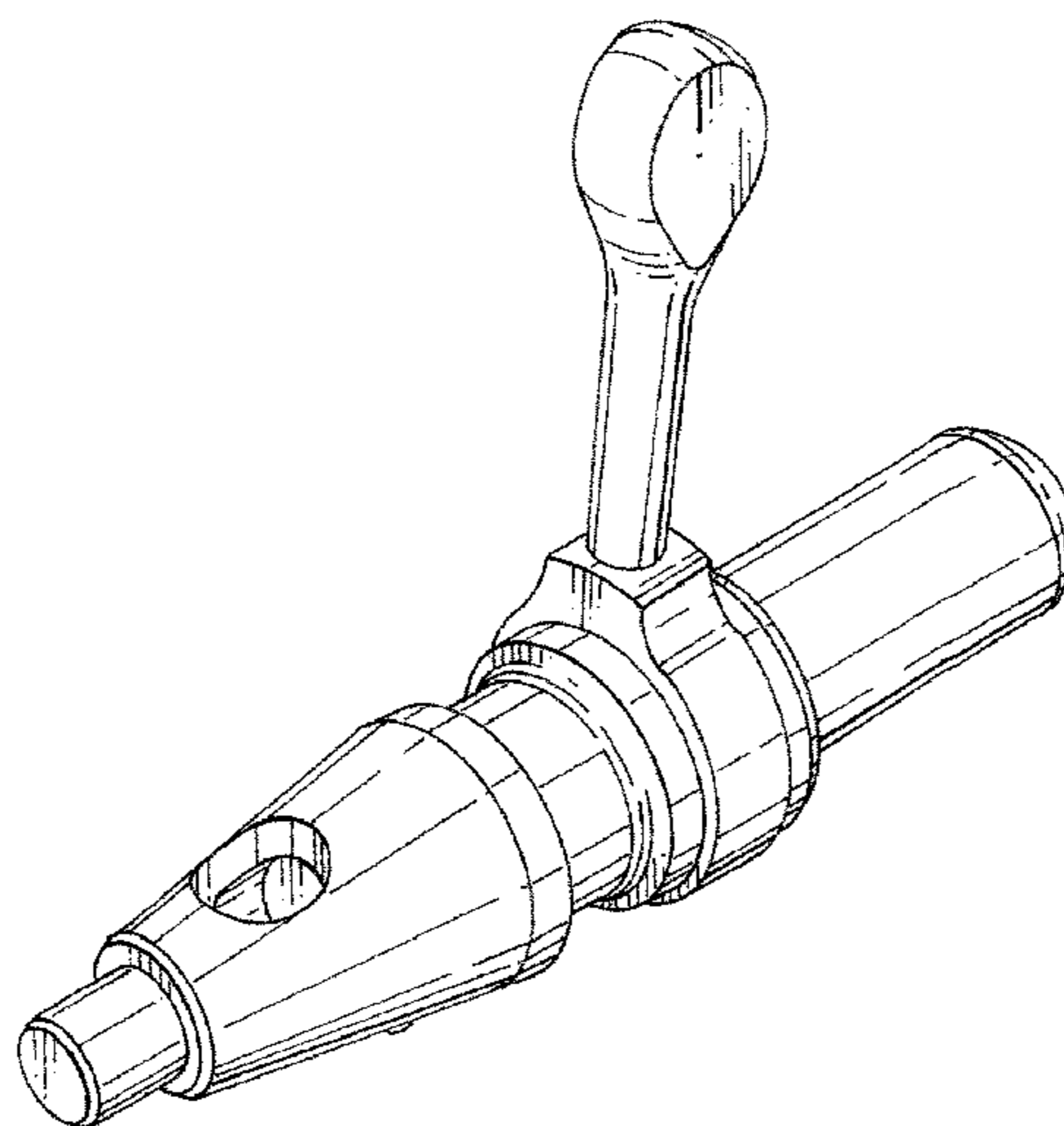
FIG. 5 is a bottom view of the valve for medical instru-
ments of FIG. 1;

FIG. 6 is a front end view of the valve for medical instru-
ments of FIG. 1;

FIG. 7 is a rear end view of the valve for medical instru-
ments of FIG. 1; and,

FIG. 8 is a perspective view of an additional embodiment of
the valve for medical instruments.

1 Claim, 8 Drawing Sheets



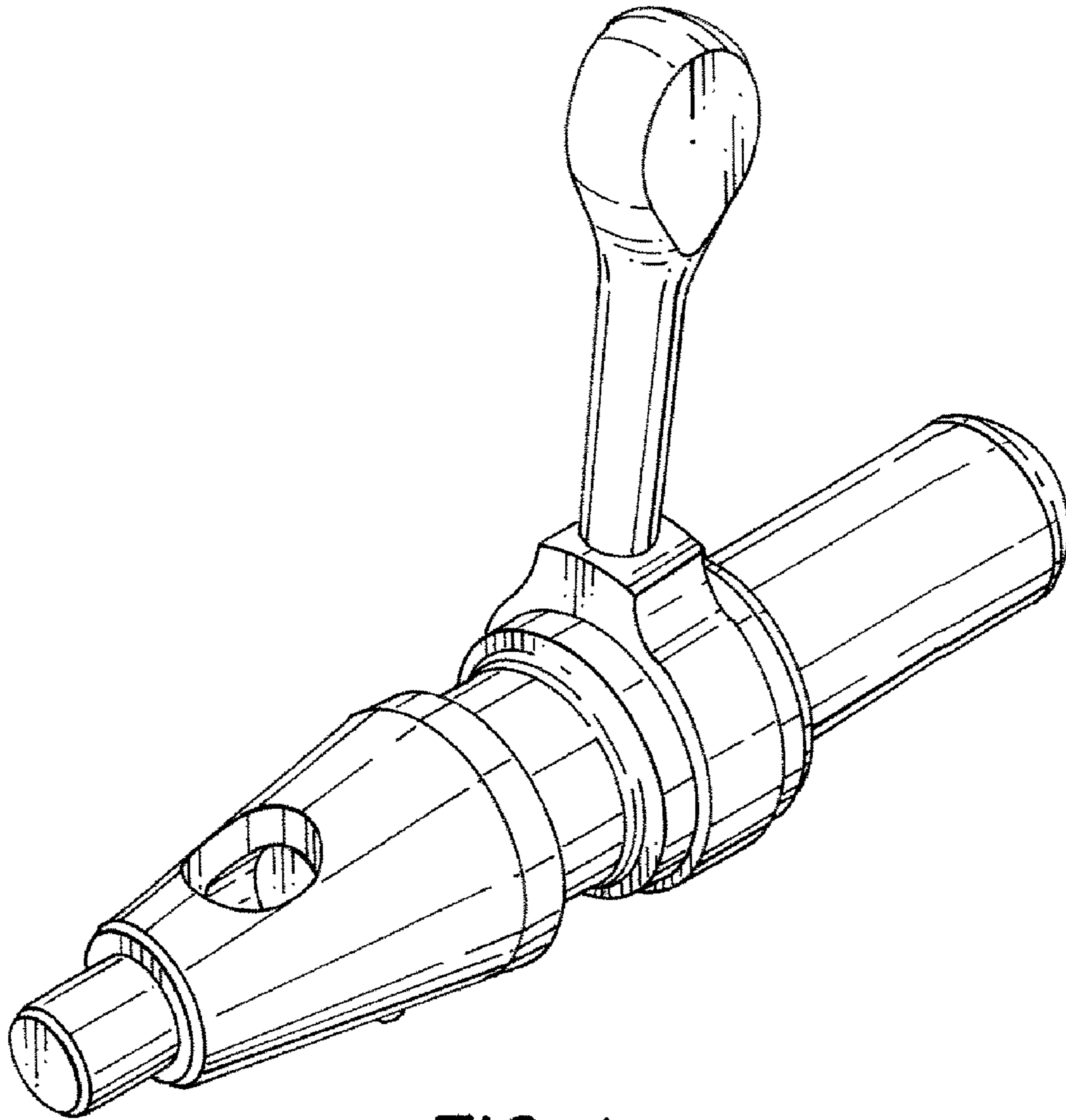


FIG. 1

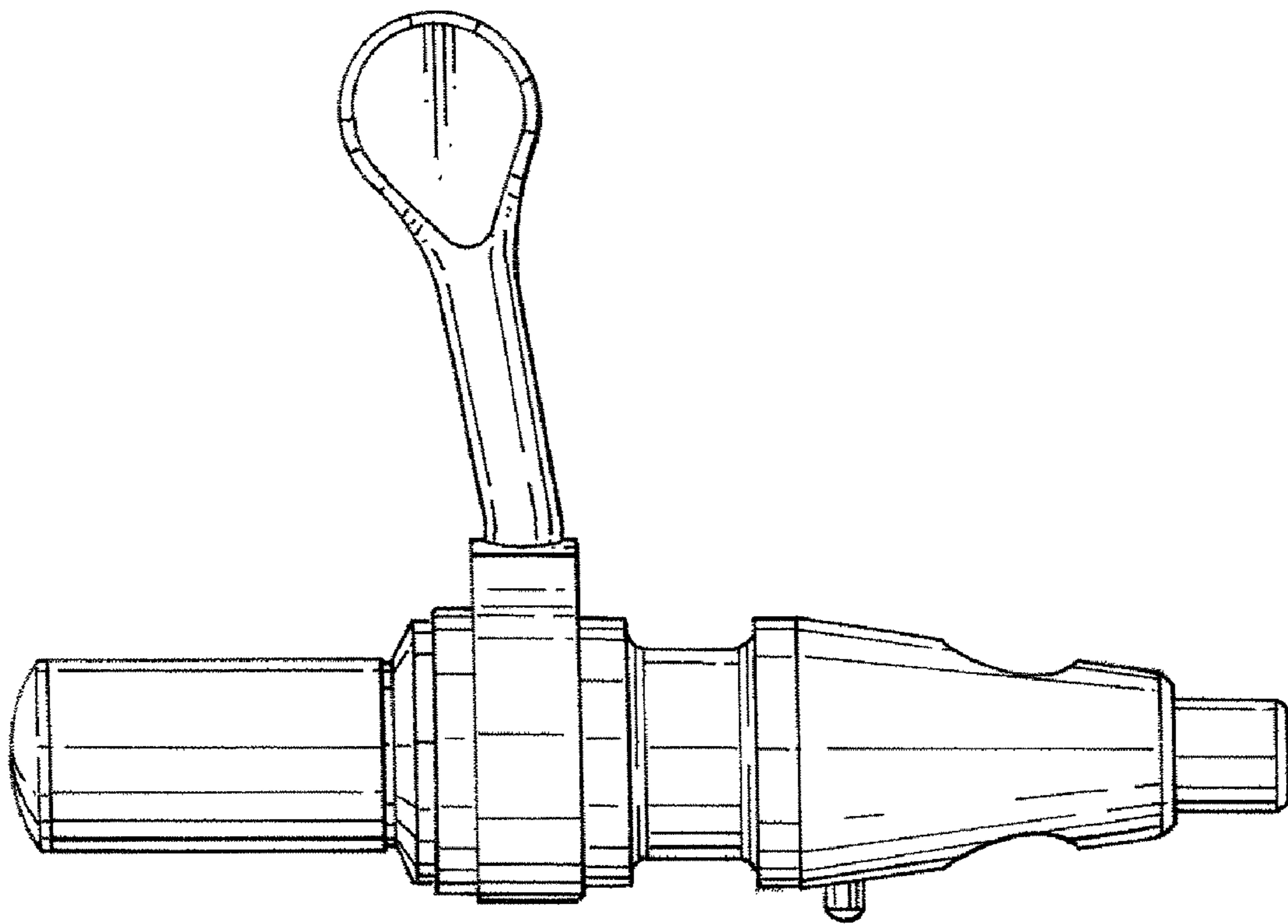


FIG. 2

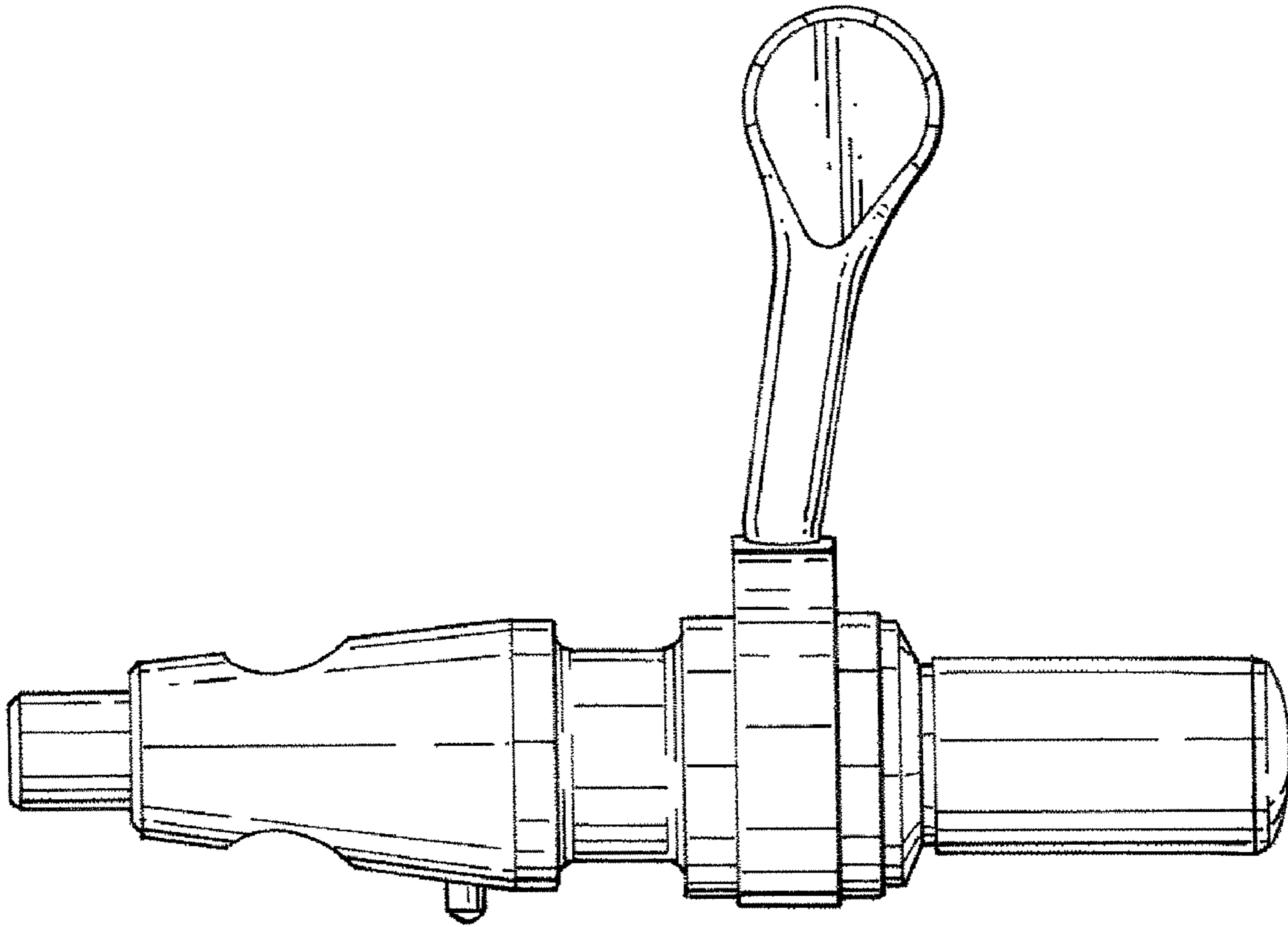


FIG. 3

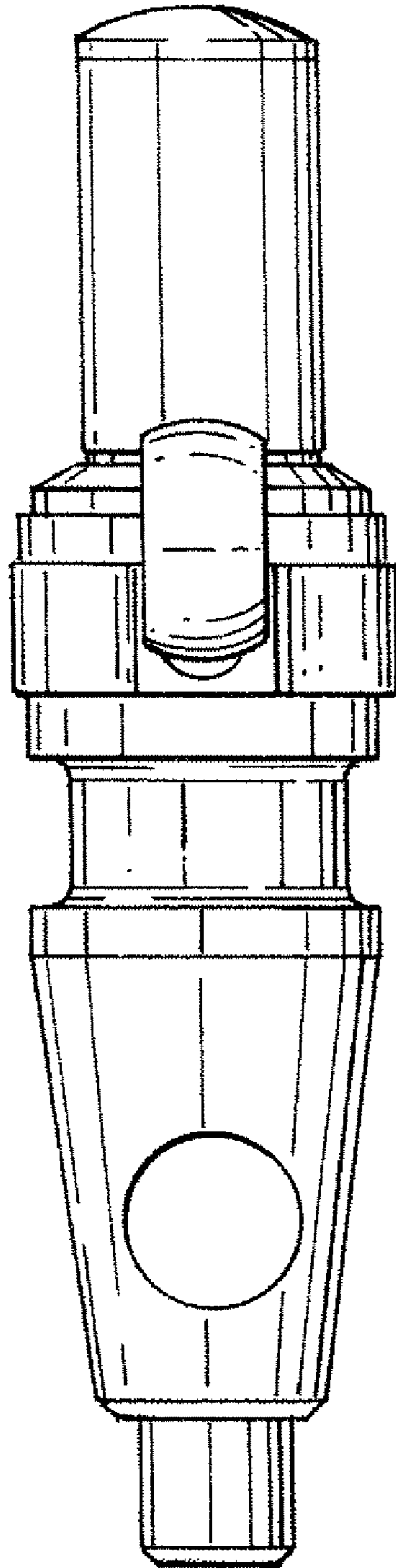


FIG. 4

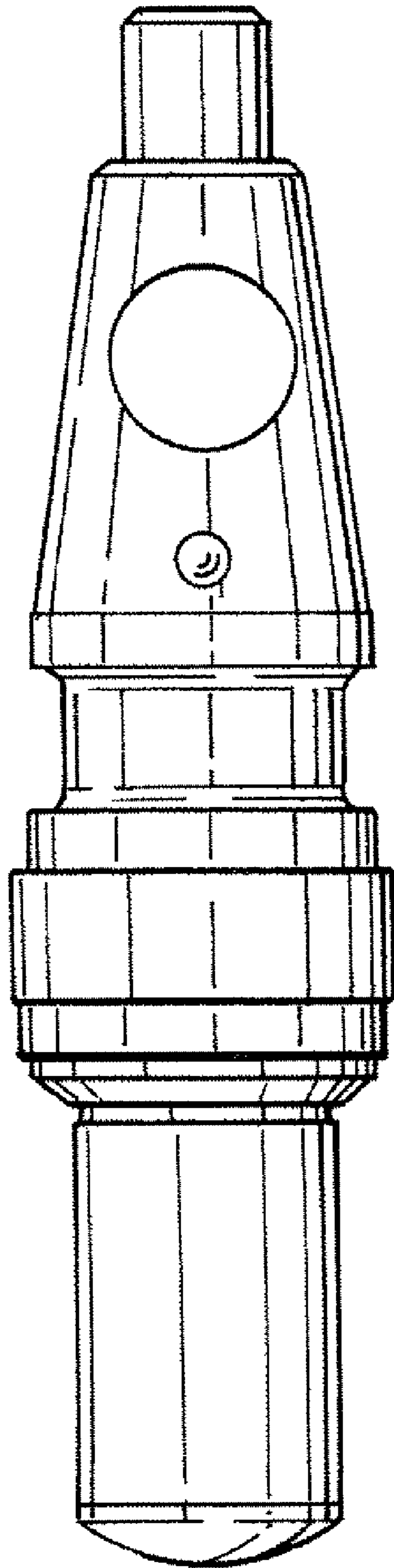


FIG. 5

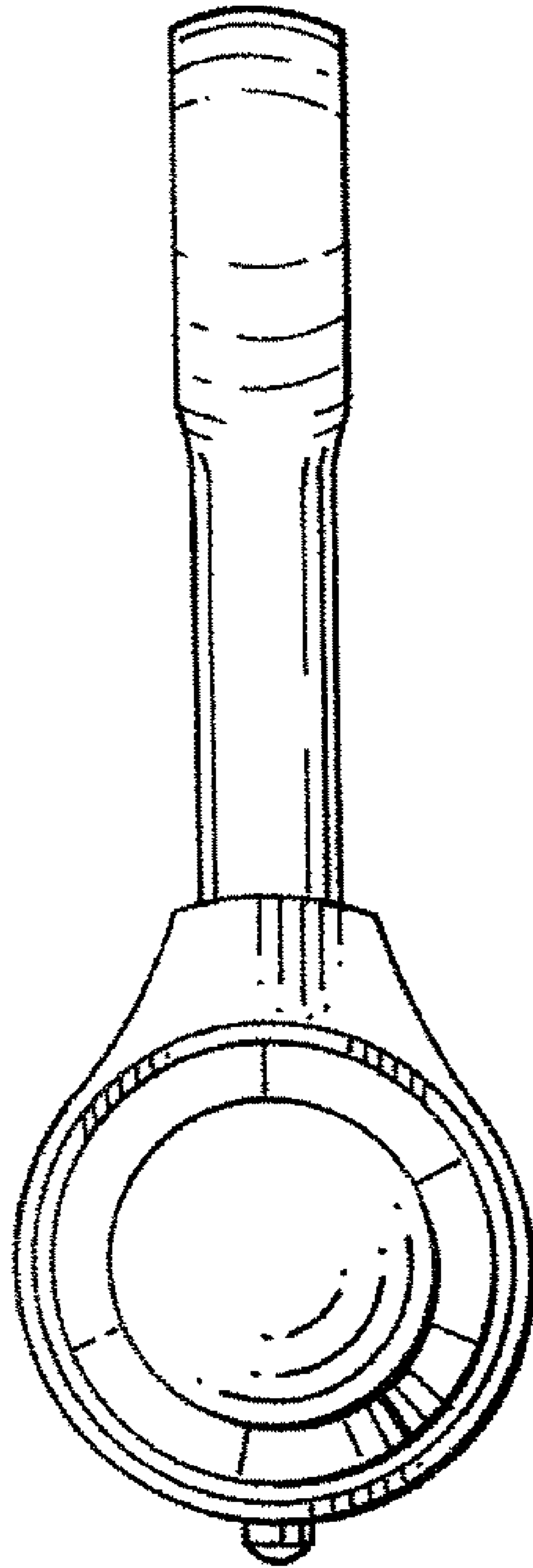


FIG. 6

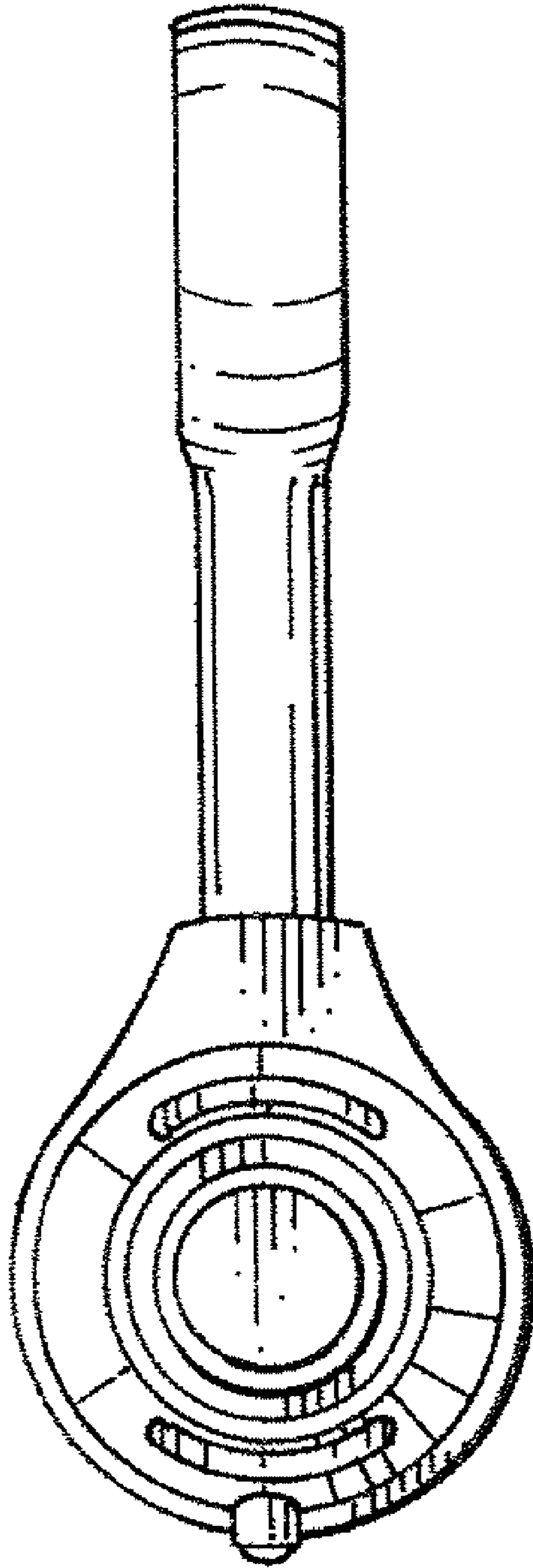


FIG. 7

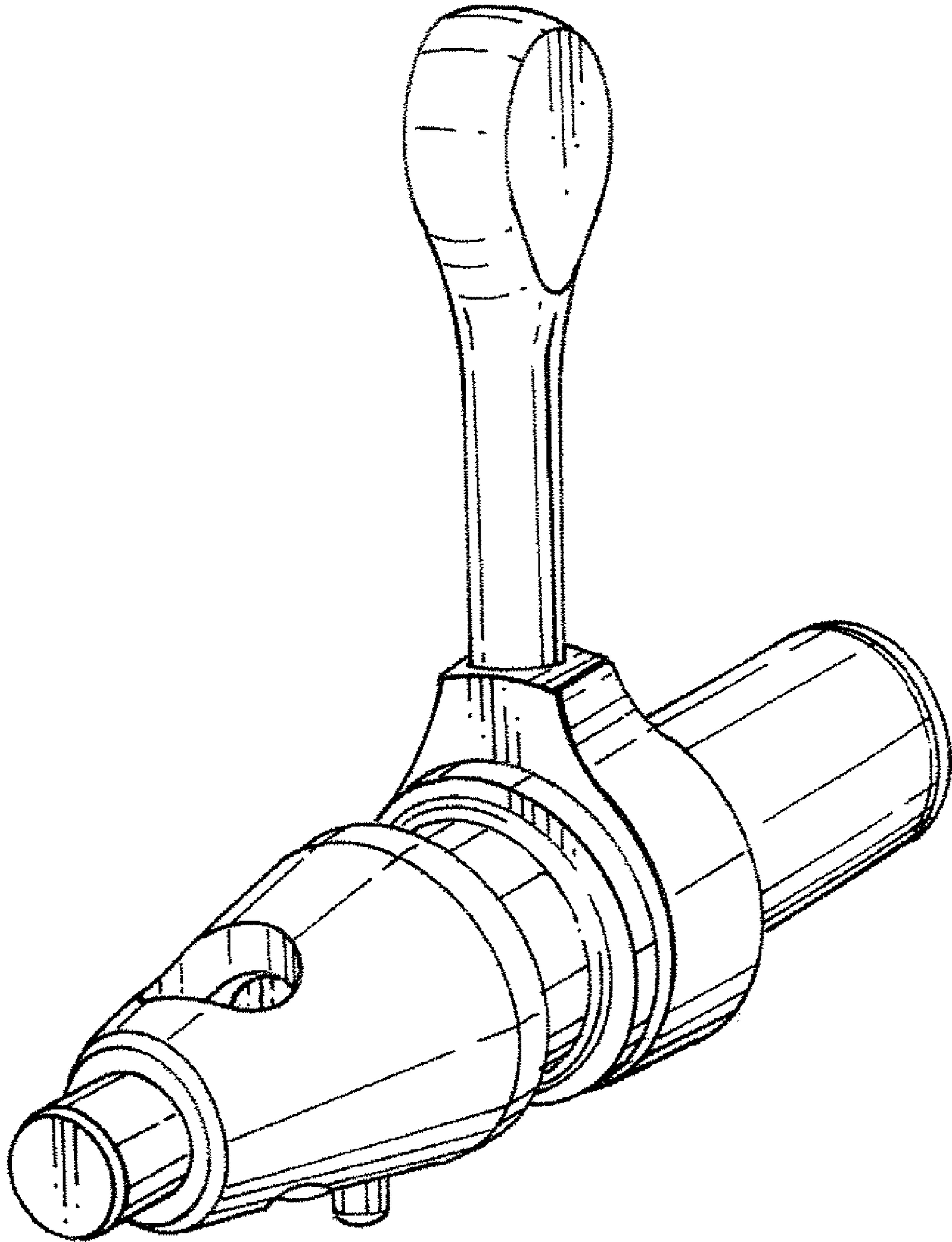


FIG. 8