



US00D565728S

(12) **United States Design Patent**
Jones

(10) **Patent No.:** **US D565,728 S**

(45) **Date of Patent:** **** Apr. 1, 2008**

(54) **UNIVERSAL DIALYZER CAP**

(75) Inventor: **Jeffrey G. Jones**, Eden, UT (US)

(73) Assignee: **Fresenius Medical Care Holdings, Inc.**, Waltham, MA (US)

(**) Term: **14 Years**

(21) Appl. No.: **29/250,970**

(22) Filed: **Dec. 7, 2006**

(51) **LOC (8) Cl.** **24-01**

(52) **U.S. Cl.** **D24/108; D9/452**

(58) **Field of Classification Search** D24/108,
D24/121, 224, 169; D9/452, 435, 443; D23/250;
215/252; 604/19, 27, 29; 600/366; 210/646,
210/195.2, 321.71

See application file for complete search history.

(56) **References Cited**

U.S. PATENT DOCUMENTS

3,473,685	A *	10/1969	Karlan	215/253
D234,826	S *	4/1975	Swenson	D24/169
4,163,722	A	8/1979	Cosentino et al.		
4,283,284	A *	8/1981	Schnell	210/321.8
4,402,420	A	9/1983	Chernack		
4,969,565	A	11/1990	Justal et al.		
5,015,374	A	5/1991	Mathieu et al.		
5,954,957	A	9/1999	Chin-Loy et al.		
D467,803	S *	12/2002	Brown et al.	D9/443
6,656,433	B2	12/2003	Sasso		
D491,063	S *	6/2004	Hicks et al.	D9/443

D551,971	S *	10/2007	Hardwick	D9/443
2003/0075498	A1 *	4/2003	Watkins et al.	219/456
2003/0102264	A1 *	6/2003	Pope et al.	210/646

FOREIGN PATENT DOCUMENTS

JP	2149319	A	6/1990
JP	2002 028233	A	1/2002
JP	2002 177382	A	6/2002

* cited by examiner

Primary Examiner—Ian Simmons

Assistant Examiner—Carissa C Fitts

(74) *Attorney, Agent, or Firm*—Leydig, Voit & Mayer, Ltd.

(57) **CLAIM**

The ornamental design for a universal dialyzer cap, as shown and described.

DESCRIPTION

FIG. 1 is a perspective view taken from above of a universal dialyzer cap showing our new design;

FIG. 2 is a perspective view taken from below of the universal dialyzer cap shown in FIG. 1;

FIG. 3 is a top plan view of the universal dialyzer cap shown in FIG. 1;

FIG. 4 is a side view of the universal dialyzer cap shown in FIG. 1; and,

FIG. 5 is a bottom view of the universal dialyzer cap shown in FIG. 1.

1 Claim, 3 Drawing Sheets

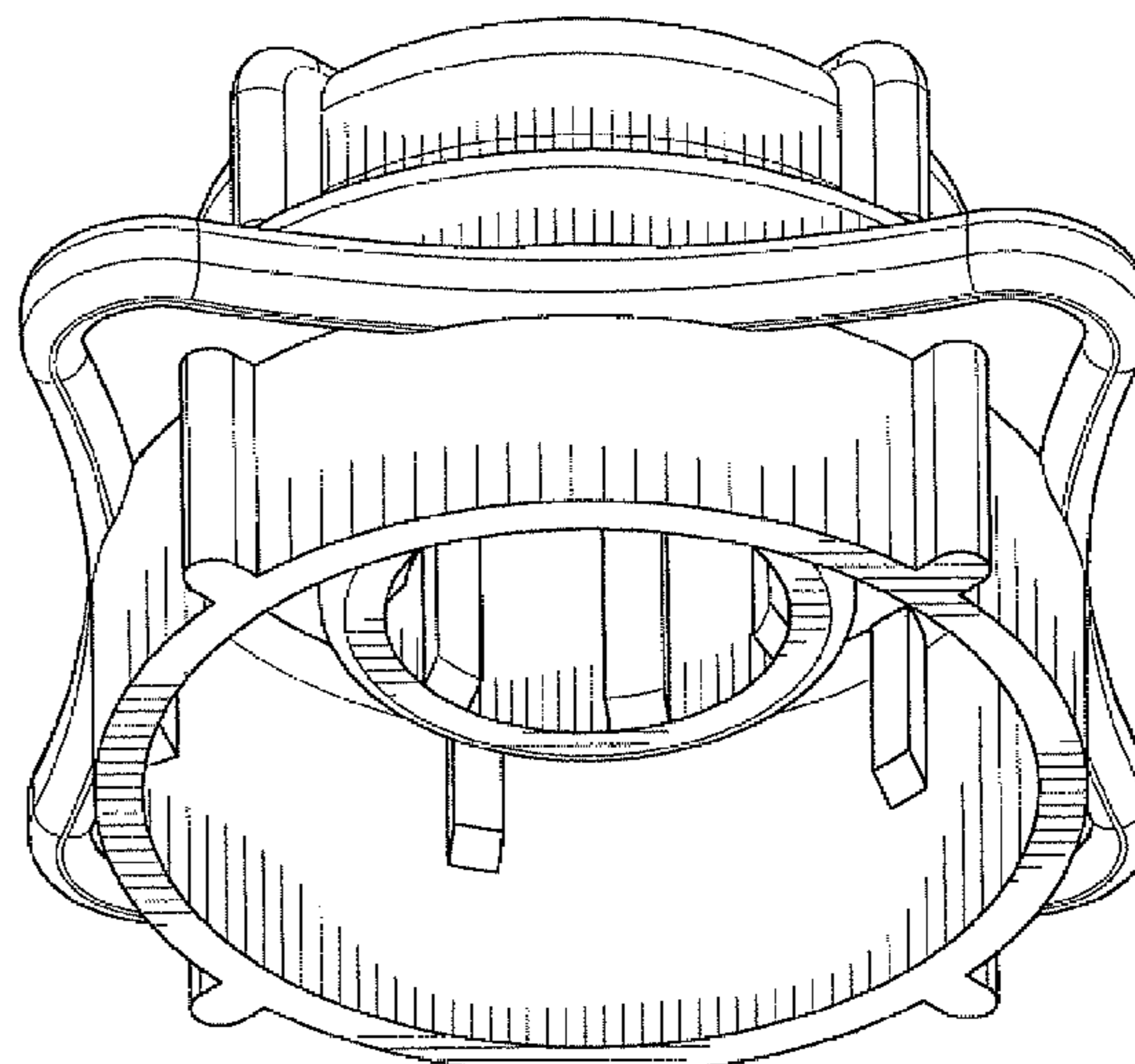
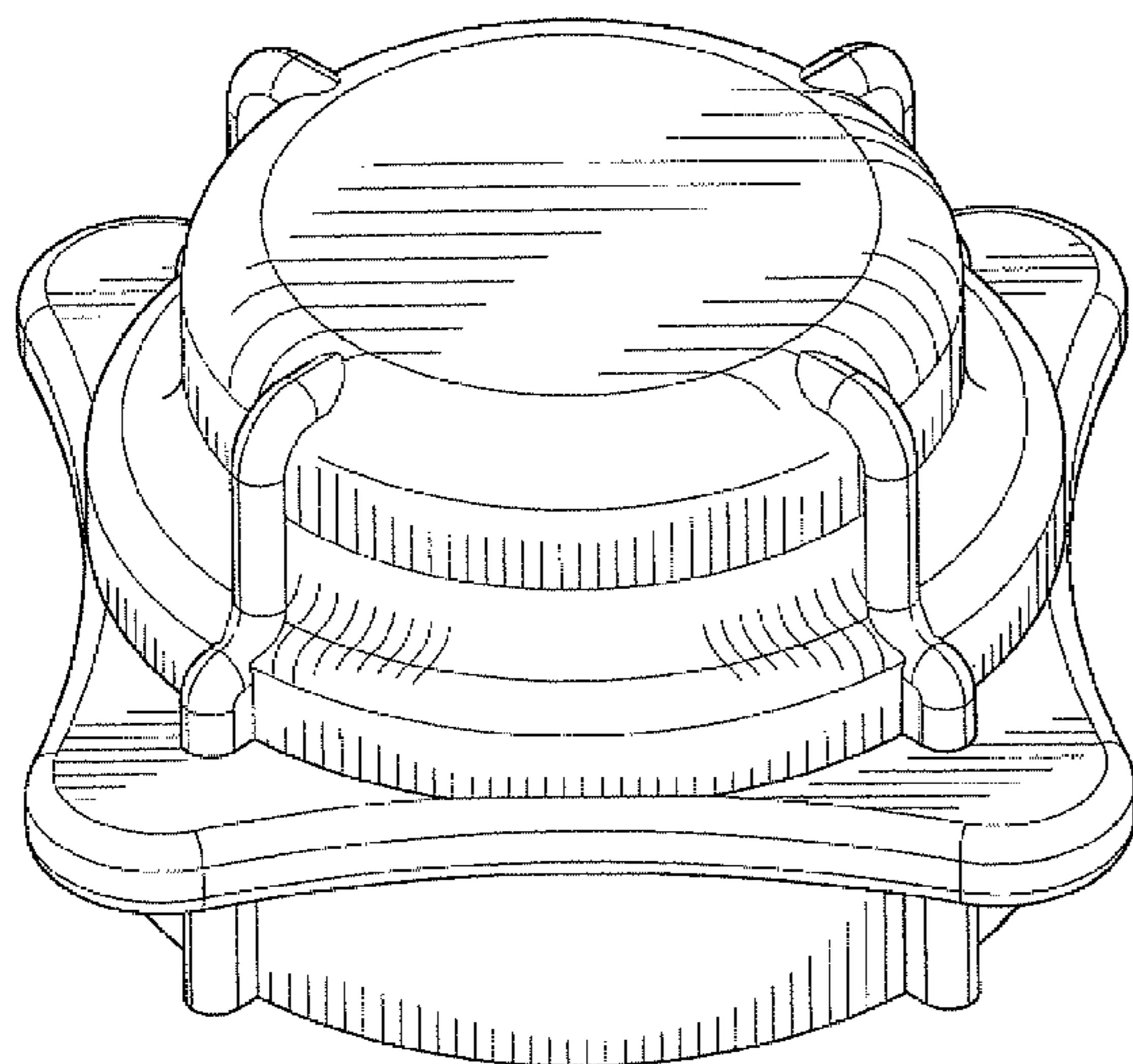


FIG. 1

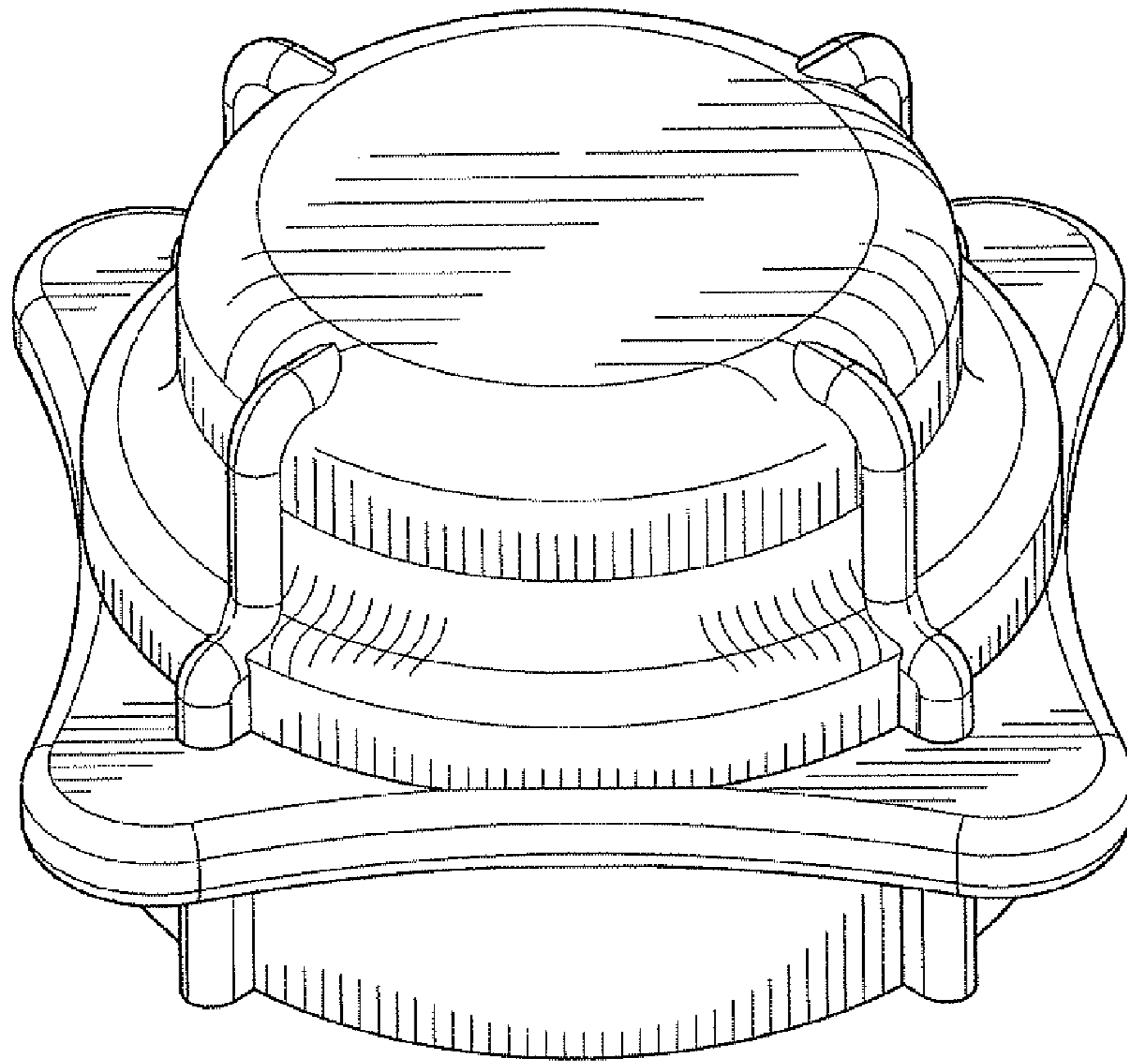


FIG. 2

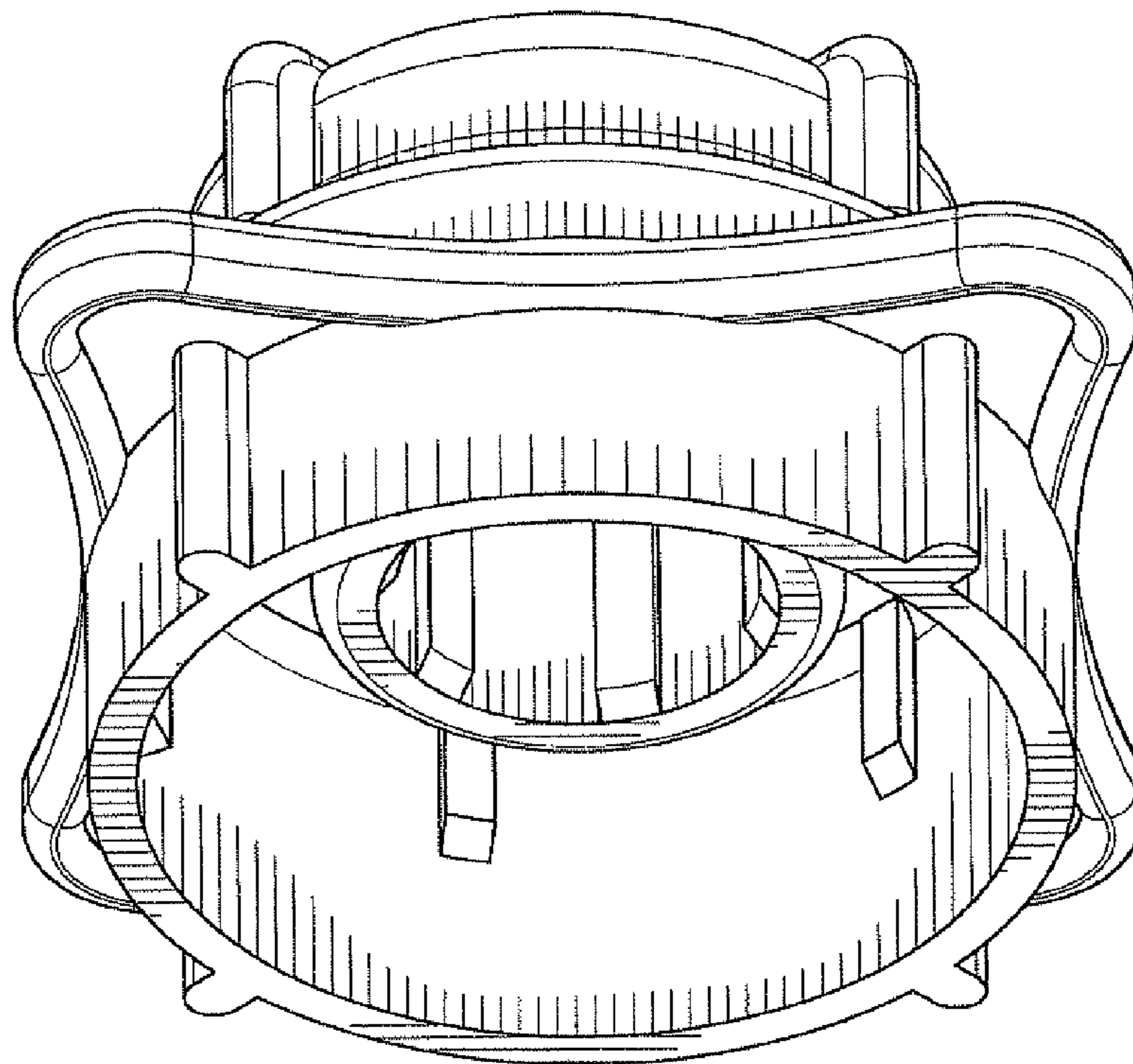


FIG. 3

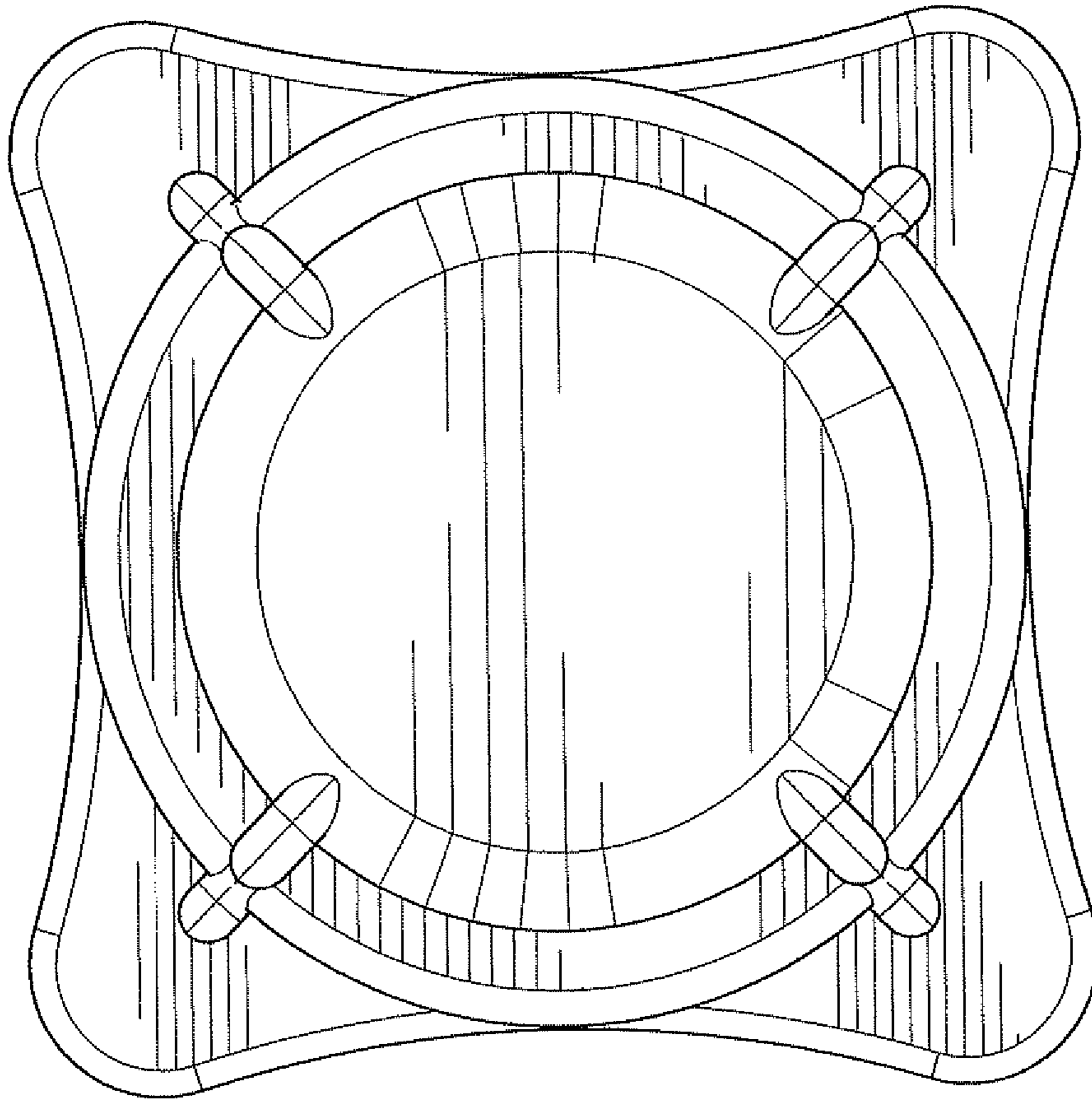


FIG. 4

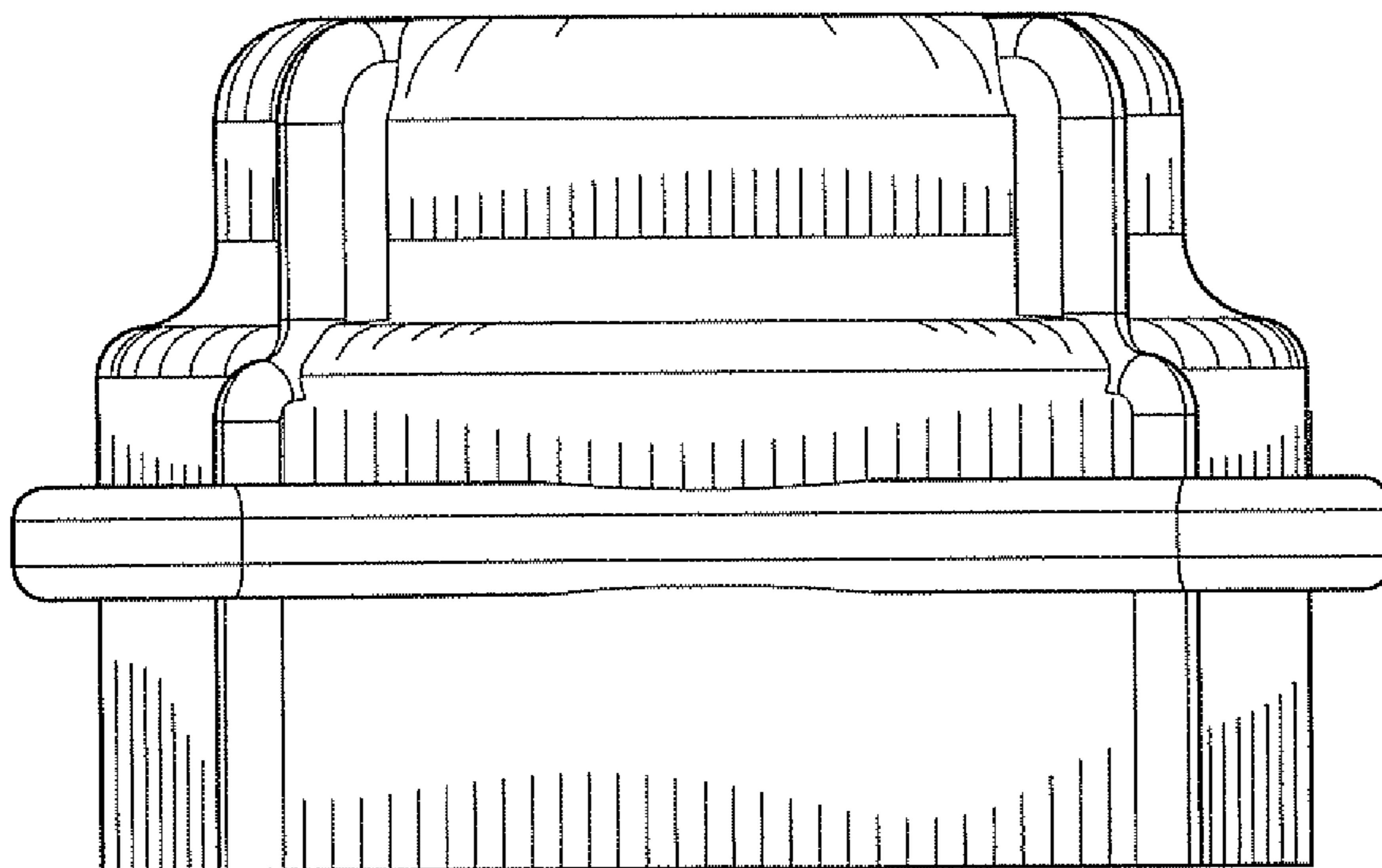


FIG. 5

