



US00D565727S

(12) **United States Design Patent**  
**Stumpf**

(10) **Patent No.:** **US D565,727 S**

(45) **Date of Patent:** **\*\* Apr. 1, 2008**

(54) **VEGETABLE OIL BURNER TANK**

(75) Inventor: **Elmar Stumpf**, Taufkirchen (DE)

(73) Assignee: **BSH Bosch und Siemens Hausgeraete GmbH**, Munich (DE)

(\*\*) Term: **14 Years**

(21) Appl. No.: **29/273,116**

(22) Filed: **Feb. 27, 2007**

**Related U.S. Application Data**

(62) Division of application No. 29/263,945, filed on Jul. 31, 2006, now Pat. No. Des. 545,957.

(51) **LOC (8) Cl.** ..... **23-01**

(52) **U.S. Cl.** ..... **D23/418**

(58) **Field of Classification Search** ..... D7/332-35,  
D7/337-349, 407; D23/202, 205, 233, 245,  
D23/415, 416, 418, 421, 499; D26/114;  
126/38, 39 E, 39 R, 41 R; 431/328, 330,  
431/332, 354

See application file for complete search history.

(56) **References Cited**

**U.S. PATENT DOCUMENTS**

1,482,932	A *	2/1924	Keiner	.....	220/616
3,018,914	A *	1/1962	Webster	.....	220/581
D209,266	S *	11/1967	Brown	.....	D23/205
D210,878	S *	4/1968	Schaefer	.....	D23/205
D213,235	S *	1/1969	Jacoby	.....	D10/121
D218,096	S *	7/1970	Craig	.....	D23/205
D244,578	S *	6/1977	Avant	.....	D29/126
D258,461	S *	3/1981	Chow et al.	.....	D23/205
4,452,368	A *	6/1984	Roth	.....	220/612
D279,921	S *	7/1985	Blumer et al.	.....	D23/205
D295,886	S *	5/1988	Dolton et al.	.....	D23/205
D306,639	S *	3/1990	Wills	.....	D23/205
D308,407	S *	6/1990	Takamatsu	.....	D23/205
D320,837	S *	10/1991	Loefke et al.	.....	D23/205

D339,844	S *	9/1993	Neeser	.....	D23/205
D353,436	S *	12/1994	Hess	.....	D23/202
D353,437	S *	12/1994	Getty et al.	.....	D23/202
D362,990	S *	10/1995	Losordo	.....	D7/305
D423,638	S *	4/2000	Drewery	.....	D23/202
D424,659	S *	5/2000	Drewery	.....	D23/202
D434,467	S *	11/2000	Joll	.....	D23/202
D537,977	S *	3/2007	Chen	.....	D27/148
2006/0257807	A1 *	11/2006	Hicks et al.	.....	431/354

\* cited by examiner

*Primary Examiner*—T. Chase Nelson

*Assistant Examiner*—Karen Acker

(74) *Attorney, Agent, or Firm*—Russell W. Warnock; James E. Howard

(57) **CLAIM**

The ornamental design for a vegetable oil burner tank, as shown and described.

**DESCRIPTION**

FIG. 1 is a perspective view of the vegetable oil burner tank showing my ornamental design;

FIG. 2 is another perspective view of the vegetable oil burner tank shown in FIG. 1;

FIG. 3 is a rear view of the vegetable oil burner tank shown in FIG. 1;

FIG. 4 is a front view of the vegetable oil burner tank shown in FIG. 1;

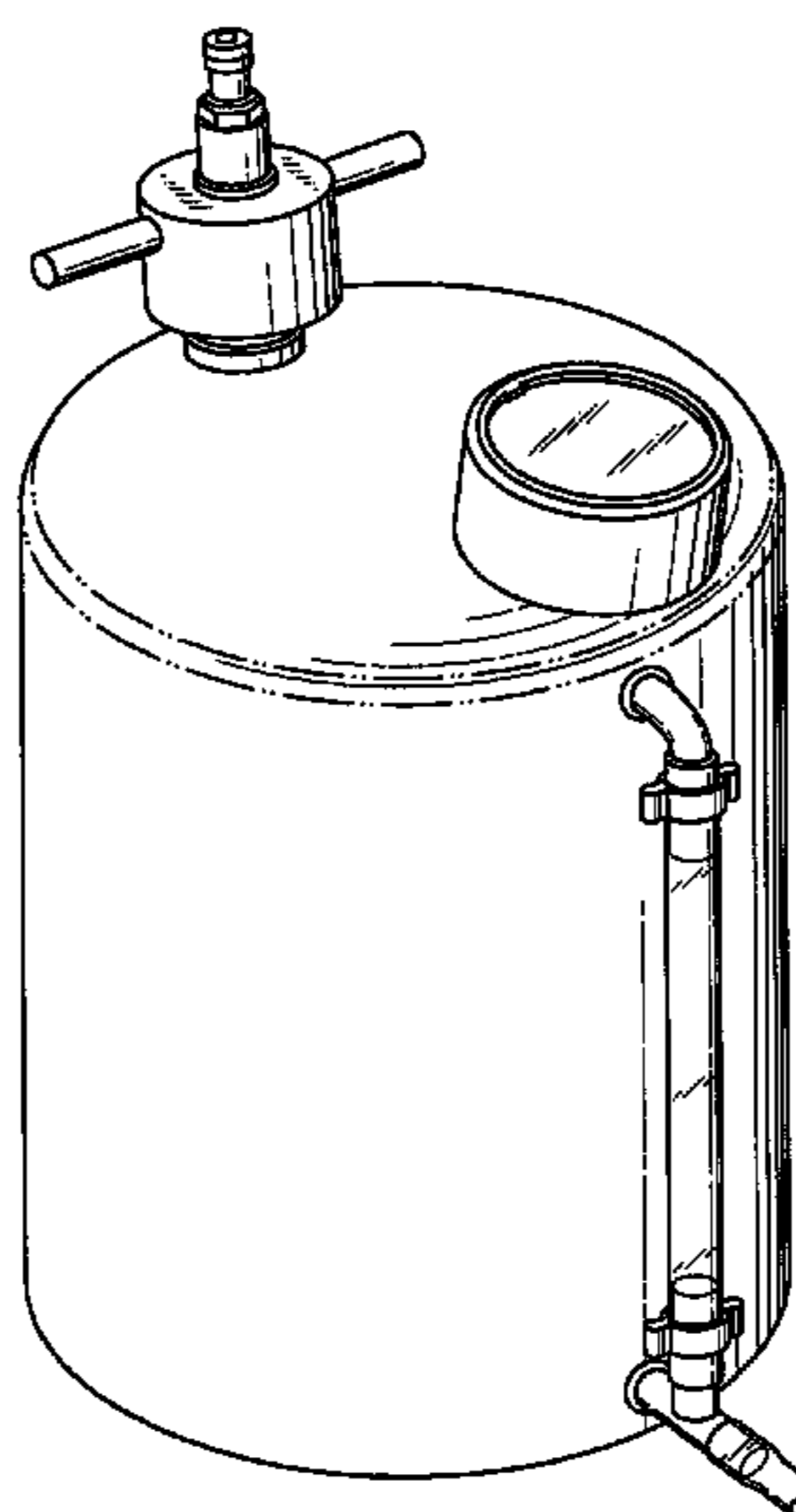
FIG. 5 is a right side view of the vegetable oil burner tank shown in FIG. 1;

FIG. 6 is a left side view of the vegetable oil burner tank shown in FIG. 1;

FIG. 7 is a top view of the vegetable oil burner tank shown in FIG. 1; and,

FIG. 8 is a bottom view of the vegetable oil burner tank shown in FIG. 1.

**1 Claim, 8 Drawing Sheets**



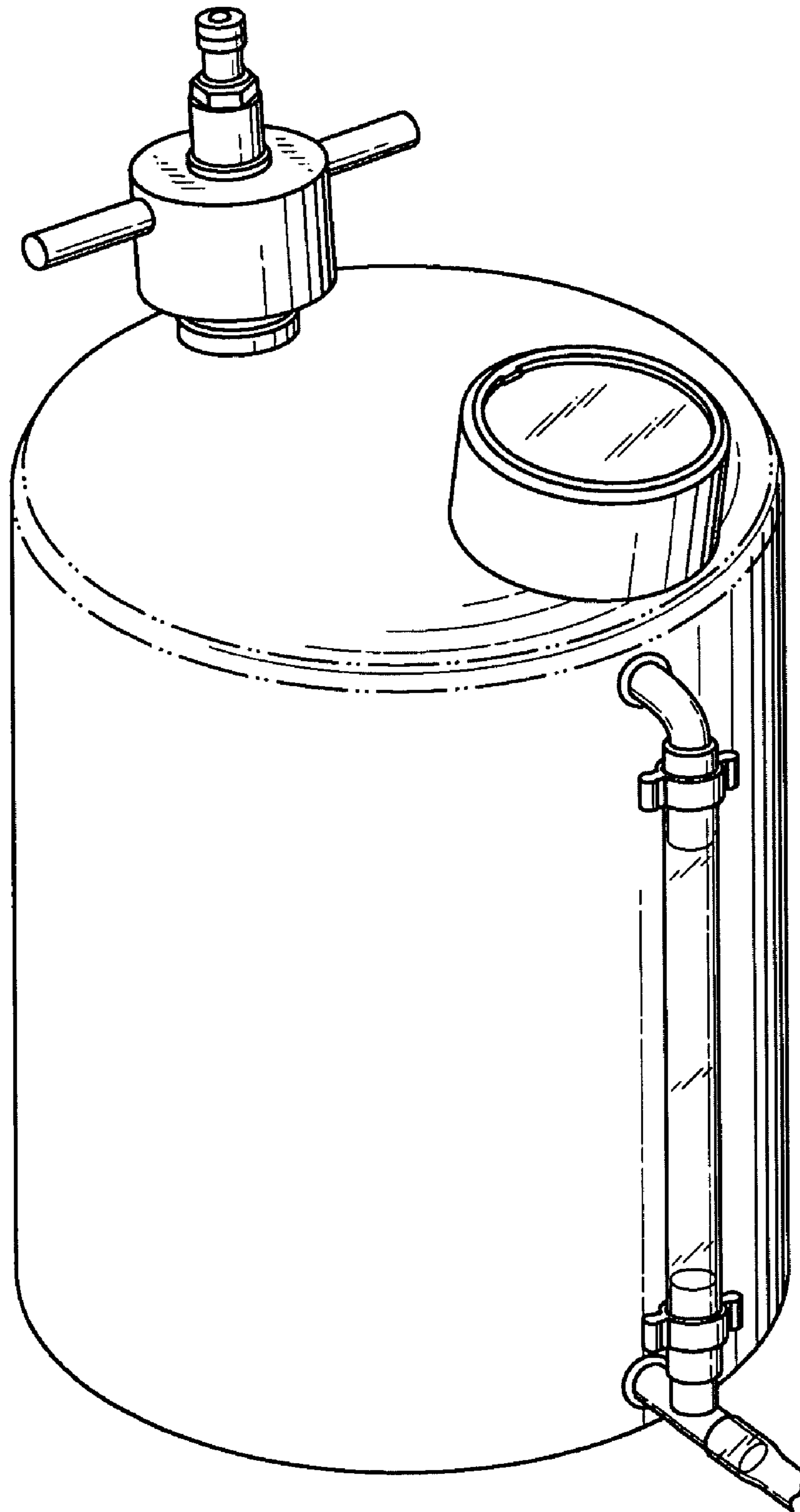


FIG. 1

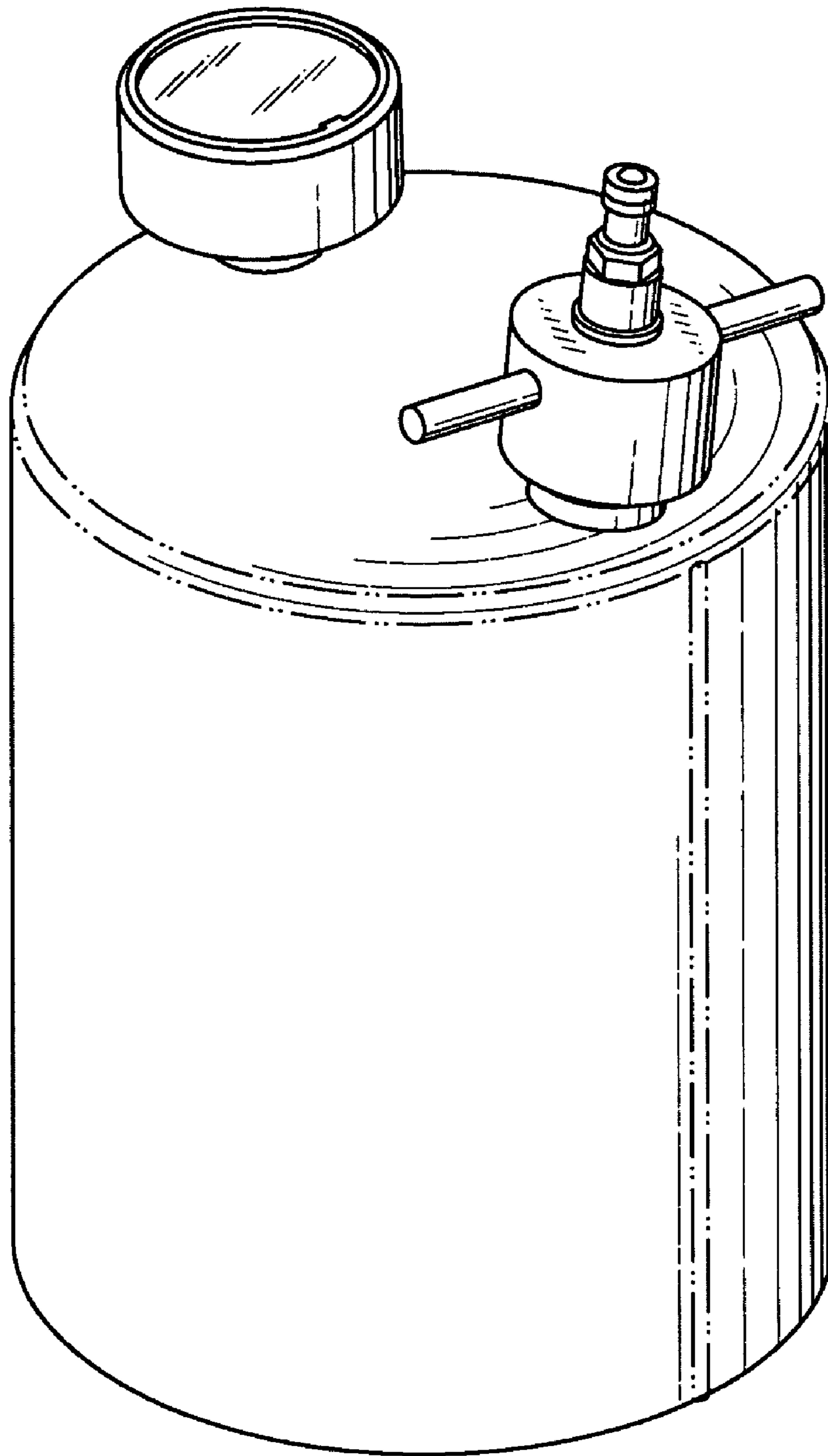


FIG. 2

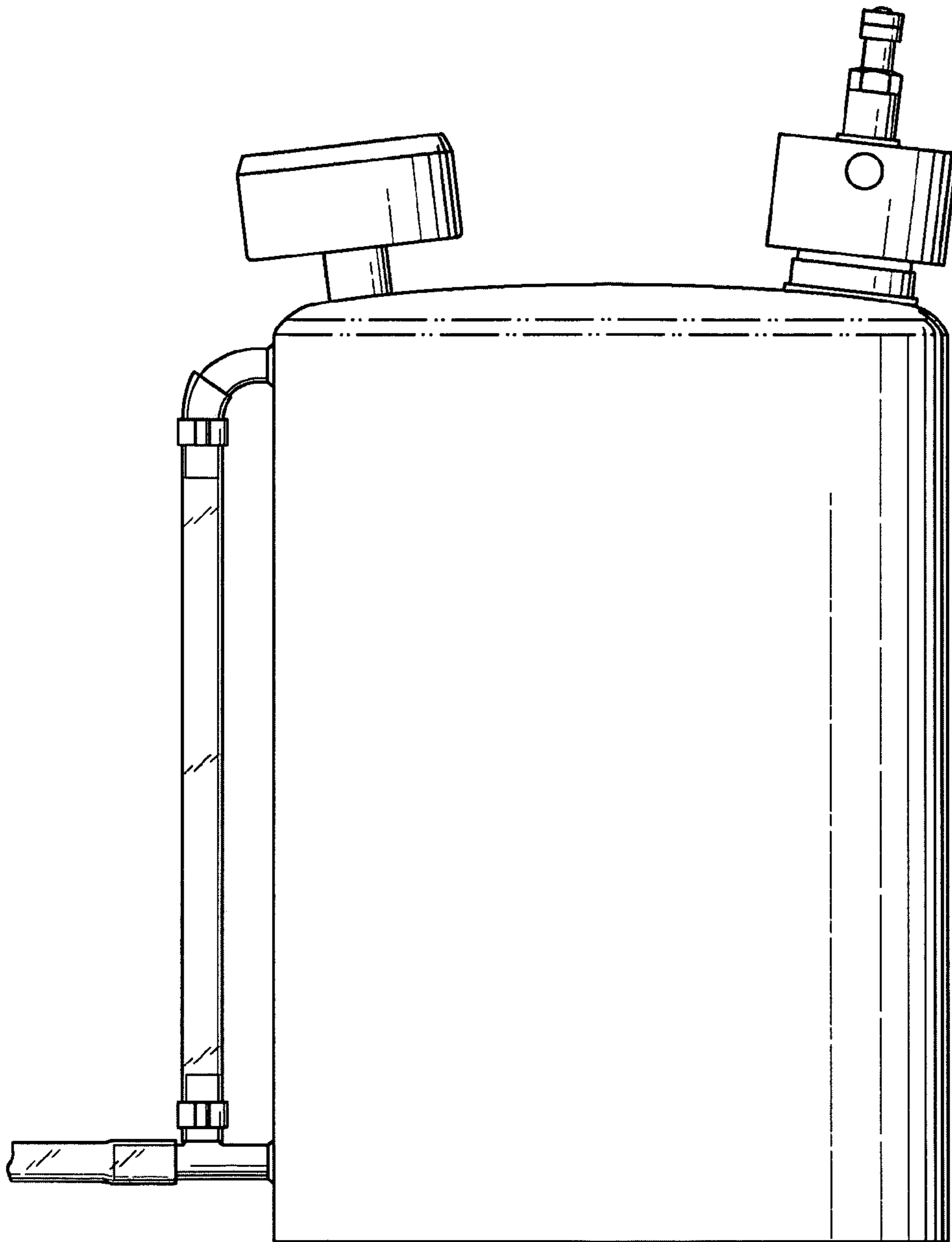


FIG. 3

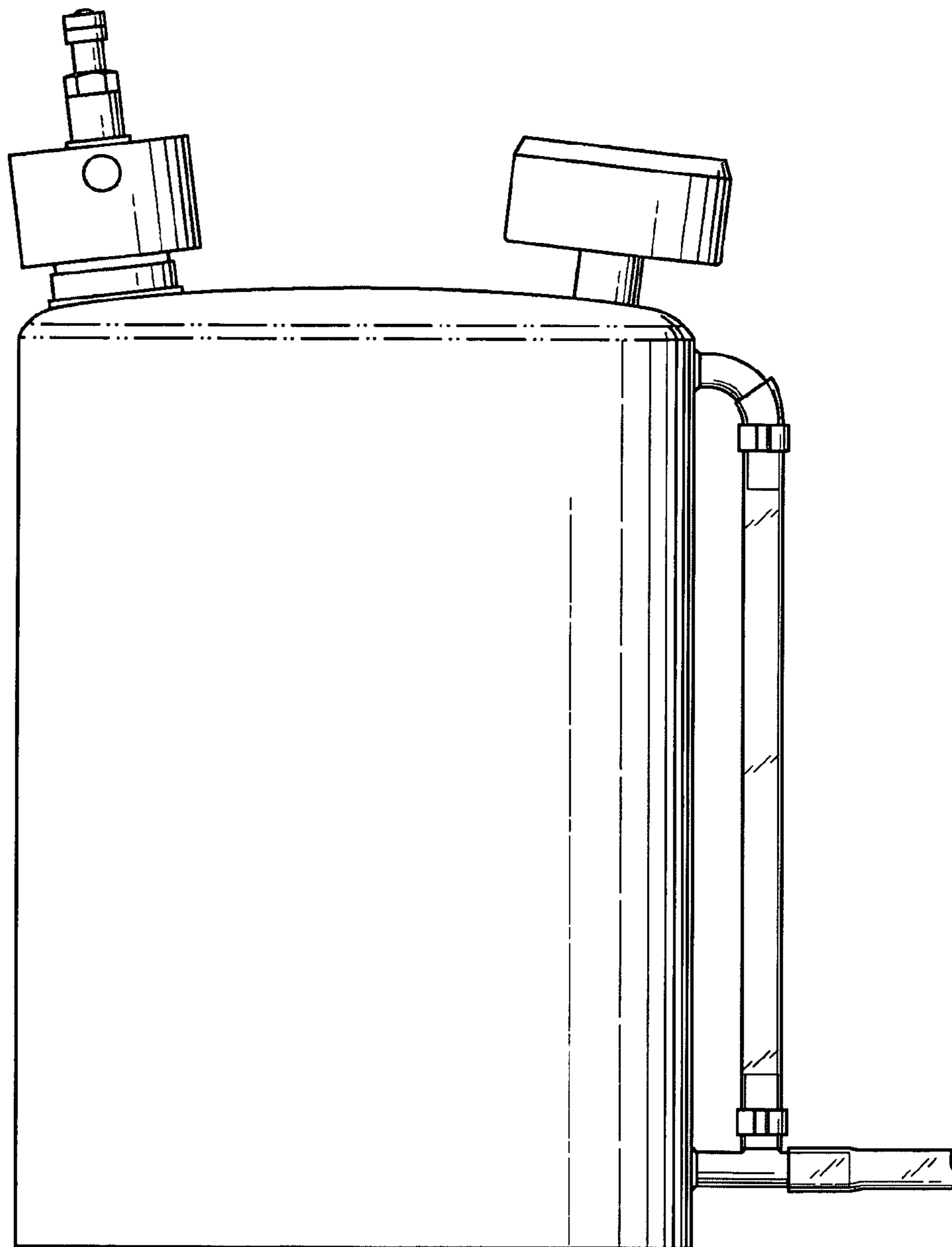


FIG. 4

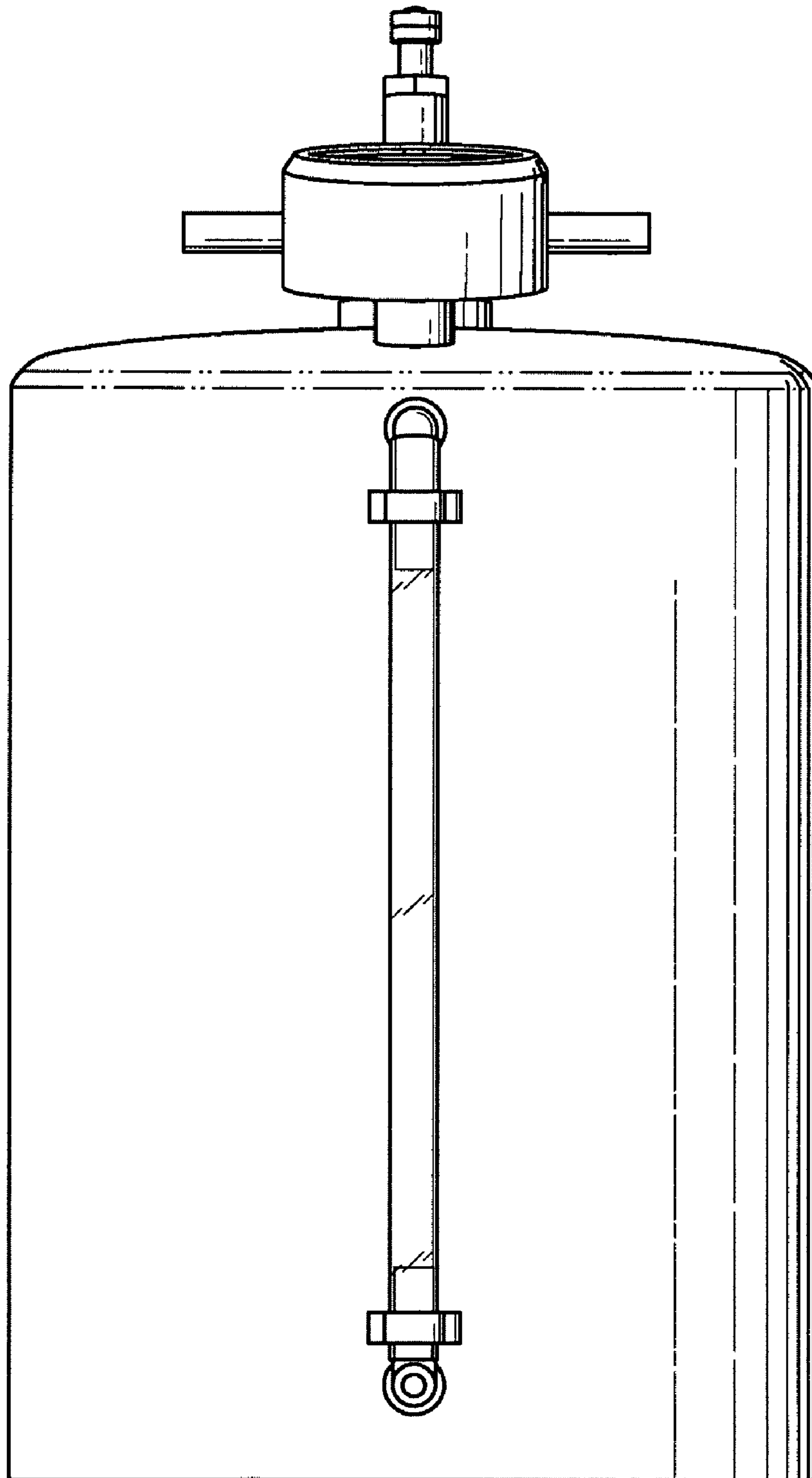


FIG. 5

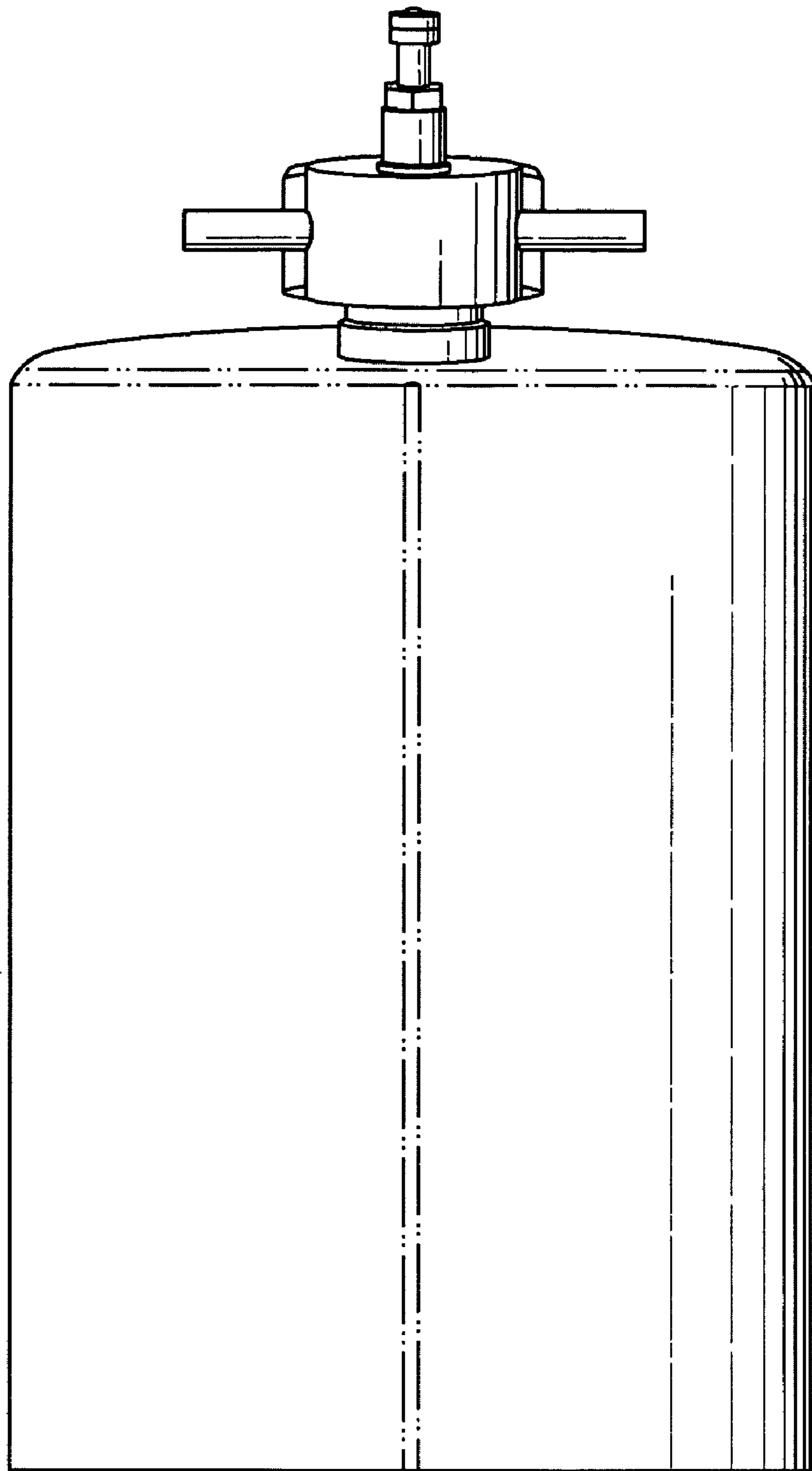


FIG. 6

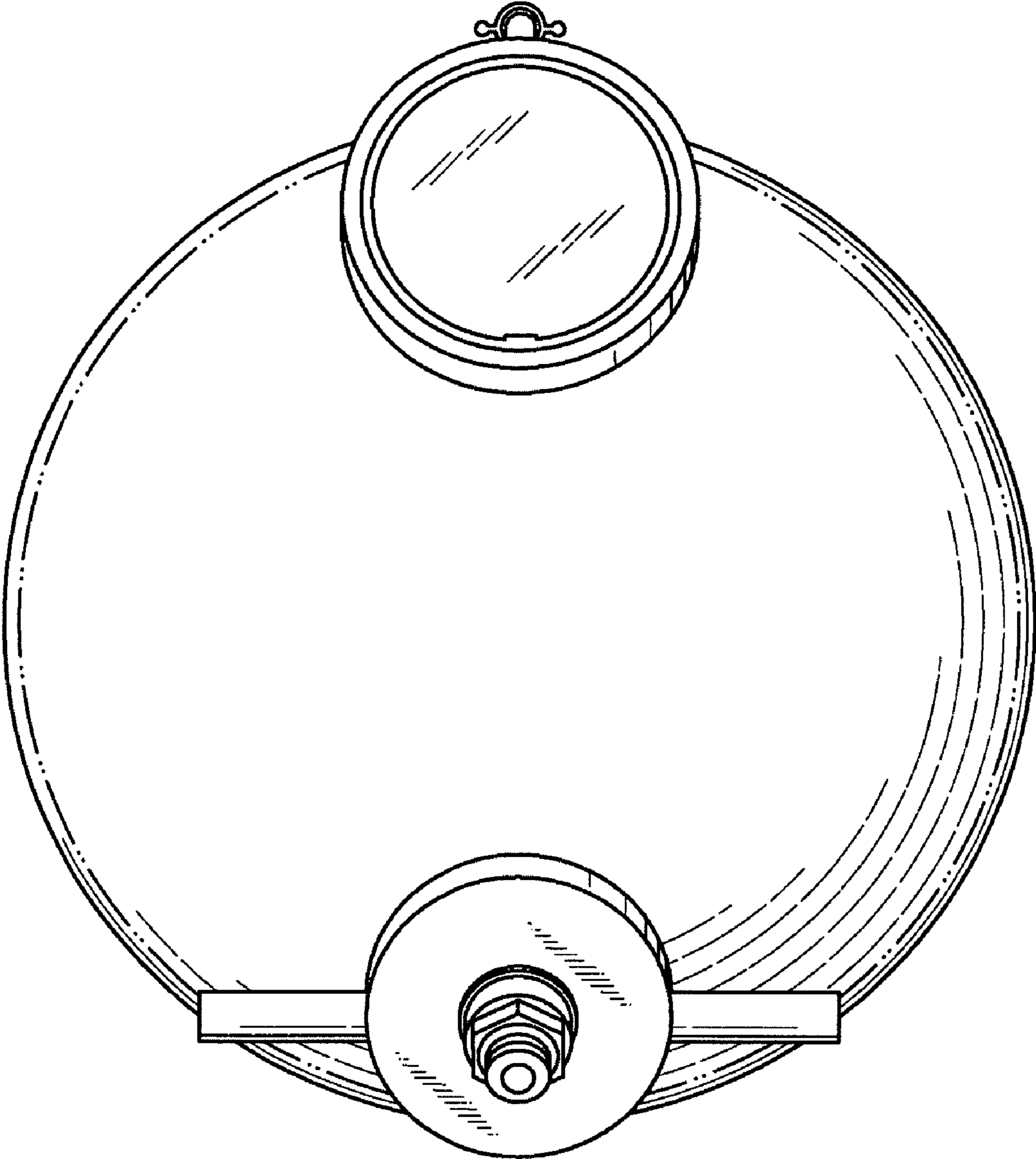


FIG. 7



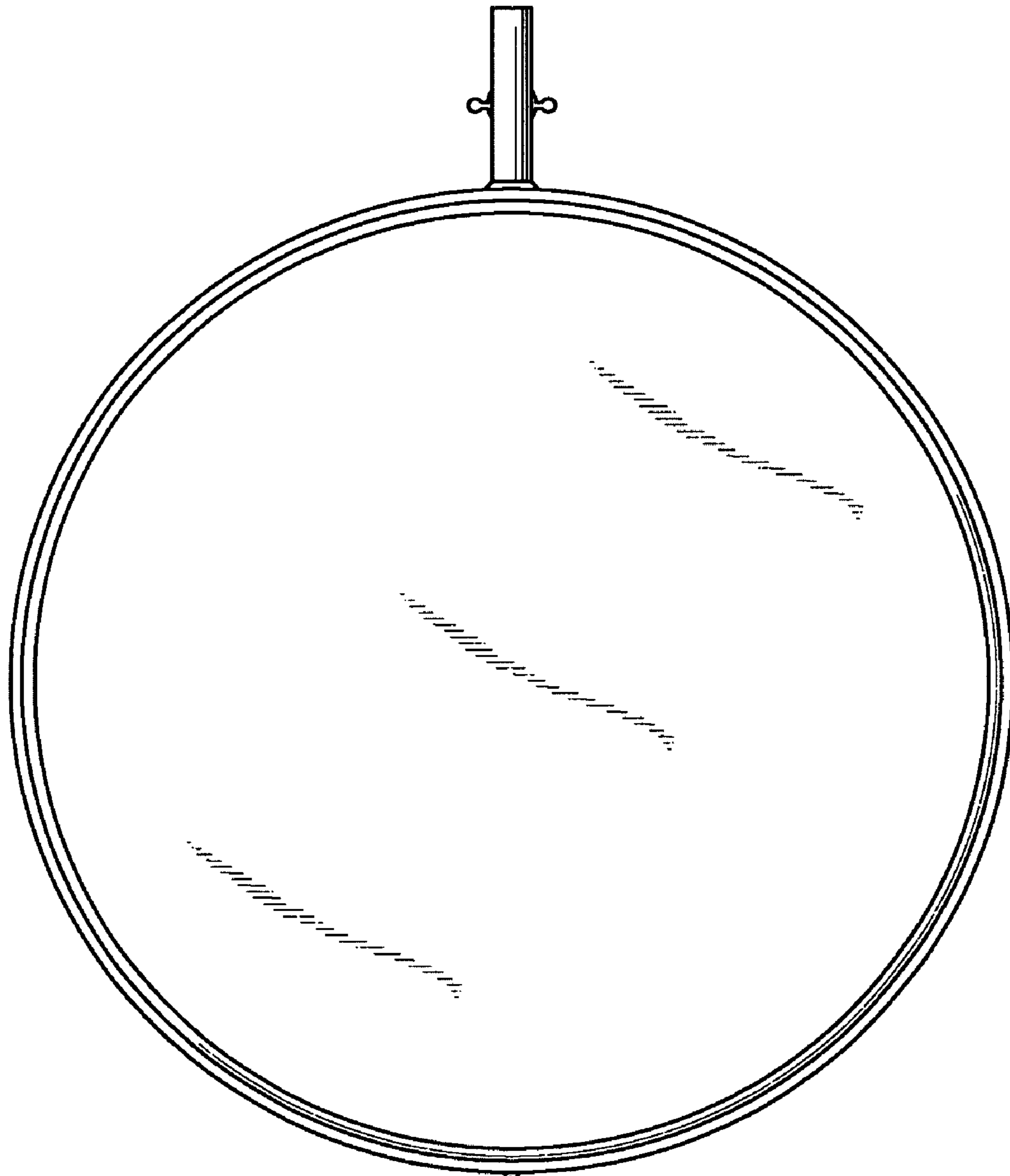


FIG. 8