



US00D565719S

(12) **United States Design Patent**
Cheng

(10) **Patent No.:** **US D565,719 S**
(45) **Date of Patent:** **** Apr. 1, 2008**

(54) **KITCHEN VENTILATION HOOD**

DESCRIPTION

- (76) Inventor: **Fu-Tung Cheng**, 1190 Neilson St., Albany, CA (US) 94706
- (**) Term: **14 Years**
- (21) Appl. No.: **29/270,728**
- (22) Filed: **Jan. 3, 2007**
- (51) **LOC (8) Cl.** **23-04**
- (52) **U.S. Cl.** **D23/372**
- (58) **Field of Classification Search** D23/372, D23/371, 370; D7/406; 126/299 D, 299 R
See application file for complete search history.

(56) **References Cited**

U.S. PATENT DOCUMENTS

D444,221 S *	6/2001	Strand et al.	D23/372
D450,379 S *	11/2001	Strand et al.	D23/372
D532,508 S *	11/2006	Cheng	D23/372
D532,509 S *	11/2006	Cheng	D23/372

* cited by examiner

Primary Examiner—Lisa Lichtenstein

(57) **CLAIM**

The ornamental design for a kitchen ventilation hood, as shown and described.

The ventilation hood features a slow, curving canopy that elegantly hides from view a spacious storage compartment. A slender, sweeping rail finishes both the look and of this design.

FIG. 1 is an upper front right perspective view showing my new design in closed condition;

FIG. 2 is a front elevational view in closed condition

FIG. 3 is a left side elevational view, the right side is a mirror image in closed condition;

FIG. 4 is a rear elevational view in closed condition;

FIG. 5 is a top plan view in closed condition;

FIG. 6 is a bottom plan view in closed condition;

FIG. 7 is an upper front right perspective view in opened condition;

FIG. 8 is a front elevational view in opened condition;

FIG. 9 is a left side elevational view, the right side is a mirror image in opened condition;

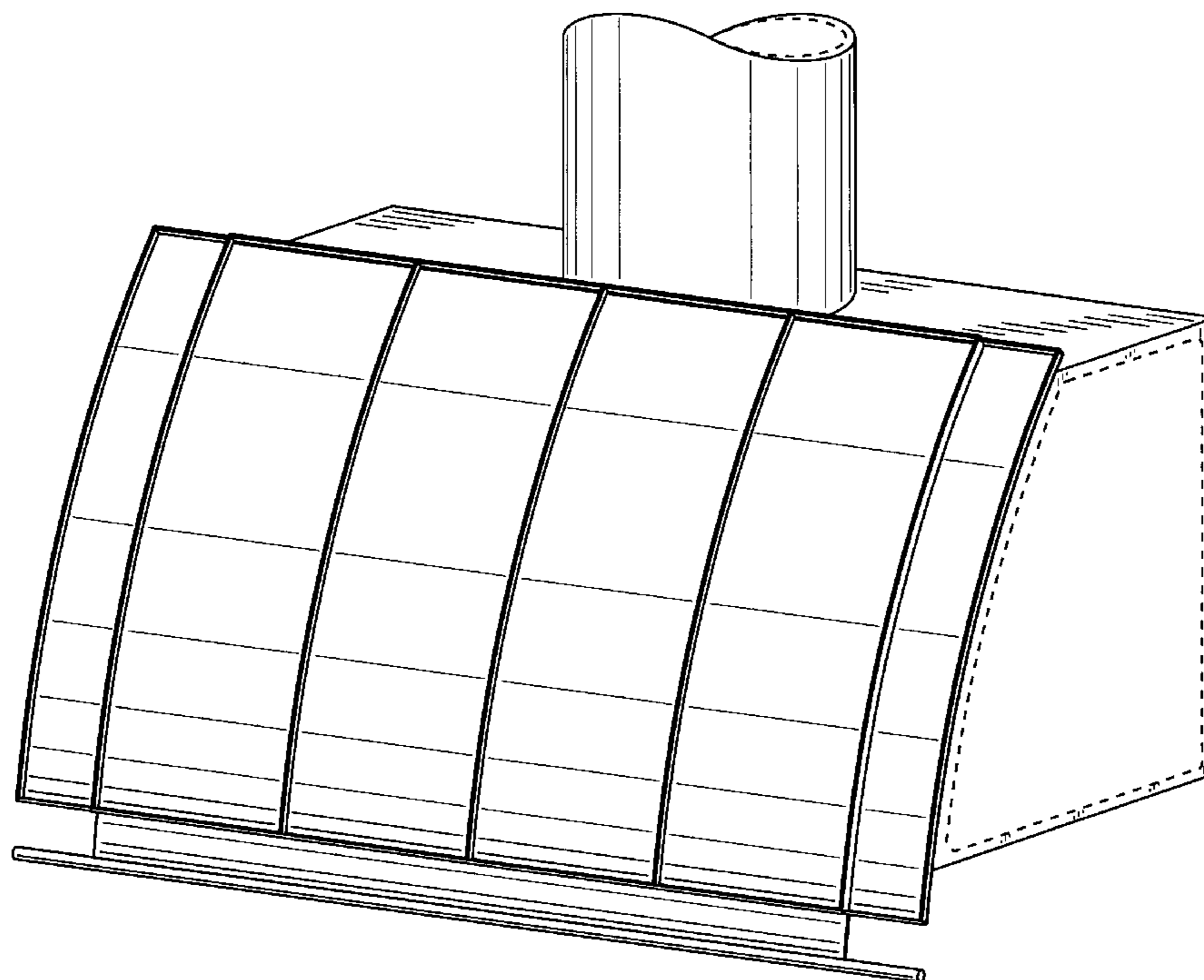
FIG. 10 is a rear elevational view in opened condition;

FIG. 11 is a top plan view in opened condition; and,

FIG. 12 is a bottom plan view in opened condition.

The broken line showing of the interior of the central rear panel, the interior of the top surface of the vent and two circular apertures on the bottom of a kitchen hood is included for the purpose of illustrating environmental structure and forms no part of the claimed design.

1 Claim, 12 Drawing Sheets



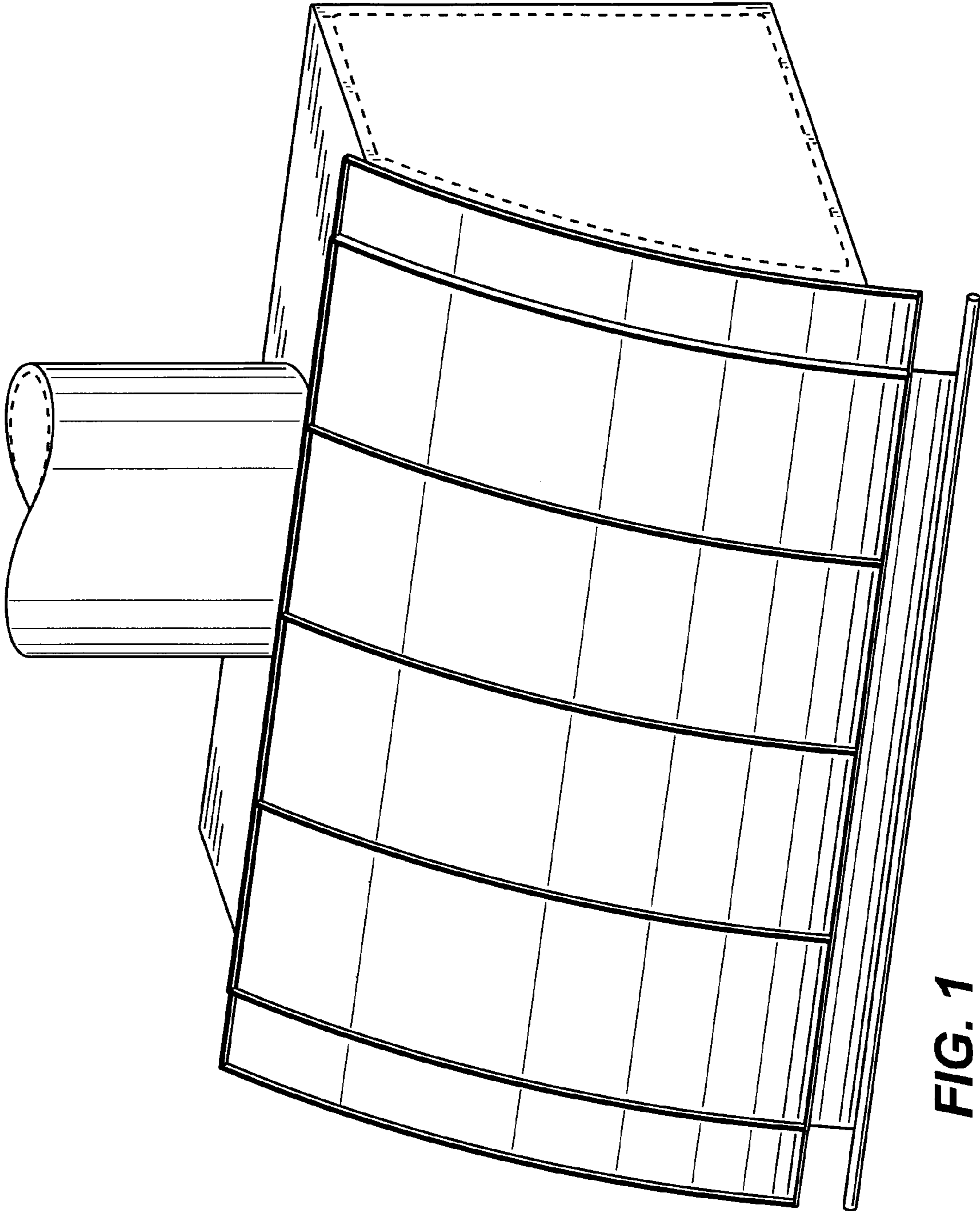


FIG. 1

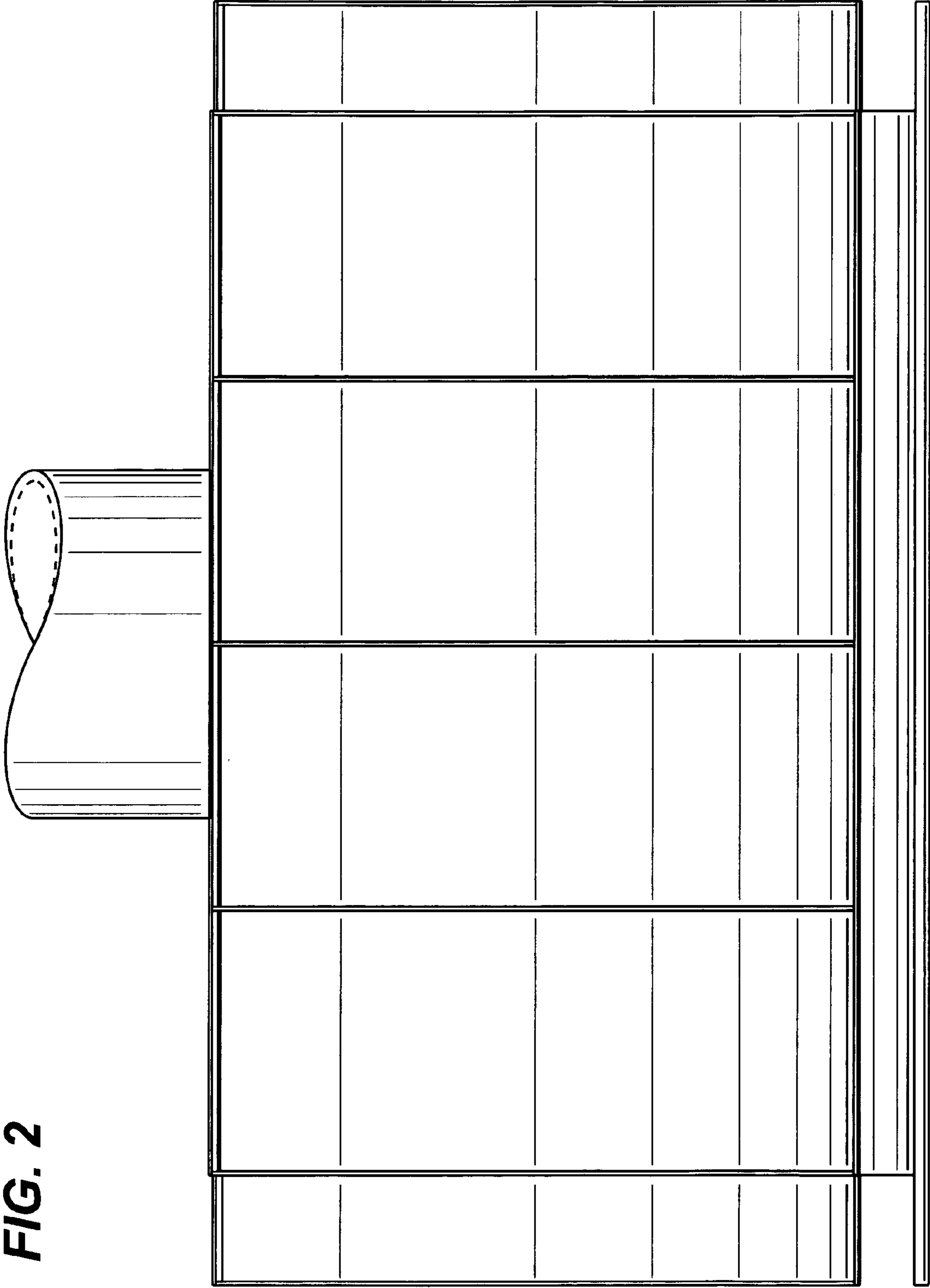


FIG. 2

FIG. 3

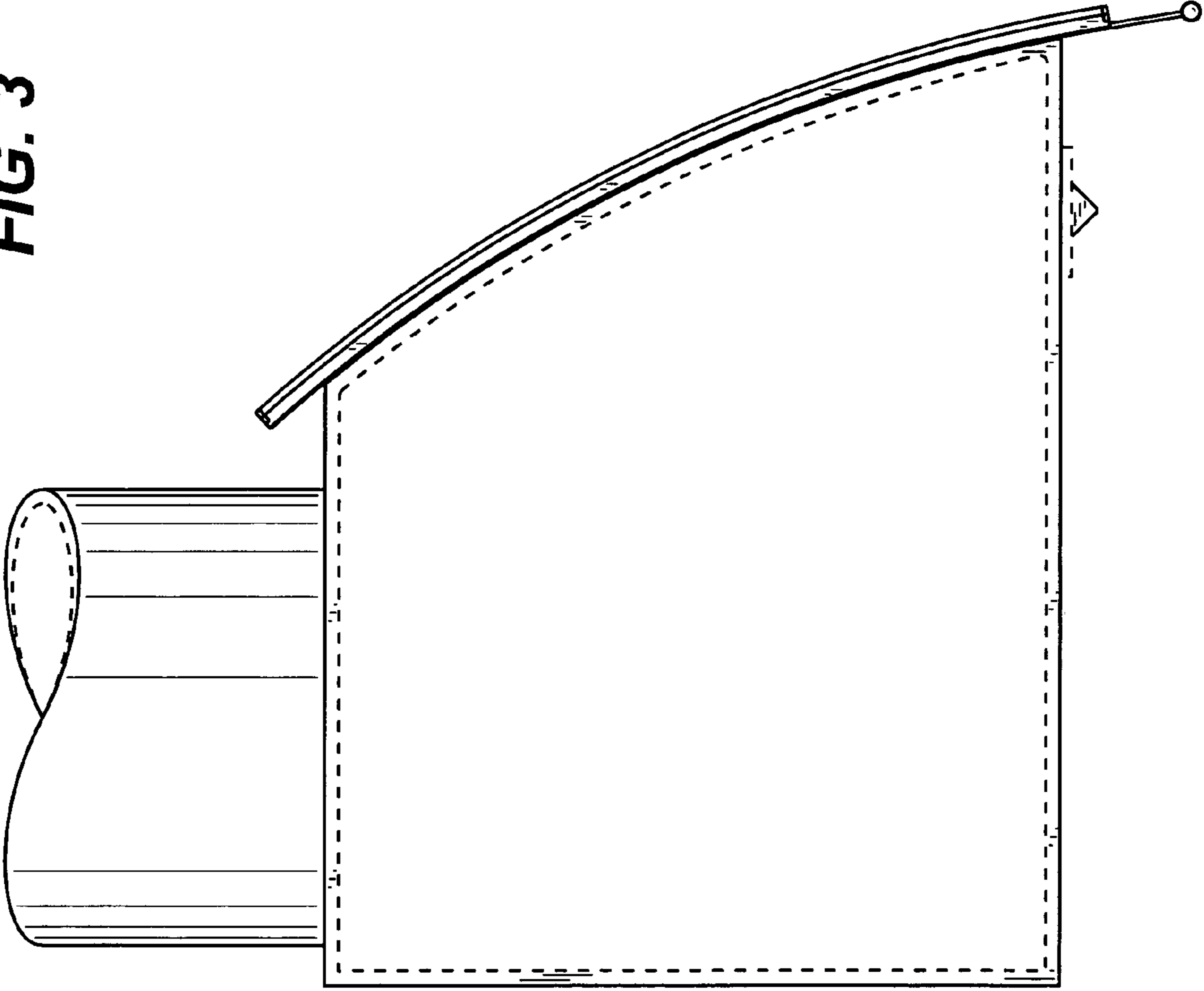
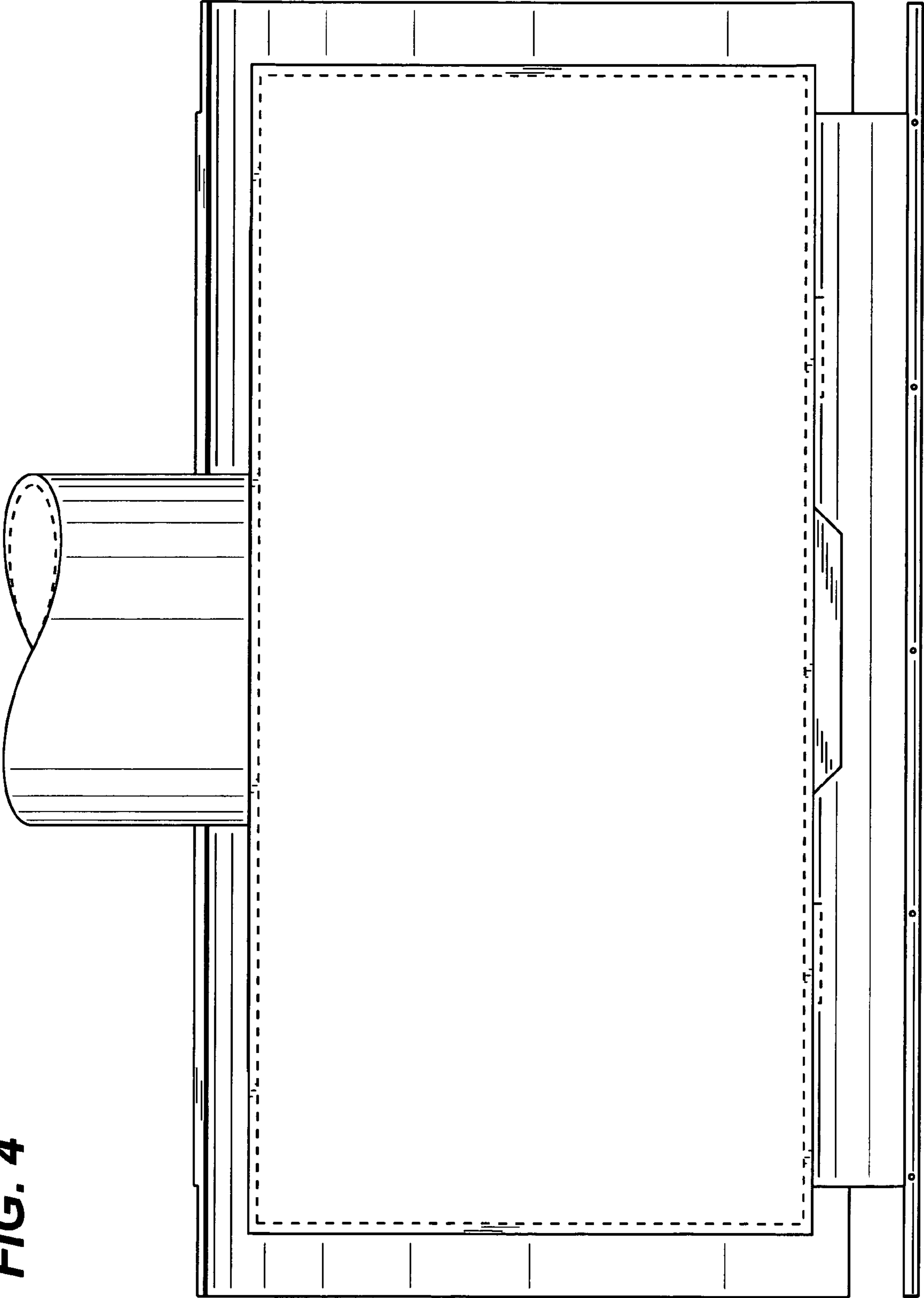


FIG. 4



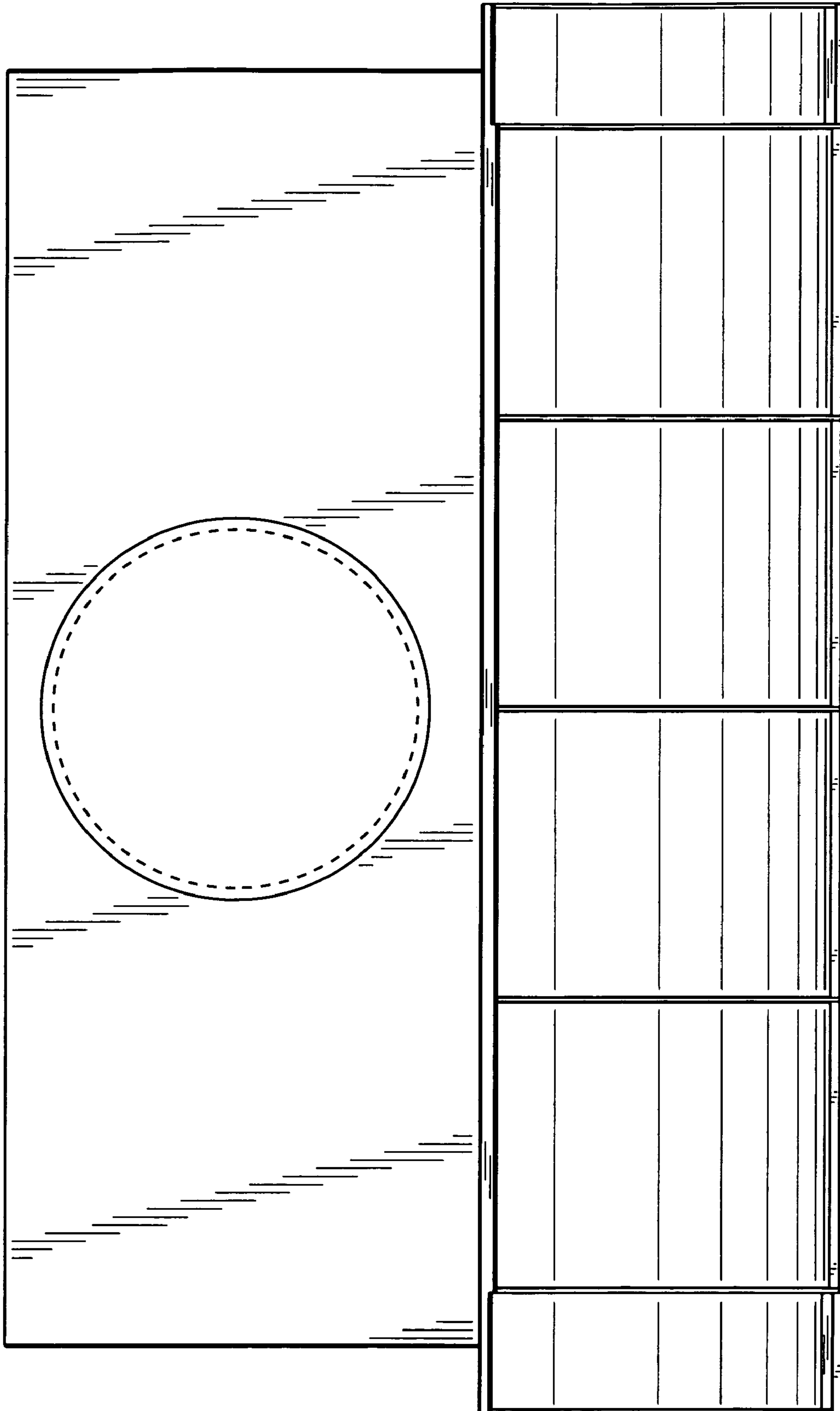


FIG. 5

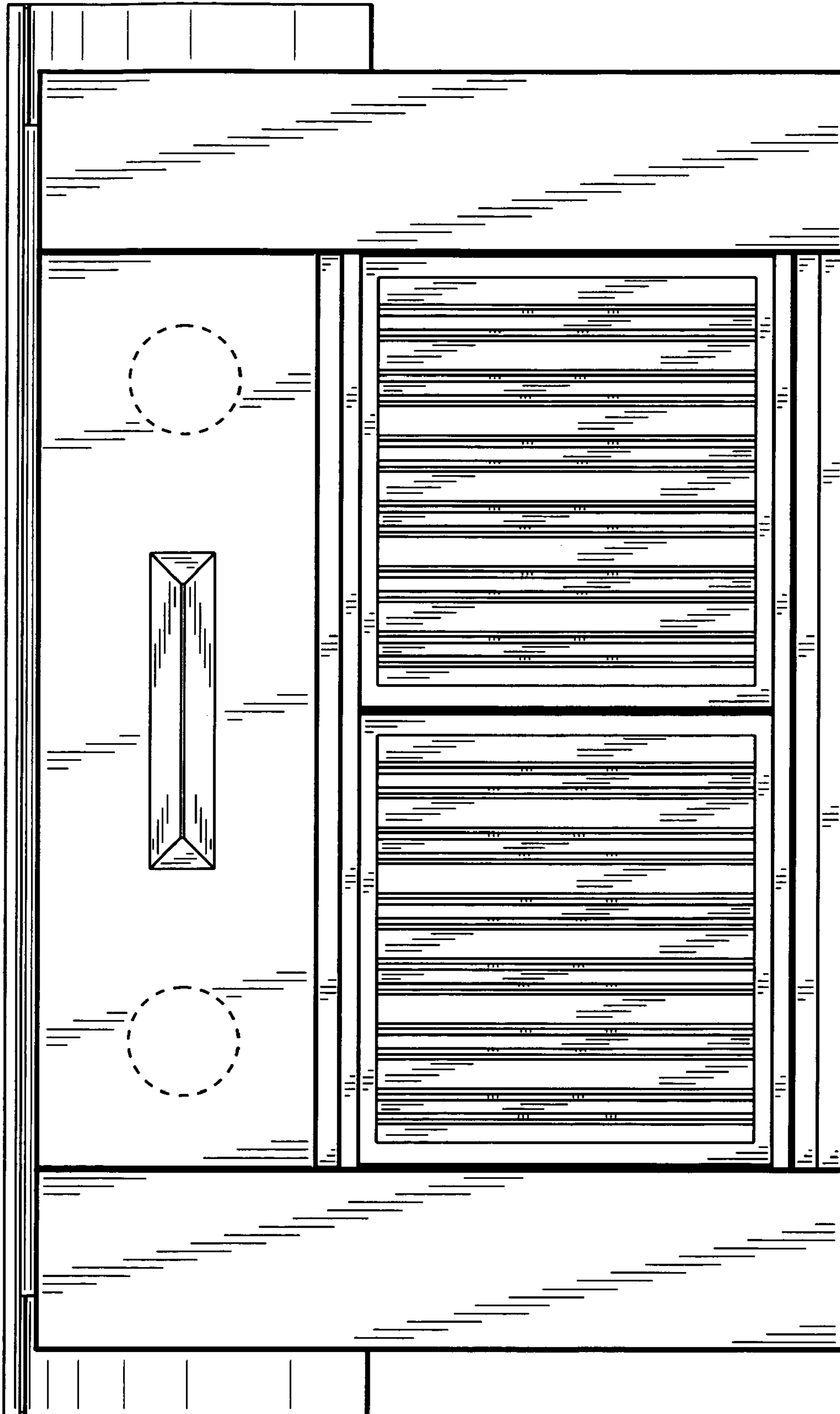


FIG. 6

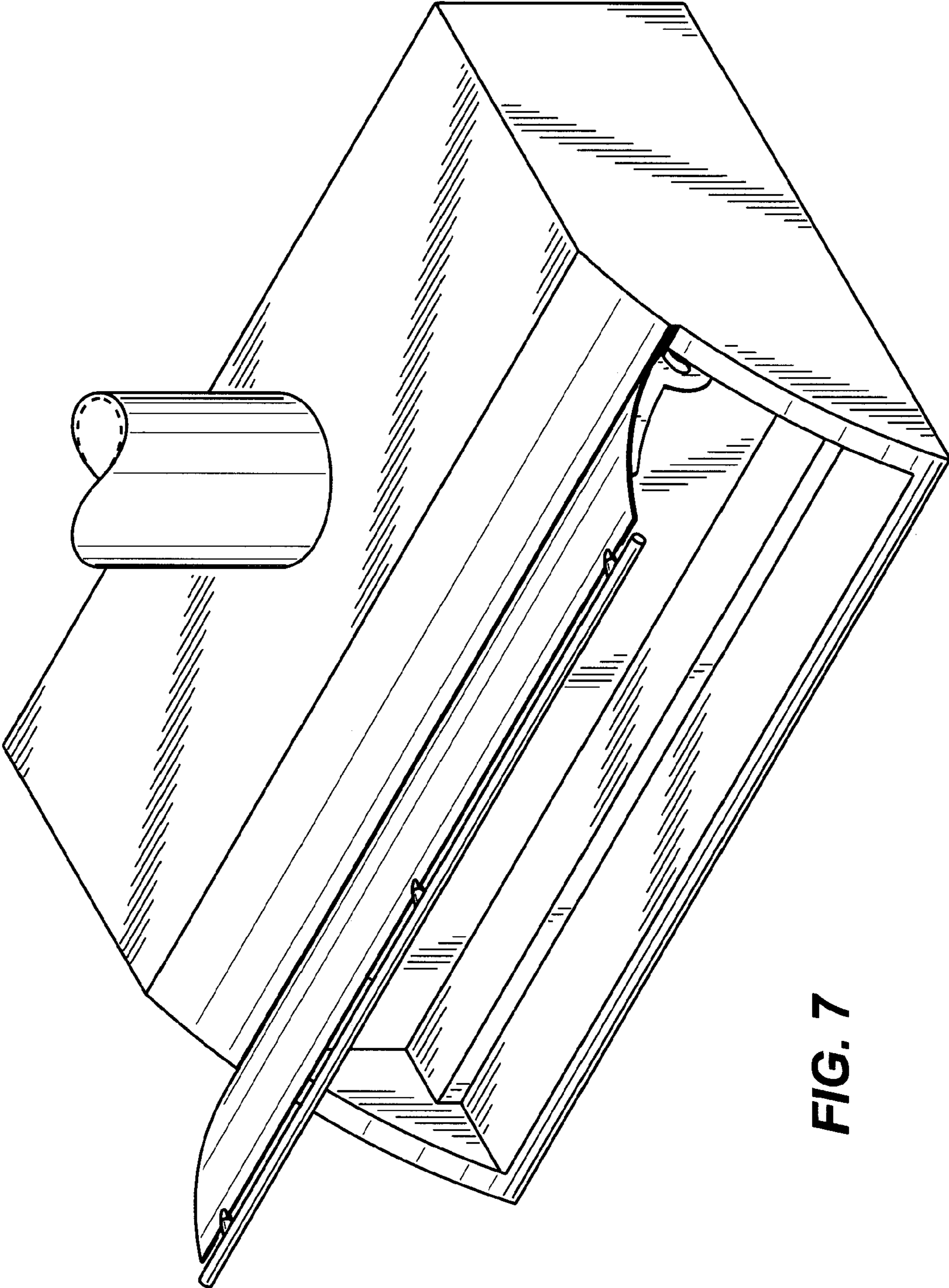


FIG. 7

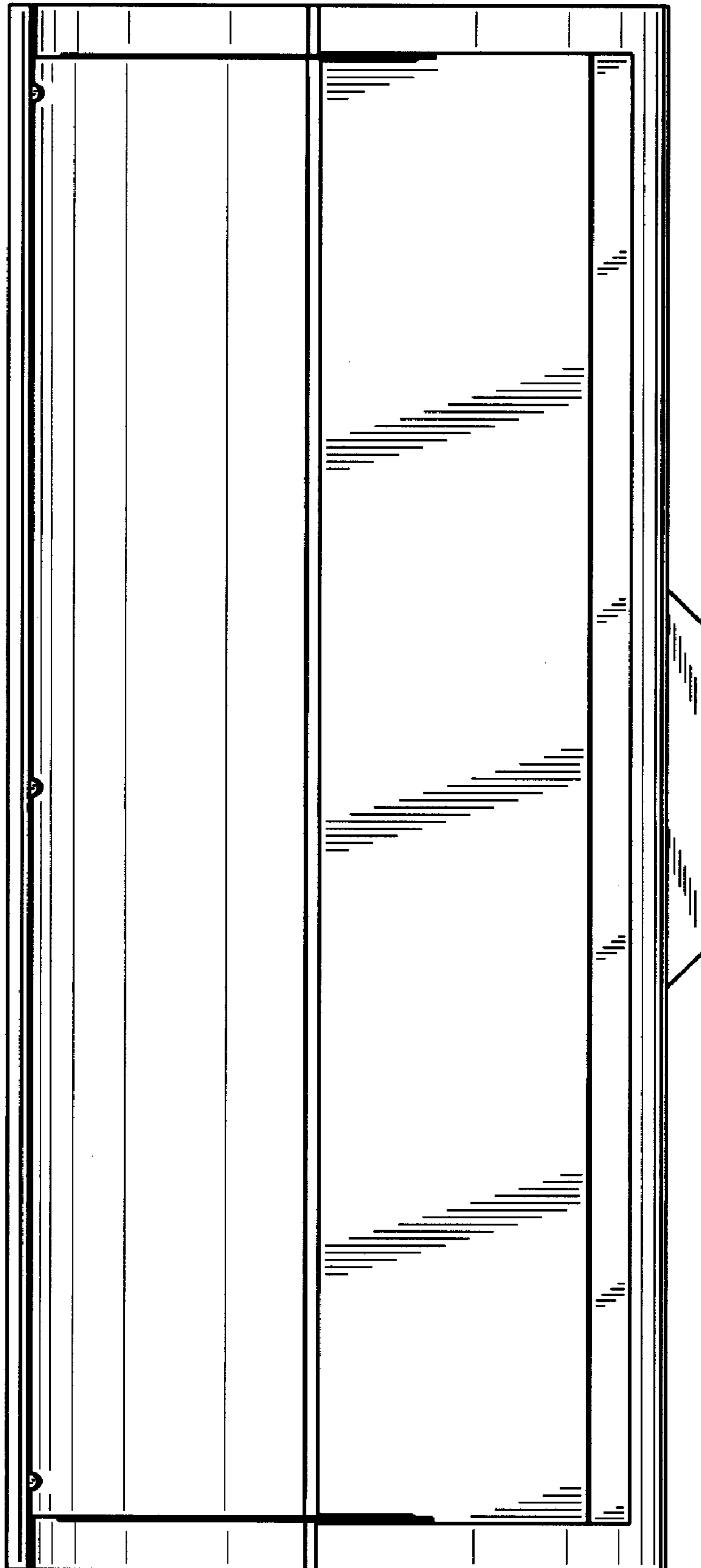


FIG. 8

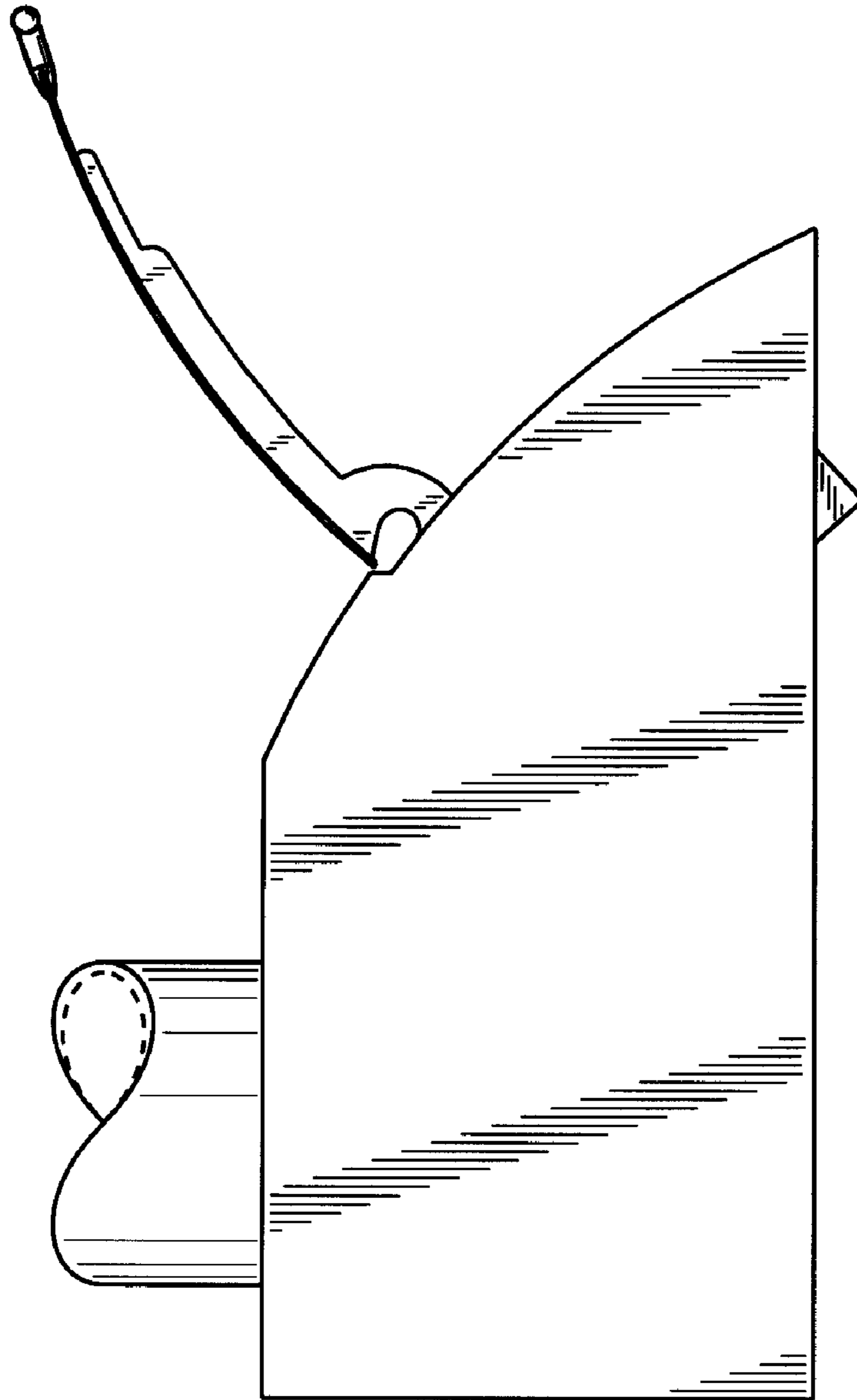


FIG. 9

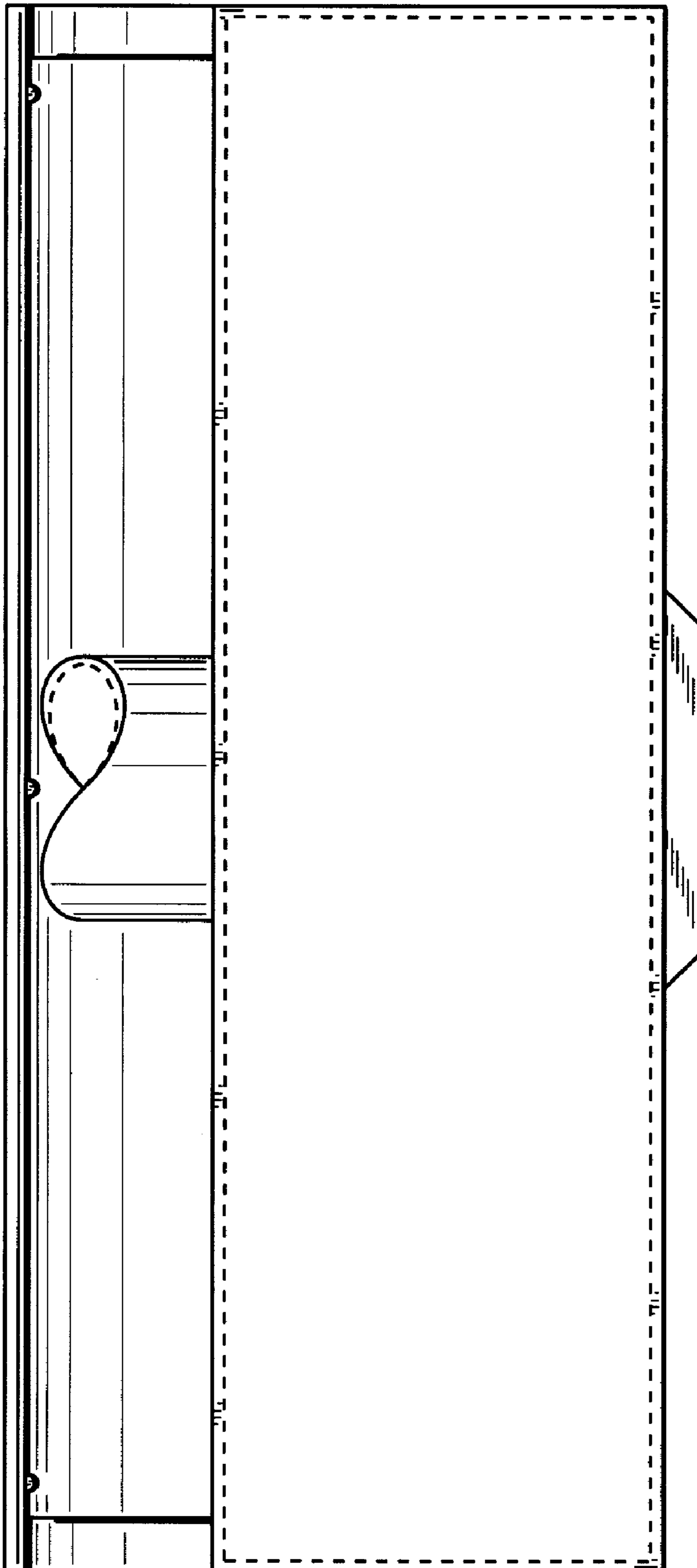


FIG. 10

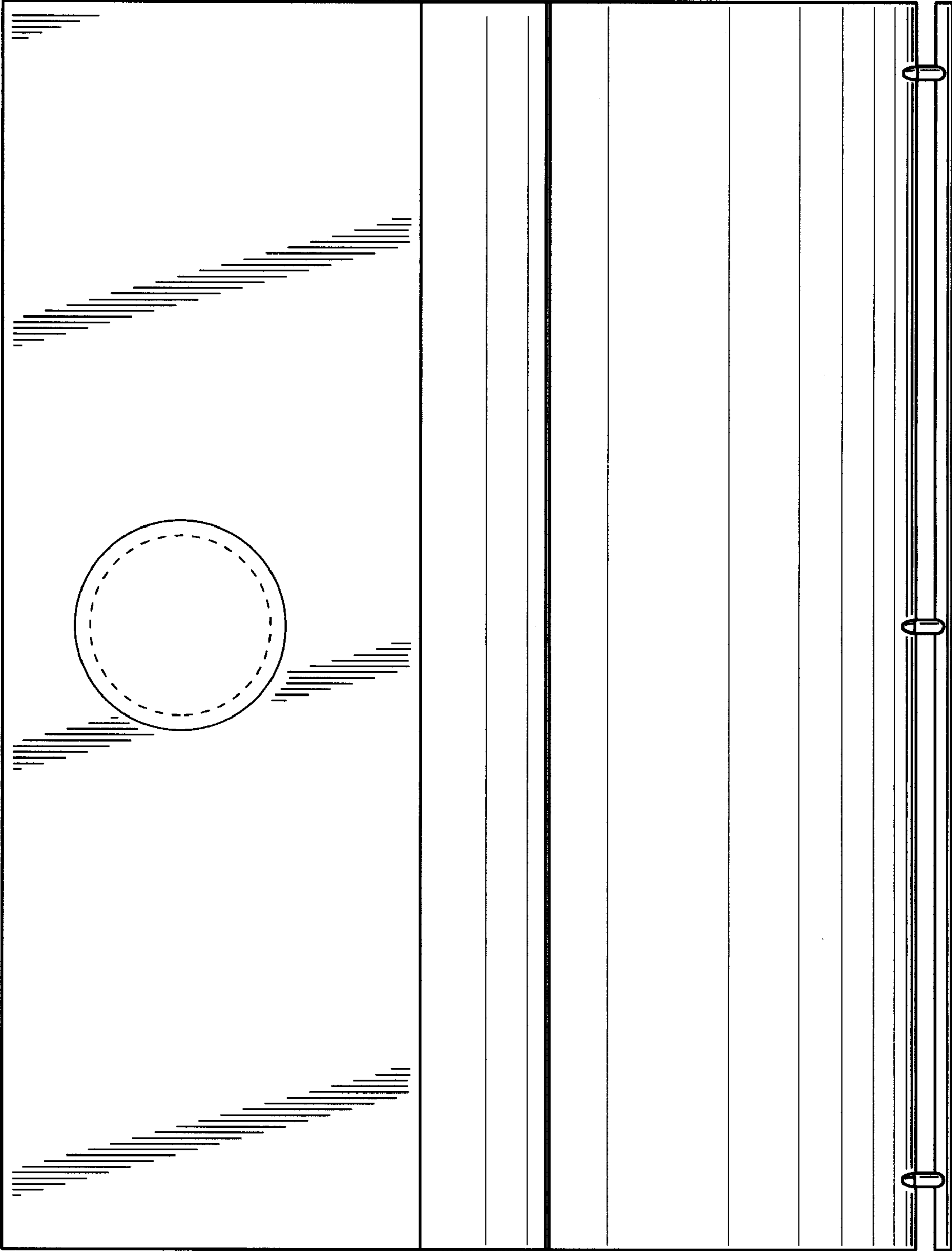


FIG. 11

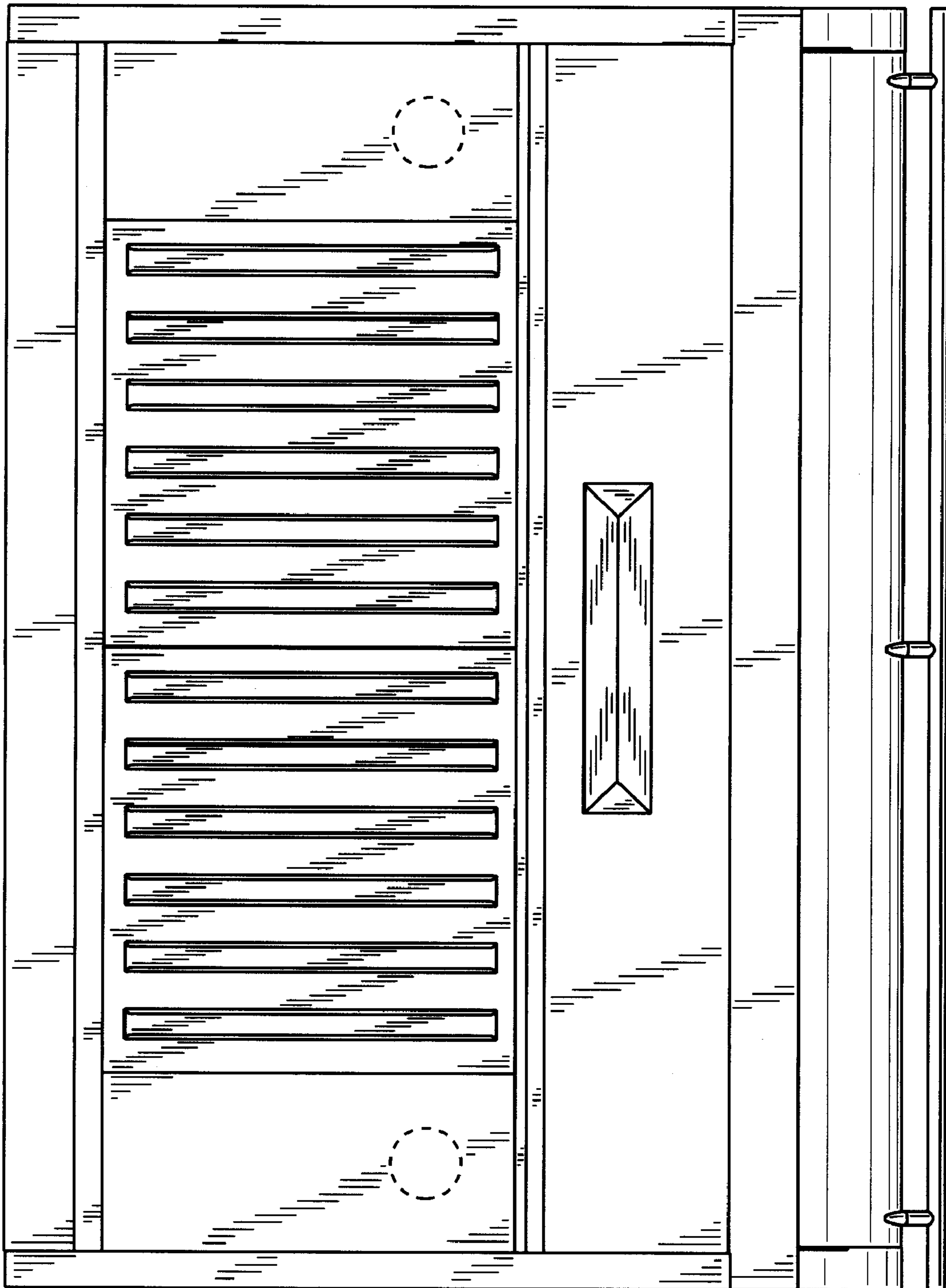


FIG. 12