



US00D565712S

(12) **United States Design Patent**  
**Nagahori et al.**

(10) **Patent No.:** **US D565,712 S**

(45) **Date of Patent:** **\*\* Apr. 1, 2008**

(54) **AIR-CONDITIONER**

(75) Inventors: **Masataka Nagahori**, Tokyo (JP);  
**Toshiaki Kikuta**, Tokyo (JP); **Takanori Miyake**, Tokyo (JP); **Hiroshi Asaoka**, Tokyo (JP); **Satoshi Arai**, Tokyo (JP)

(73) Assignee: **Mitsubishi Electric Corporation**, Tokyo (JP)

(\*\*) Term: **14 Years**

(21) Appl. No.: **29/269,147**

(22) Filed: **Nov. 22, 2006**

(30) **Foreign Application Priority Data**

May 23, 2006 (JP) ..... 2006-012978

(51) **LOC (8) Cl.** ..... **23-03**

(52) **U.S. Cl.** ..... **D23/351**

(58) **Field of Classification Search** ..... D23/351-354;  
312/236; 62/259.1, 259.4, 262, 263, 304;  
454/330, 331, 349, 350

See application file for complete search history.

(56) **References Cited**

**U.S. PATENT DOCUMENTS**

D368,305 S \* 3/1996 Shigenari et al. .... D23/351  
D417,910 S \* 12/1999 Nonaka ..... D23/351  
D420,116 S \* 2/2000 Kobayashi ..... D23/351  
D426,626 S \* 6/2000 Nonaka ..... D23/351  
D439,317 S \* 3/2001 Kobayashi ..... D23/351  
D446,292 S \* 8/2001 Asakura et al. .... D23/351

D448,073 S \* 9/2001 Wakasa ..... D23/351  
D449,095 S \* 10/2001 Yanagida et al. .... D23/351  
D450,823 S \* 11/2001 Kobayashi ..... D23/351  
D451,586 S \* 12/2001 Oya et al. .... D23/351  
D454,188 S \* 3/2002 Nonaka ..... D23/351  
D465,016 S \* 10/2002 Nanjo et al. .... D23/351  
D487,142 S \* 2/2004 Yoo ..... D23/351

**FOREIGN PATENT DOCUMENTS**

JP 998040 S 12/1997  
JP 998040-1 S 8/1999

\* cited by examiner

*Primary Examiner*—Brian N Vinson

(74) *Attorney, Agent, or Firm*—Sughrue Mion, PLLC

(57) **CLAIM**

The ornamental design for an air-conditioner, as shown and described.

**DESCRIPTION**

FIG. 1 is a front, bottom and right side perspective view of an air-conditioner, showing our new design;

FIG. 2 is a front elevational view thereof;

FIG. 3 is a rear elevational view thereof;

FIG. 4 is a top plan view thereof;

FIG. 5 is a bottom plan view thereof;

FIG. 6 is a left side elevational view thereof; and,

FIG. 7 is a right side elevational view thereof.

**1 Claim, 4 Drawing Sheets**

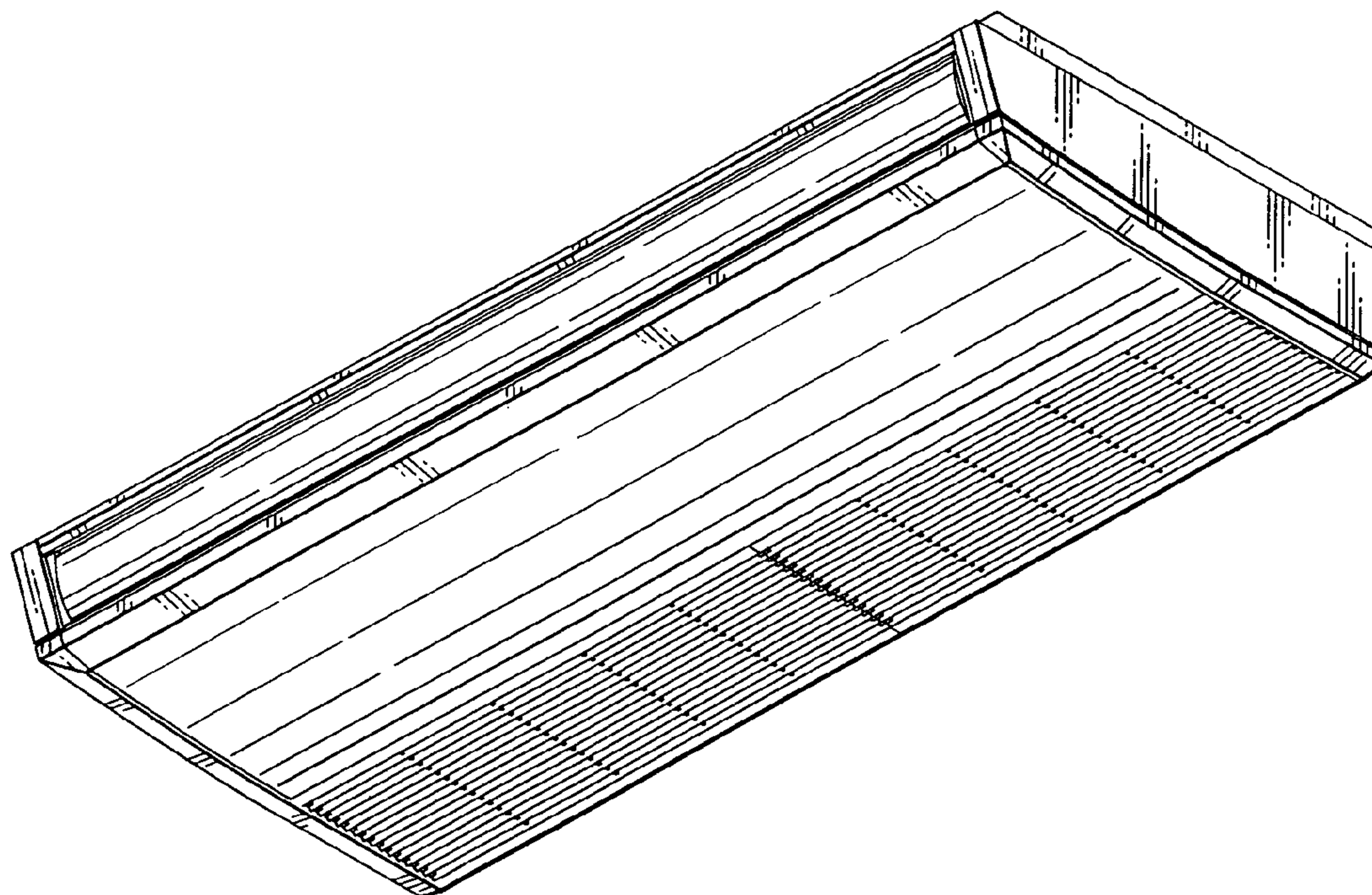


FIG.1

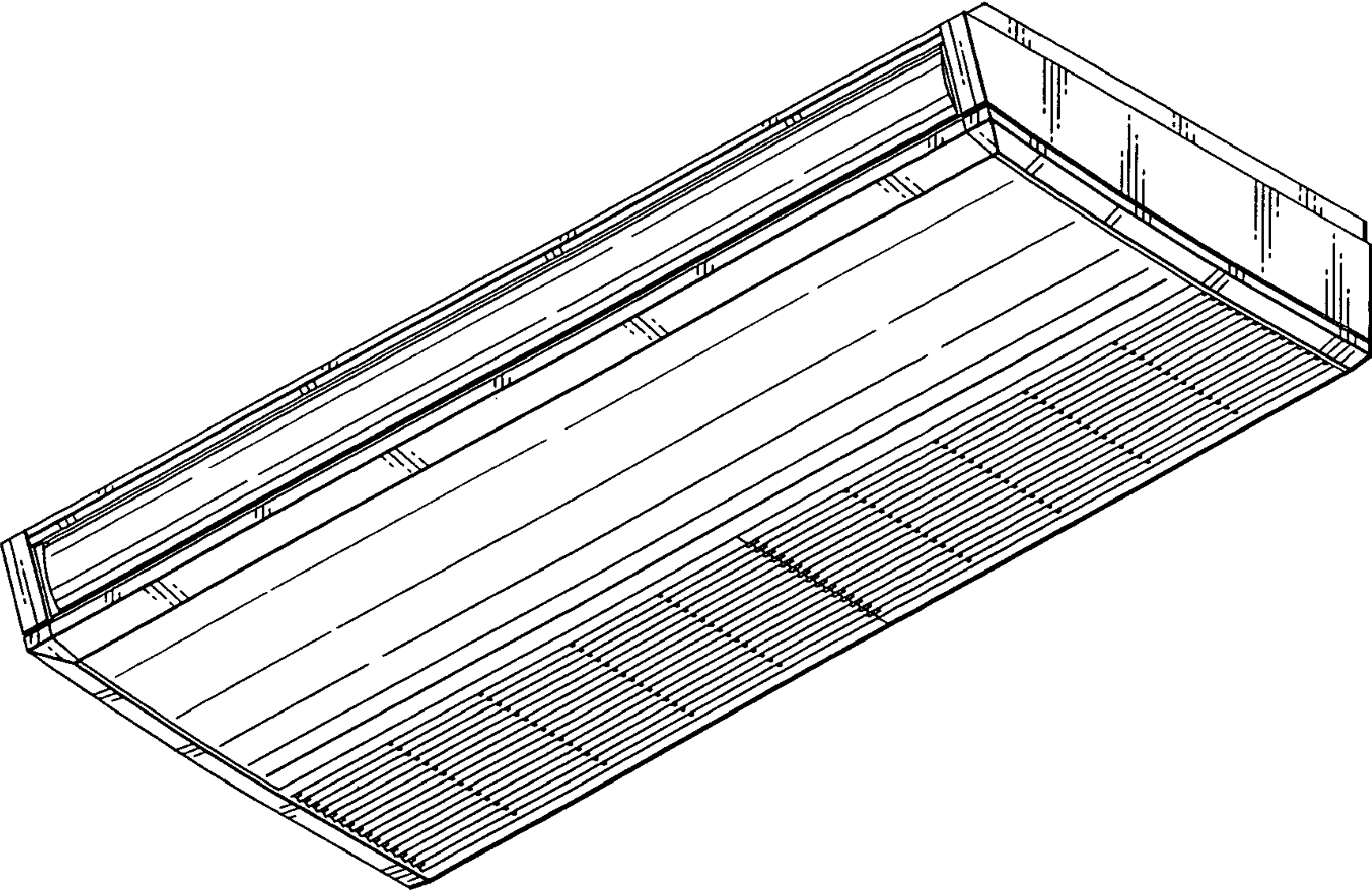


FIG.2

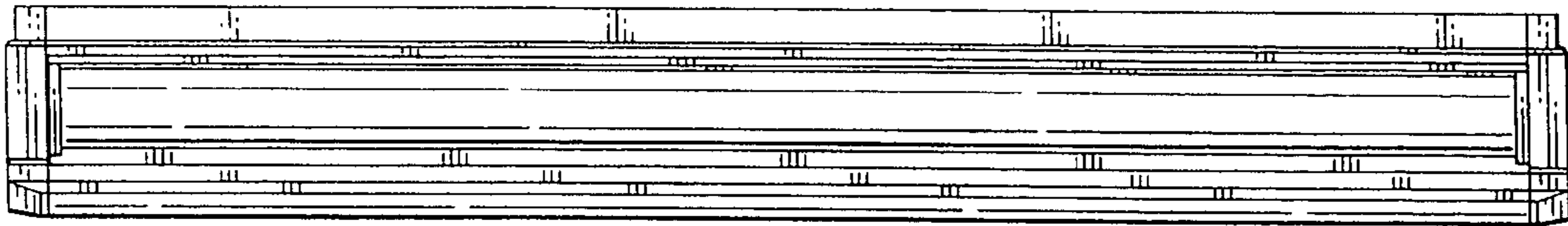


FIG.3

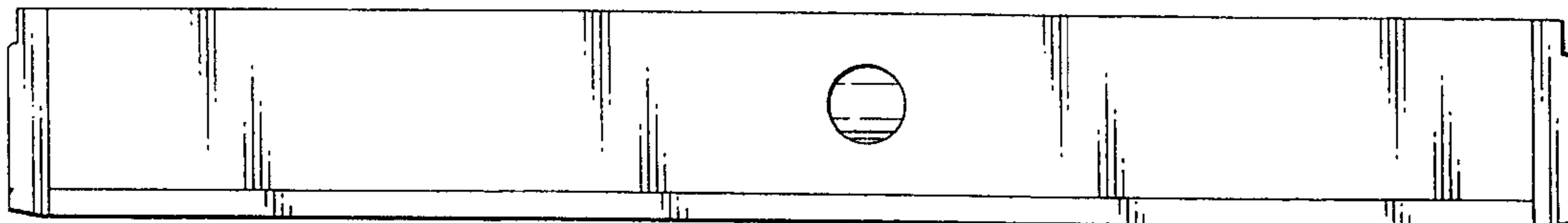


FIG.4

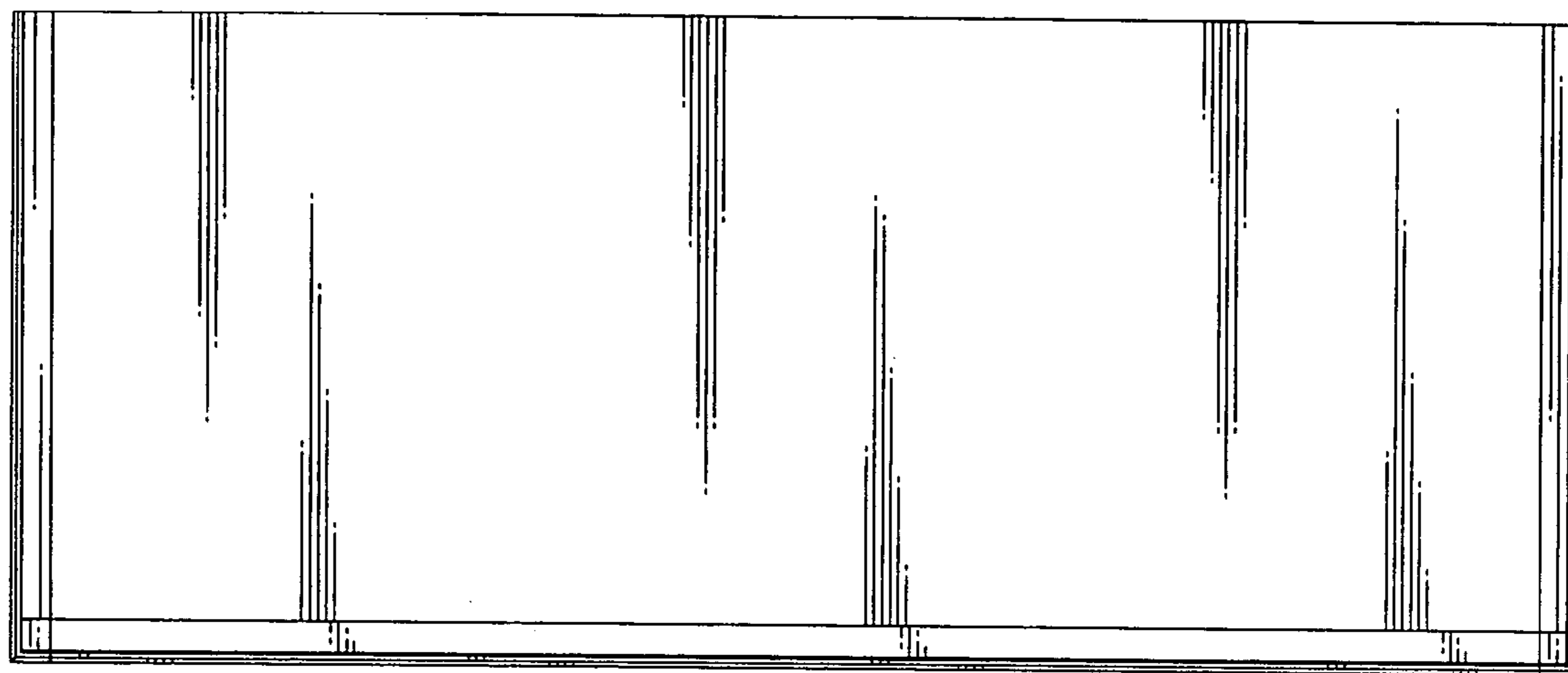


FIG.5

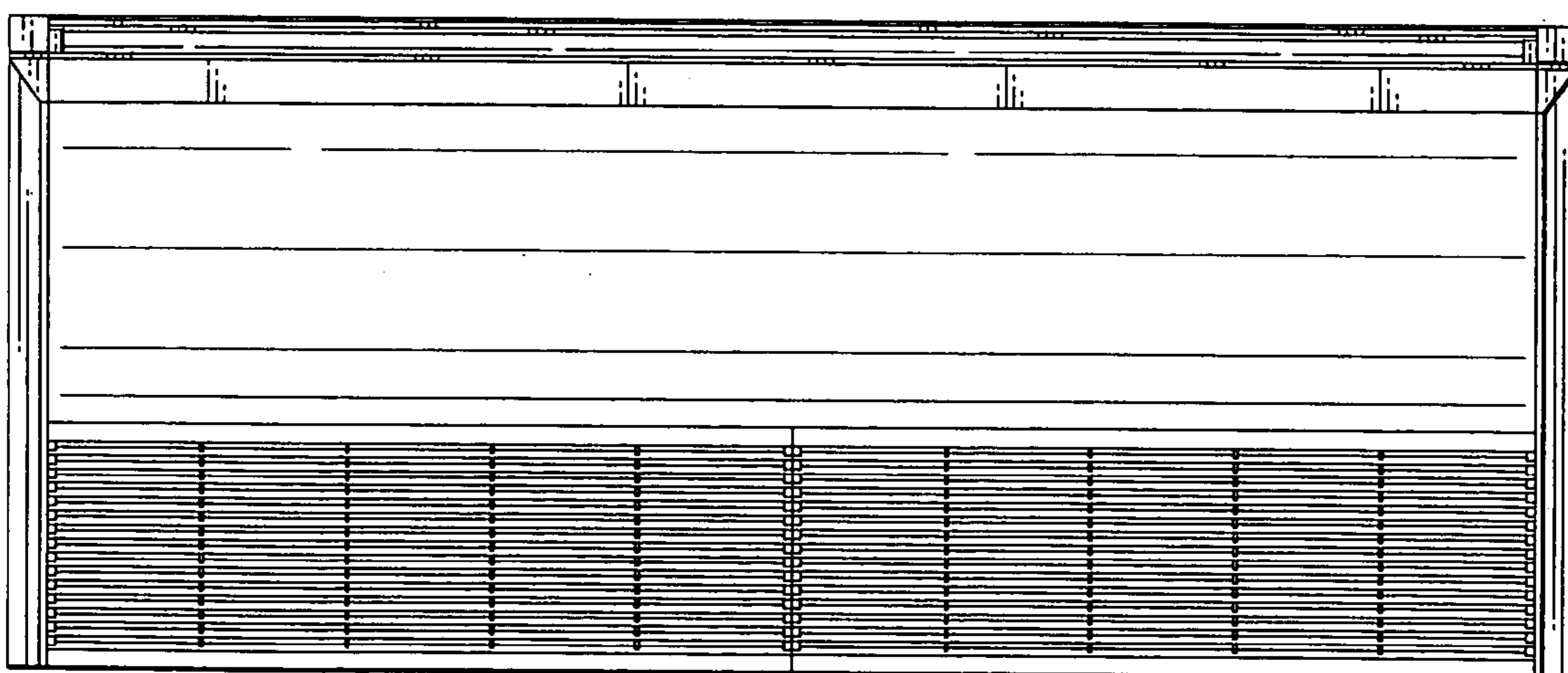


FIG.6

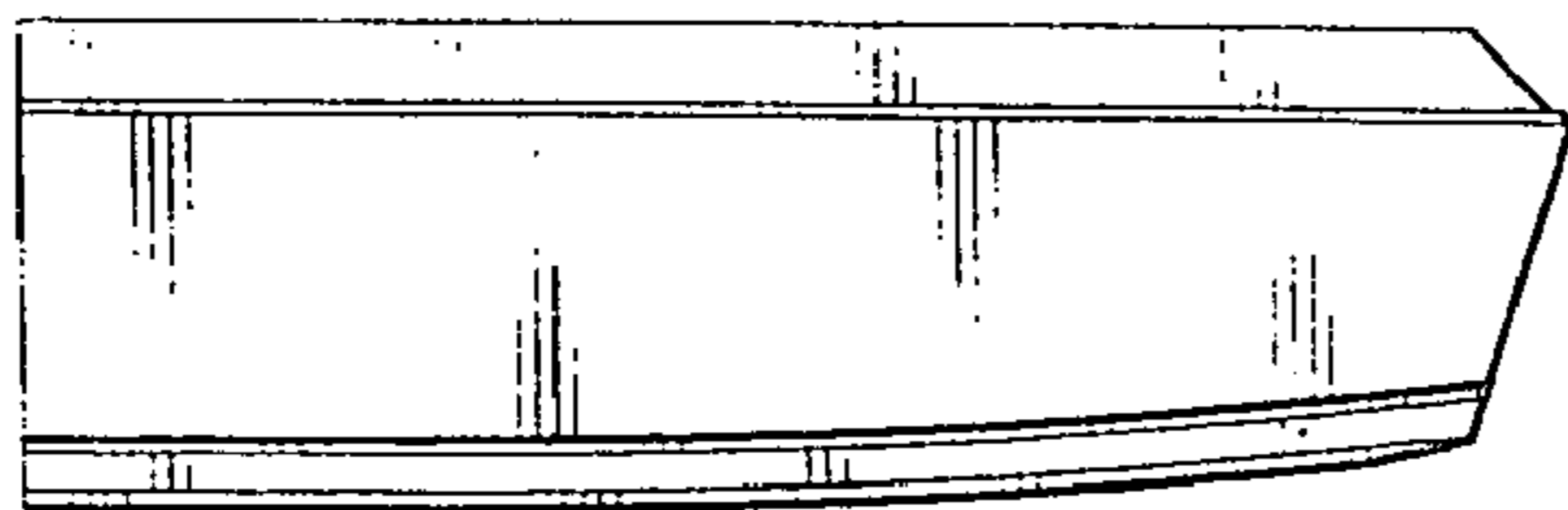


FIG.7

