



US00D565709S

(12) **United States Design Patent**
Carpenter-Crawford et al.

(10) **Patent No.: US D565,709 S**

(45) **Date of Patent: ** Apr. 1, 2008**

(54) **TUB GRIP**

(75) Inventors: **Evan Carpenter-Crawford**,
Farmington Hills, MI (US); **Daniel
Genord**, South Lyon, MI (US); **Jeffrey
DeBoer**, Ann Arbor, MI (US)

(73) Assignee: **Liberty Hardware Mfg. Corp.**,
Winstom-Salem, NC (US)

(**) Term: **14 Years**

(21) Appl. No.: **29/271,105**

(22) Filed: **Jan. 10, 2007**

(51) **LOC (8) Cl.** **23-02**

(52) **U.S. Cl.** **D23/304**

(58) **Field of Classification Search** D23/271,
D23/273, 275, 277, 280.1, 283, 303-306;
4/546, 538, 552, 596-597, 612-614, 661;
D24/204-205; D6/524-525

See application file for complete search history.

(56) **References Cited**

U.S. PATENT DOCUMENTS

| | | | | |
|--------------|--------|-----------------|-------|---------|
| D188,175 S * | 6/1960 | Craig | | D23/304 |
| D373,624 S * | 9/1996 | Obitts | | D23/303 |
| D377,827 S * | 2/1997 | Dhanapal et al. | | D23/304 |
| D487,587 S * | 3/2004 | Gilbert et al. | | D23/304 |

OTHER PUBLICATIONS

“Tub Support Bar”, F2199, Harriet Carter magazine, Sep. 2002.*

* cited by examiner

Primary Examiner—Robert A. Delehanty

(74) *Attorney, Agent, or Firm*—Edgar A. Zarins; Lloyd D. Doigan

(57) **CLAIM**

The ornamental design for a tub grip, as shown and described.

DESCRIPTION

FIG. 1 is a perspective view of a tub grip showing our new design;

FIG. 2 is a front elevational view thereof;

FIG. 3 is a rear view thereof;

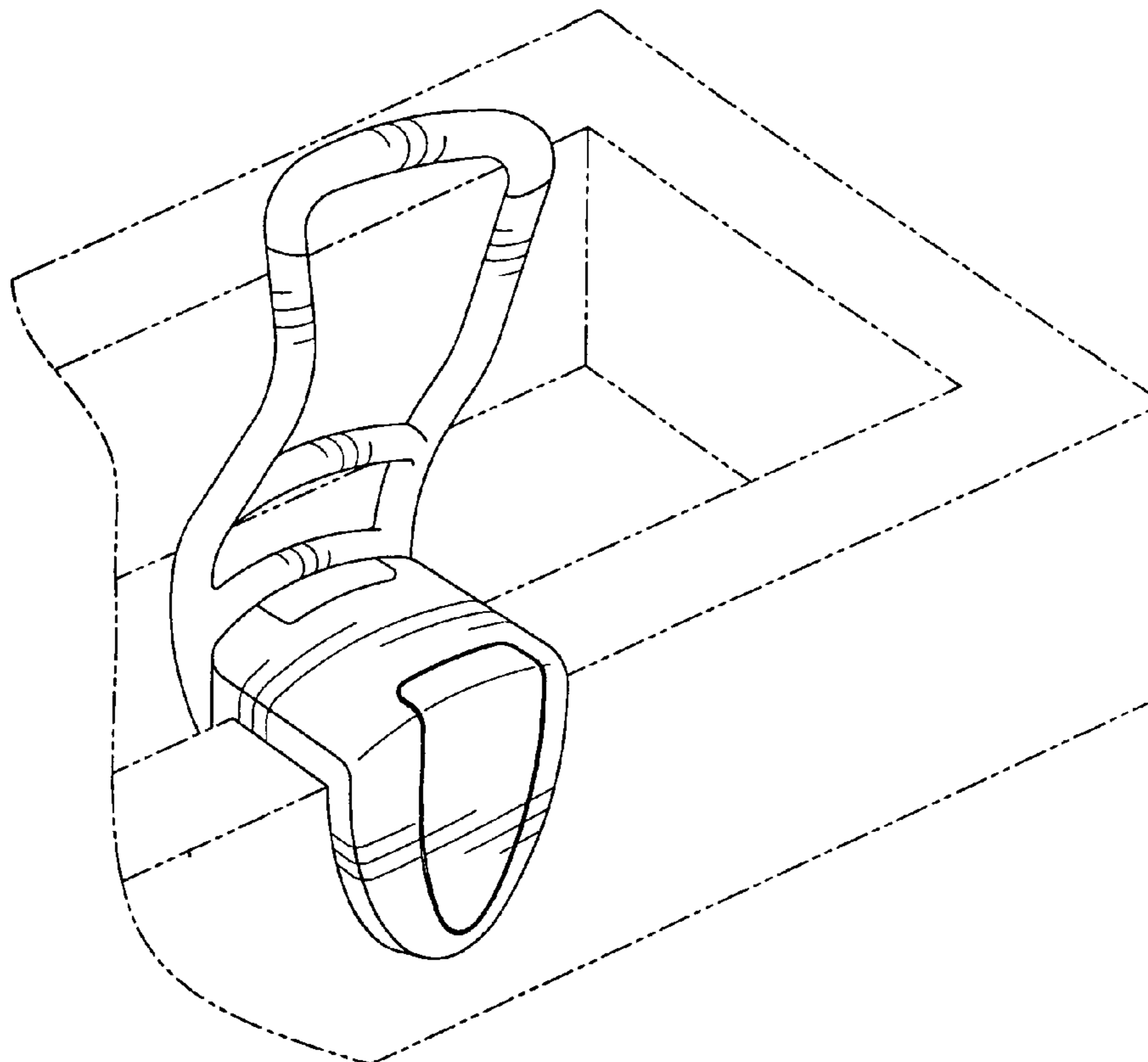
FIG. 4 is a right side view thereof, the opposite side being a mirror image of the side shown;

FIG. 5 is a bottom plan view thereof; and,

FIG. 6 is a top plan view thereof.

The broken line showing of a bathtub is for illustrative purposes only and forms no part of the claimed design.

1 Claim, 2 Drawing Sheets



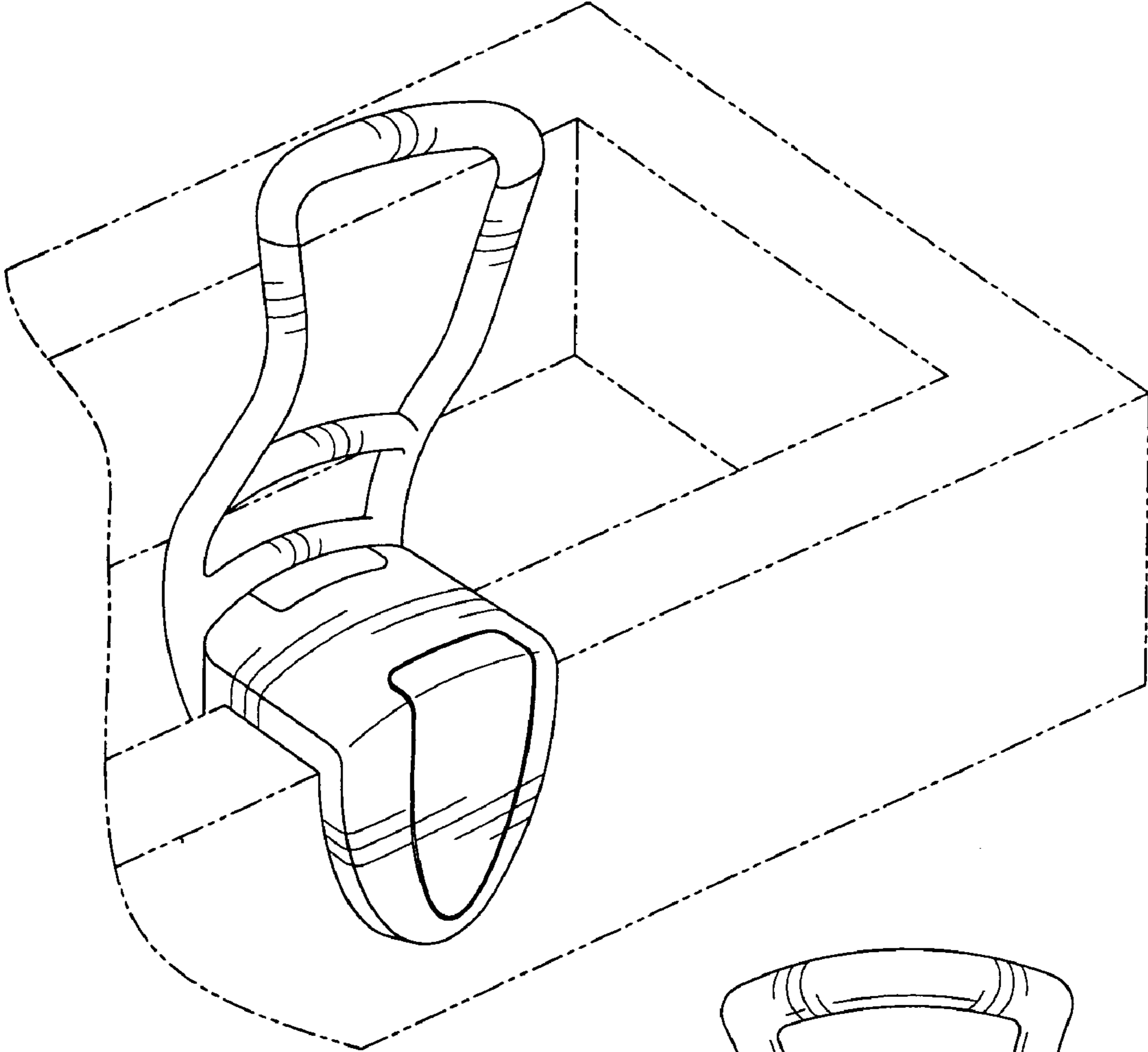


Fig-1

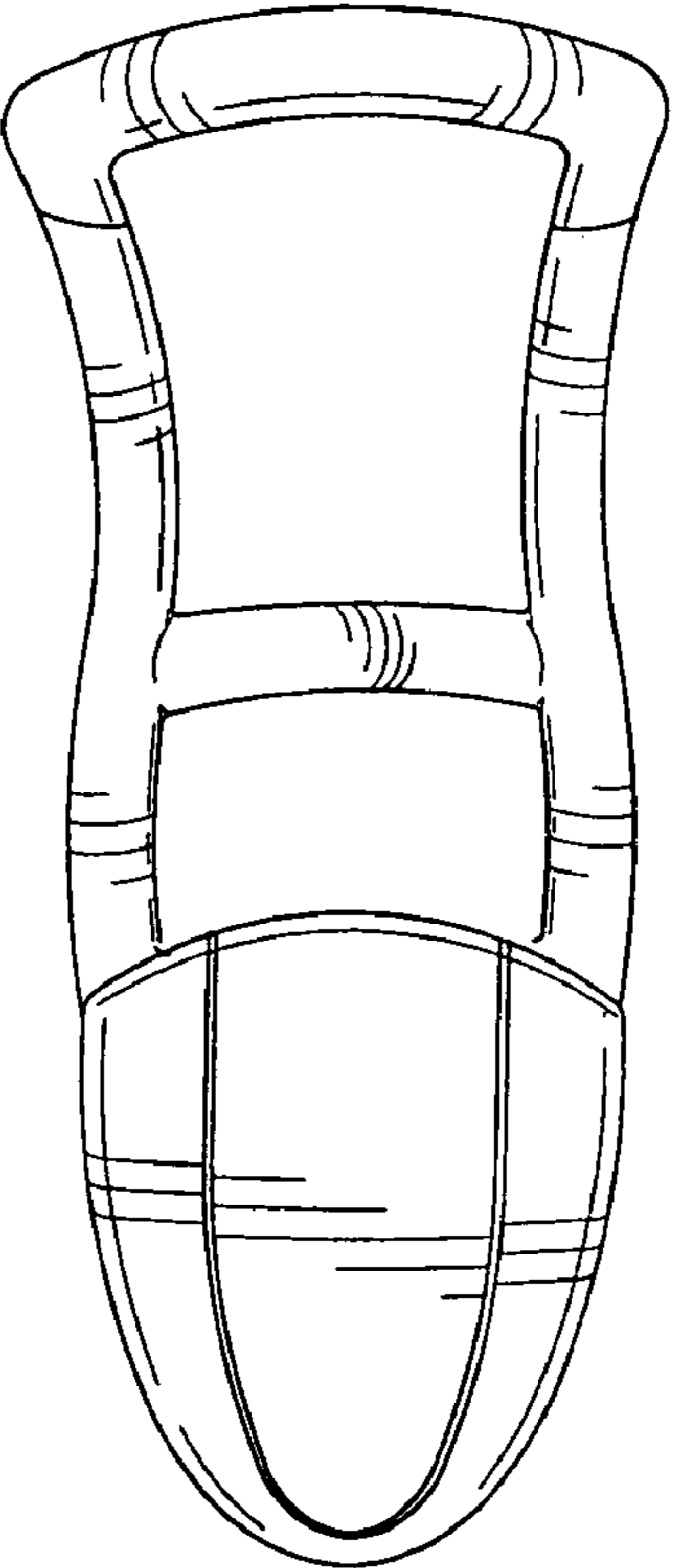


Fig-2

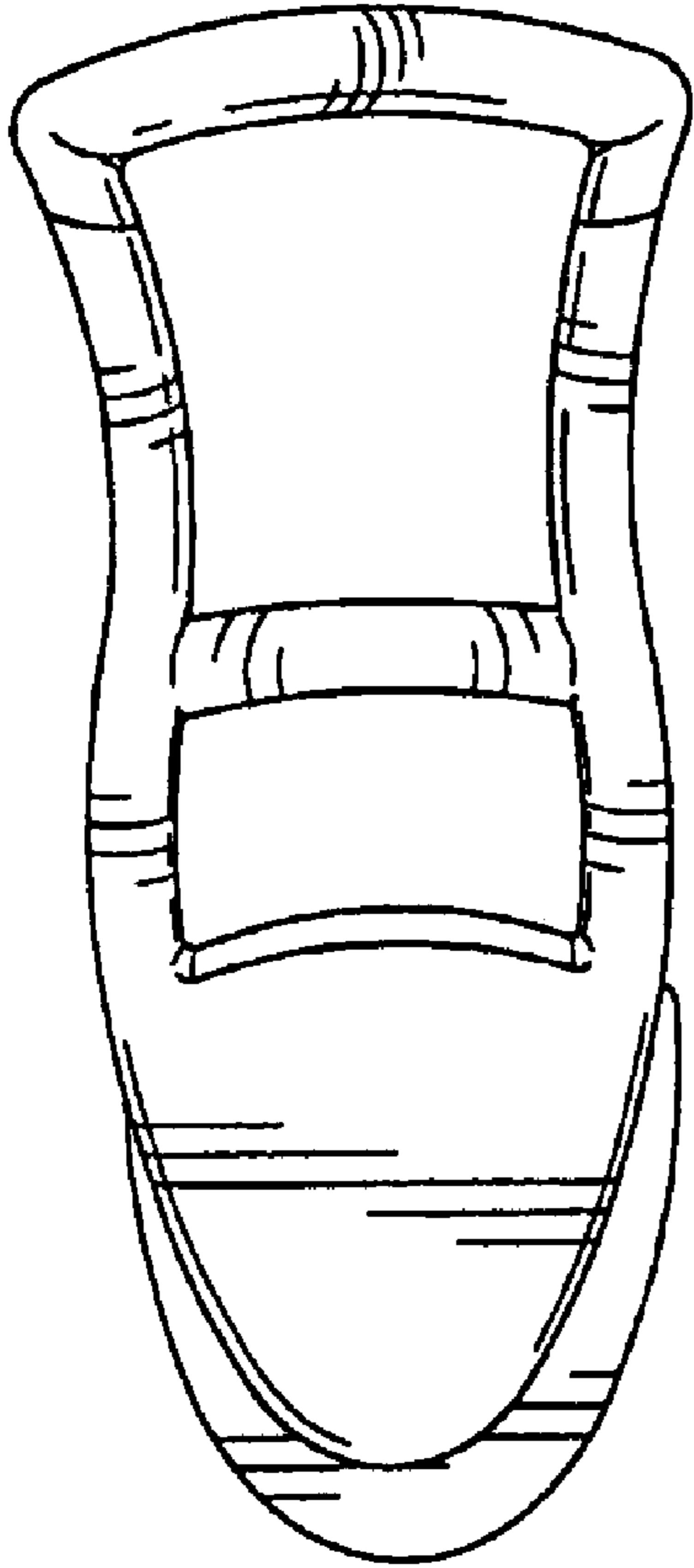


Fig-3

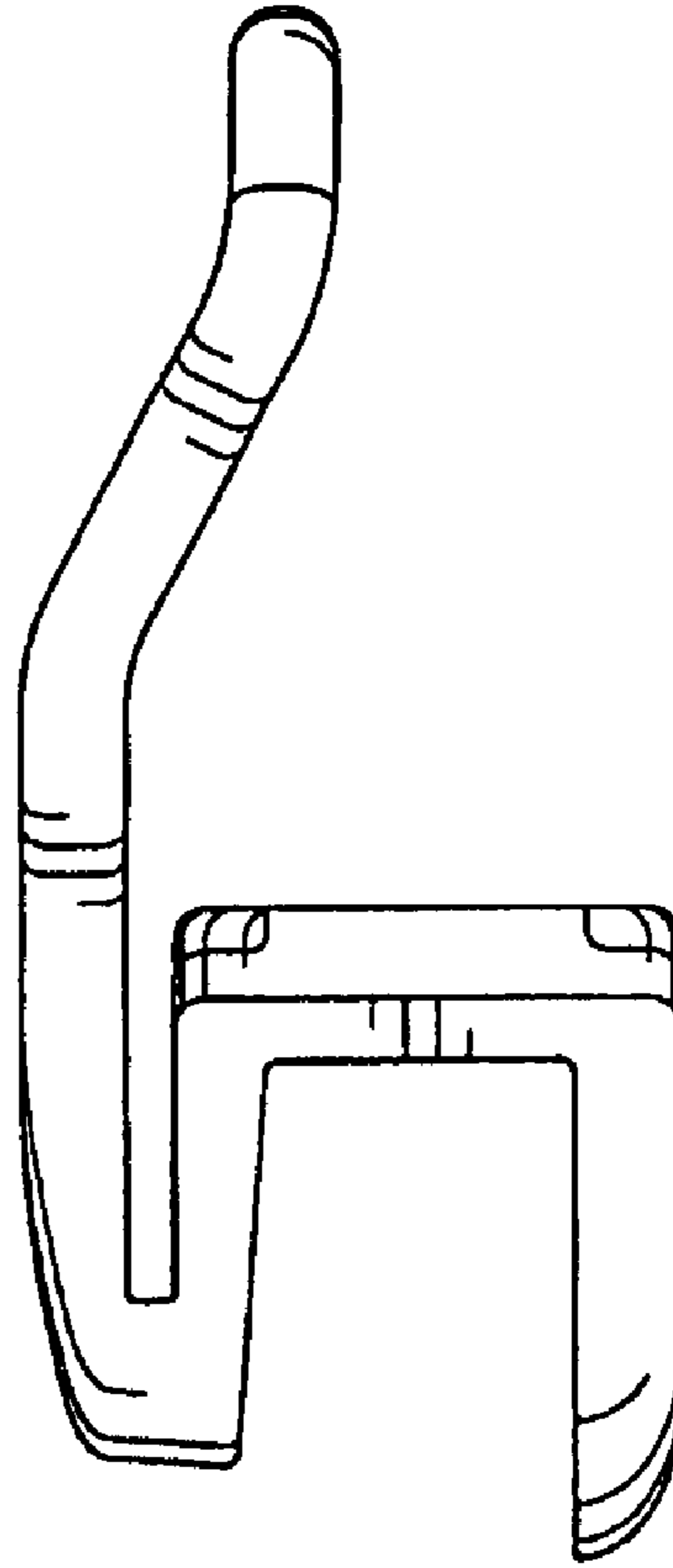


Fig-4

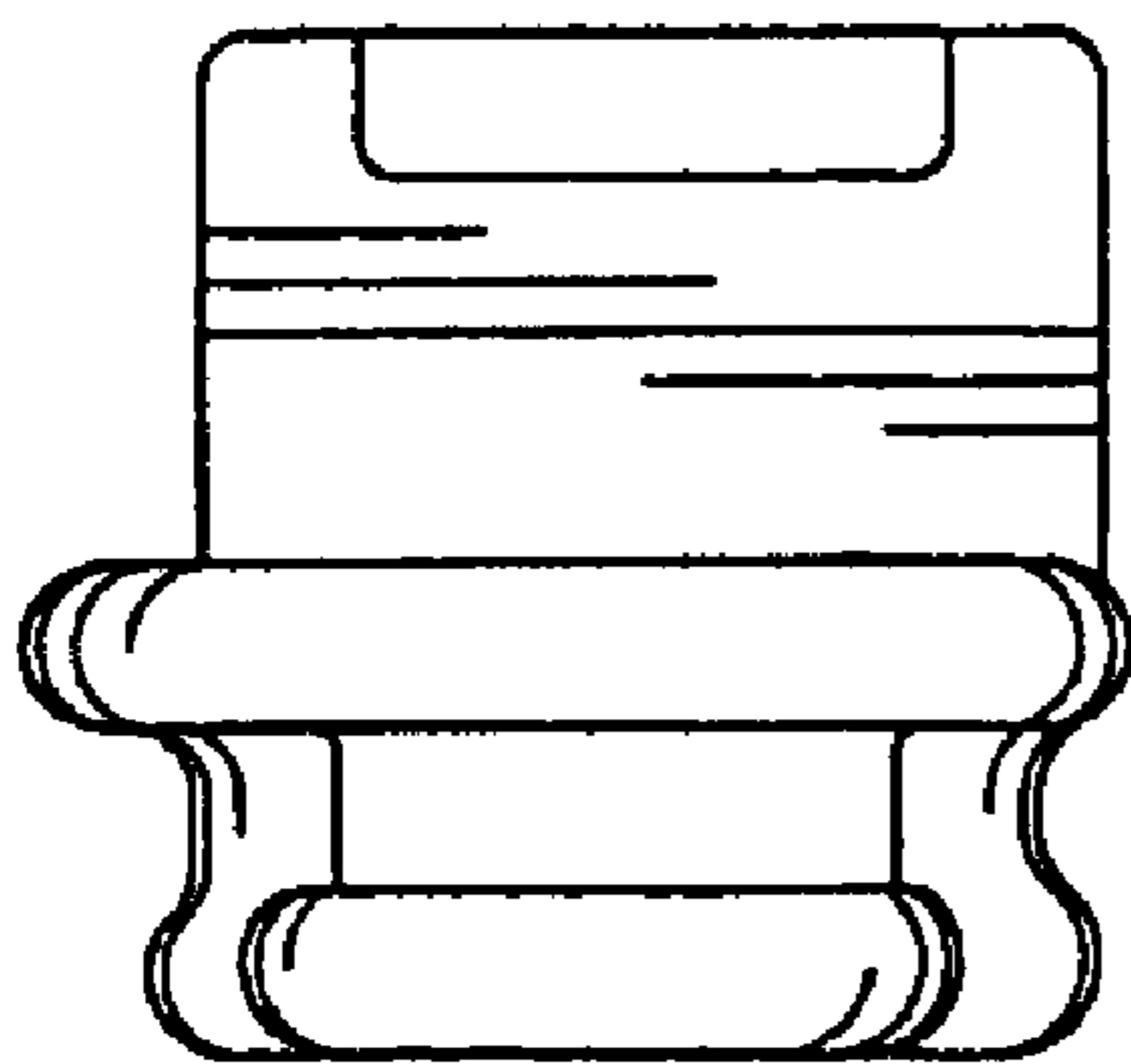


Fig-6

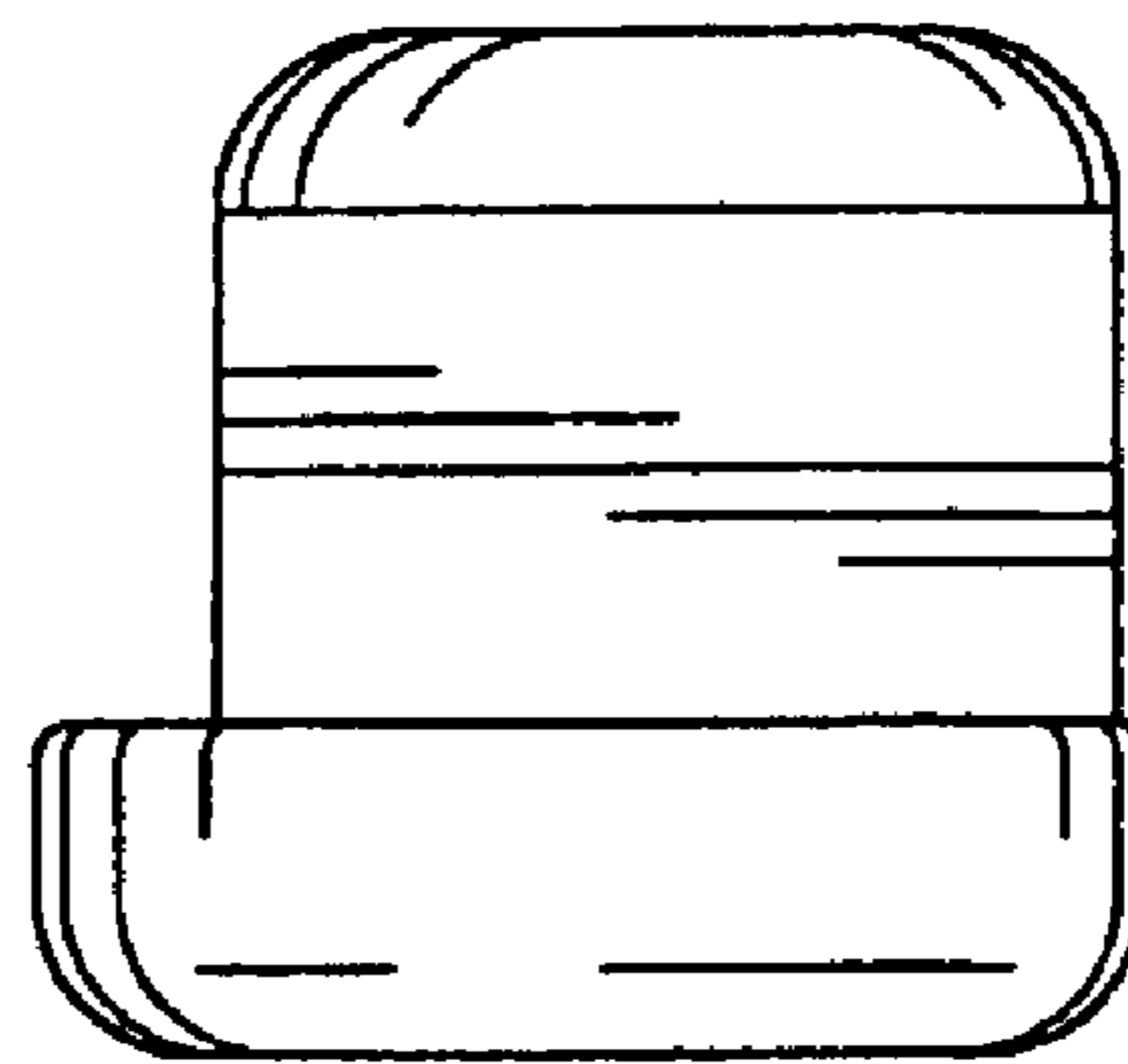


Fig-5