

US00D565705S

(12) **United States Design Patent**
Kuran et al.

(10) **Patent No.:** **US D565,705 S**

(45) **Date of Patent:** **** Apr. 1, 2008**

(54) **SPRING HEAD ASSEMBLY FOR FAUCET**

(75) Inventors: **Chris Kuran**, Fallbrook, CA (US);
Steve Kleiwer, Whittier, CA (US)

(73) Assignee: **Waterstone, LLC**, Marietta, GA (US)

(**) Term: **14 Years**

(21) Appl. No.: **29/245,668**

(22) Filed: **Dec. 27, 2005**

(51) **LOC (8) Cl.** **23-01**

(52) **U.S. Cl.** **D23/249**

(58) **Field of Classification Search** D23/238-250,
D23/252-255; 4/671-678, 615; 137/801,
137/615, 616.5; 214/452; 239/588
See application file for complete search history.

(56) **References Cited**

U.S. PATENT DOCUMENTS

2,727,534	A *	12/1955	Briede	137/615
2,971,520	A *	2/1961	Motis et al.	4/615
D243,488	S *	3/1977	Linse	D23/239
D251,794	S *	5/1979	Smith	D23/238
4,207,920	A *	6/1980	Westerhoff	137/615
4,232,710	A *	11/1980	Gallo et al.	137/615
4,709,715	A *	12/1987	Knight	137/616.5
D312,118	S *	11/1990	Son	D23/238
4,987,925	A *	1/1991	Vroonland	137/615
D331,921	S *	12/1992	Gutke et al.	D14/452
5,379,205	A *	1/1995	Peng	248/282.1
5,492,148	A *	2/1996	Goughneour et al.	137/616.5
5,624,074	A *	4/1997	Parisi	239/588

D491,574	S *	6/2004	Hung	D14/452
6,820,291	B1 *	11/2004	Weaver	239/588
D522,009	S *	5/2006	Chen	D14/452
D529,033	S *	9/2006	Hung	D14/452
D534,620	S *	1/2007	Zhou	D23/238
D535,356	S *	1/2007	Kuran et al.	D23/238
D541,808	S *	5/2007	Oddsens et al.	D14/452
D544,489	S *	6/2007	Oddsens et al.	D14/452

* cited by examiner

Primary Examiner—Stella M. Reid

Assistant Examiner—David G Muller

(74) *Attorney, Agent, or Firm*—Myers Dawes Andras & Sherman LLP; Joseph C. Andras

(57) **CLAIM**

We claim the ornamental design for the spring head assembly for faucet, as shown and described.

DESCRIPTION

FIG. 1 is a perspective view of the spring head assembly for faucet showing our new design with the broken lines shown for illustrative purposes only and forming no part of the claimed design;

FIG. 2 is a front elevational view thereof;

FIG. 3 is a right-side elevational view thereof;

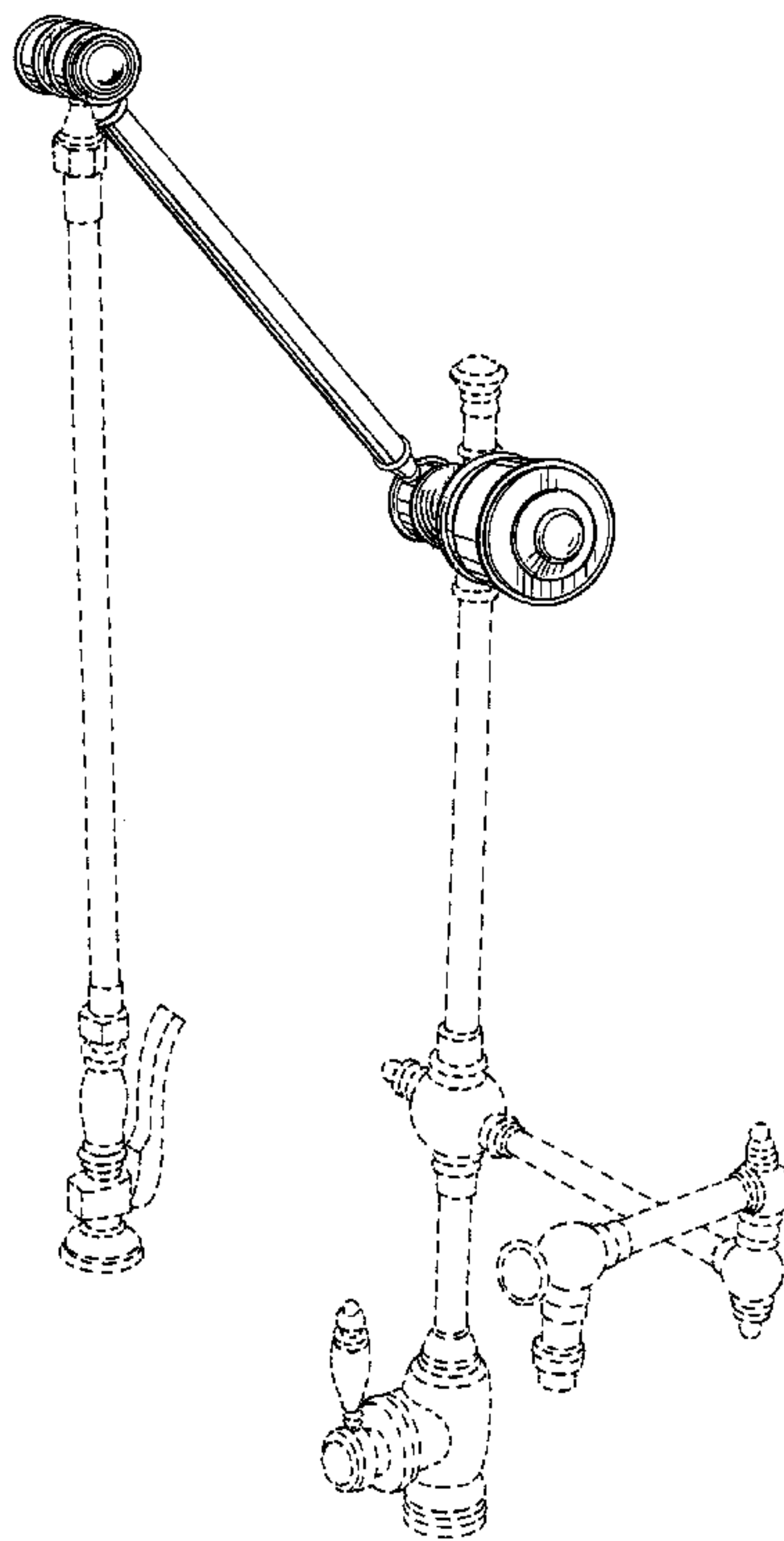
FIG. 4 is a left-side elevational view thereof;

FIG. 5 is a back elevational view thereof;

FIG. 6 is a top plan view thereof; and,

FIG. 7 is a bottom plan view thereof.

1 Claim, 4 Drawing Sheets



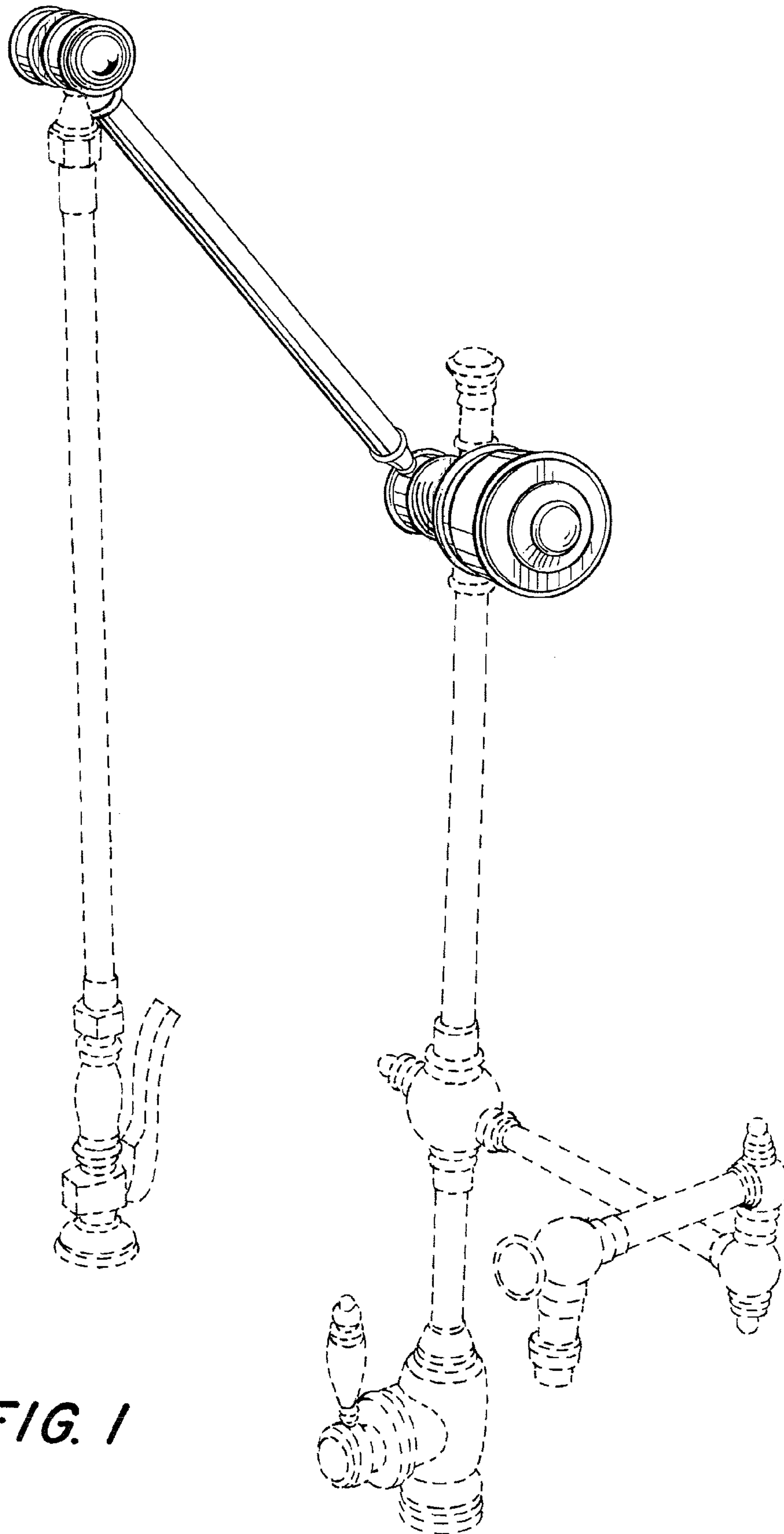


FIG. 1

FIG. 3

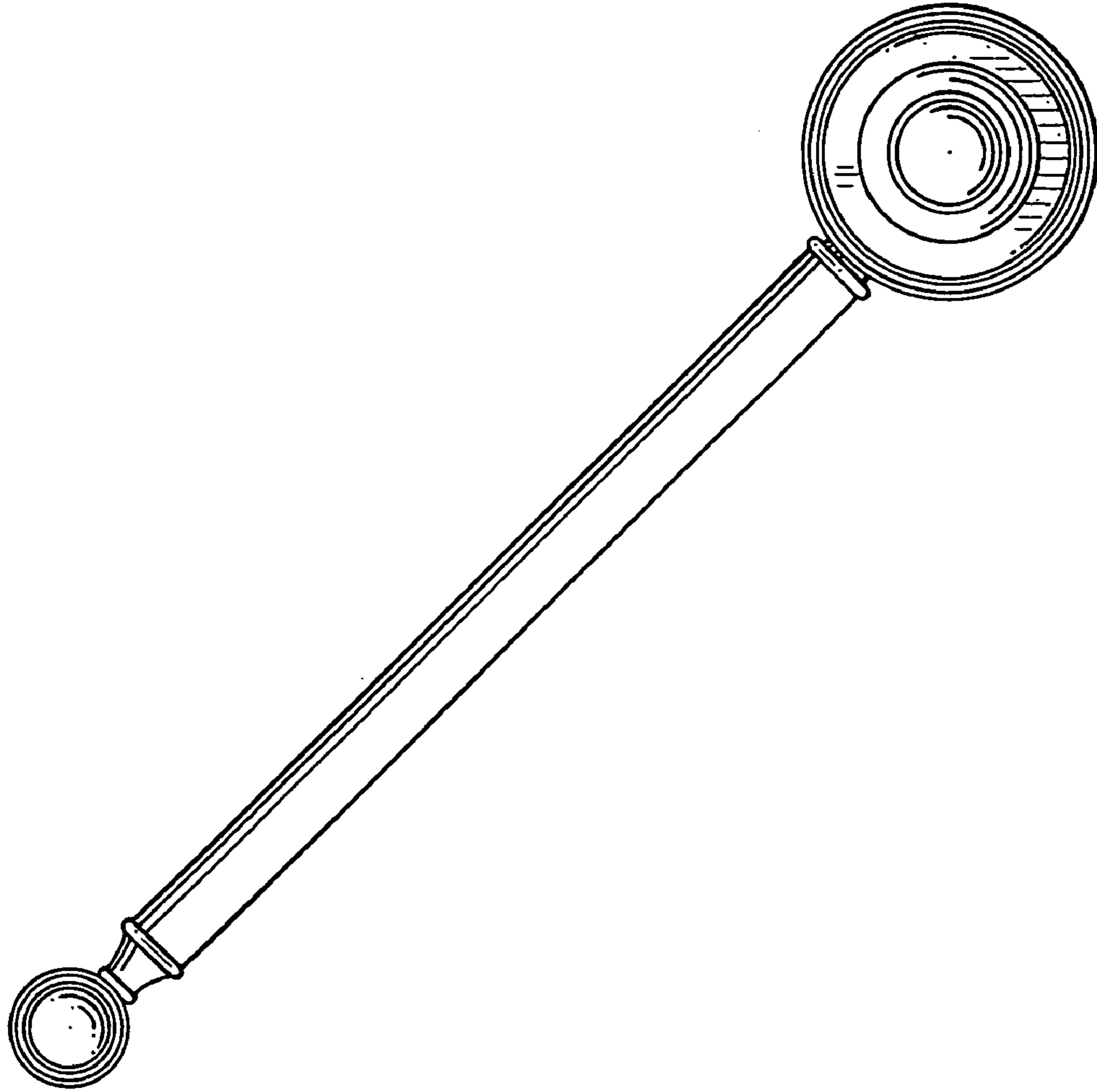


FIG. 2

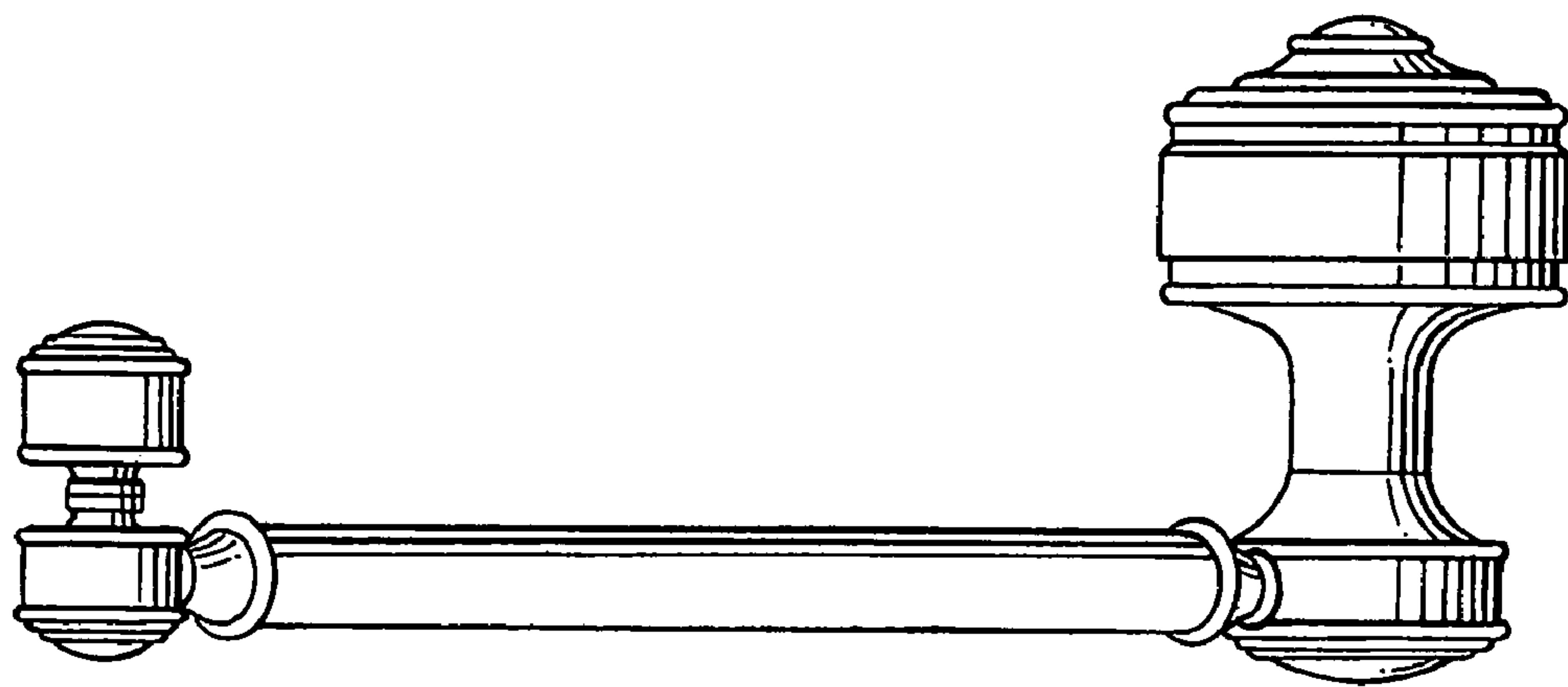


FIG. 5

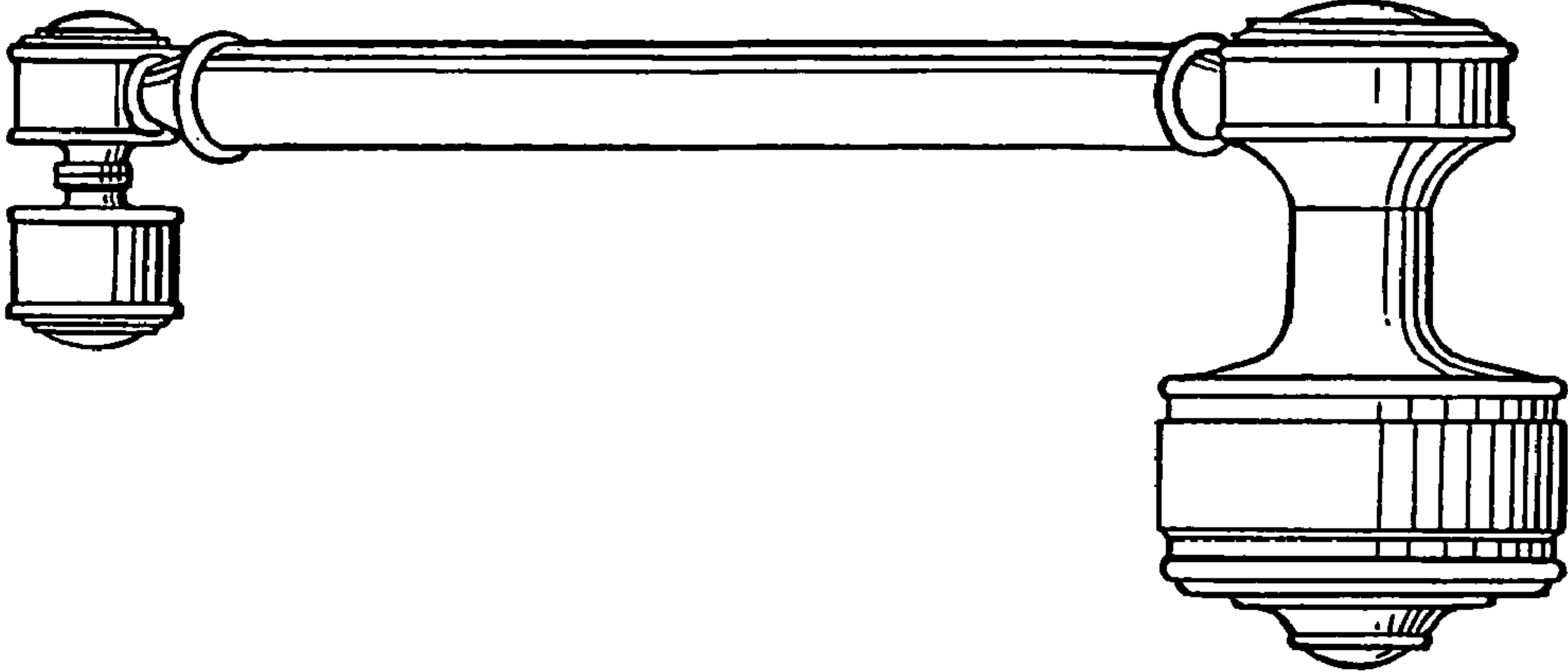


FIG. 4

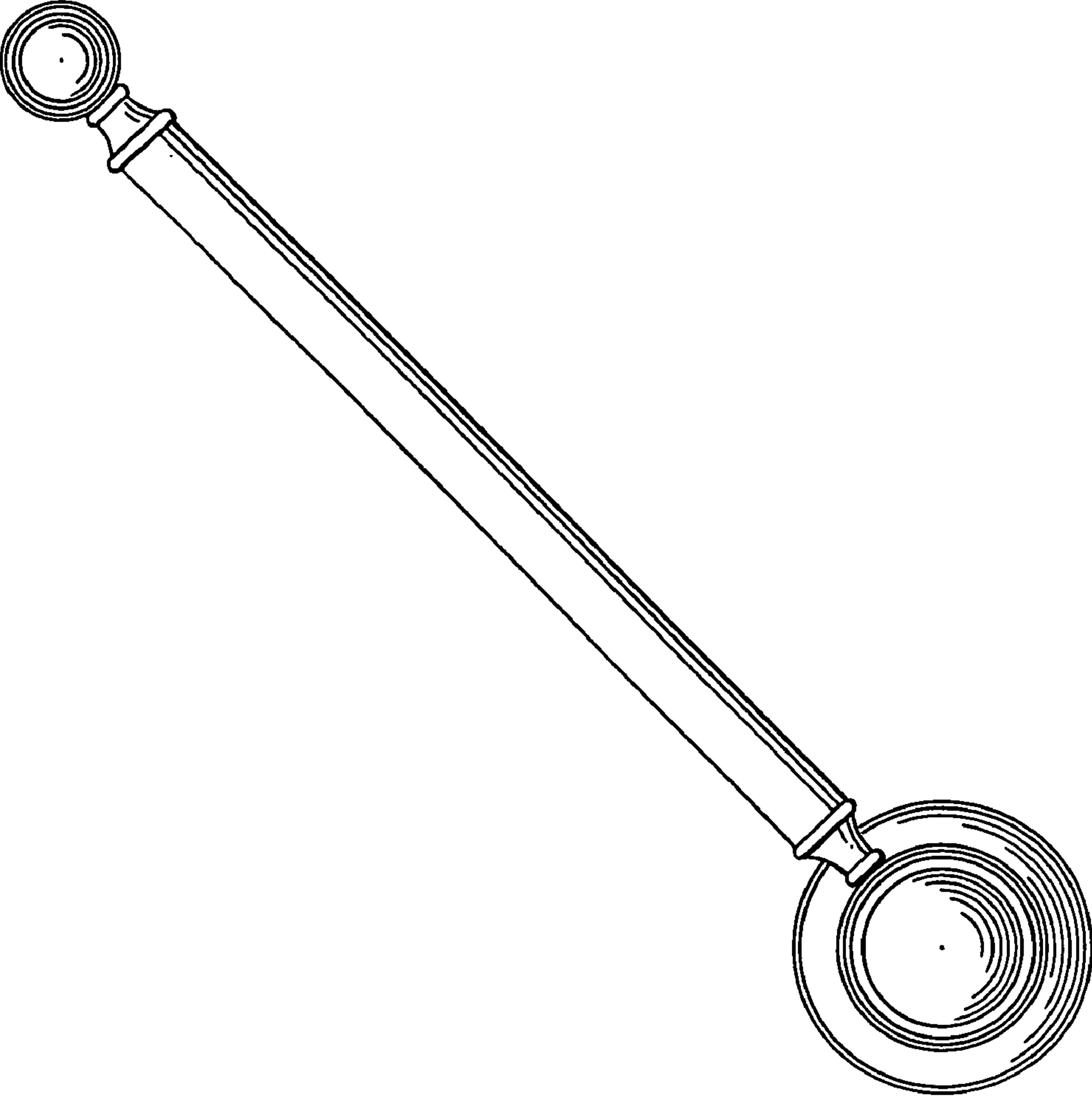


FIG. 7

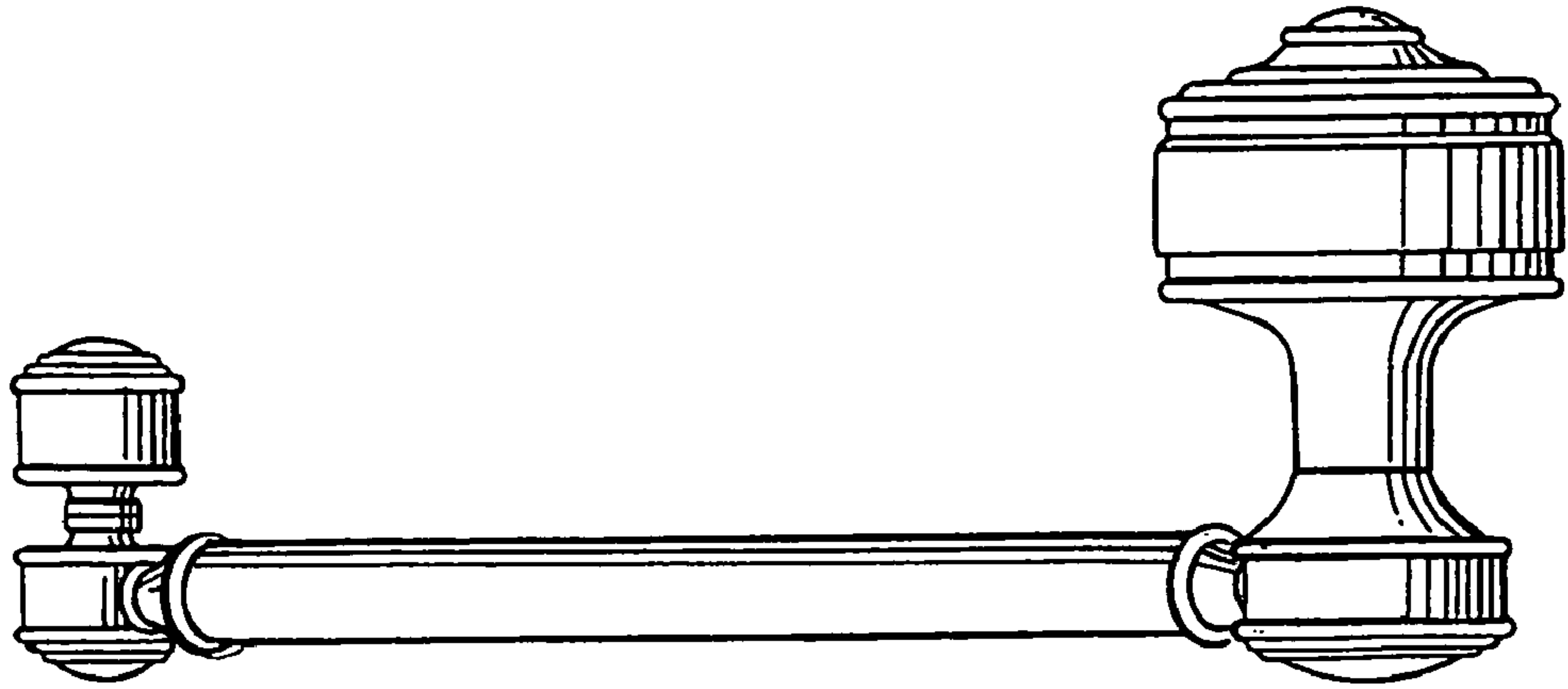


FIG. 6

