



US00D565704S

(12) **United States Design Patent**
Yang

(10) **Patent No.:** **US D565,704 S**

(45) **Date of Patent:** **** Apr. 1, 2008**

(54) **FAUCET BODY**

D496,432 S * 9/2004 Ouyoung D23/238

(76) Inventor: **Tsai Chen Yang**, 235 Chung-Ho Box
8-24, Taipei (TW)

* cited by examiner

Primary Examiner—Ian Simmons
Assistant Examiner—David G Muller

(**) Term: **14 Years**

(21) Appl. No.: **29/243,482**

(57) **CLAIM**

(22) Filed: **Nov. 28, 2005**

The ornamental design for a faucet body, as shown and described.

(51) **LOC (8) Cl.** **23-01**

(52) **U.S. Cl.** **D23/249**

(58) **Field of Classification Search** D23/238–250,
D23/252–255, 257, 283; 4/671–678; 137/801,
137/615; D7/398

DESCRIPTION

See application file for complete search history.

FIG. 1 is a perspective view of a faucet body showing my new design.

FIG. 2 is a front elevational view thereof.

FIG. 3 is a rear elevational view thereof.

FIG. 4 is a left side view thereof.

FIG. 5 is a right side view thereof.

FIG. 6 is a top plan view thereof.

FIG. 7 is a bottom plan view thereof; and,

FIG. 8 shows the application of the present invention, where those features indicated by dashed lines are not claimed in the present invention.

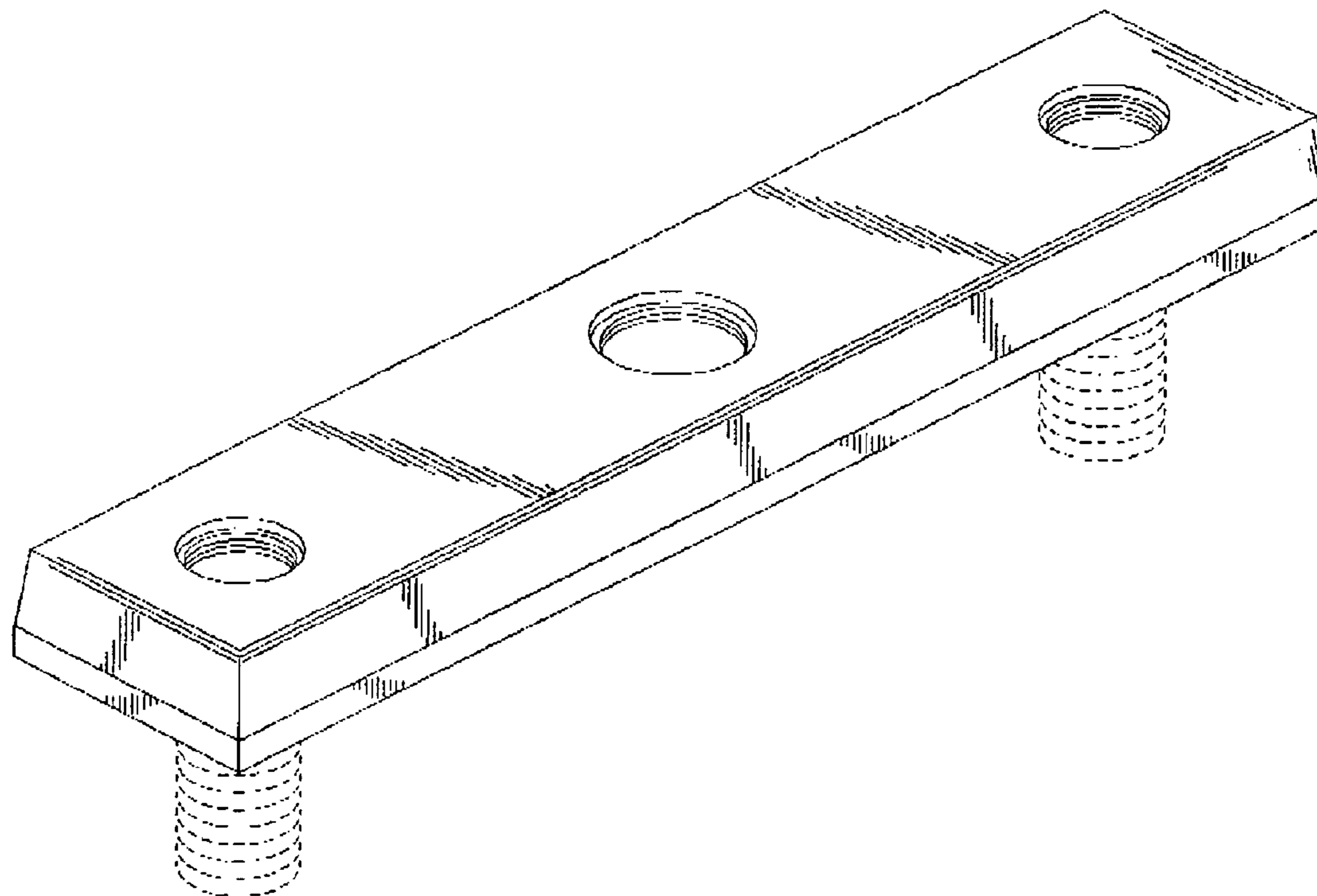
The broken line showing of parts of the drawings is included for the purpose of illustrating use and environment and forms no part of the claimed design.

(56) **References Cited**

U.S. PATENT DOCUMENTS

D295,661 S *	5/1988	Kohler et al.	D23/241
D370,525 S *	6/1996	Doughty et al.	D23/238
D381,398 S *	7/1997	Doughty et al.	D23/241
D407,795 S *	4/1999	Pitsch	D23/238
D407,798 S *	4/1999	Pitsch	D23/241
D408,070 S *	4/1999	Hsu	D23/238
D408,071 S *	4/1999	Hsu	D23/238
D409,283 S *	5/1999	Pitsch	D23/238
D412,201 S *	7/1999	Pitsch	D23/238
D421,484 S *	3/2000	Pitsch	D23/238
D429,316 S *	8/2000	McKeone	D23/238
D470,571 S *	2/2003	Pitsch	D23/238

1 Claim, 6 Drawing Sheets



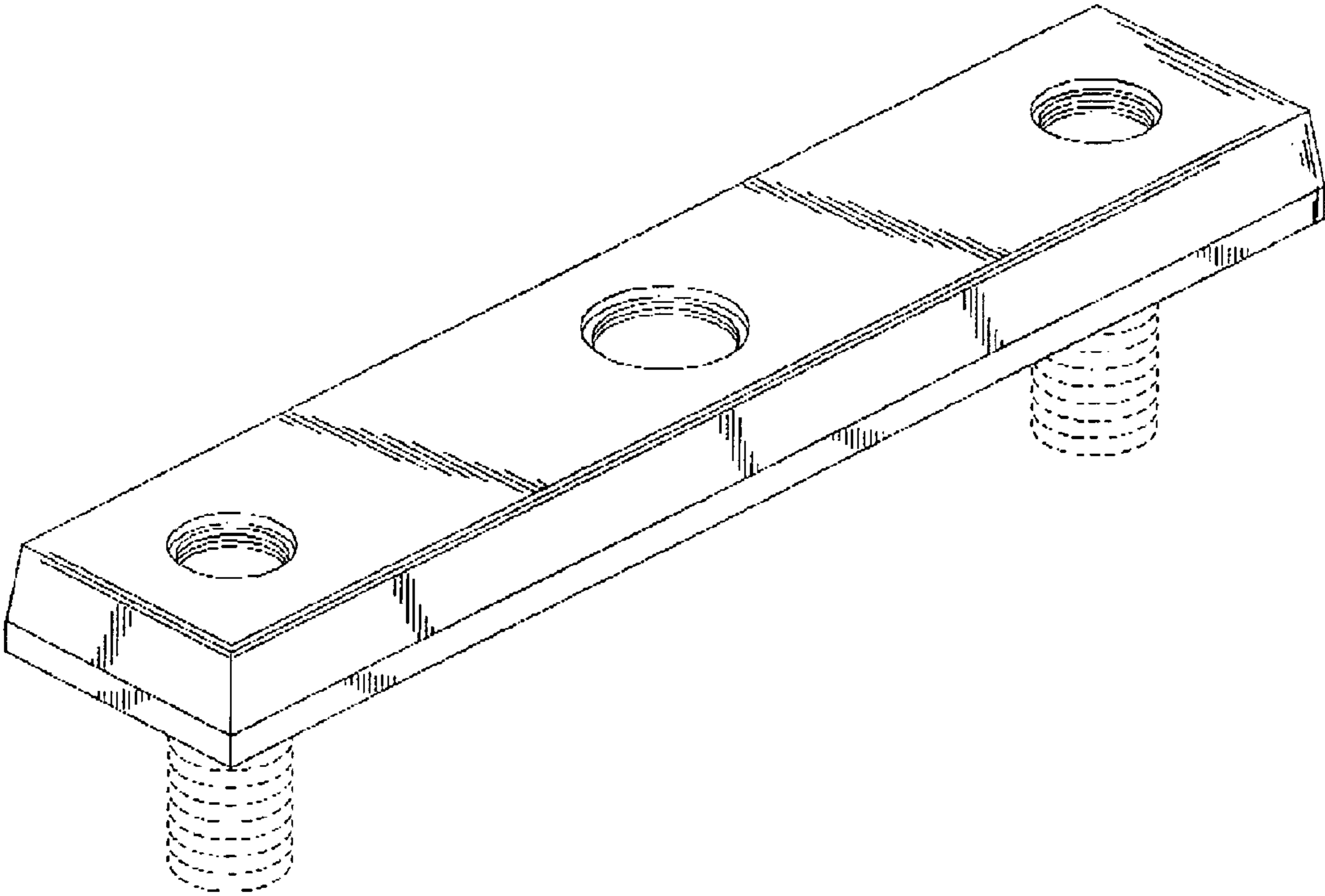


FIG. 1

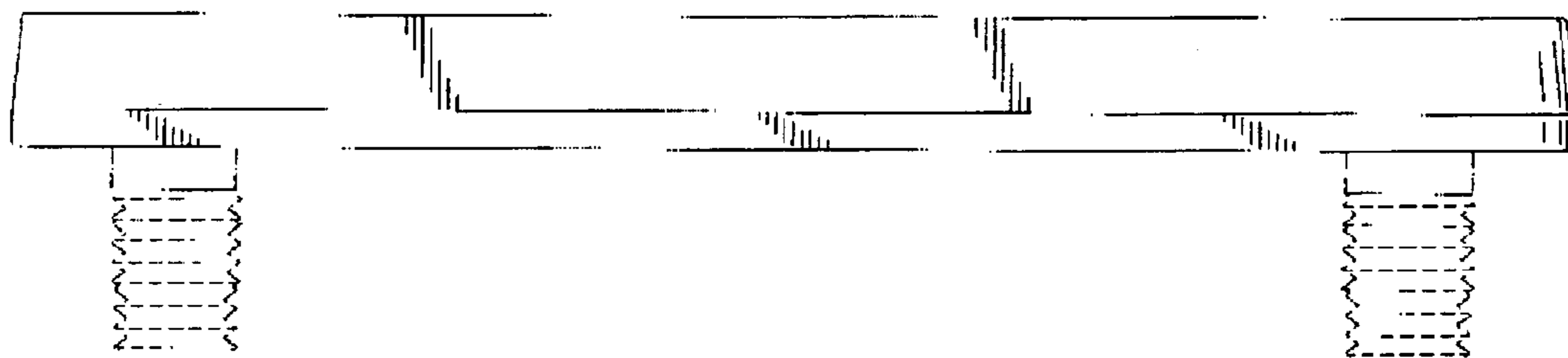


FIG. 2

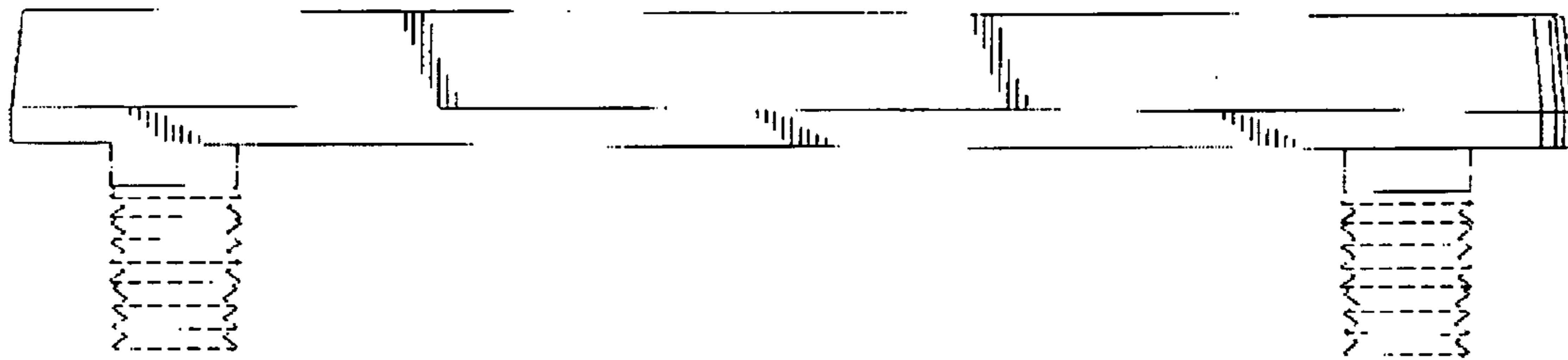


FIG. 3

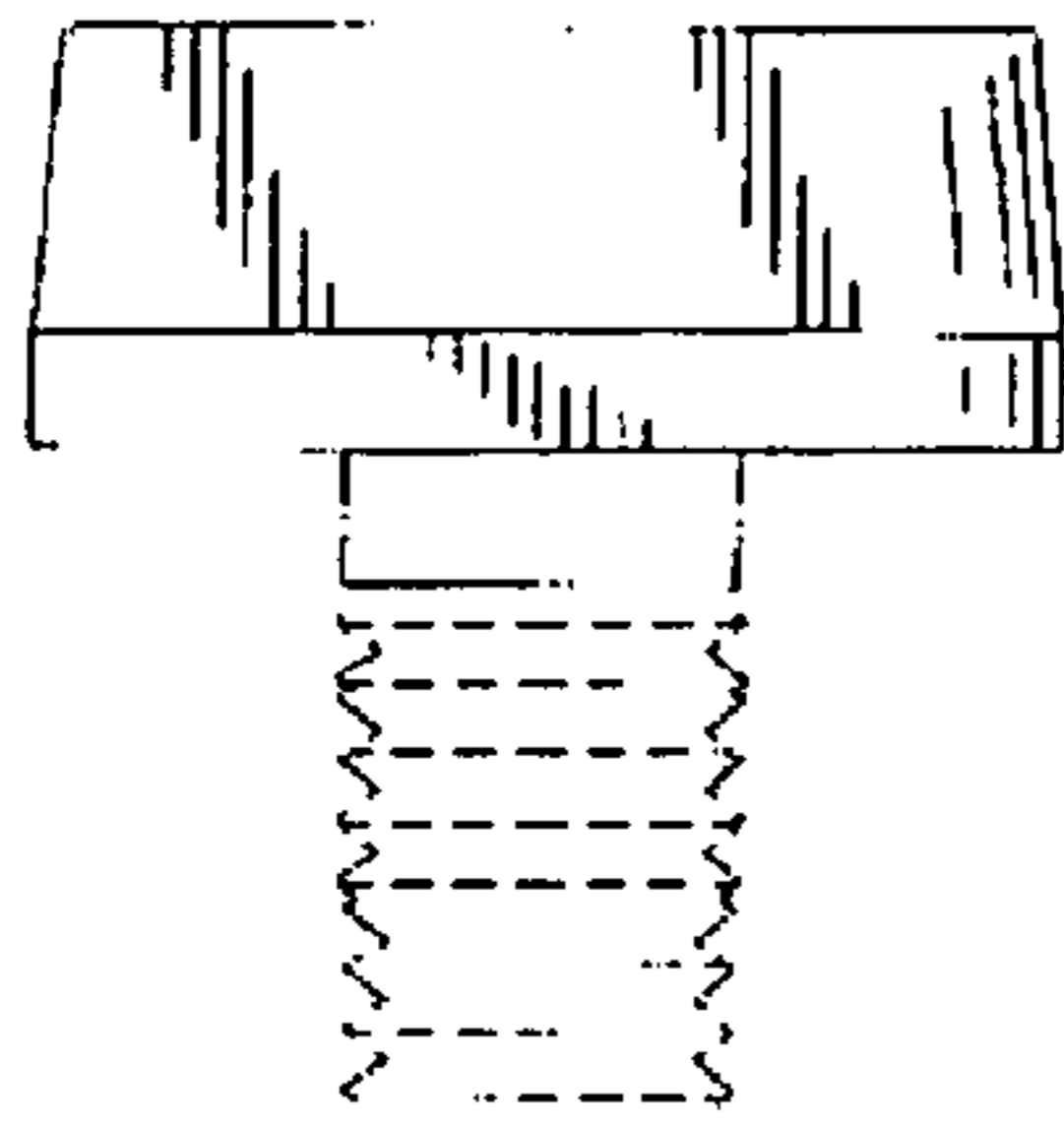


FIG. 4

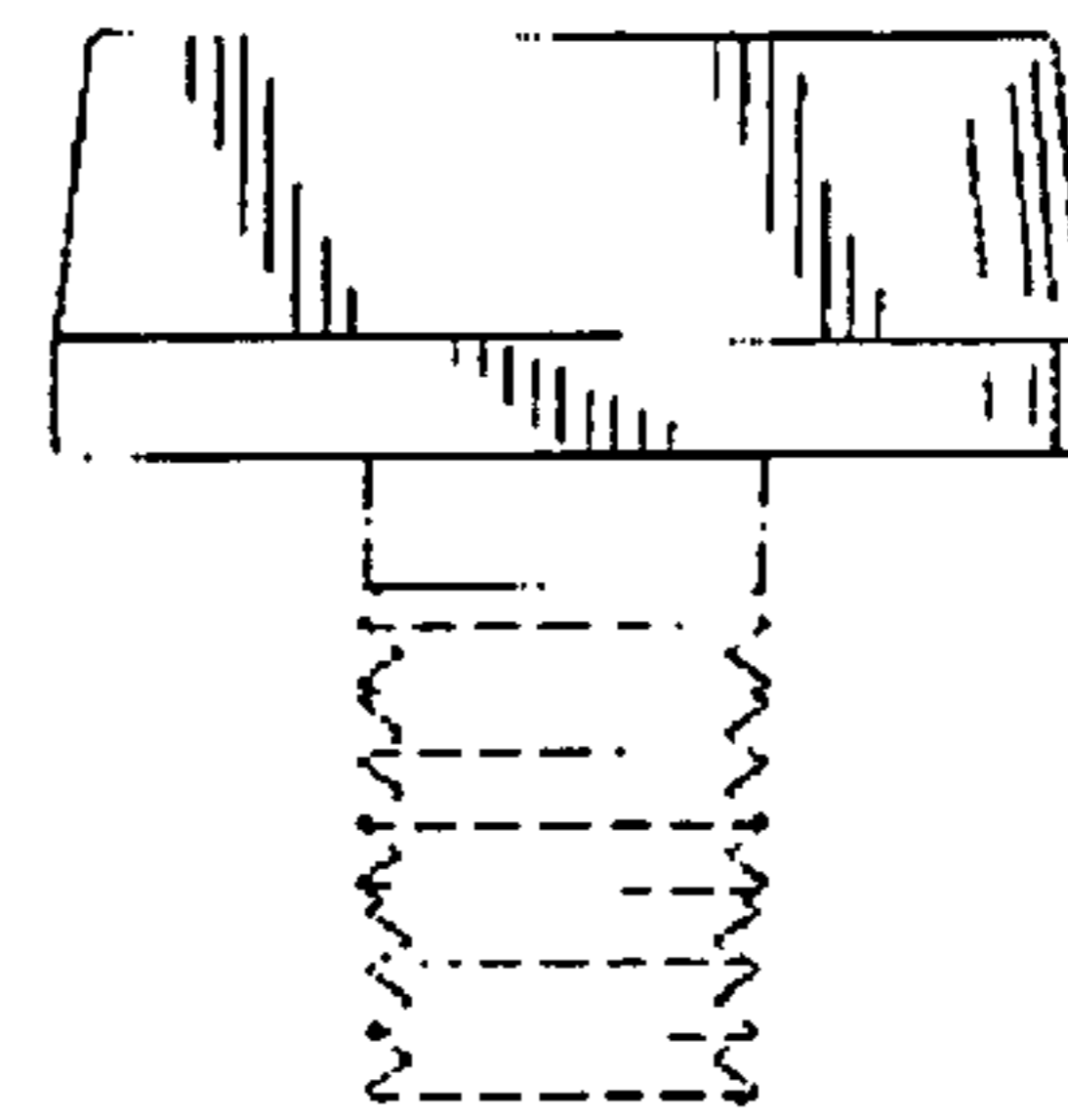


FIG. 5

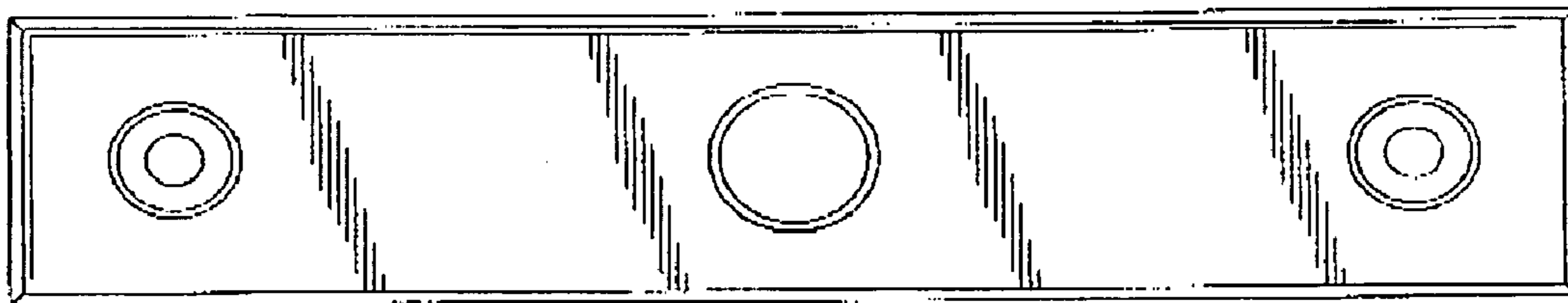


FIG. 6

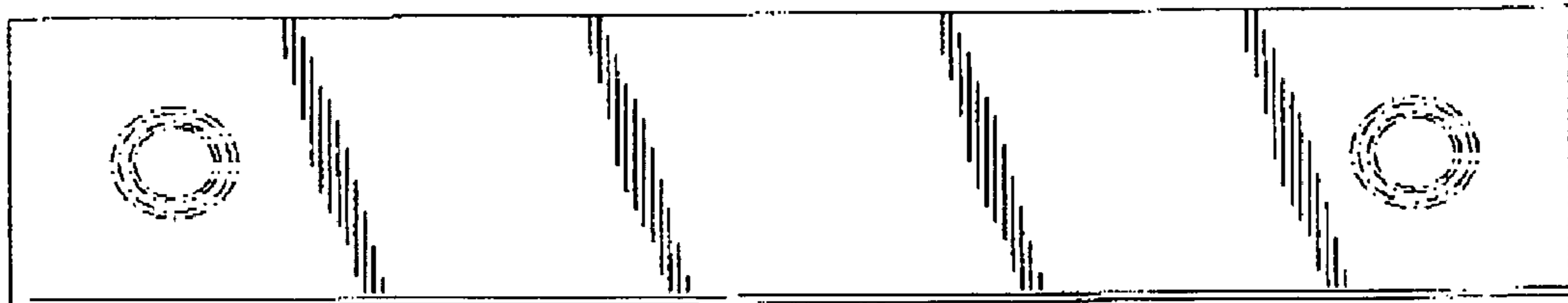


FIG. 7

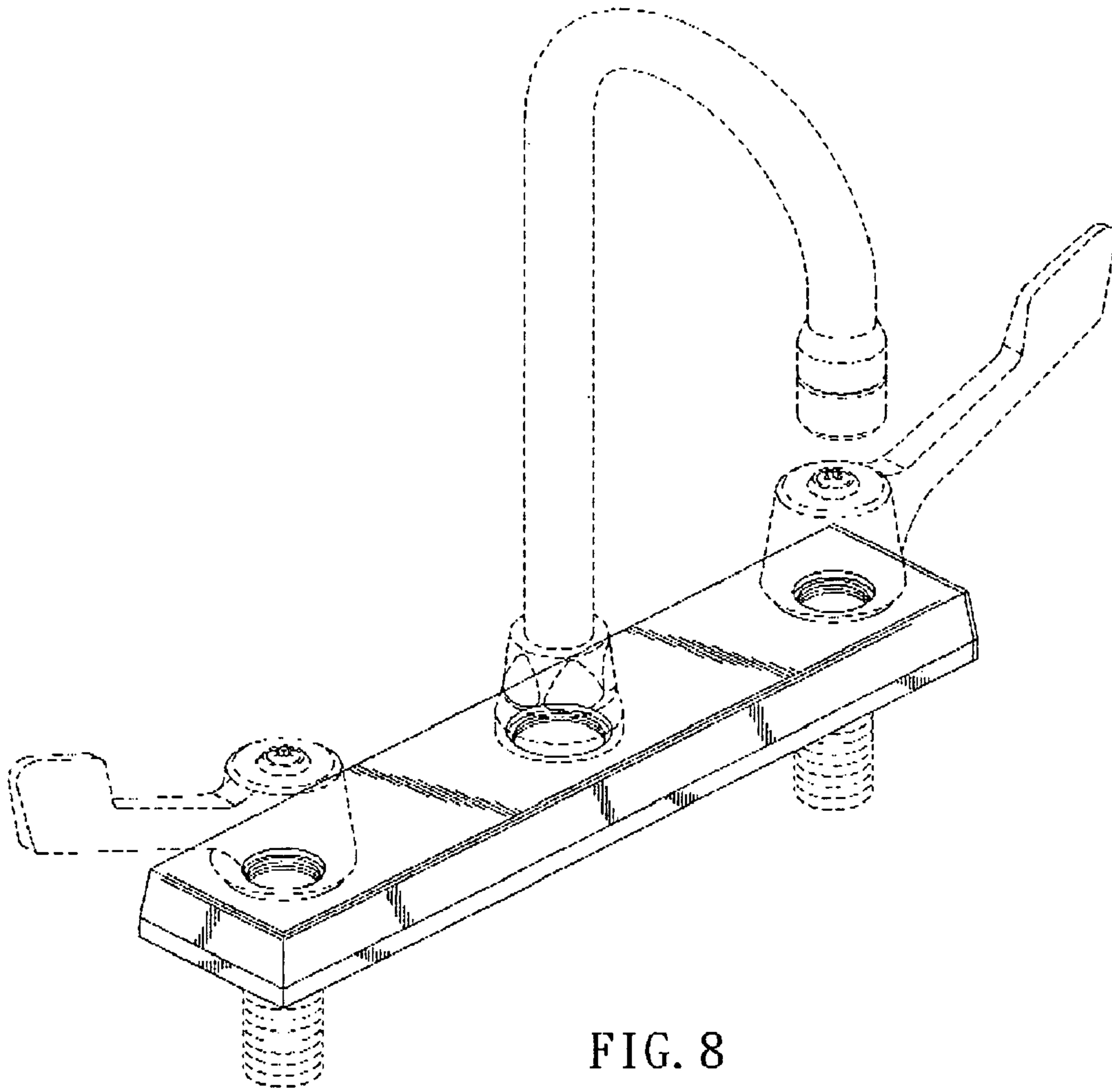


FIG. 8