

US00D565702S

(12) **United States Design Patent**
Daunter et al.

(10) **Patent No.:** **US D565,702 S**

(45) **Date of Patent:** **** Apr. 1, 2008**

(54) **HAND SHOWER**

* cited by examiner

(75) Inventors: **Dominic Daunter**, Howell, MI (US);
Daniel Genord, South Lyon, MI (US)

Primary Examiner—Robin V Webster
(74) *Attorney, Agent, or Firm*—Leon E. Redman; Lloyd D. Doigan

(73) Assignee: **Masco Corporation of Indiana**,
Indianapolis, IN (US)

(57) **CLAIM**

(**) Term: **14 Years**

The ornamental design for a hand shower, as shown and described.

(21) Appl. No.: **29/280,753**

(22) Filed: **Jun. 6, 2007**

DESCRIPTION

(51) **LOC (8) Cl.** **23-01**

FIG. 1 is a front perspective view of a hand shower showing our new design;

(52) **U.S. Cl.** **D23/223**

FIG. 2 is a front elevational view thereof;

(58) **Field of Classification Search** D23/213,
D23/223, 226, 229–30; 4/615; 239/525–526,
239/282–283, 394

FIG. 3 is a rear elevational view thereof;

See application file for complete search history.

FIG. 4 is a top plan view thereof;

FIG. 5 is a bottom plan view thereof;

(56) **References Cited**

FIG. 6 is a left side elevational view thereof; and,

U.S. PATENT DOCUMENTS

FIG. 7 is a right side elevational view thereof.

D530,391 S * 10/2006 Tse D23/223

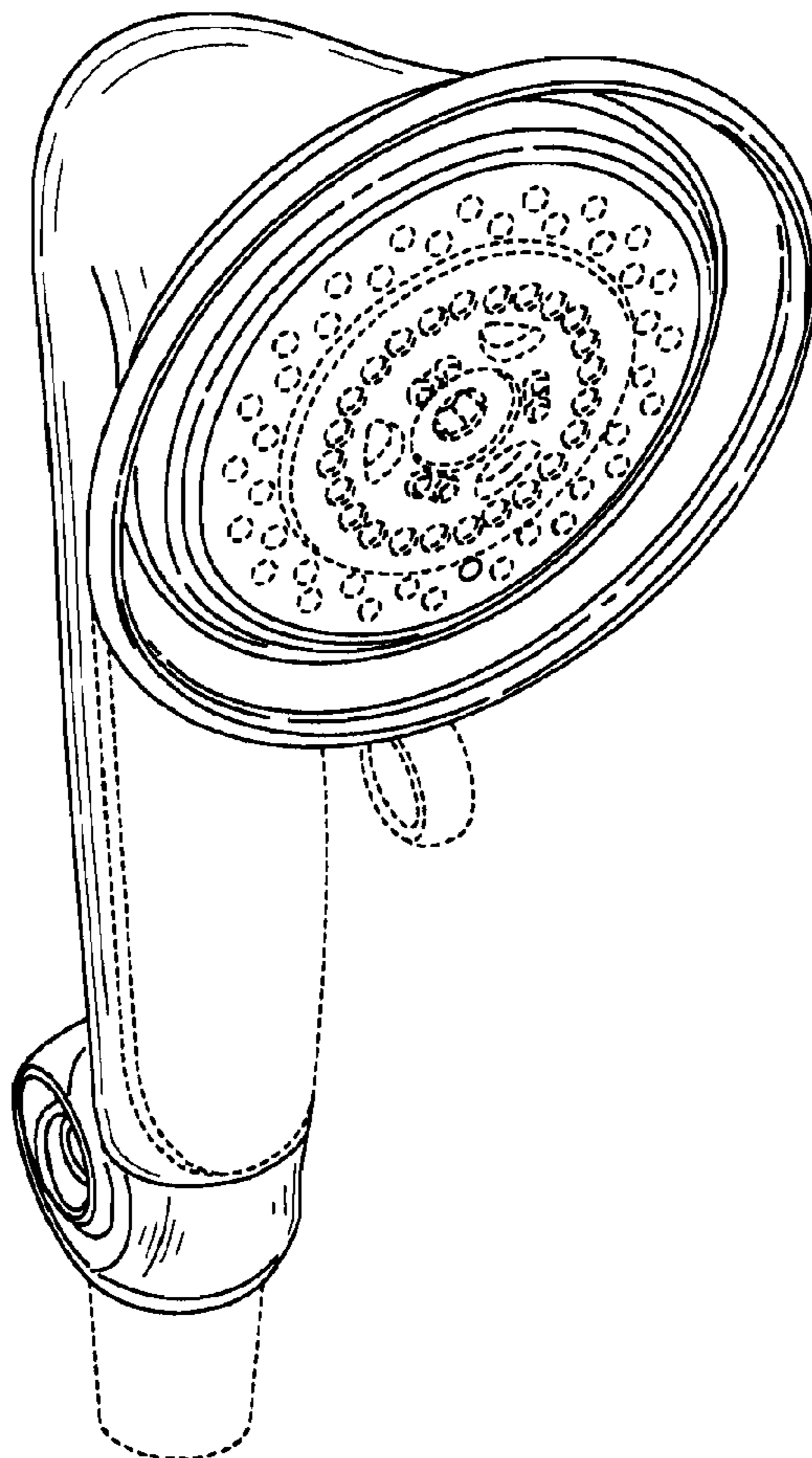
The broken lines in the Figures are for illustrative purposes only and form no part of the claimed design.

D540,426 S * 4/2007 Cropelli D23/213

D545,941 S * 7/2007 Li D23/223

1 Claim, 6 Drawing Sheets

D547,421 S * 7/2007 Lobermeier D23/223



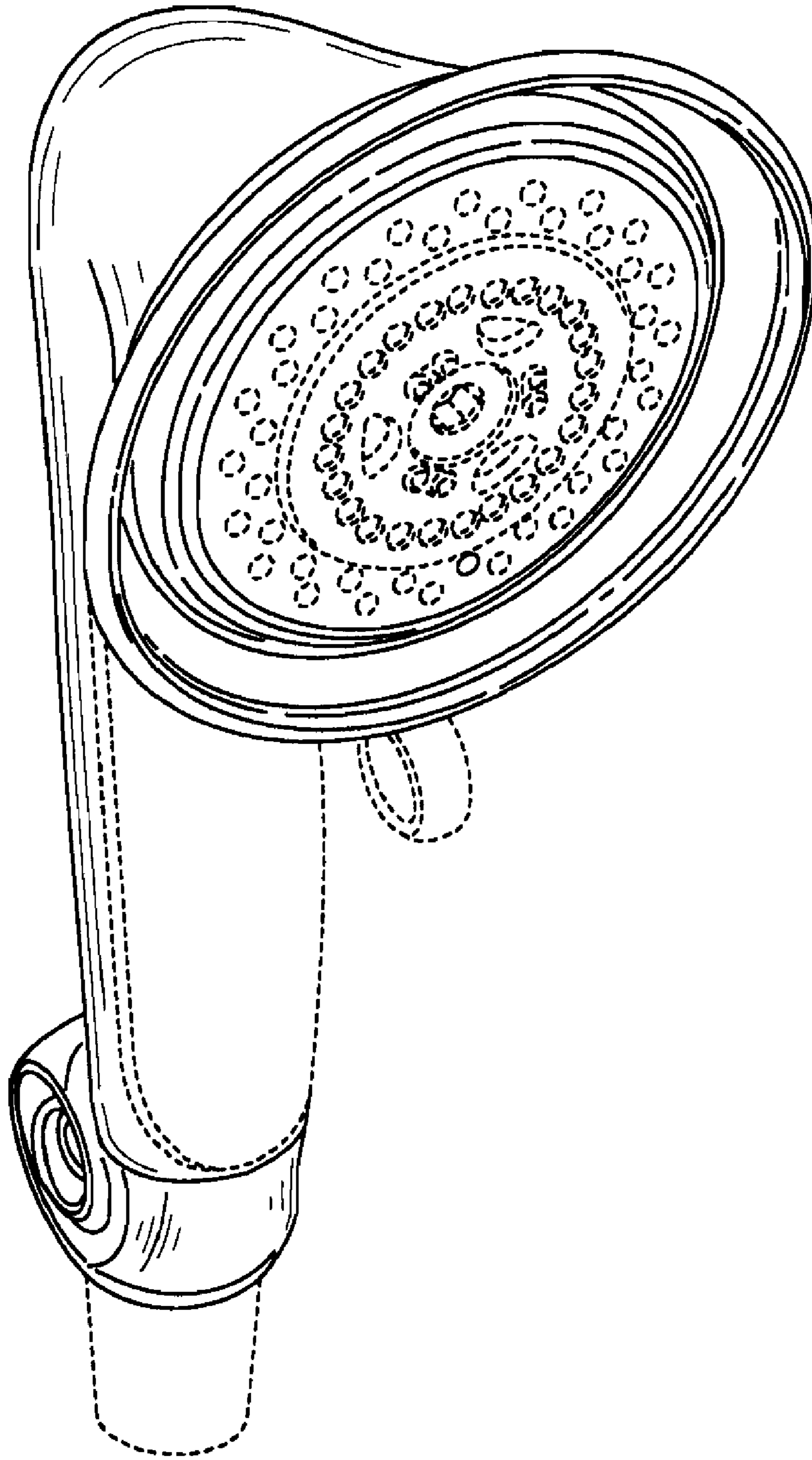


FIG. 1

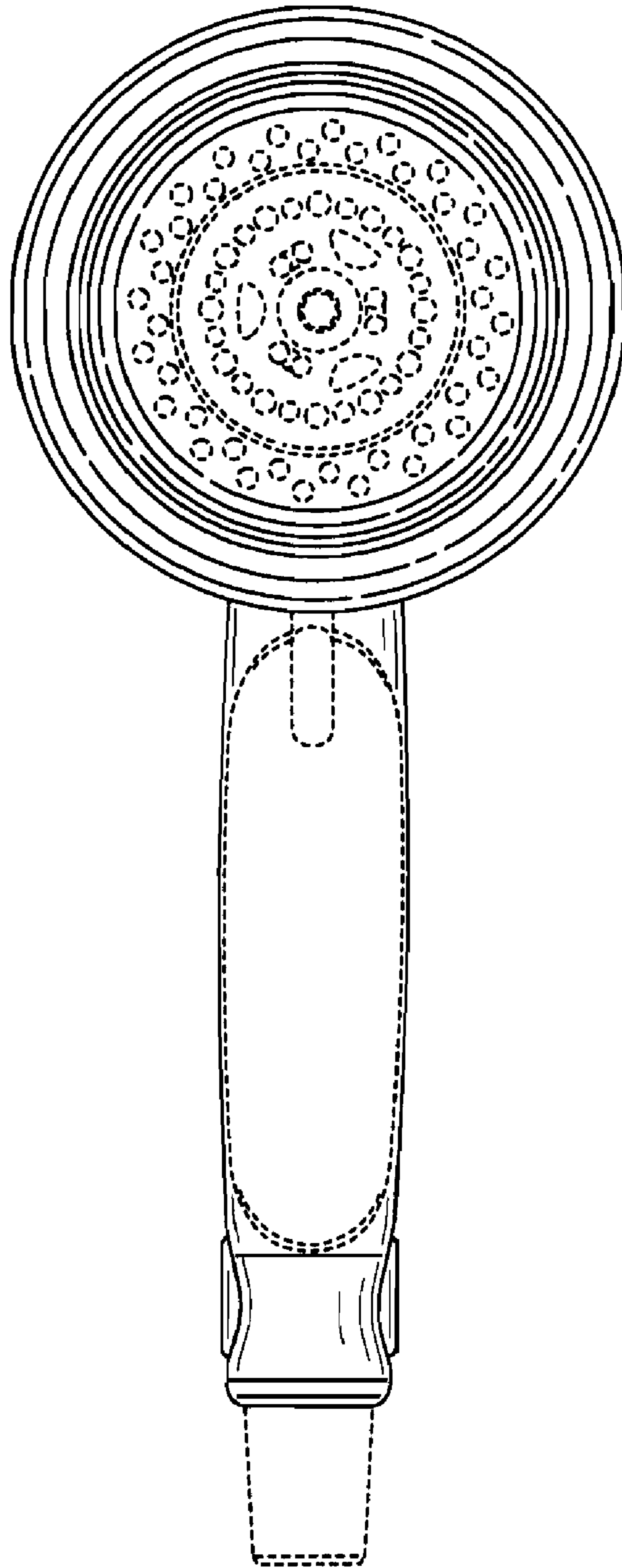


FIG. 2

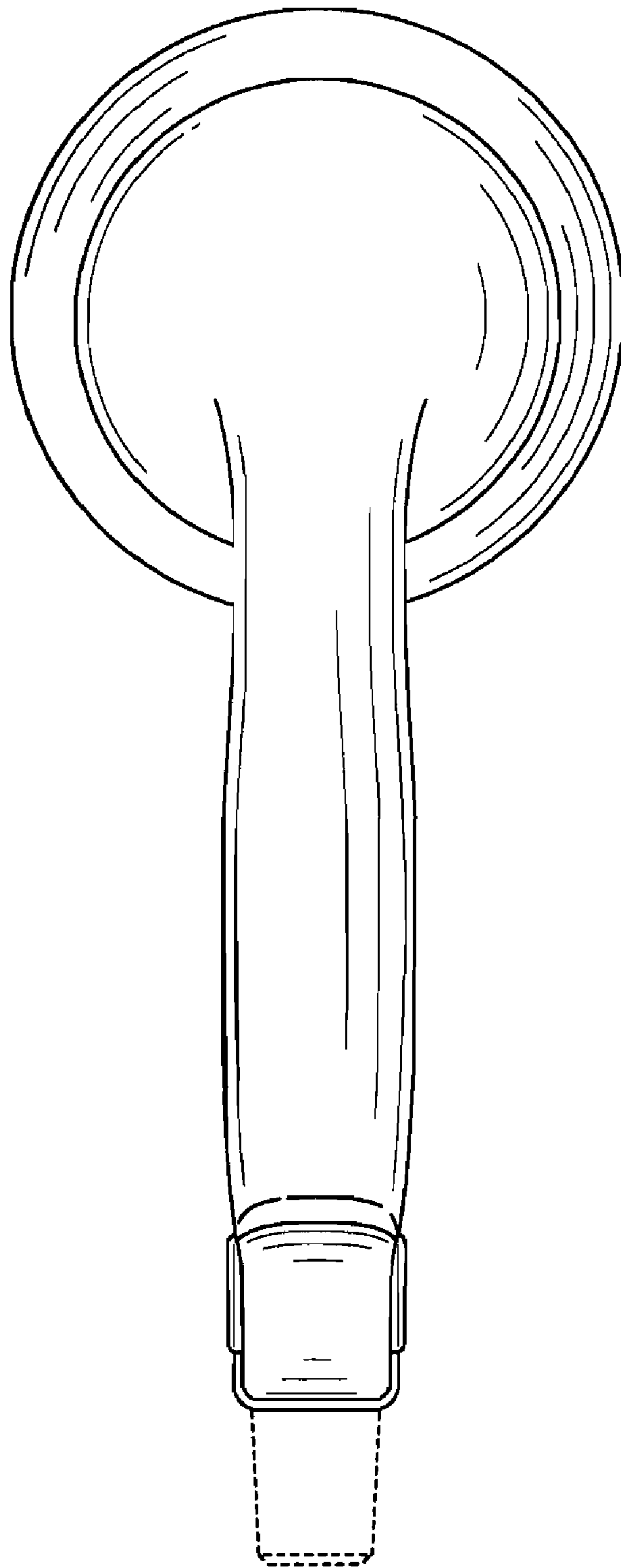


FIG. 3

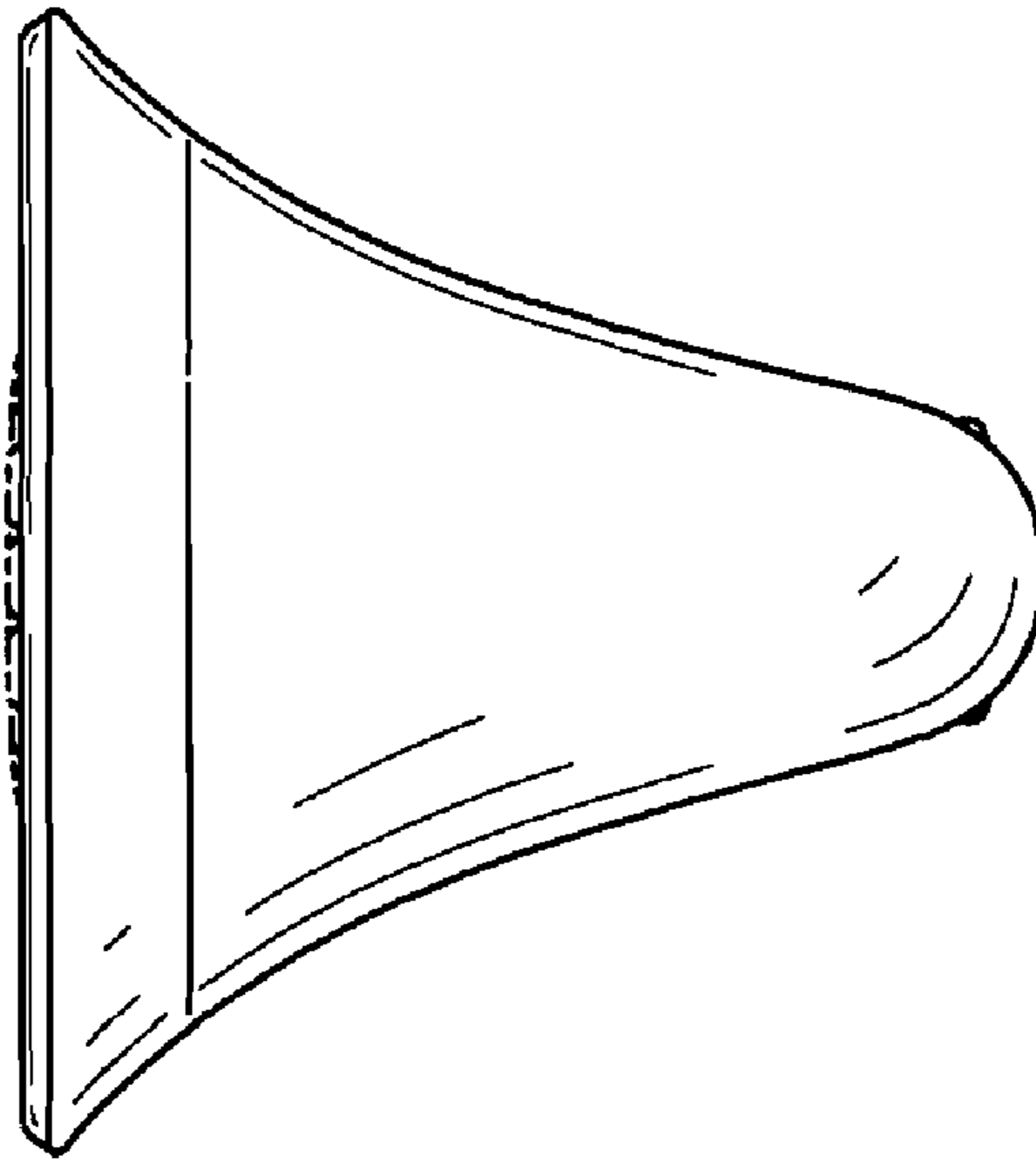


FIG. 4

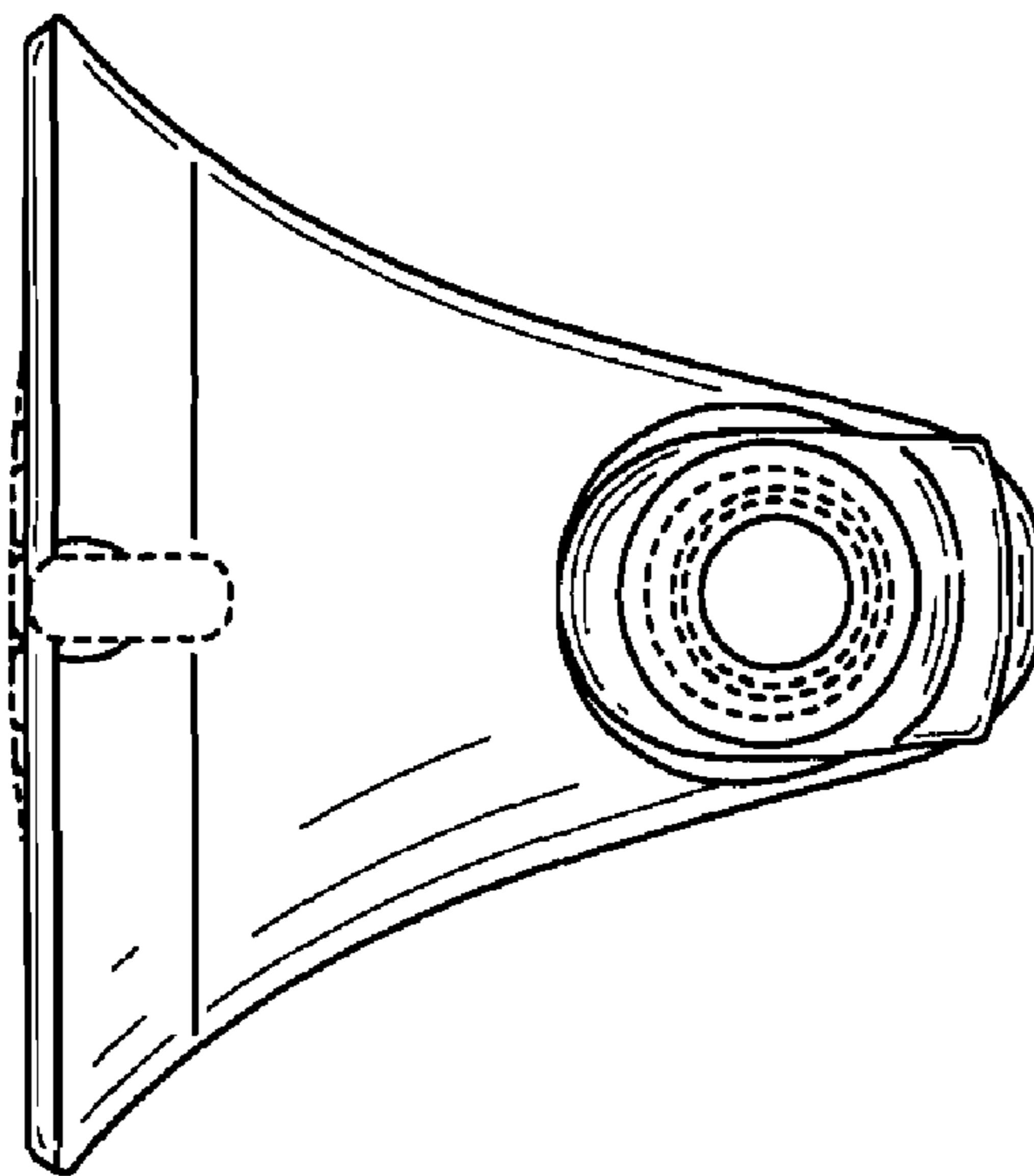


FIG. 5

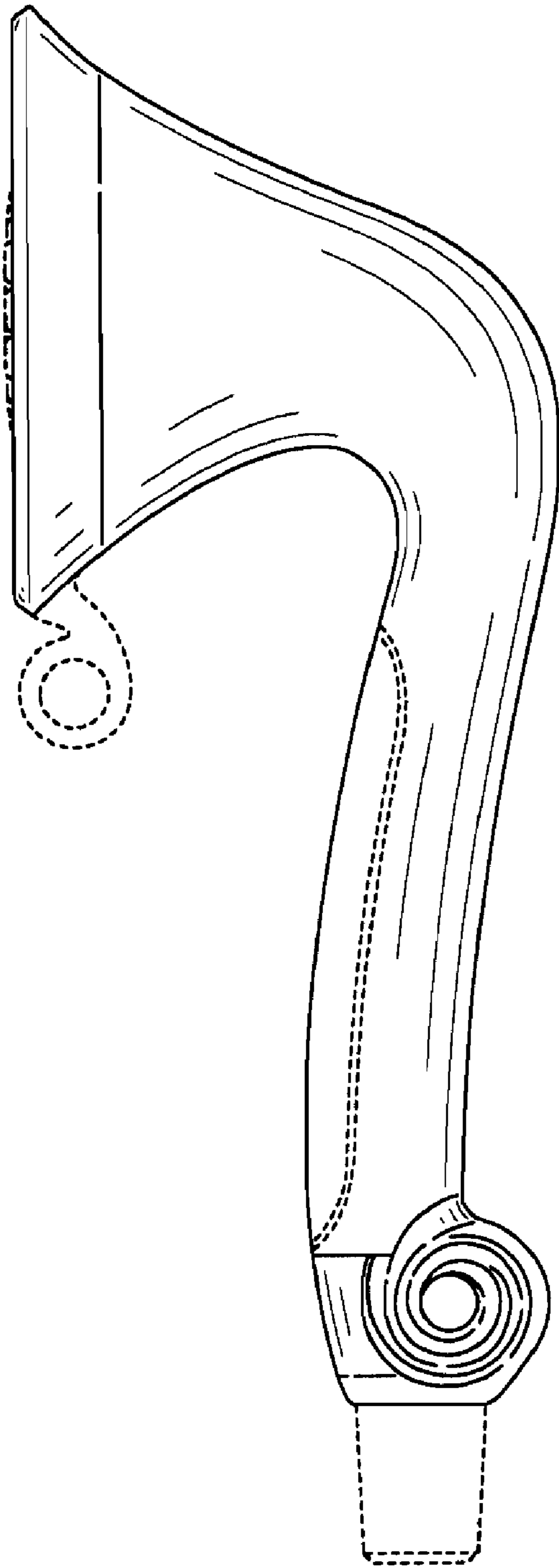


FIG. 6

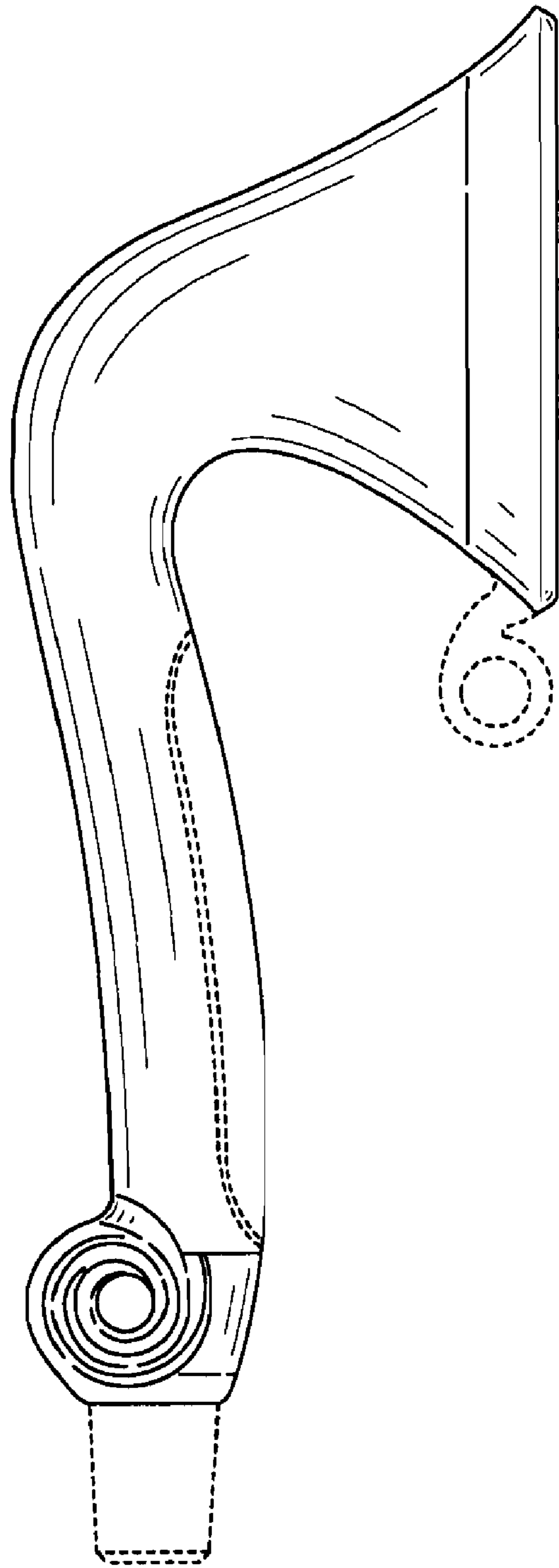


FIG. 7