



US00D565701S

(12) **United States Design Patent**  
**Tsai**

(10) **Patent No.:** **US D565,701 S**

(45) **Date of Patent:** **\*\* Apr. 1, 2008**

(54) **SPRAYER**

(75) Inventor: **Hsin-I Canny Tsai**, Sheboygan, WI (US)

(73) Assignee: **Kohler Co.**, Kohler, WI (US)

(\*\*) Term: **14 Years**

(21) Appl. No.: **29/279,691**

(22) Filed: **May 4, 2007**

(51) **LOC (8) Cl.** ..... **23-01**

(52) **U.S. Cl.** ..... **D23/223; D23/213**

(58) **Field of Classification Search** ..... D23/213,  
D23/223, 226; 239/525-527; 4/615

See application file for complete search history.

(56) **References Cited**

**U.S. PATENT DOCUMENTS**

D292,227 S	*	10/1987	Rudelick	.....	D23/226
D293,018 S	*	12/1987	Rudelick	.....	D23/226
D475,120 S	*	5/2003	Ouyoung	.....	D23/226
D506,244 S	*	6/2005	Burnworth et al.	.....	D23/226
D540,909 S	*	4/2007	Yu	.....	D23/226

**OTHER PUBLICATIONS**

Bissonnet. "THEO" Kitchen Sink Faucet with pull-out spray. Homeportfolio online catalog. Copyright 1997-2007 HomePortfolio Inc.

Blanco. "Wall Mounted Pot Filler" Model No. 157-065-CR PlumbingSupply.com online catalog. Copyright since 1995 PlumbingSupply.com.

KWC. "Domo Pull Out Kitchen Mixer" Homeportfolio online catalog. Copyright 1997-2007 HomePortfolio Inc.

Mico Designs. "Seashore Faucet with Pull-out Spray" Homeportfolio online catalog. Copyright 1997-2007 HomePortfolio Inc.

KWC. "Bliss" Homeportfolio online catalog. Copyright 1997-2007 HomePortfolio Inc.

KWC. "Deco Pull Out Kitchen Mixer" Homeportfolio online catalog. Copyright 1997-2007 HomePortfolio Inc.

Cambrian Collection. Kitchen Faucet. Single hold mounting.

\* cited by examiner

*Primary Examiner*—Robin V Webster

(74) *Attorney, Agent, or Firm*—Quarles & Brady LLP

(57) **CLAIM**

The ornamental design for a sprayer as shown and described.

**DESCRIPTION**

In a preferred embodiment, the nature of this product is as a plumbing fitting in the form of a sprayer for spraying water to wash various items and/or body parts.

FIG. 1 is a left, top, front perspective view of a sprayer embodying my new design;

FIG. 2 is a left side elevational view thereof;

FIG. 3 is a right side elevational view thereof;

FIG. 4 is a front elevational view thereof;

FIG. 5 is a rear elevational view thereof;

FIG. 6 is a top plan view thereof; and,

FIG. 7 is a bottom plan view thereof.

The broken line representations of in the figures are for the purpose of illustration only, and form no part of the claimed design.

**1 Claim, 4 Drawing Sheets**

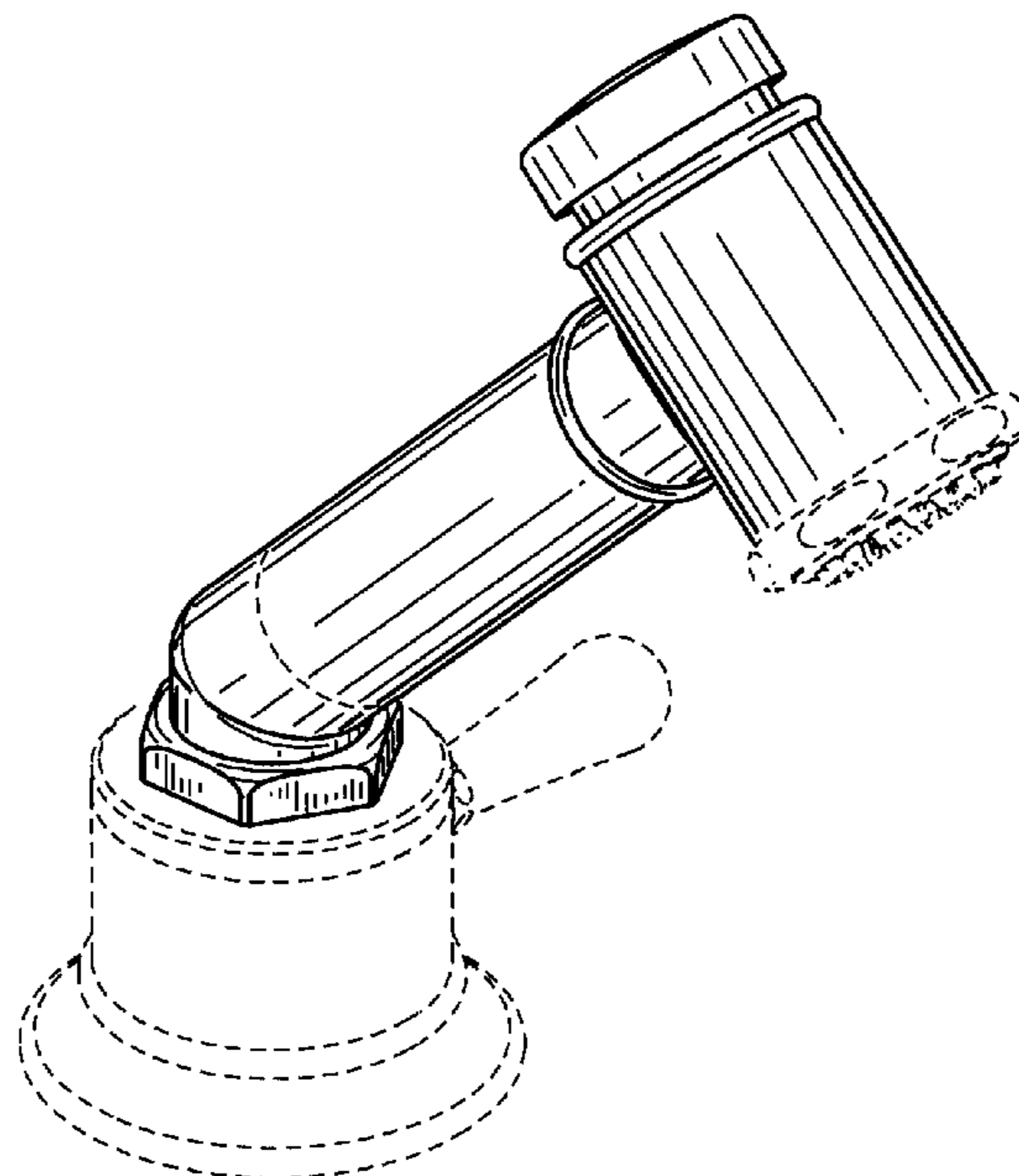


FIG. 1

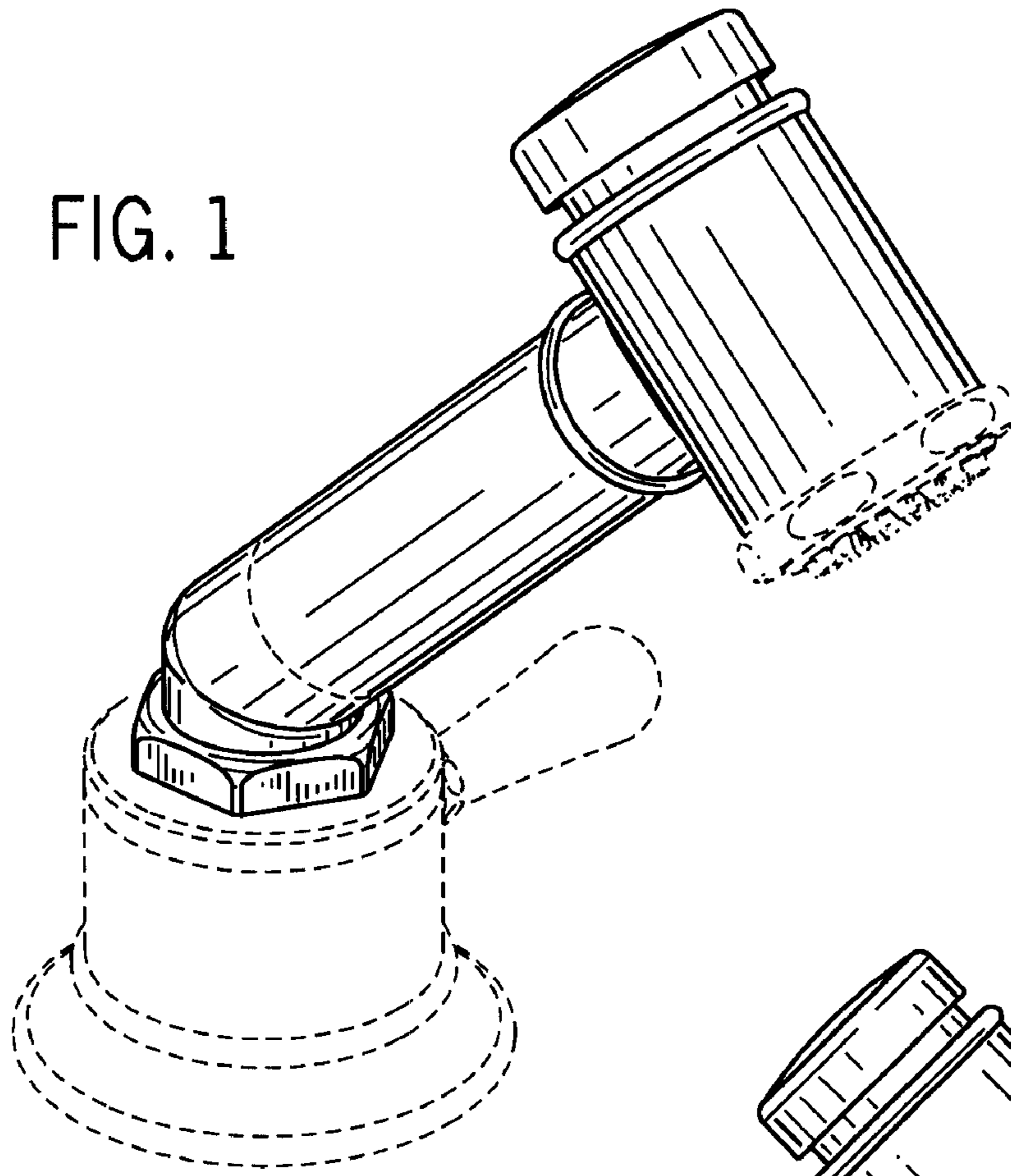
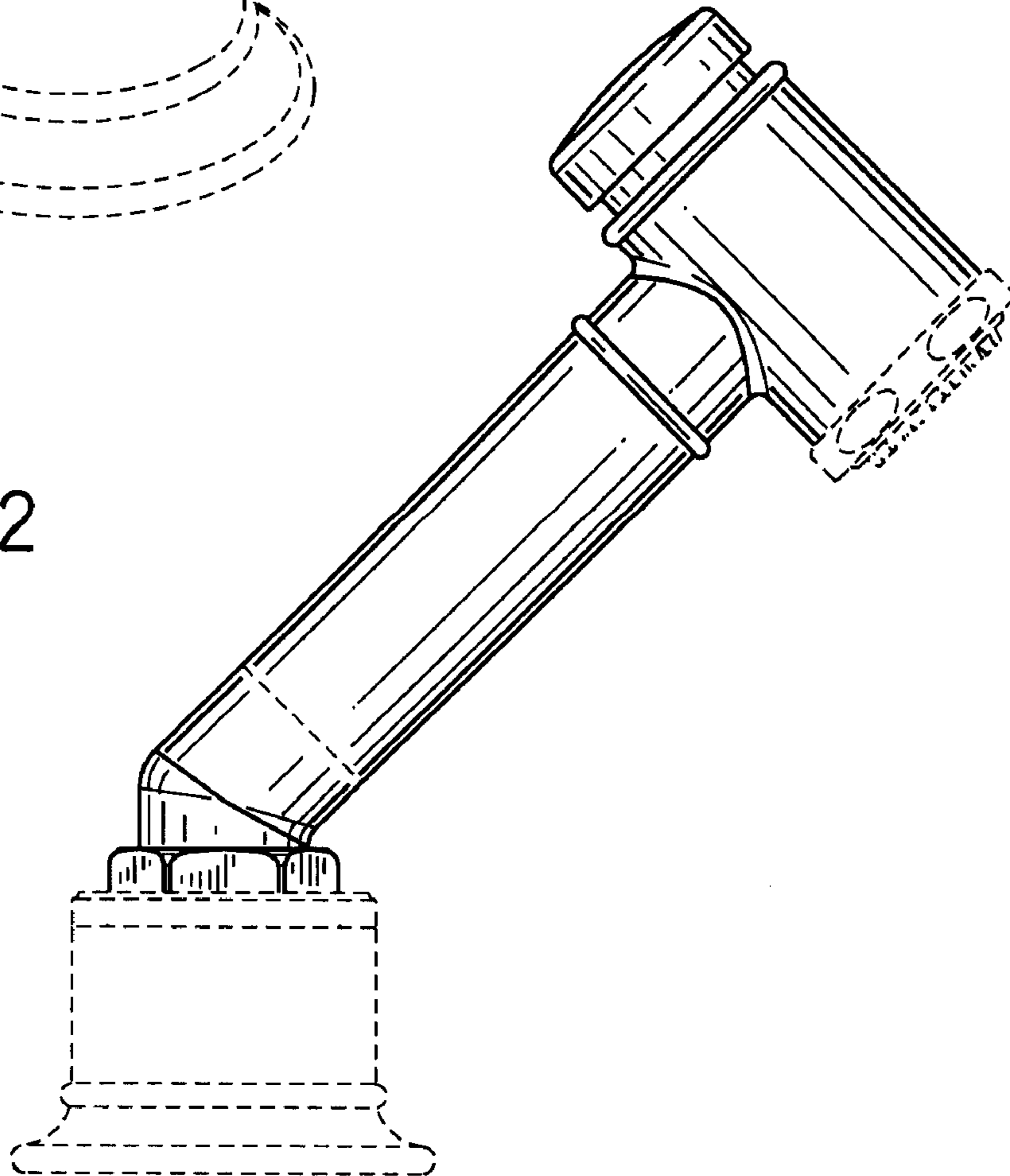


FIG. 2



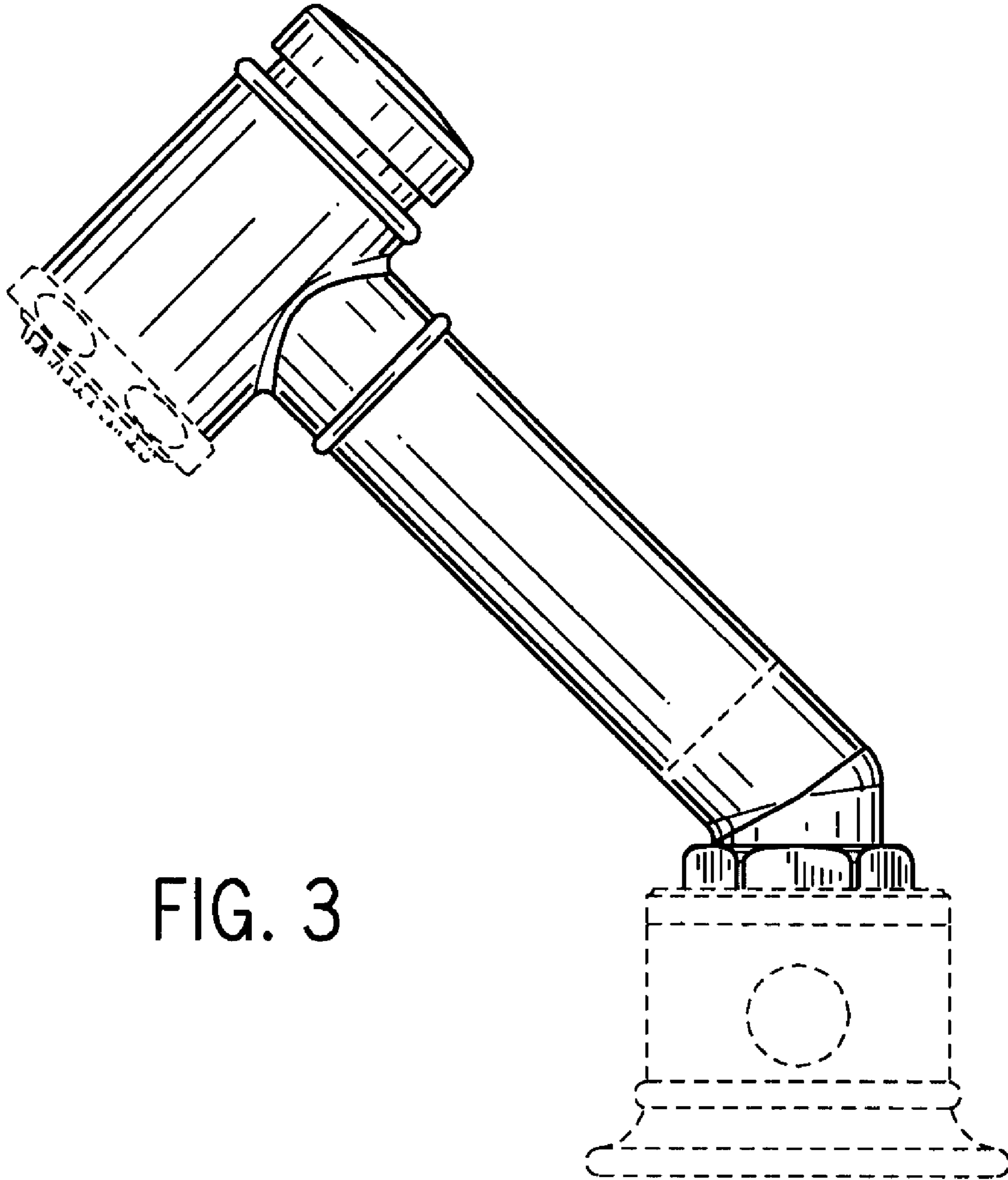


FIG. 3

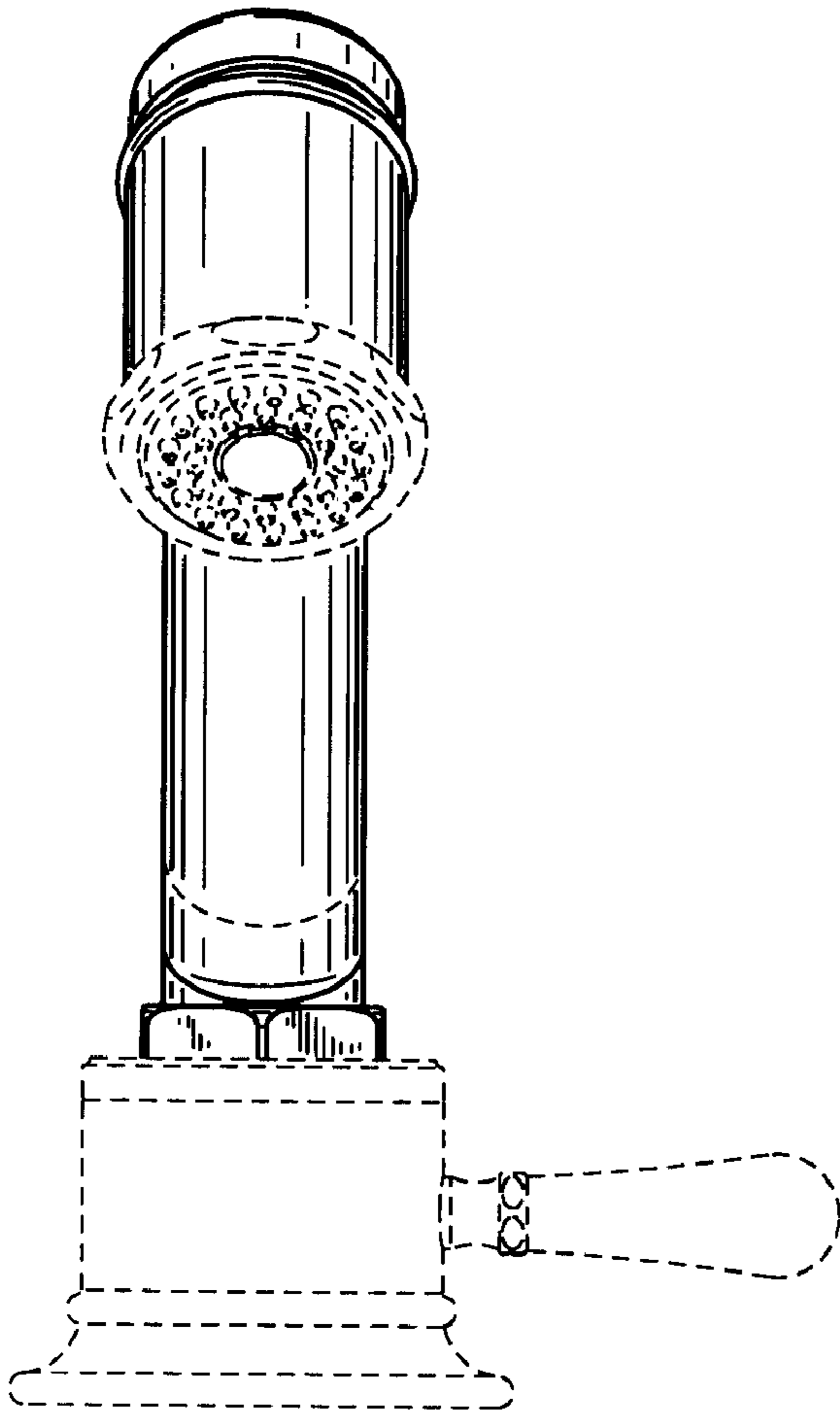


FIG. 4

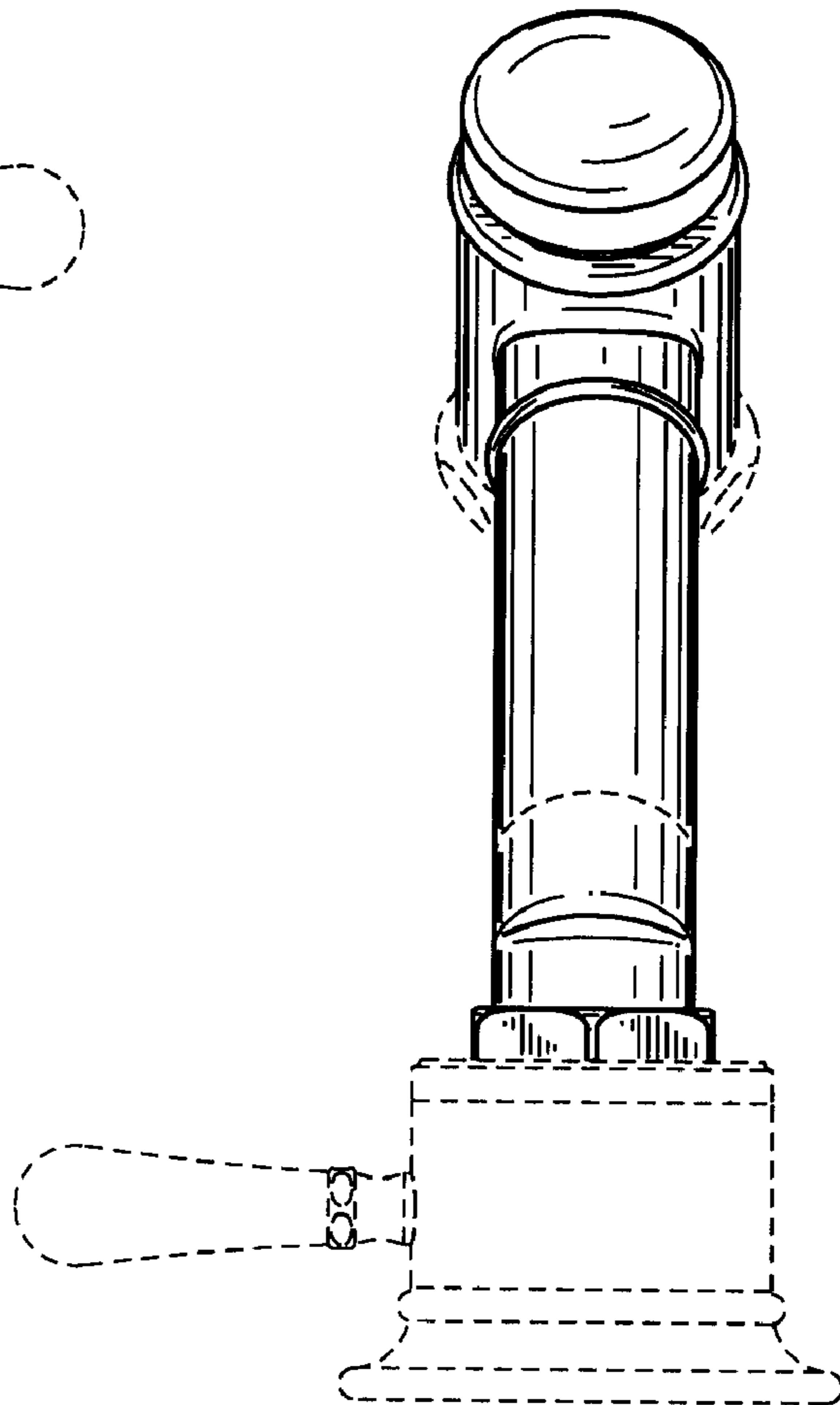


FIG. 5

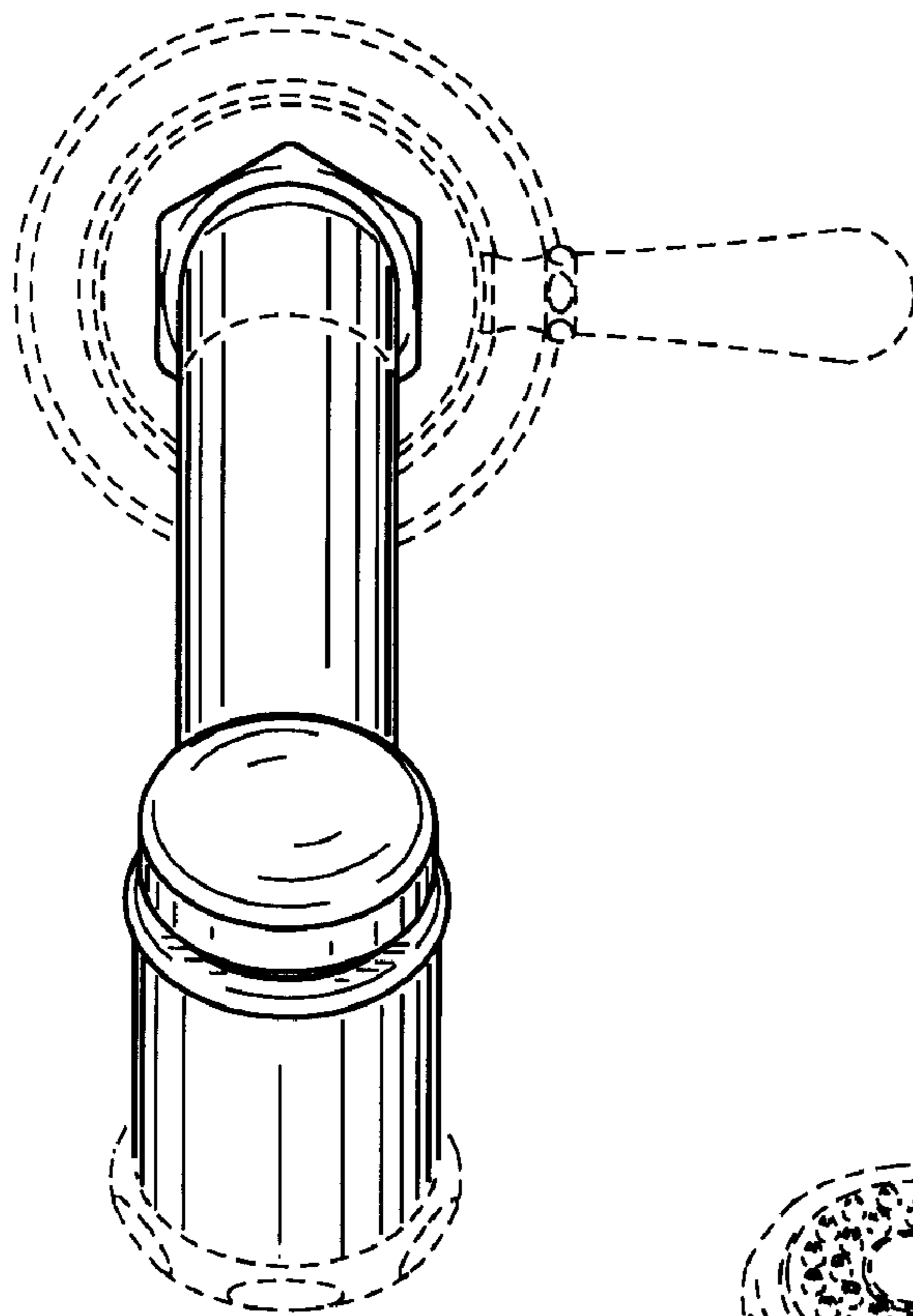


FIG. 6

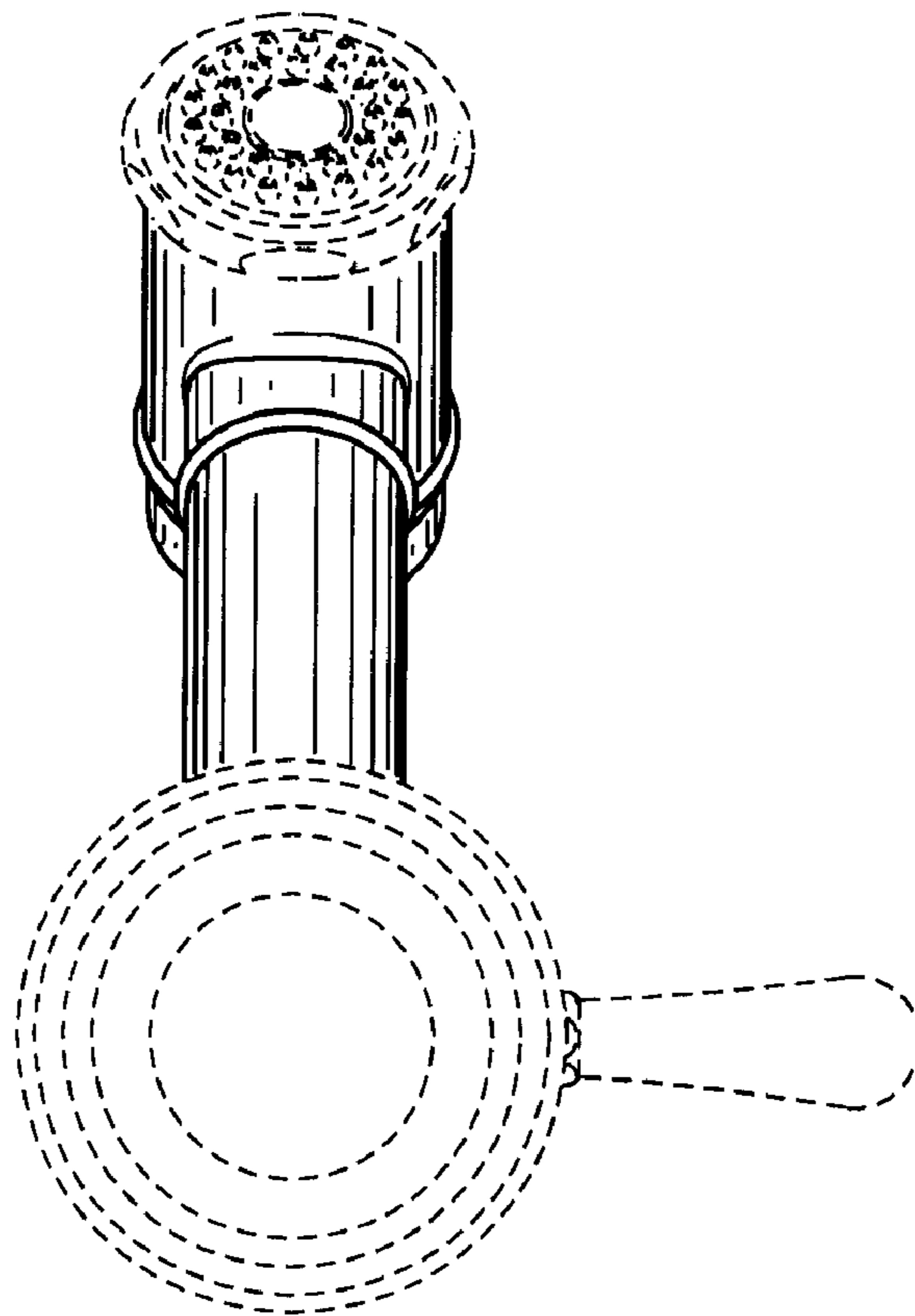


FIG. 7