

US00D565700S

(12) **United States Design Patent**  
**Chen**

(10) **Patent No.:** **US D565,700 S**

(45) **Date of Patent:** **\*\* Apr. 1, 2008**

(54) **WATER SPRAYER**

D496,430 S \* 9/2004 Kuo ..... D23/223  
D515,662 S \* 2/2006 Chen ..... D23/223

(75) Inventor: **Chin-Yuan Chen**, Changhua Hsien  
(TW)

\* cited by examiner

(73) Assignee: **Shin Tai Spurt Water of the Garden  
Tools Co., Ltd.**, Changhua Hsien (TW)

*Primary Examiner*—Robin V Webster  
(74) *Attorney, Agent, or Firm*—Alan Kamrath; Kamrath &  
Associates PA

(\*\*) Term: **14 Years**

(57) **CLAIM**

(21) Appl. No.: **29/278,991**

The ornamental design for a water sprayer, as shown and  
described.

(22) Filed: **Apr. 17, 2007**

(51) **LOC (8) Cl.** ..... **23-01**

(52) **U.S. Cl.** ..... **D23/223**

(58) **Field of Classification Search** ..... D23/213,  
D23/223, 226; 239/394, 525–526  
See application file for complete search history.

**DESCRIPTION**

FIG. 1 is a perspective view of a water sprayer showing my  
new design;

FIG. 2 is a front elevational view thereof;

FIG. 3 is a rear elevational view thereof;

FIG. 4 is a left side elevational view thereof;

FIG. 5 is a right side elevational view thereof;

FIG. 6 is a top plan view thereof; and,

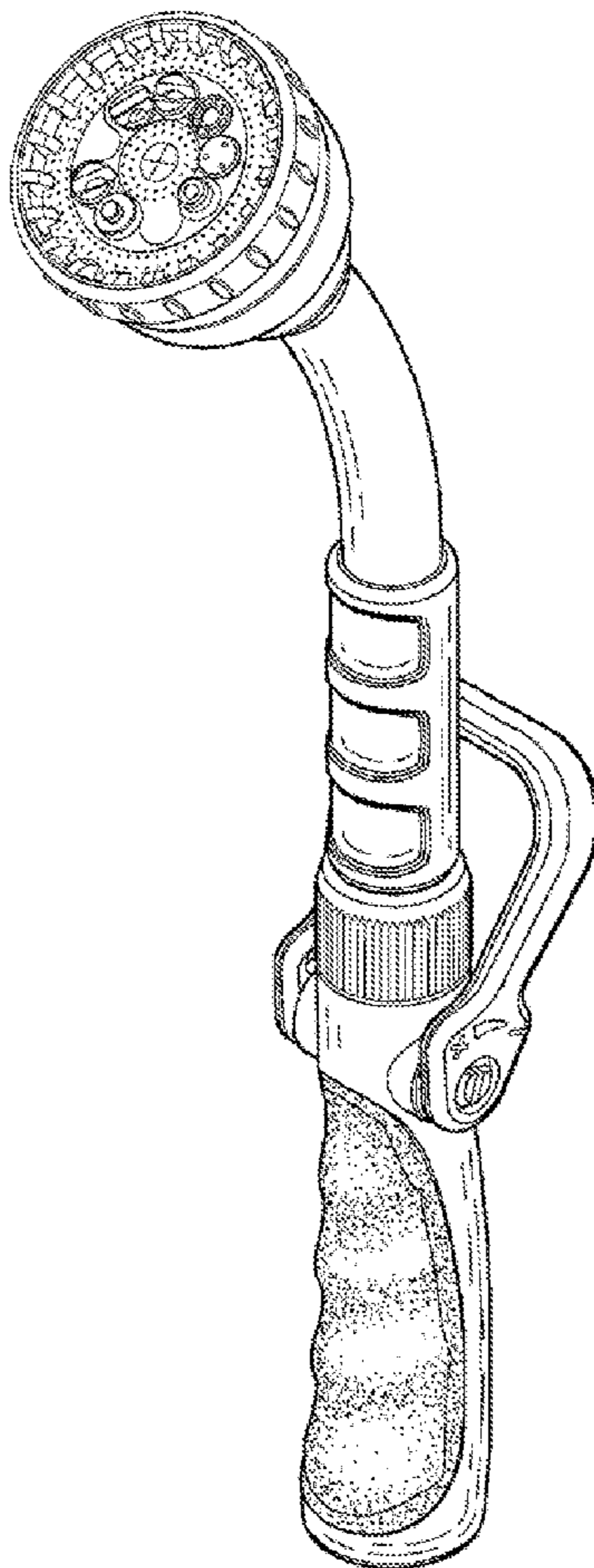
FIG. 7 is a bottom plan view thereof.

(56) **References Cited**

U.S. PATENT DOCUMENTS

D433,099 S \* 10/2000 Chao ..... D23/226  
D472,605 S \* 4/2003 Nien ..... D23/223  
D479,302 S \* 9/2003 Chen ..... D23/213  
D491,252 S \* 6/2004 Chen ..... D23/223

**1 Claim, 4 Drawing Sheets**



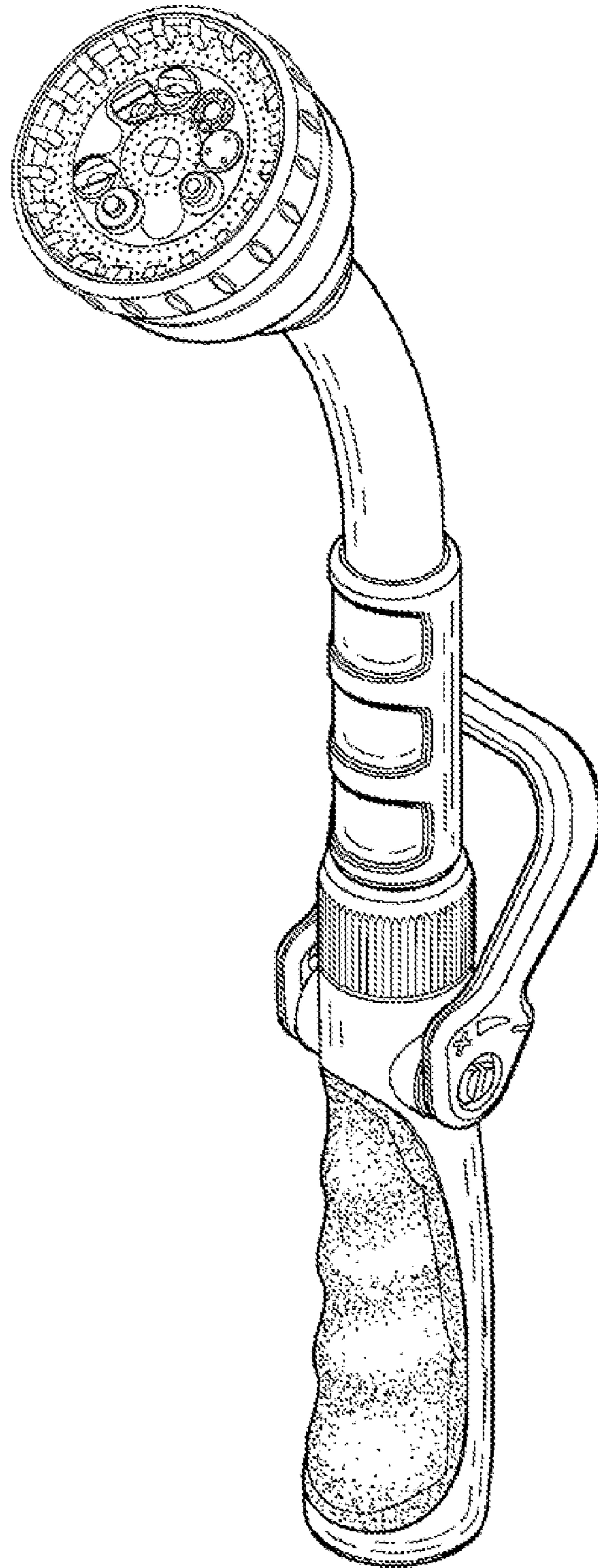


FIG. 1

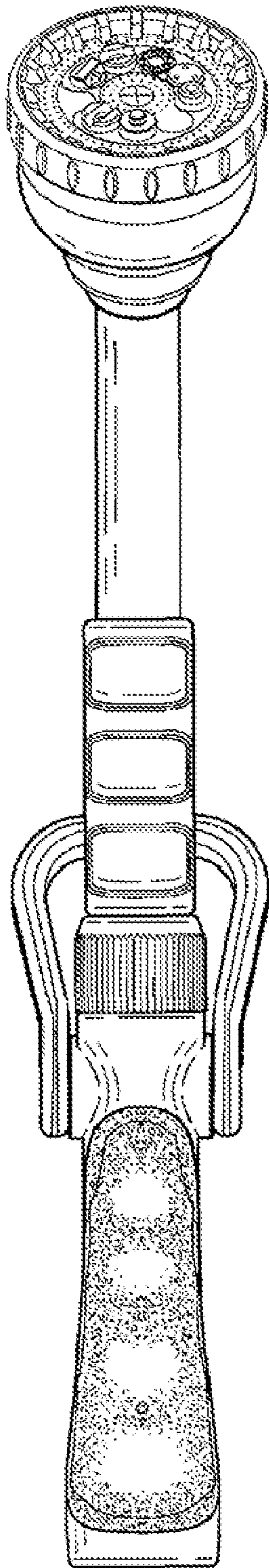


FIG. 2

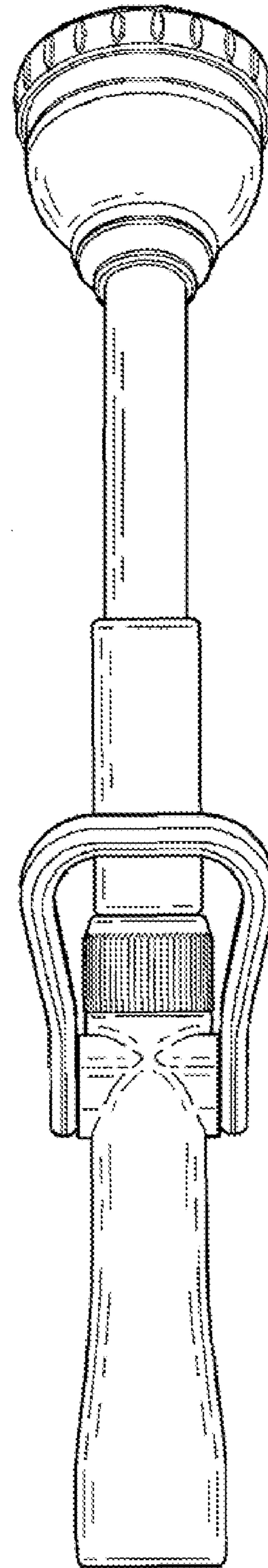


FIG. 3



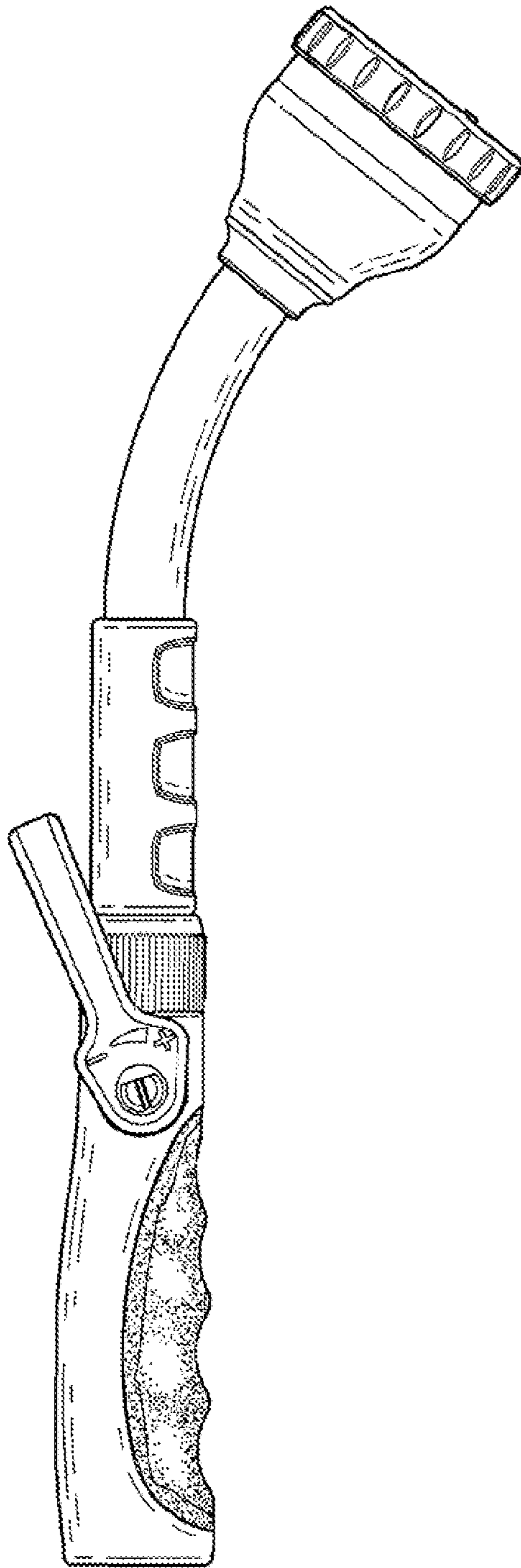


FIG. 4

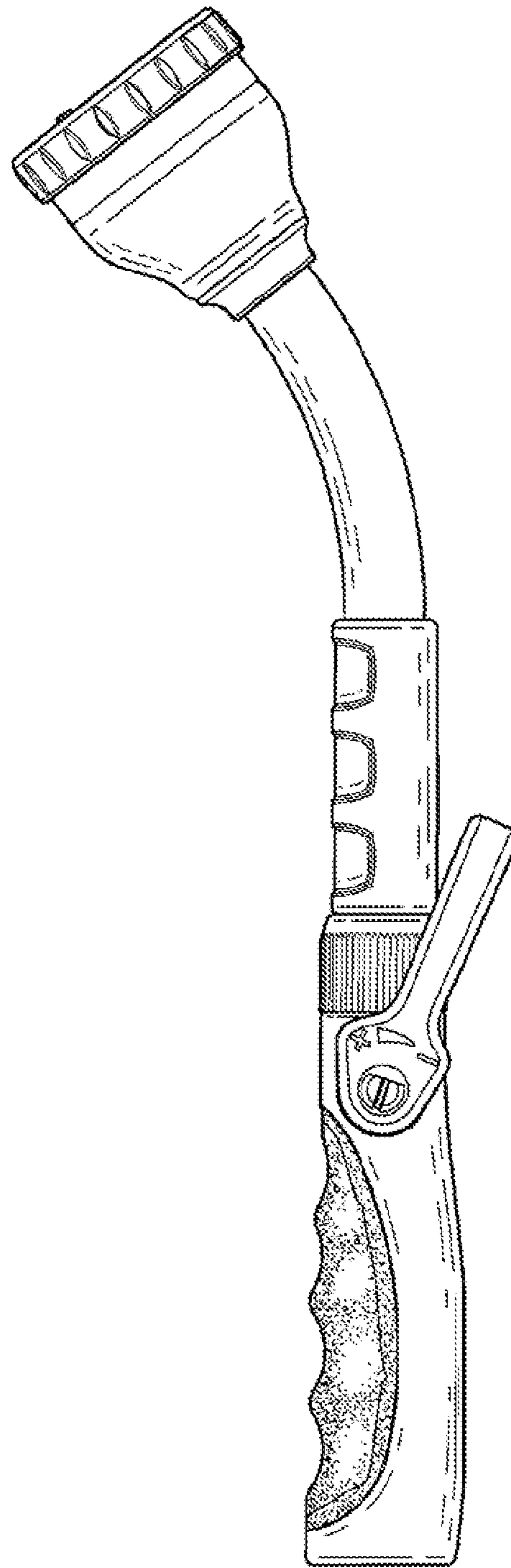


FIG. 5

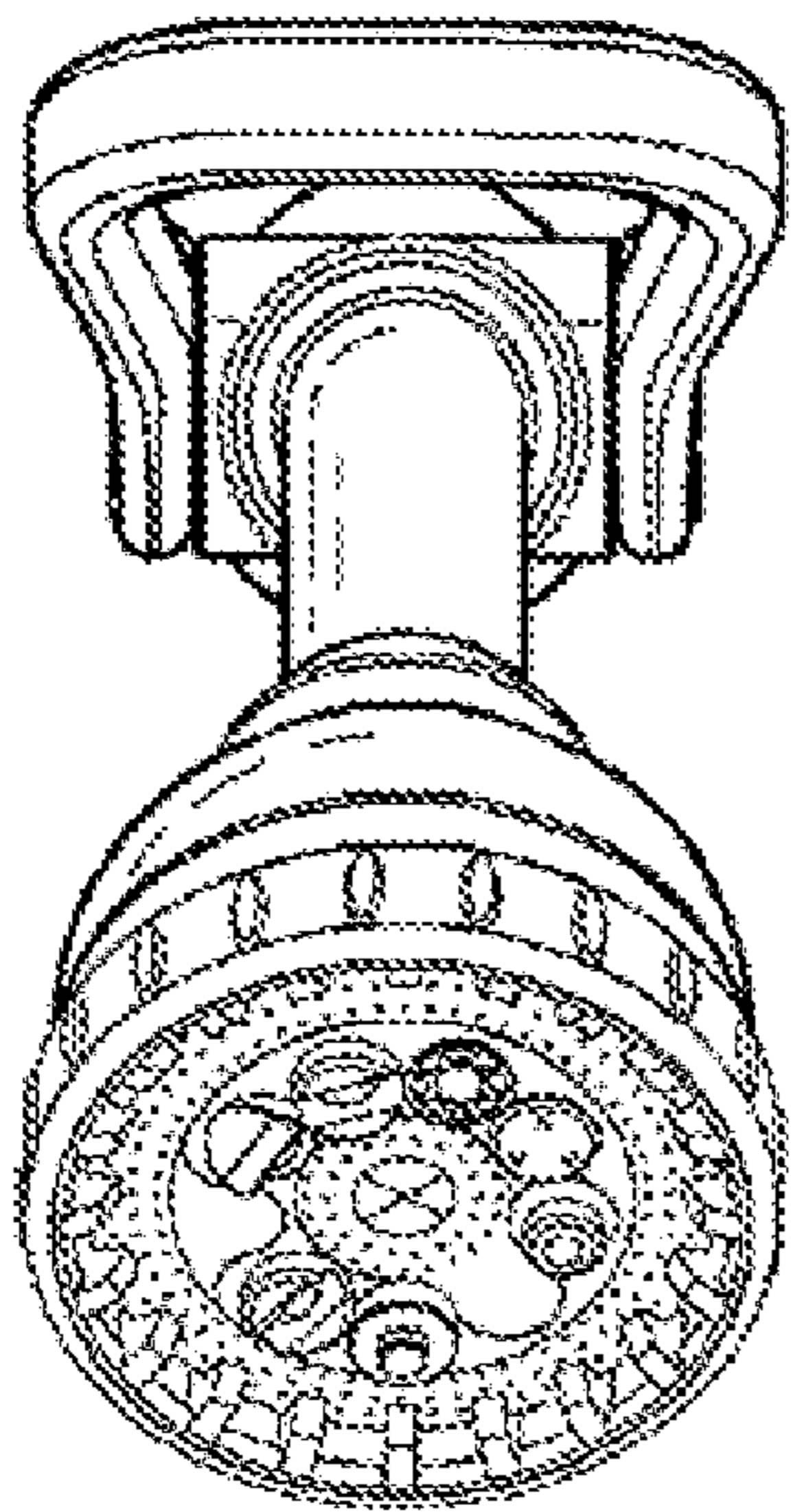


FIG. 6

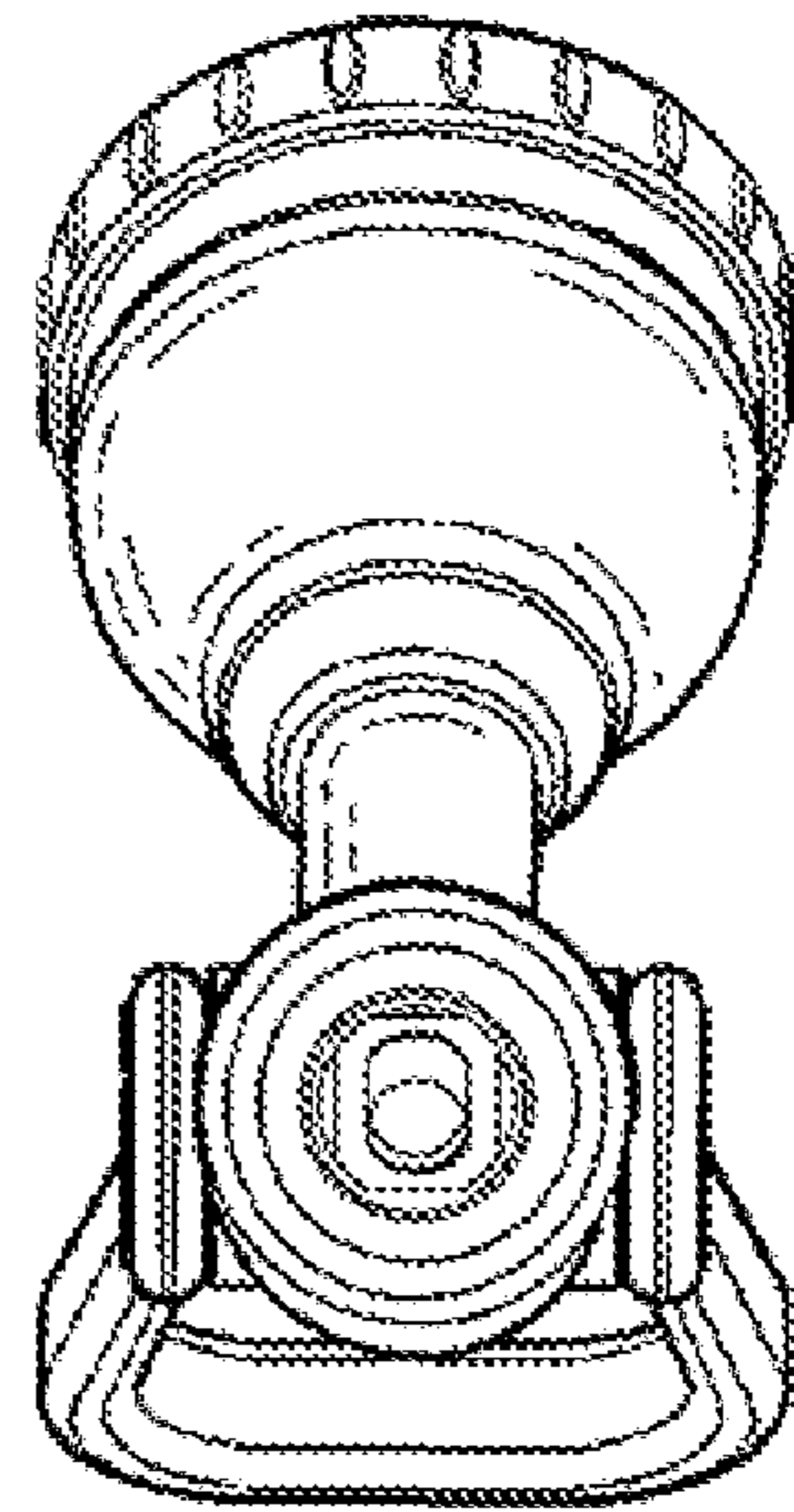


FIG. 7