



US00D565698S

(12) **United States Design Patent**
Chen

(10) **Patent No.:** **US D565,698 S**

(45) **Date of Patent:** **** Apr. 1, 2008**

(54) **POWER GUN BODY**

(76) Inventor: **Kuo-Liang Chen**, No. 246-1, Changma Rd., Changhua (TW)

(**) Term: **14 Years**

(21) Appl. No.: **29/270,607**

(22) Filed: **Dec. 27, 2006**

(51) **LOC (8) Cl.** **23-01**

(52) **U.S. Cl.** **D23/223**

(58) **Field of Classification Search** D23/213,
D23/223, 229-230; 239/282-3, 525-527,
239/394

See application file for complete search history.

(56) **References Cited**

U.S. PATENT DOCUMENTS

D399,918 S * 10/1998 Huen D23/223

D546,919 S * 7/2007 Dingler et al. D23/223

D547,419 S * 7/2007 Chen D23/213

* cited by examiner

Primary Examiner—Robin V. Webster

(74) *Attorney, Agent, or Firm*—Charles E. Baxley

(57) **CLAIM**

The ornamental design for a power gun body, as shown and described.

DESCRIPTION

FIG. 1 is a perspective view of a power gun body, showing my new design;

FIG. 2 is a front view thereof;

FIG. 3 is a rear view thereof;

FIG. 4 is a left side view thereof;

FIG. 5 is a right side view thereof;

FIG. 6 is a top view thereof;

FIG. 7 is a bottom view thereof;

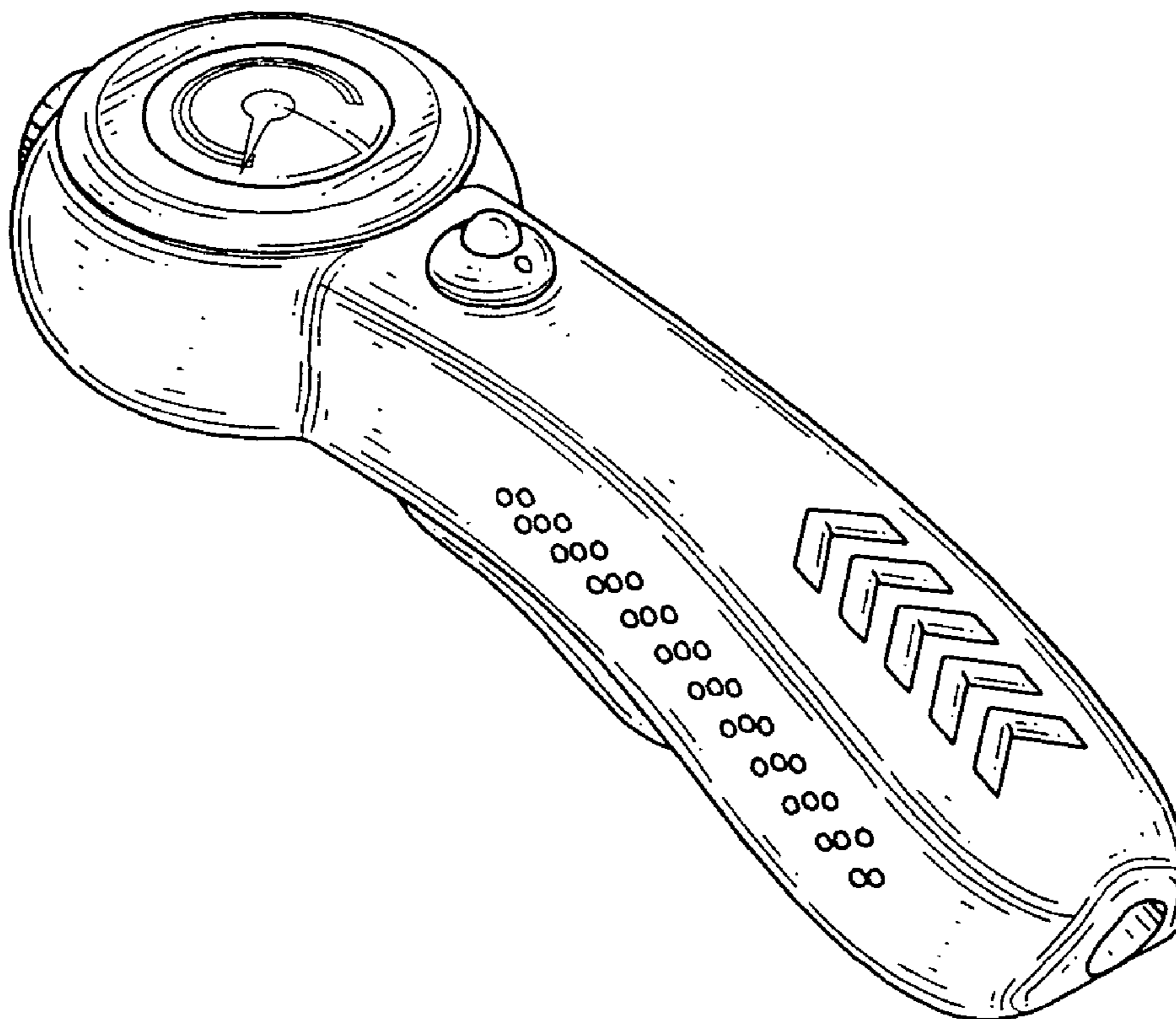
FIG. 8 is a referential front view of a first embodiment of the claimed design, wherein the broken lines are shown for illustrative purposes only and form no part of the claimed design;

FIG. 9 is a referential front view of a second embodiment of the claimed design, wherein the broken lines are shown for illustrative purposes only and form no part of the claimed design;

FIG. 10 is a referential front view of a third embodiment of the claimed design, wherein the broken lines are shown for illustrative purposes only and form no part of the claimed design; and,

FIG. 11 is a referential front view of a fourth embodiment of the claimed design, wherein the broken lines are shown for illustrative purposes only and form no part of the claimed design.

1 Claim, 8 Drawing Sheets



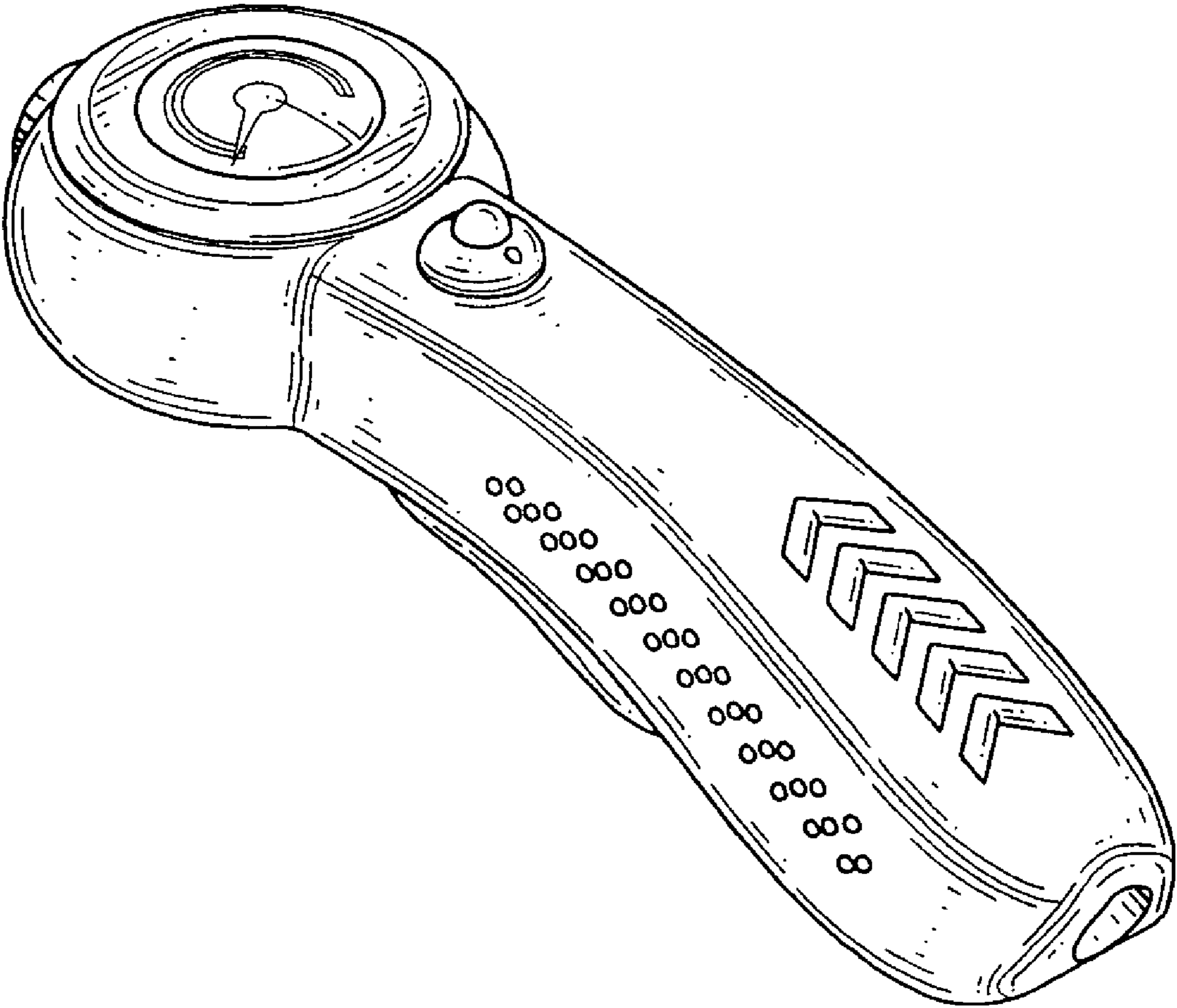


FIG.1

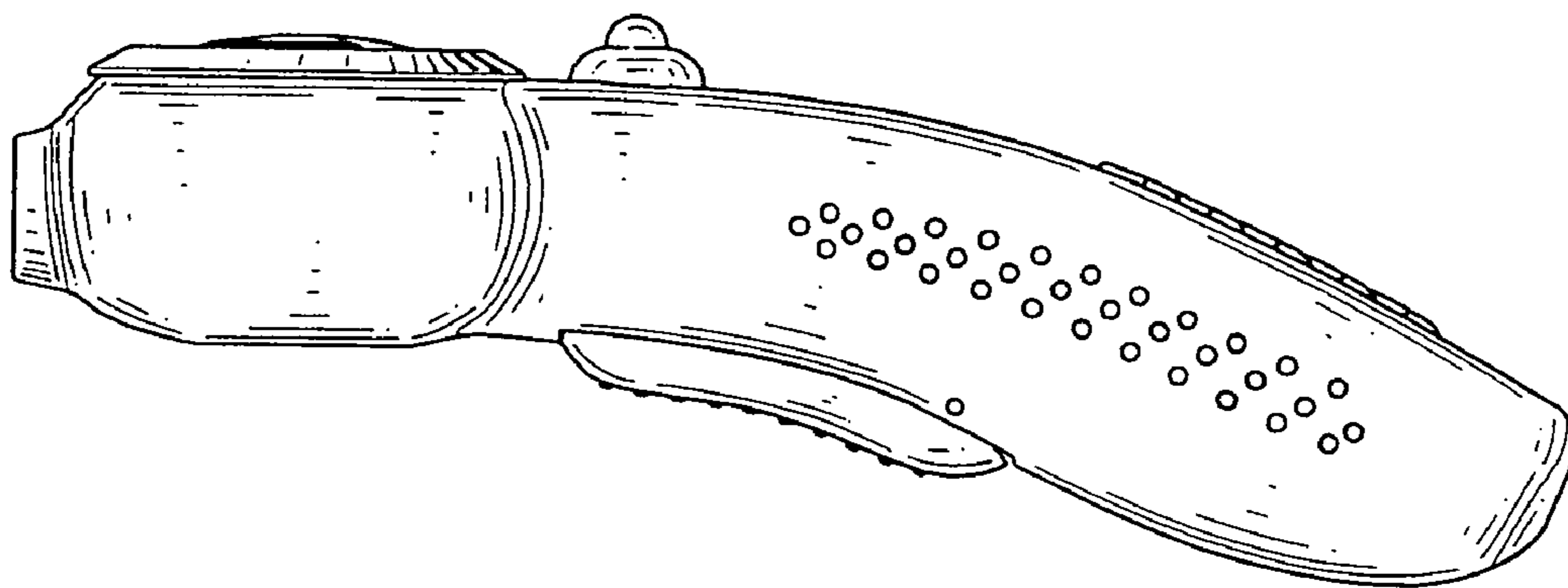


FIG. 2

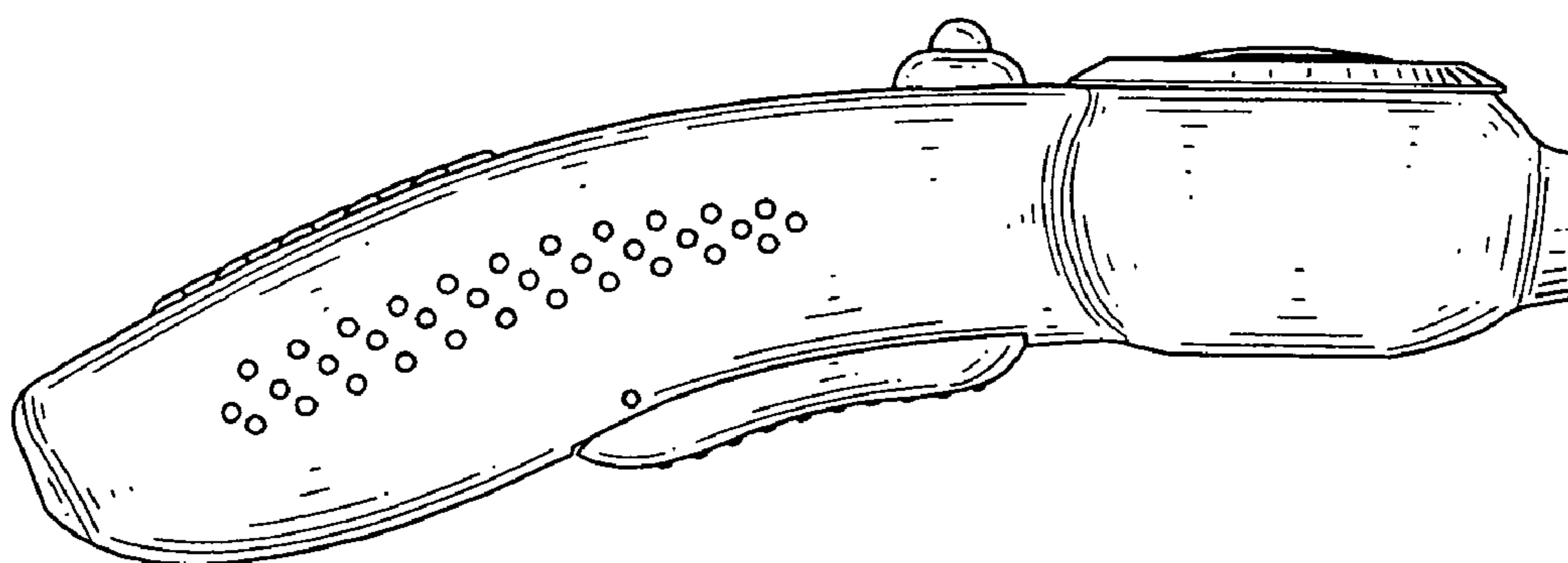


FIG. 3

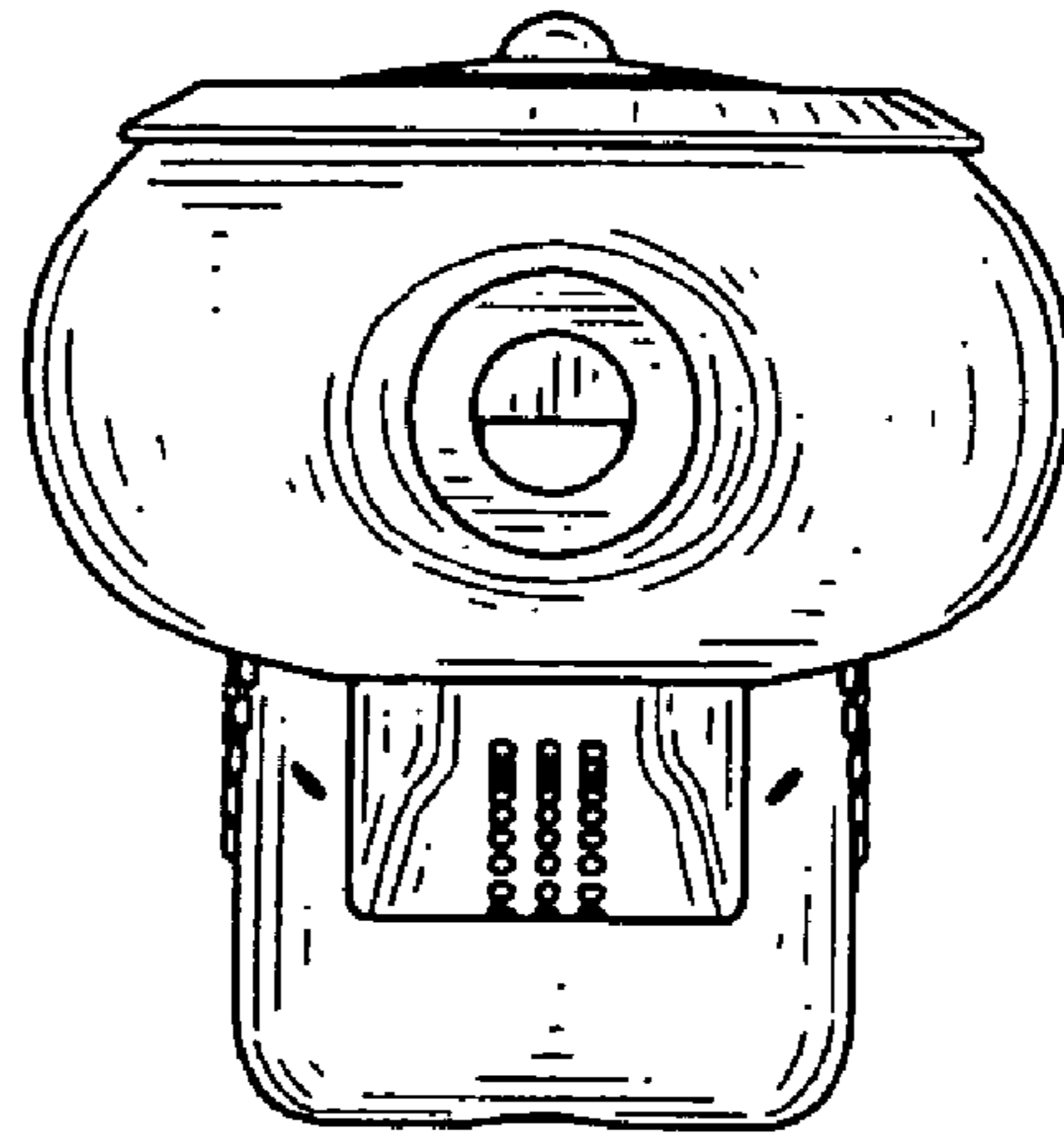


FIG. 4

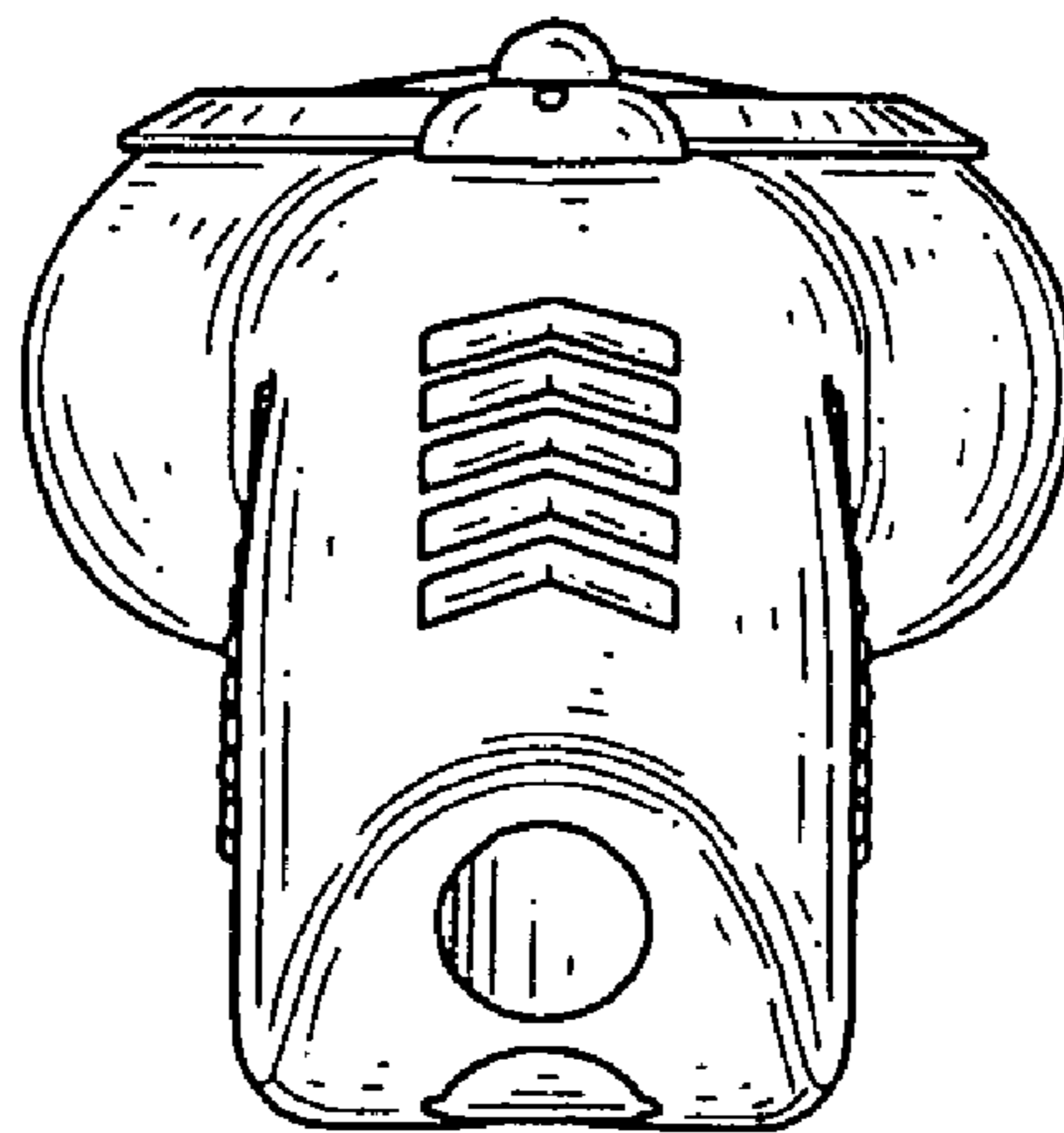


FIG. 5

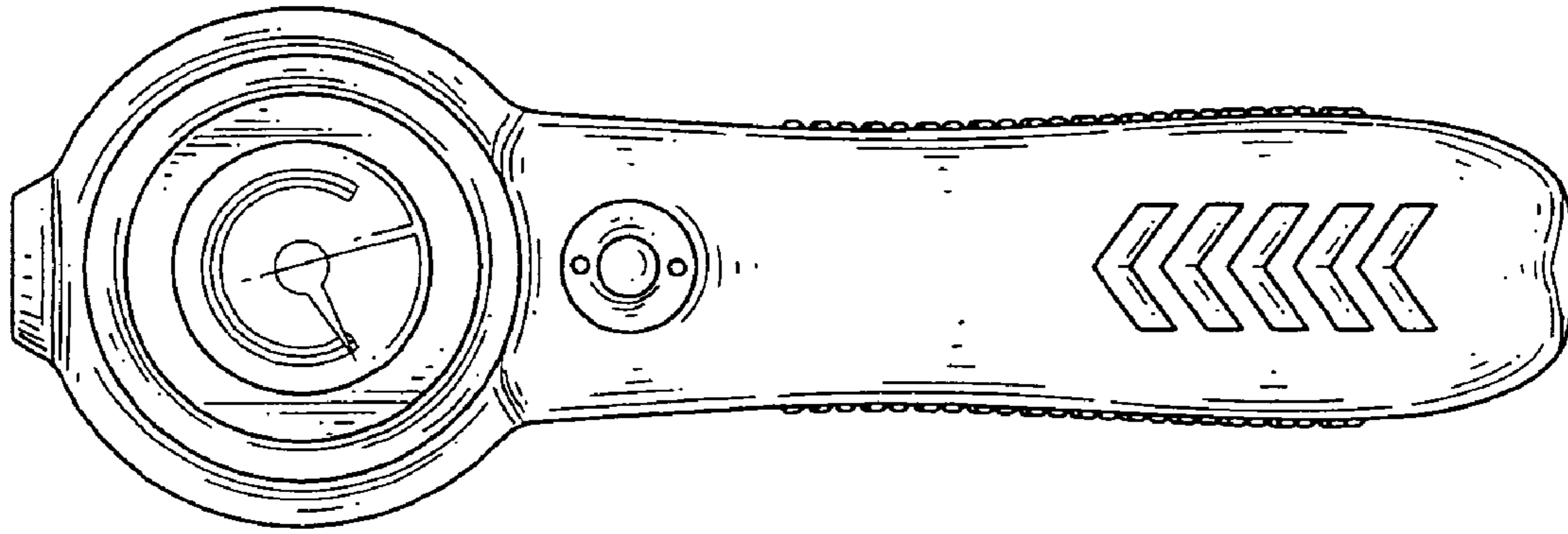


FIG. 6

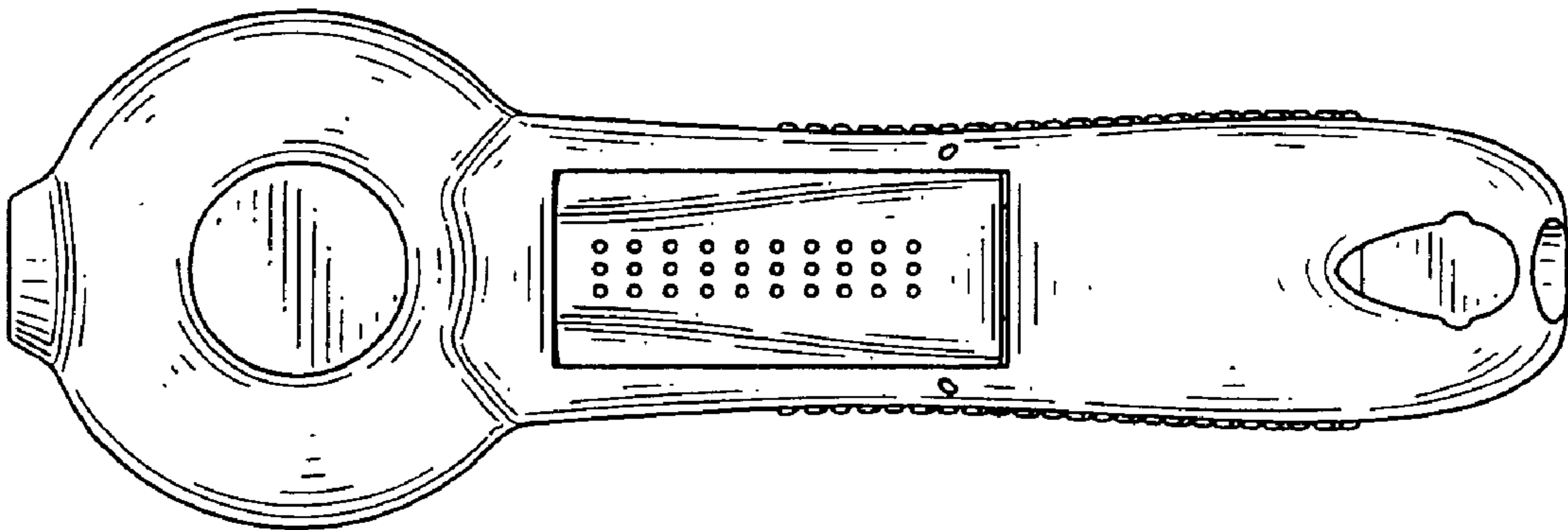


FIG. 7

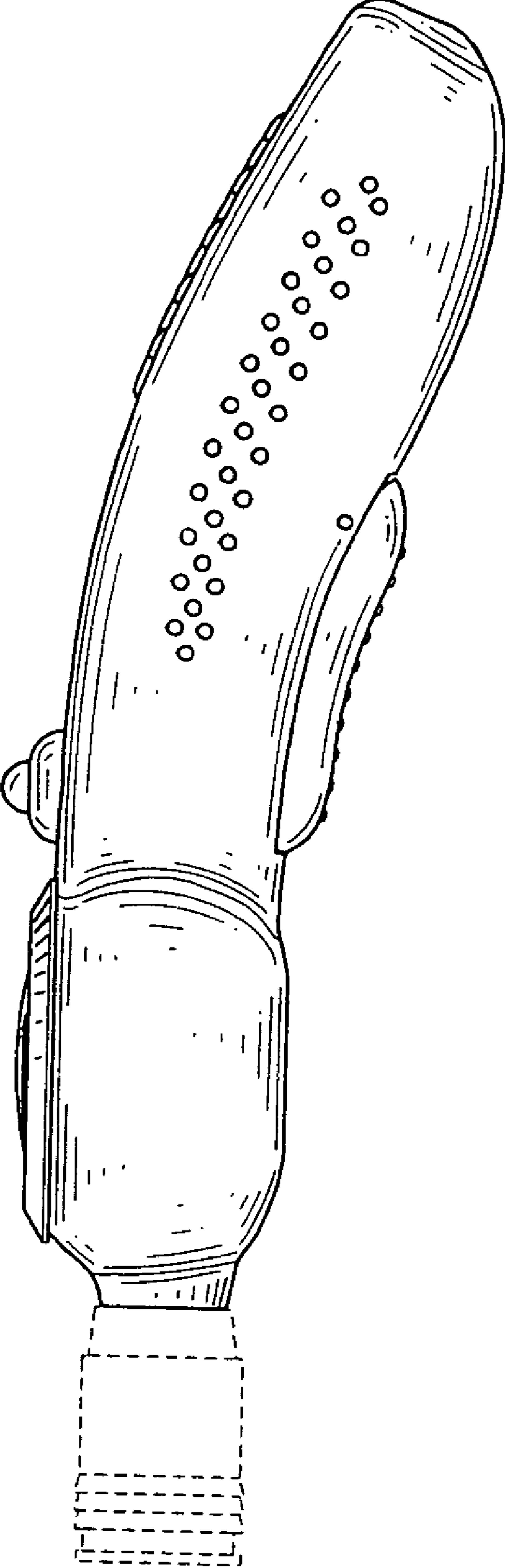


FIG.8

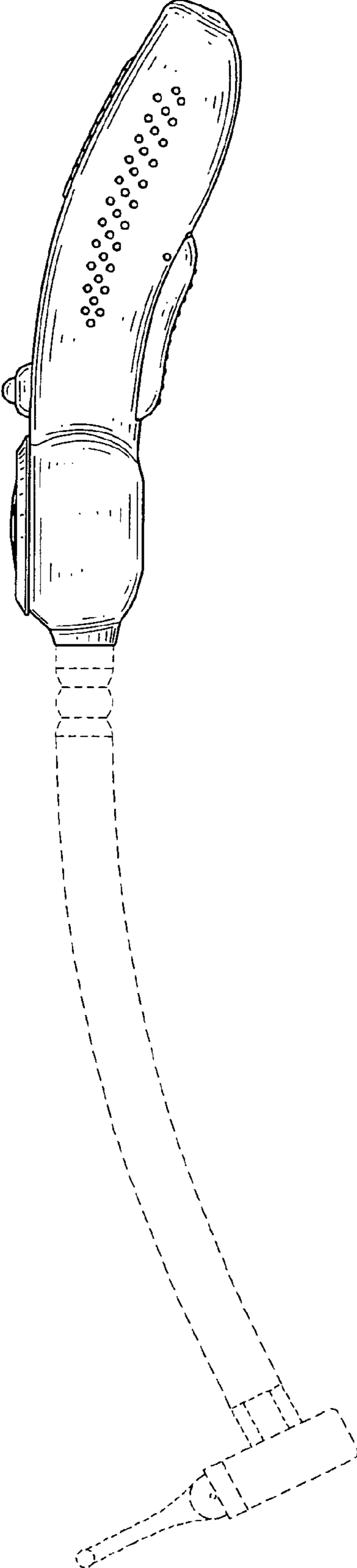


FIG.9

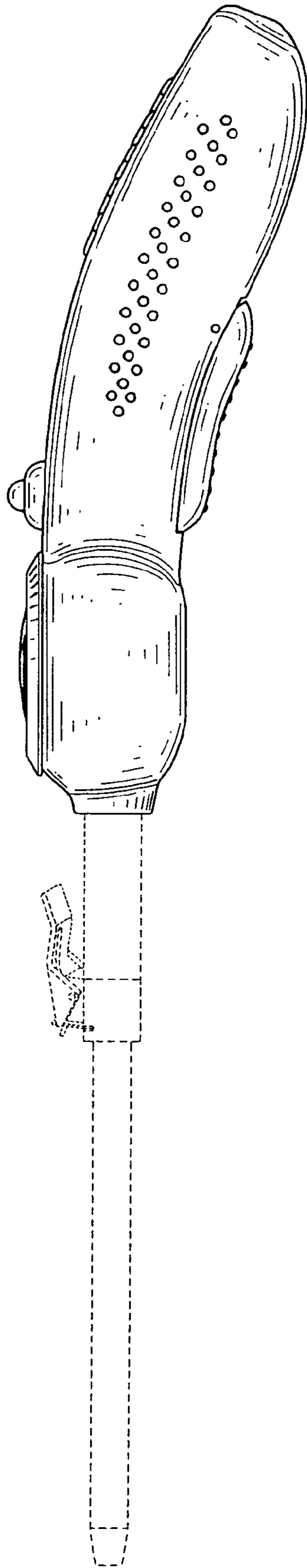


FIG.10

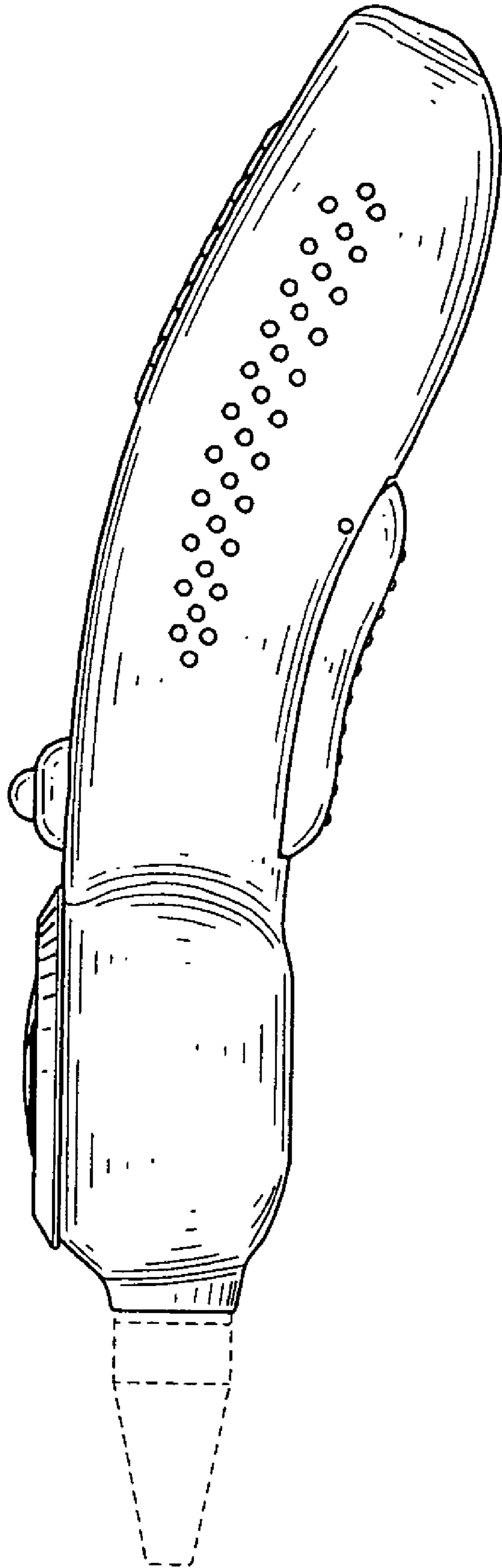


FIG.11