

US00D565697S

(12) **United States Design Patent**
Thiel et al.

(10) **Patent No.:** **US D565,697 S**

(45) **Date of Patent:** **** Apr. 1, 2008**

(54) **NOZZLE**

D520,106 S * 5/2006 Jones et al. D23/213

(75) Inventors: **Richard Thiel**, Woodbridge, NJ (US);
Jason Ligo, Freehold, NJ (US)

* cited by examiner

(73) Assignee: **Danfoss Hago Inc.**, Mountainside, NJ
(US)

Primary Examiner—Robin V Webster

(74) *Attorney, Agent, or Firm*—McCormick, Paulding &
Huber LLP

(**) Term: **14 Years**

(57) **CLAIM**

(21) Appl. No.: **29/272,283**

The ornamental design for a nozzle, as shown and described.

(22) Filed: **Feb. 5, 2007**

DESCRIPTION

(51) **LOC (8) Cl.** **23-01**

(52) **U.S. Cl.** **D23/213**

(58) **Field of Classification Search** D23/213,
D23/223; 239/459, 569

FIG. 1 is a front, top and left-hand side perspective view of
a nozzle comprising a new, original and ornamental design.

FIG. 2 is a rear, bottom and right-hand side perspective view
of a nozzle comprising the new, original and ornamental
design.

See application file for complete search history.

FIG. 3 is a front view of a nozzle comprising the new,
original and ornamental design.

(56) **References Cited**

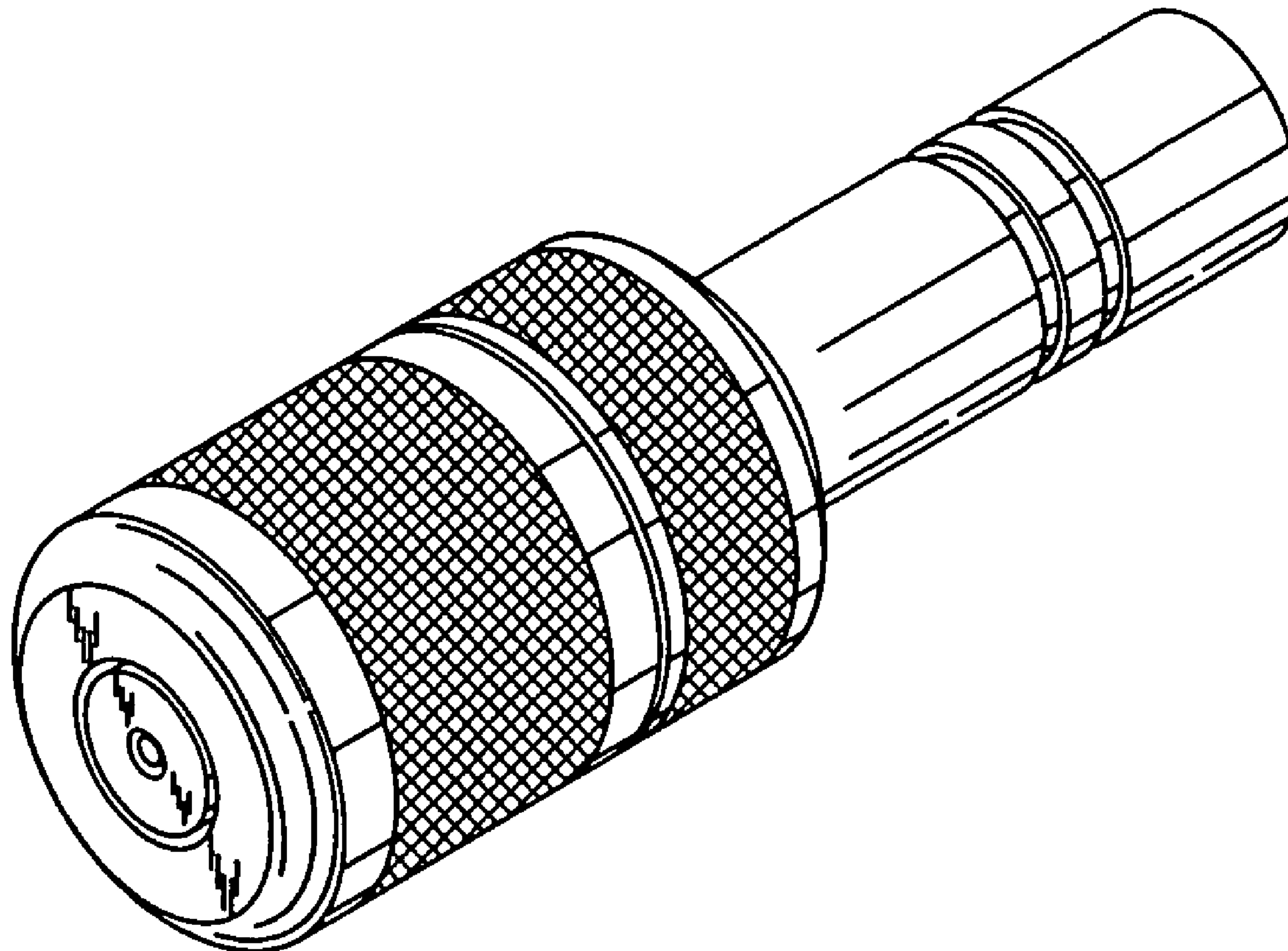
U.S. PATENT DOCUMENTS

2,132,333	A *	10/1938	Sargent et al.	239/394
2,837,323	A *	6/1958	Goodrie	239/579
D186,646	S *	11/1959	Lockett	D23/229
D281,349	S *	11/1985	Goldish	D23/223
D459,434	S *	6/2002	Fauquet	D23/213

FIG. 4 is left-hand side view of a nozzle comprising the new,
original and ornamental design; and,

FIG. 5 is a right-hand side view of a nozzle comprising the
new, original and ornamental design.

1 Claim, 1 Drawing Sheet



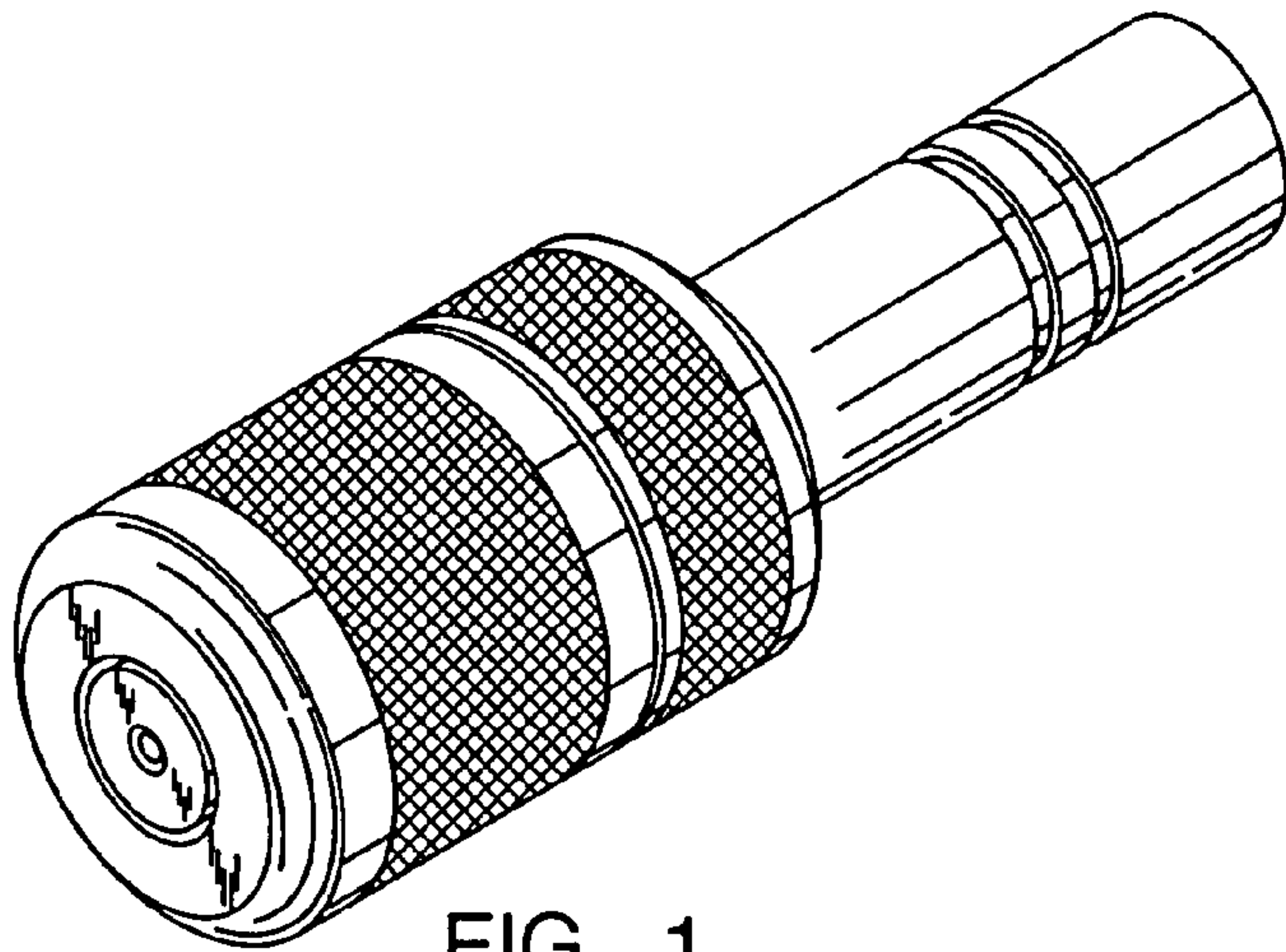


FIG. 1

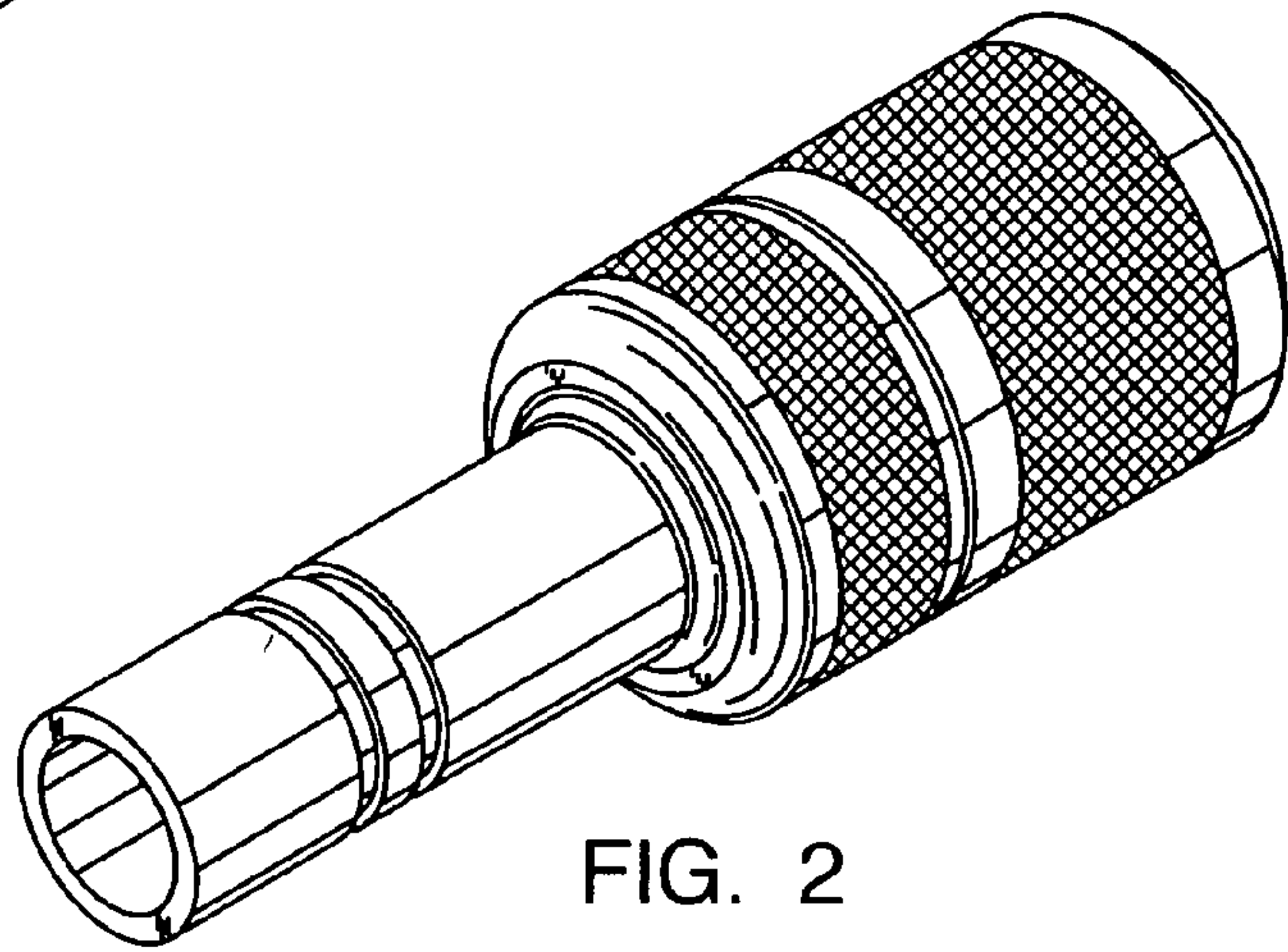


FIG. 2

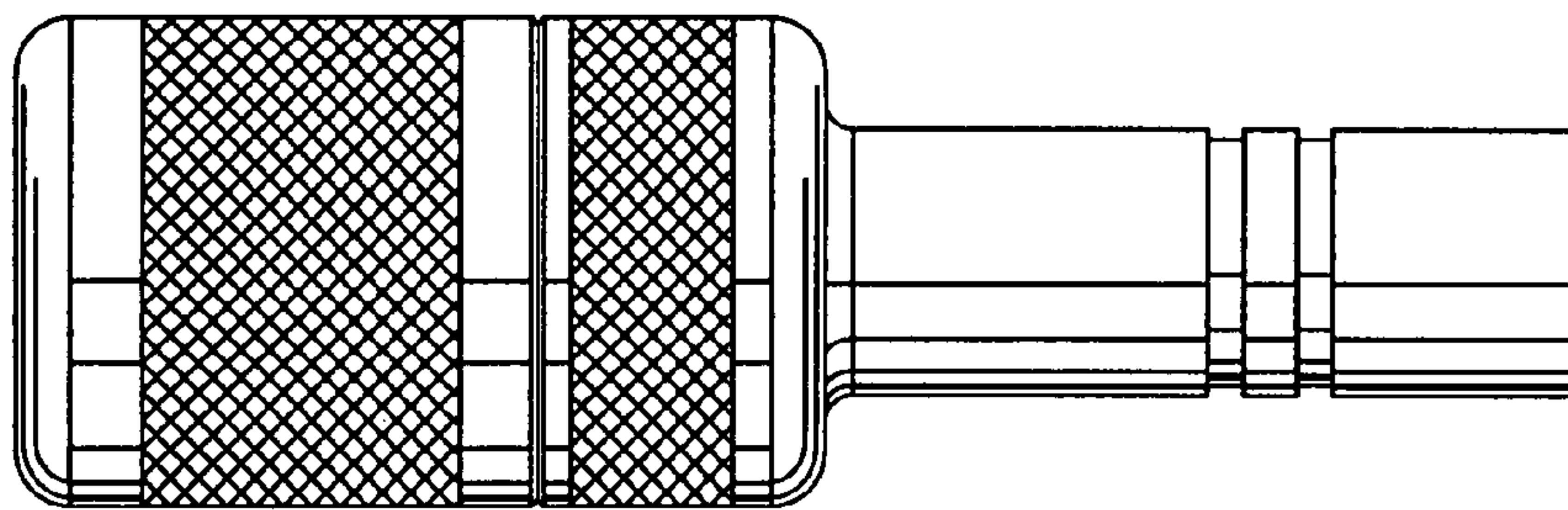


FIG. 3

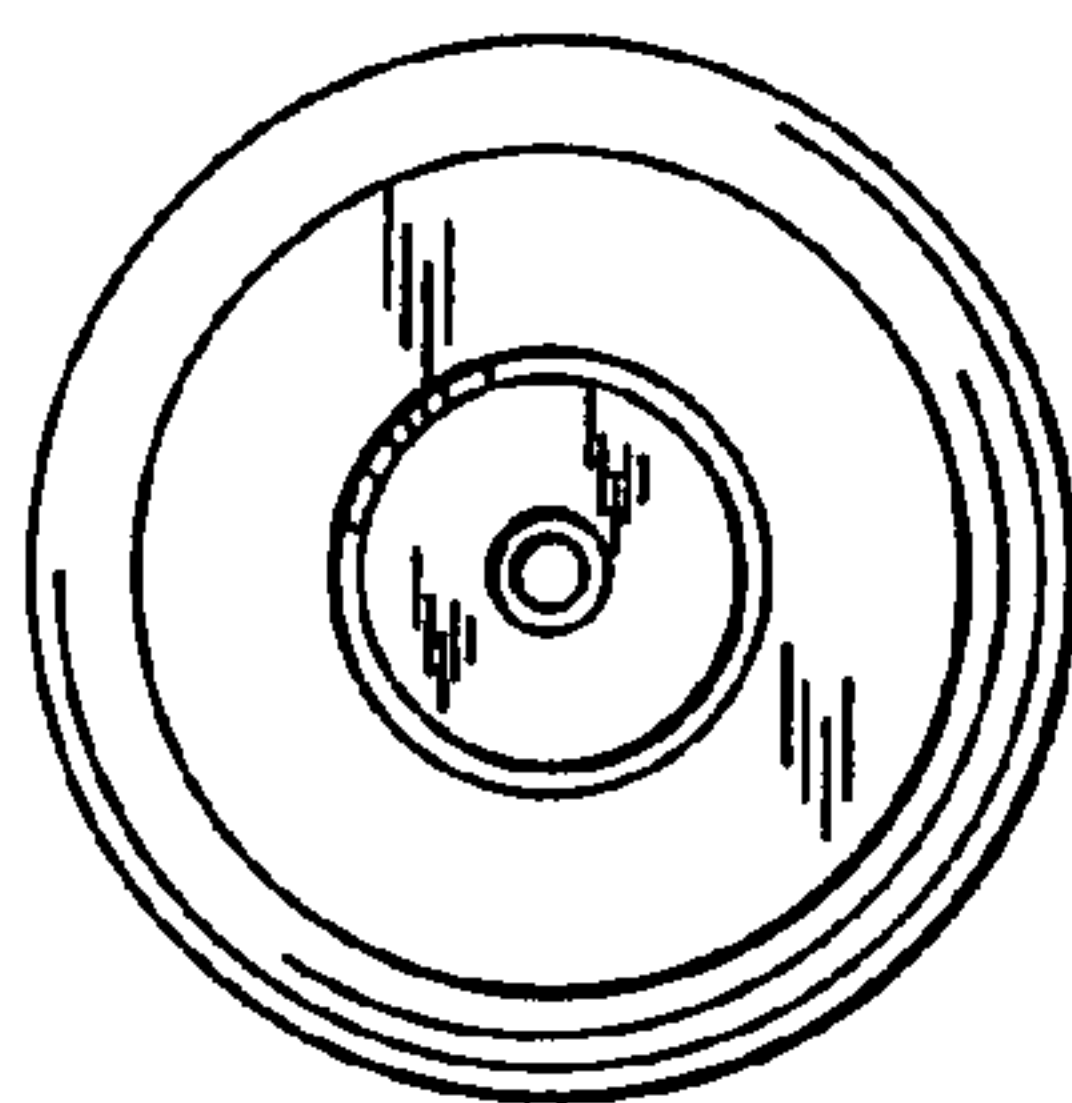


FIG. 4

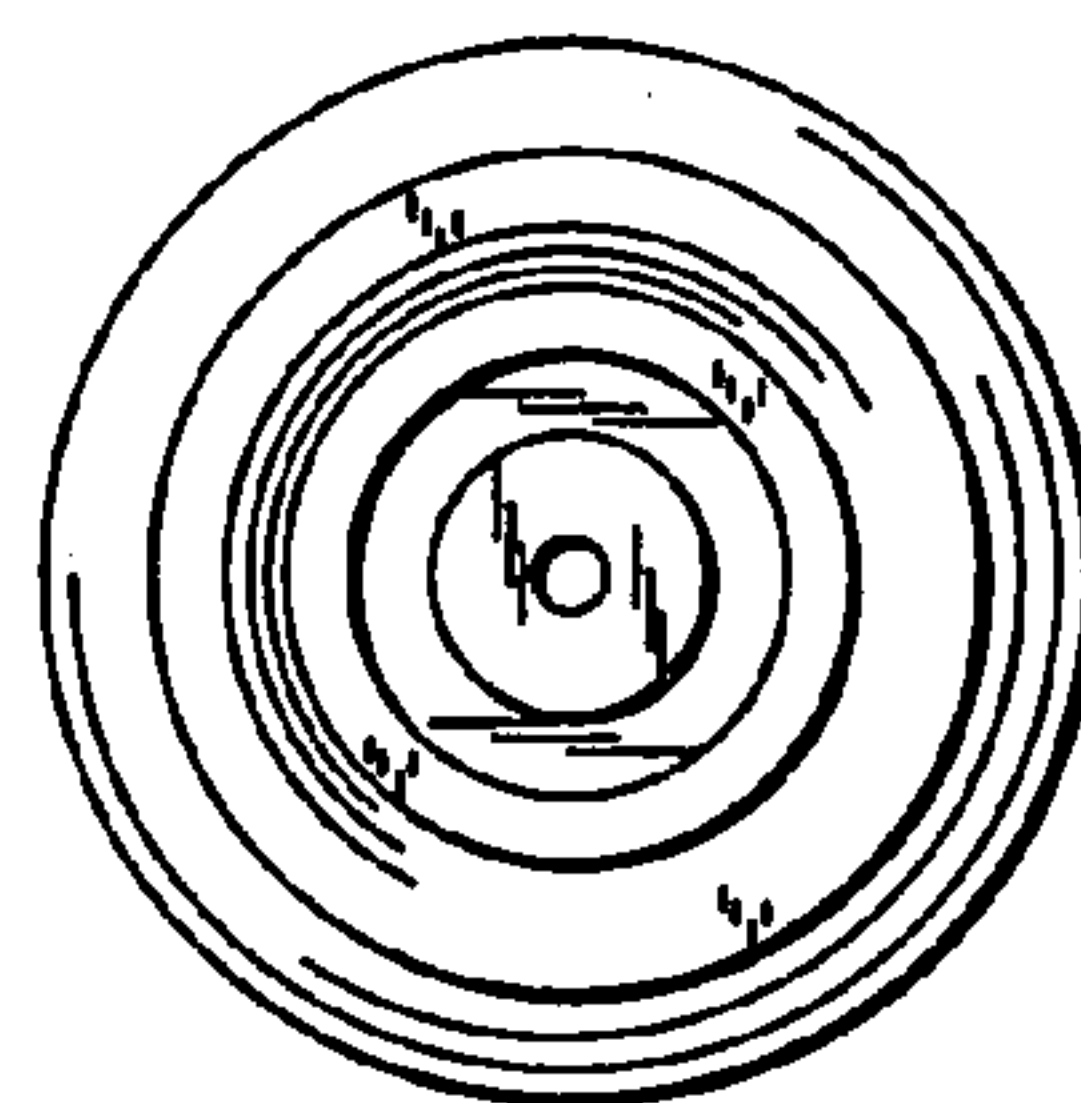


FIG. 5