

US00D565696S

(12) **United States Design Patent**
Mihlbauer et al.

(10) **Patent No.:** **US D565,696 S**
(45) **Date of Patent:** **** Apr. 1, 2008**

(54) **AQUARIUM FILTER CARTRIDGE ELEMENT**

(75) Inventors: **Brad L. Mihlbauer**, Mukwonago, WI (US); **David R. Troop, II**, Kenosha, WI (US); **Lonnie Austin Ready**, West Columbia, SC (US); **Giacomo Guoli**, Milan (IT); **Fabio Bellia**, Trebaseleghe (IT)

(73) Assignee: **Central Garden and Pet Company**, Walnut Creek, CA (US)

5,053,125 A	10/1991	Willinger et al.
D331,448 S *	12/1992	Jaslow D23/210
5,176,824 A	1/1993	Willinger et al.
5,228,986 A	7/1993	Ellis et al.
D353,649 S	12/1994	Willinger et al.
5,397,463 A	3/1995	Woltmann
5,423,978 A	6/1995	Snyder et al.
D365,382 S *	12/1995	Dockery et al. D23/210
5,728,293 A	3/1998	Guoli et al.
D405,501 S *	2/1999	Conger, IV D23/210
D460,996 S	7/2002	Carley et al.
D462,739 S	9/2002	Carley et al.

(Continued)

(**) Term: **14 Years**

(21) Appl. No.: **29/278,645**

(22) Filed: **Apr. 5, 2007**

(30) **Foreign Application Priority Data**

Oct. 5, 2006	(IT)	PD2006A0367
Mar. 8, 2007	(EP)	07103798

(51) **LOC (8) Cl.** **23-01**

(52) **U.S. Cl.** **D23/210**

(58) **Field of Classification Search** D23/209, D23/210; 210/167.27, 167.25, 484, 485
See application file for complete search history.

(56) **References Cited**

U.S. PATENT DOCUMENTS

D183,884 S *	11/1958	Halpert	D23/210
3,643,801 A *	2/1972	Zelenko	210/167.25
D271,416 S *	11/1983	Mayer	D23/209
D273,223 S *	3/1984	Horvath	D23/209
D291,722 S *	9/1987	Willinger	D23/210
D295,441 S *	4/1988	Tominaga	D23/210
4,735,715 A	4/1988	Willinger		
D296,001 S *	5/1988	Ng	D23/210
4,761,227 A	8/1988	Willinger et al.		
4,842,727 A	6/1989	Balian et al.		
4,880,549 A	11/1989	Willinger et al.		
D307,626 S *	5/1990	Willinger	D23/210
4,997,559 A	3/1991	Ellis et al.		

OTHER PUBLICATIONS

Eclipse Aquarium Systems, Owner's Manual, System 3, System Six, System Twelve, Marineland Aquarium Products, Oct. 2000.

Eclipse—The Filtration & Illumination System, Owner's Manual, Eclipse₁, Eclipse₂, Eclipse₃, Marineland Aquarium Products, Mar. 2000.

Primary Examiner—Robin V Webster

(74) *Attorney, Agent, or Firm*—Andrus, Scales, Starke & Sawall, LLP

(57) **CLAIM**

The ornamental design for an aquarium filter cartridge element, as shown and described.

DESCRIPTION

FIG. 1 is an isometric view of an aquarium filter cartridge element incorporating our new design;

FIG. 2 is a front elevation view thereof;

FIG. 3 is a right side elevation view thereof;

FIG. 4 is a left side elevation view thereof;

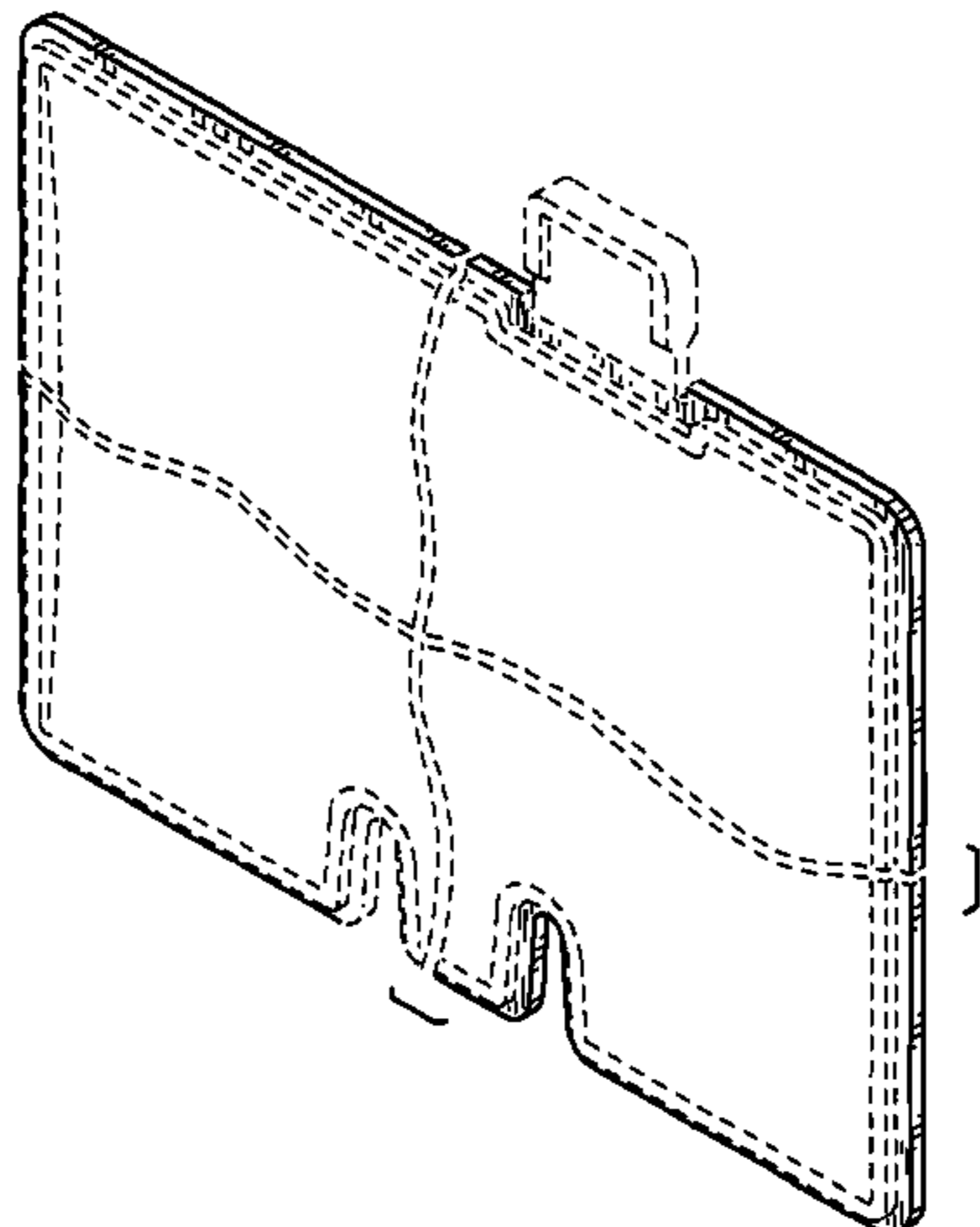
FIG. 5 is a top plan view thereof;

FIG. 6 is a bottom plan view thereof; and,

FIG. 7 is a rear elevation view thereof.

The broken lines are for illustration only, and form no part of the claimed design.

1 Claim, 3 Drawing Sheets



US D565,696 S

Page 2

U.S. PATENT DOCUMENTS

D468,393 S	1/2003	Agresta et al.	7,060,181 B2 *	6/2006	Fox et al.	210/167.22
6,692,637 B2	2/2004	Fox et al.	2004/0238426 A9	12/2004	Fox et al.		
6,706,176 B1	3/2004	Goldman	2005/0284397 A1	12/2005	Carley et al.		
D494,251 S	8/2004	Fox, Jr. et al.	2006/0000755 A1	1/2006	Carley et al.		
6,797,163 B2	9/2004	Carley et al.					

* cited by examiner

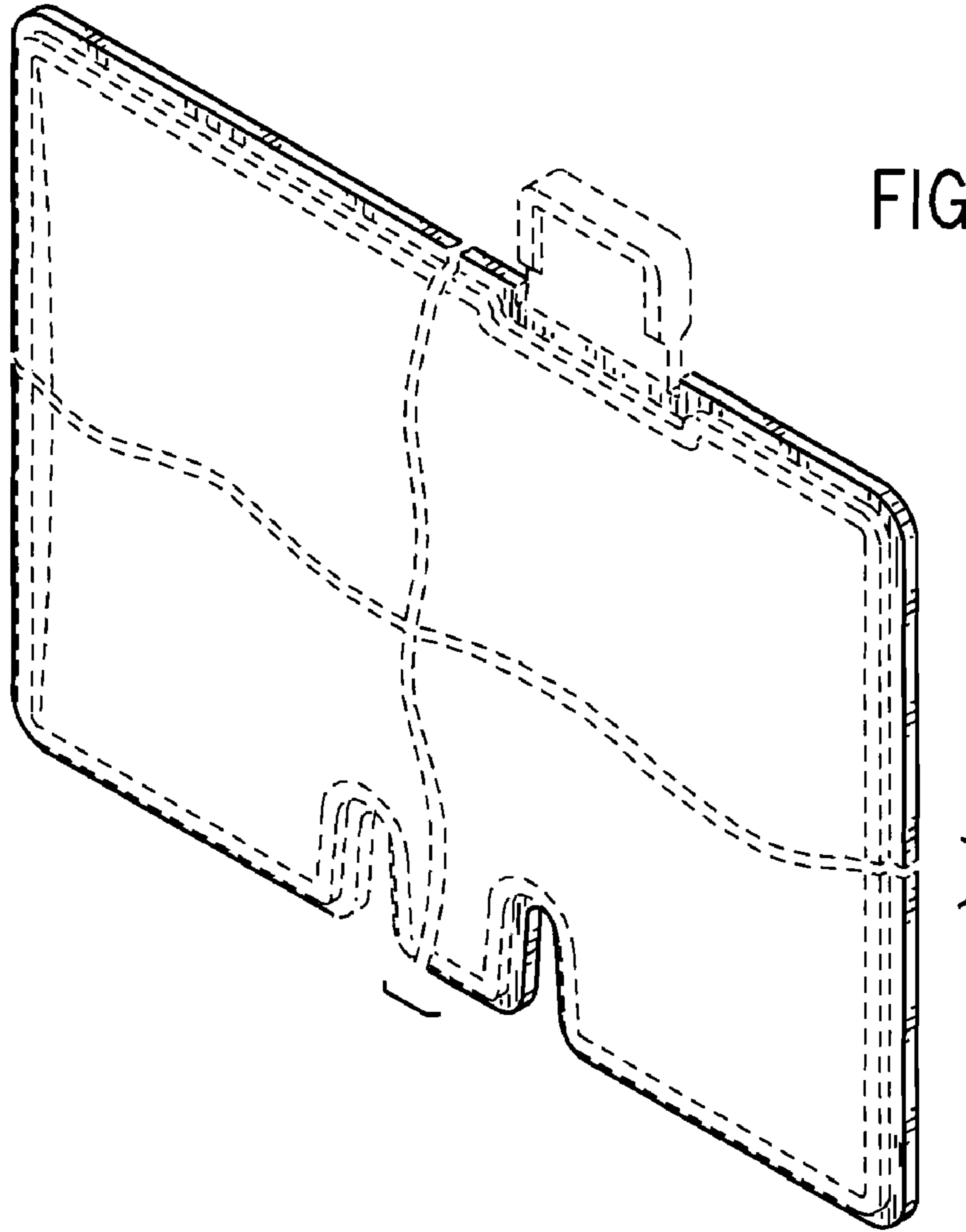


FIG. 1

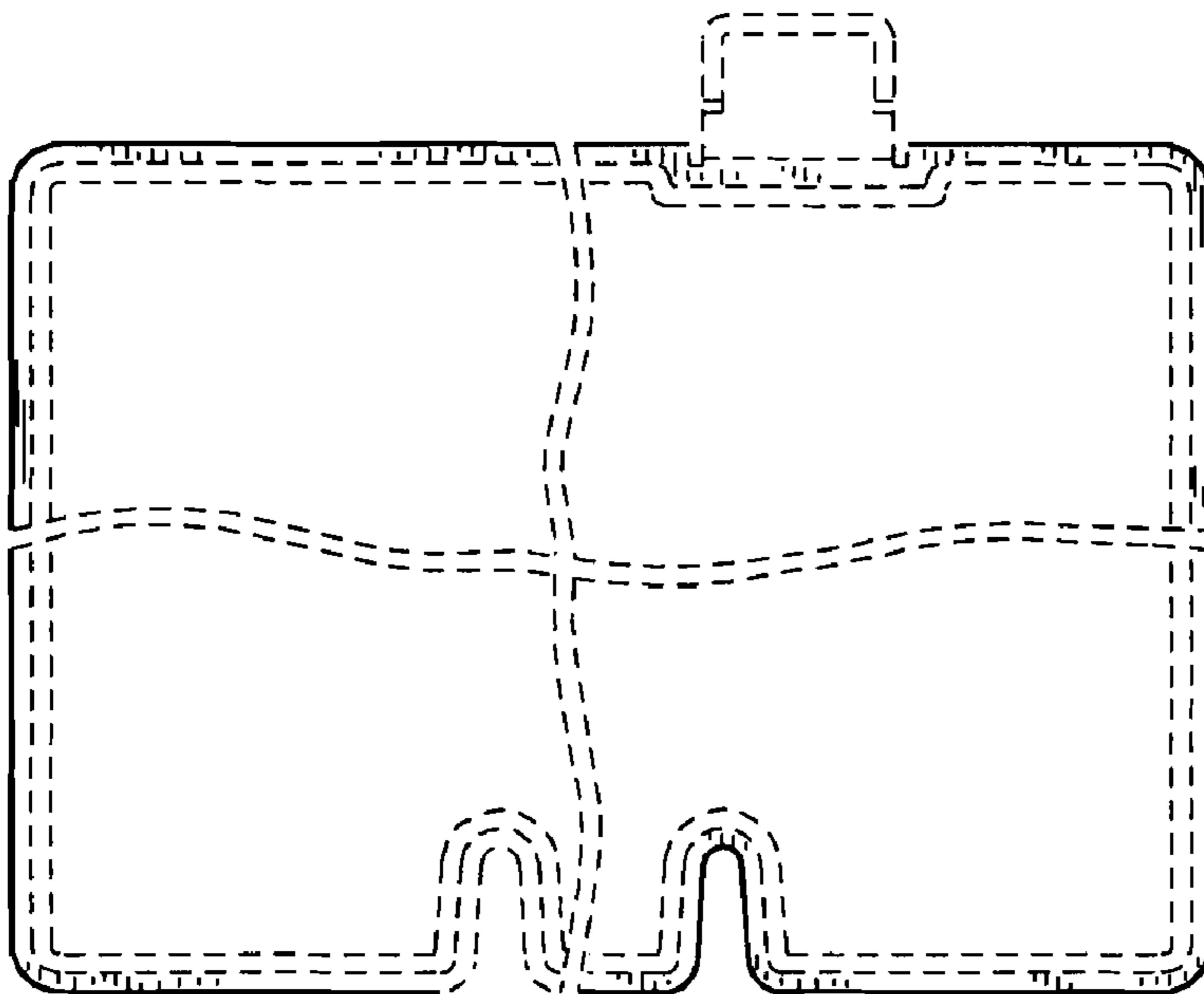


FIG. 2

FIG. 3



FIG. 4

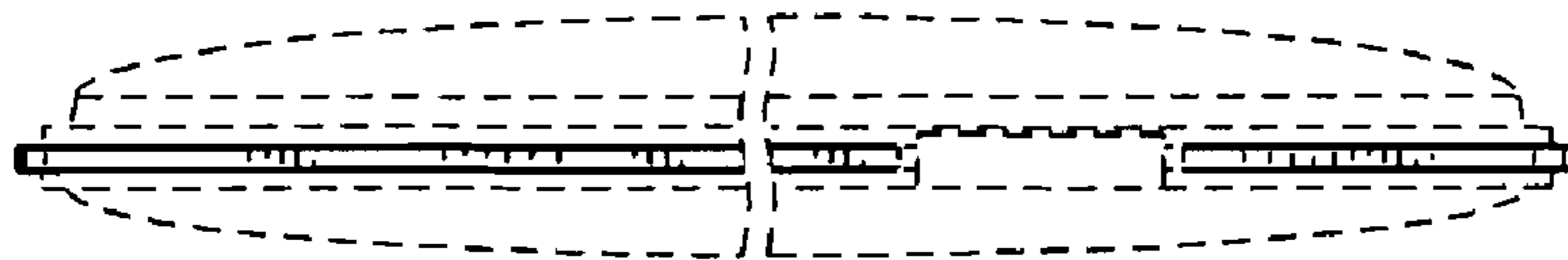


FIG. 5

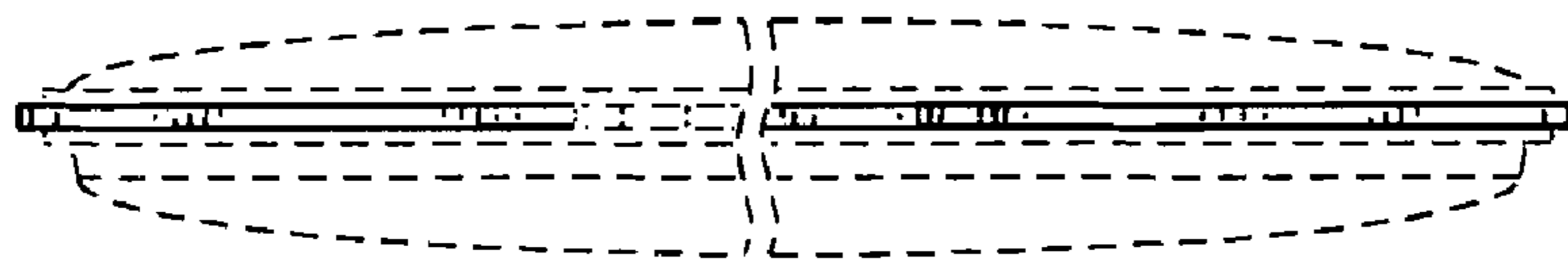


FIG. 6

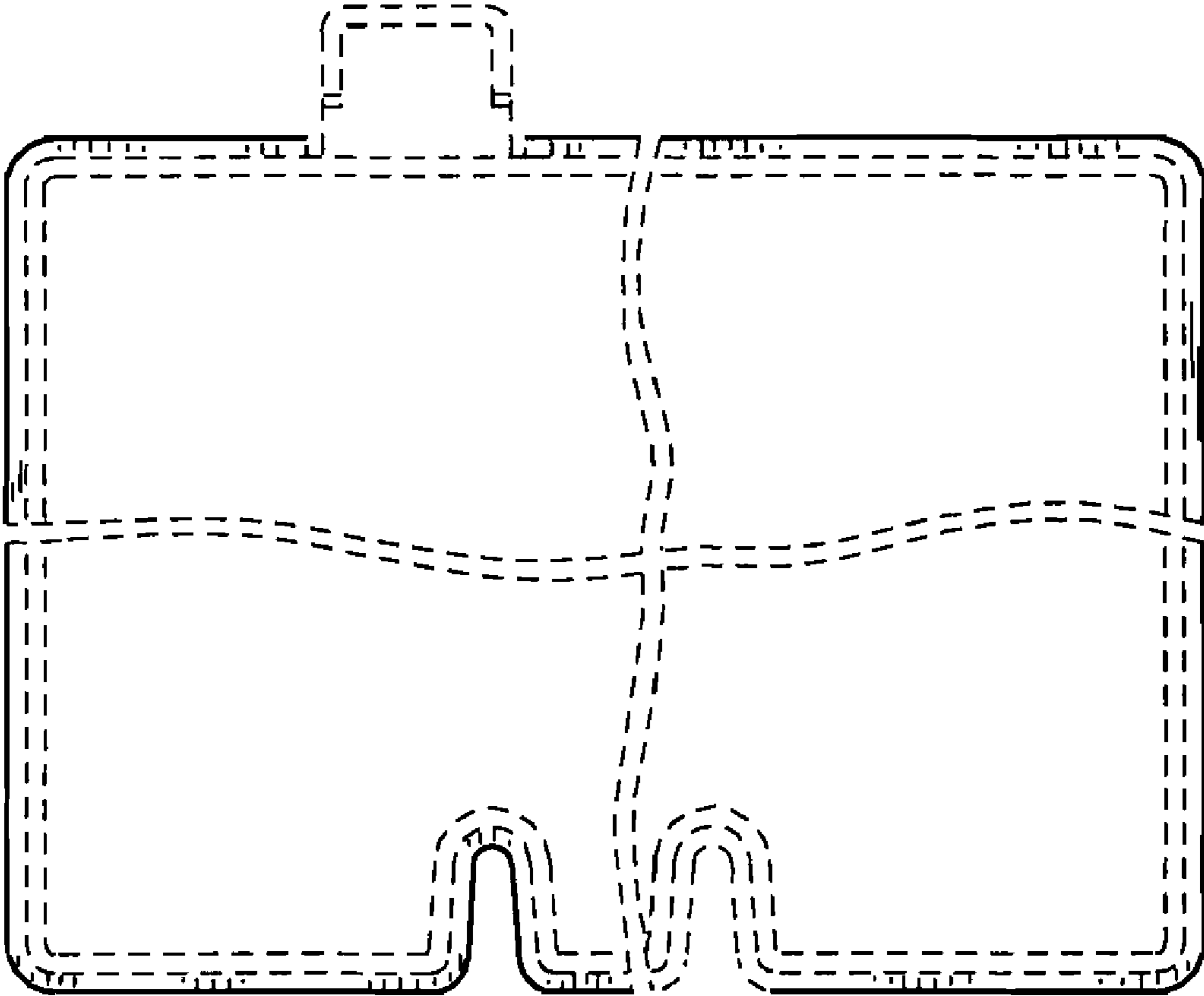


FIG. 7