



US00D565694S

(12) **United States Design Patent**
Slawomir

(10) **Patent No.:** **US D565,694 S**

(45) **Date of Patent:** **** Apr. 1, 2008**

(54) **WATER FILTER CARTRIDGE WITH FOUR TOP PERFORATIONS IN STEPPED HANDLE TOP**

D529,127 S * 9/2006 Cueman D23/209

* cited by examiner

Primary Examiner—Robin V Webster

(74) *Attorney, Agent, or Firm*—Horst M. Kasper

(76) Inventor: **Bursztein Slawomir**, UL. Rzeszowska 11, 25-140 Kielce (PL)

(**) Term: **14 Years**

(57) **CLAIM**

(21) Appl. No.: **29/269,523**

The ornamental design for a water filter cartridge with four top perforations in stepped handle top, as shown and described.

(22) Filed: **Nov. 30, 2006**

DESCRIPTION

(51) **LOC (8) Cl.** **23-01**

FIG. 1 is a bottom plan view of a water filter cartridge with four top perforations in stepped handle top showing my new design;

(52) **U.S. Cl.** **D23/209**

(58) **Field of Classification Search** D23/207, D23/209; 210/282, 472, 266

See application file for complete search history.

FIG. 2 is a perspective view thereof;

FIG. 3 is a front elevational view thereof;

(56) **References Cited**

U.S. PATENT DOCUMENTS

D312,863 S *	12/1990	Hankammer	D23/209
D380,535 S *	7/1997	Joergensen	D23/365
5,811,004 A *	9/1998	Robertson et al.	210/482
5,989,424 A	11/1999	Serenko et al.		
D435,084 S *	12/2000	Northern et al.	D23/209
6,238,552 B1 *	5/2001	Shannon	210/94
D450,531 S	11/2001	McGrath et al.		
D459,941 S	7/2002	Miller		

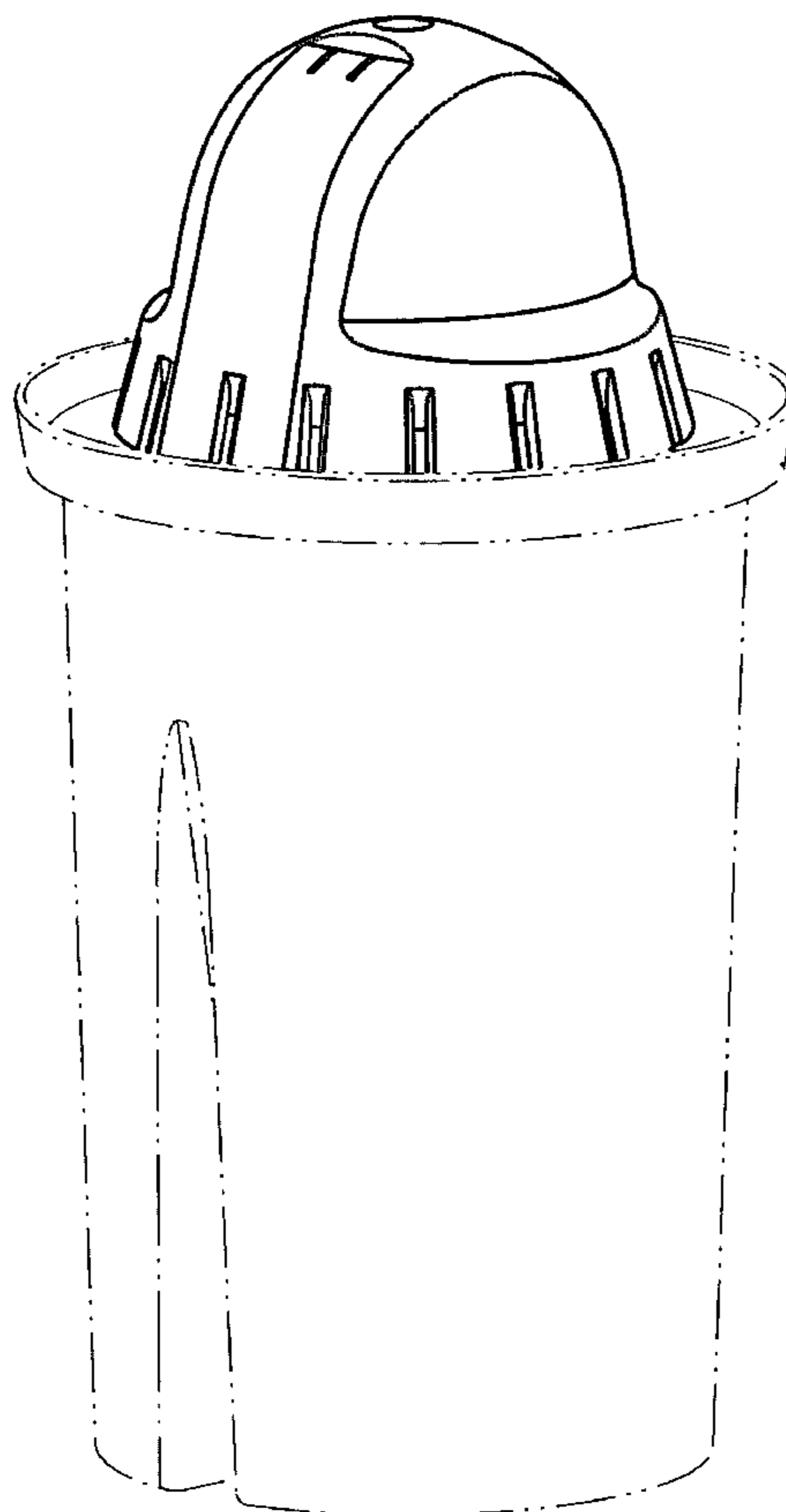
FIG. 4 is a right side elevational view thereof; the left side elevational view is the same as the right side elevational view.

FIG. 5 is a rear elevational view thereof; and,

FIG. 6 is a top plan view thereof.

The broken line showing is included for the purpose of illustrating and forms no part of the claimed design.

1 Claim, 6 Drawing Sheets



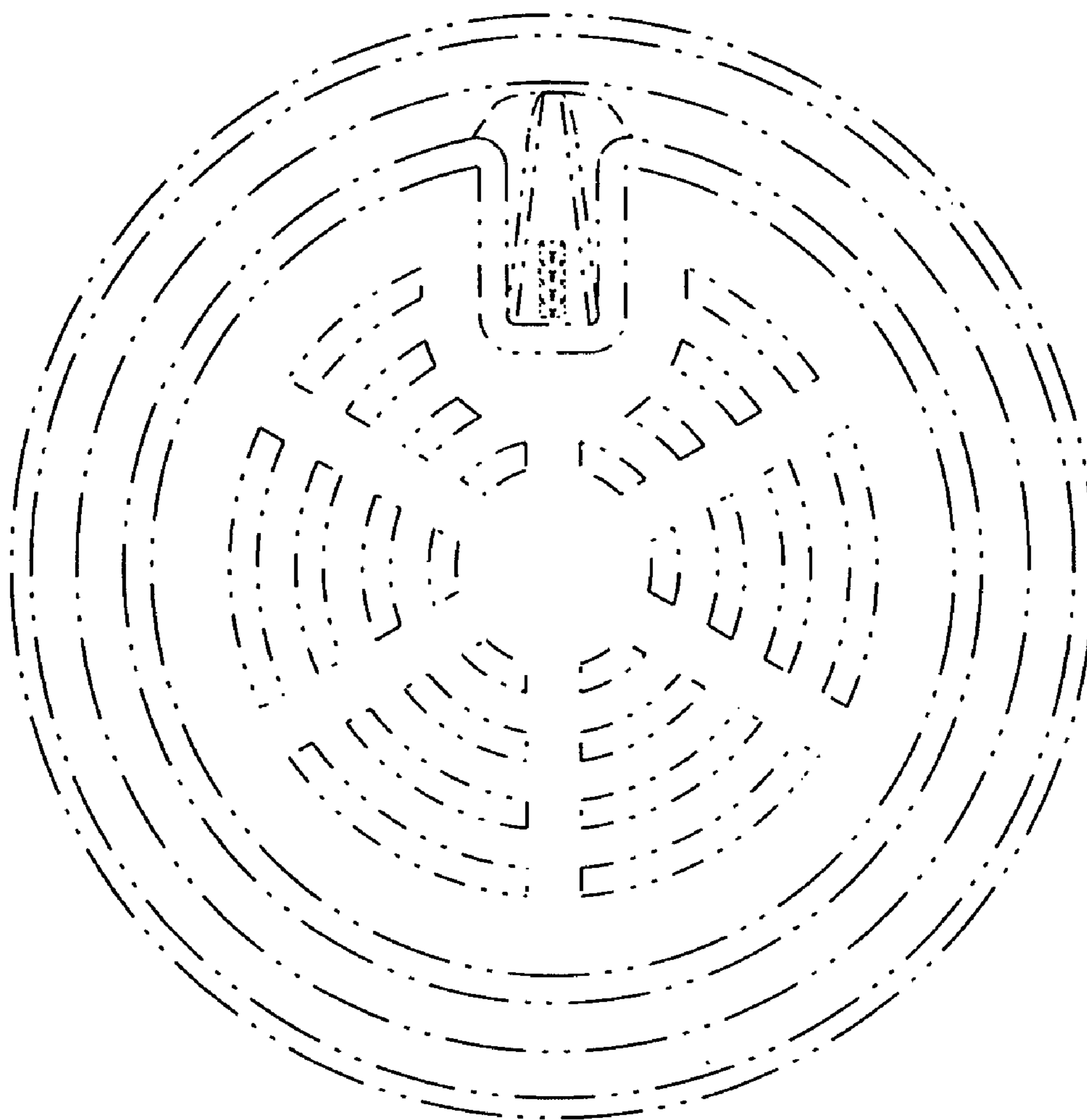


Fig. 1

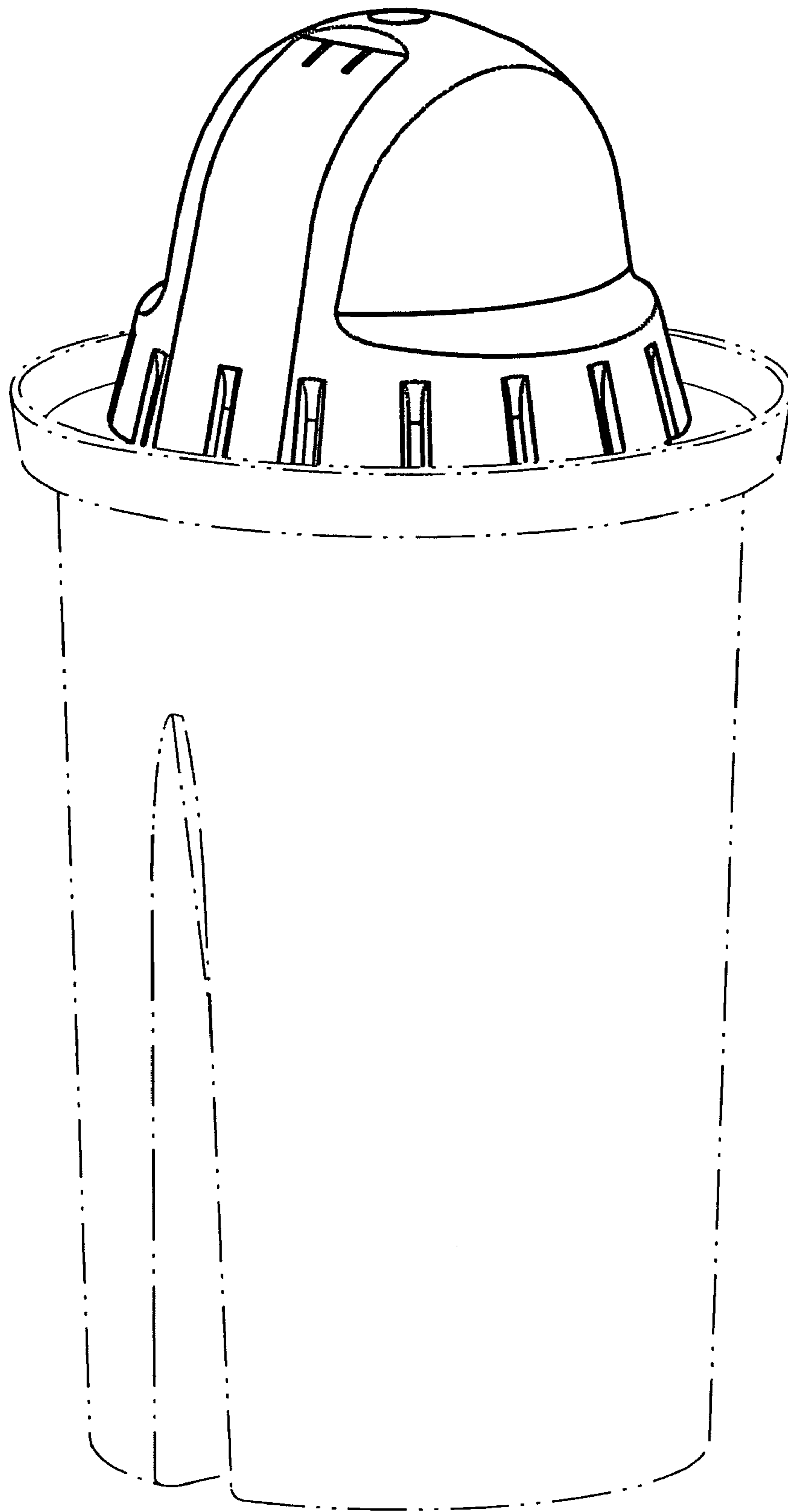


Fig. 2

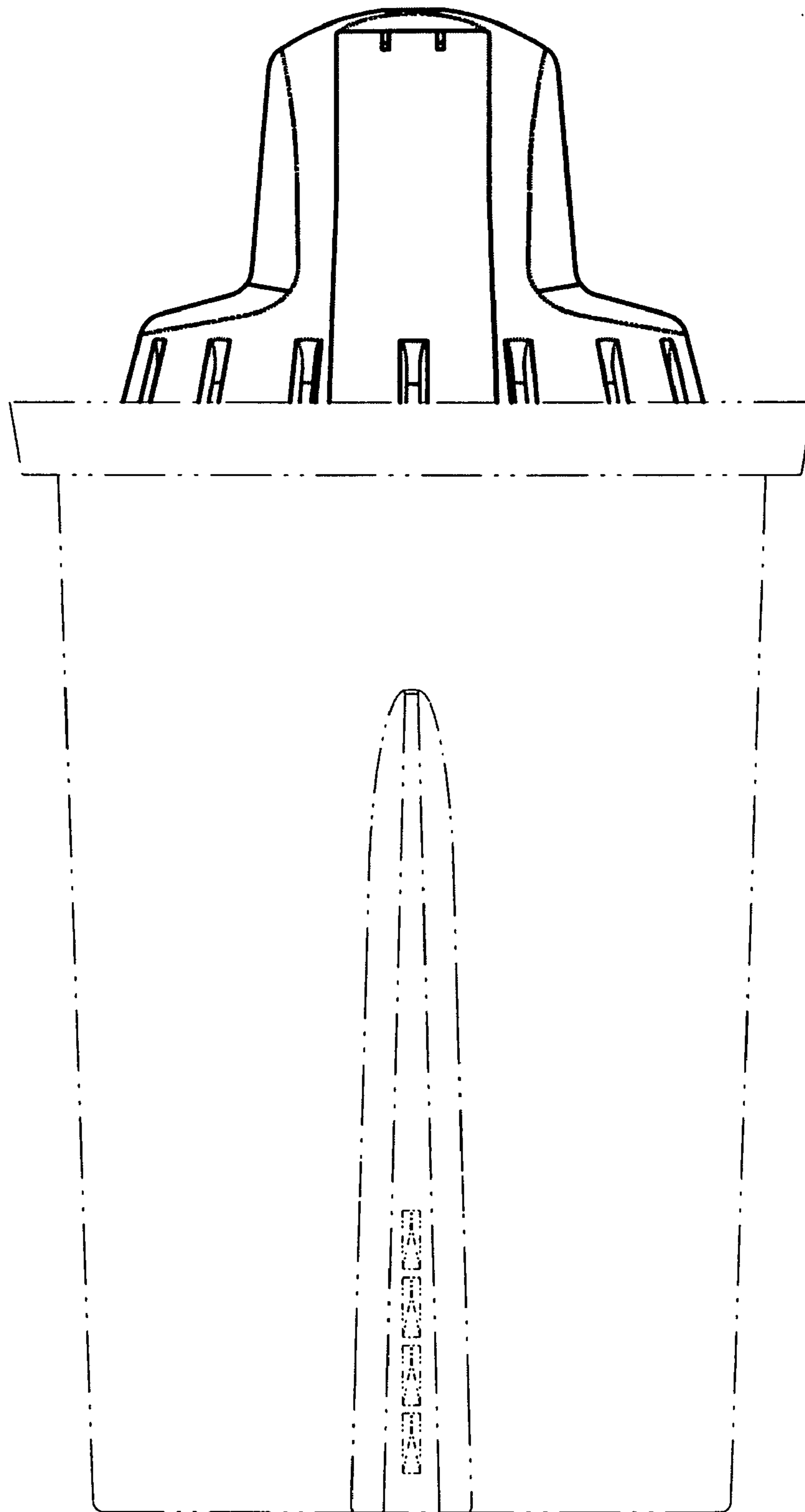


Fig. 3

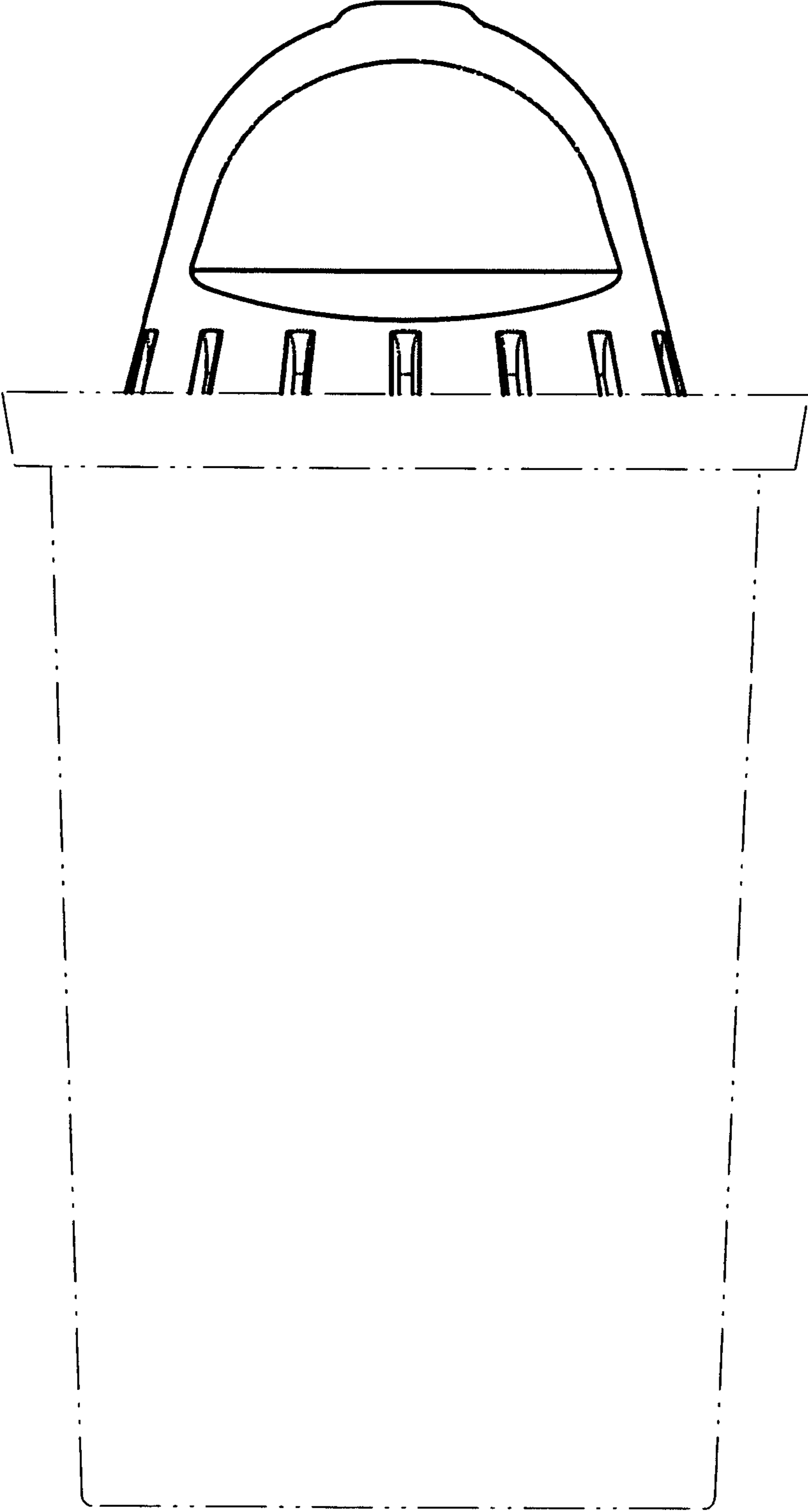


Fig. 4

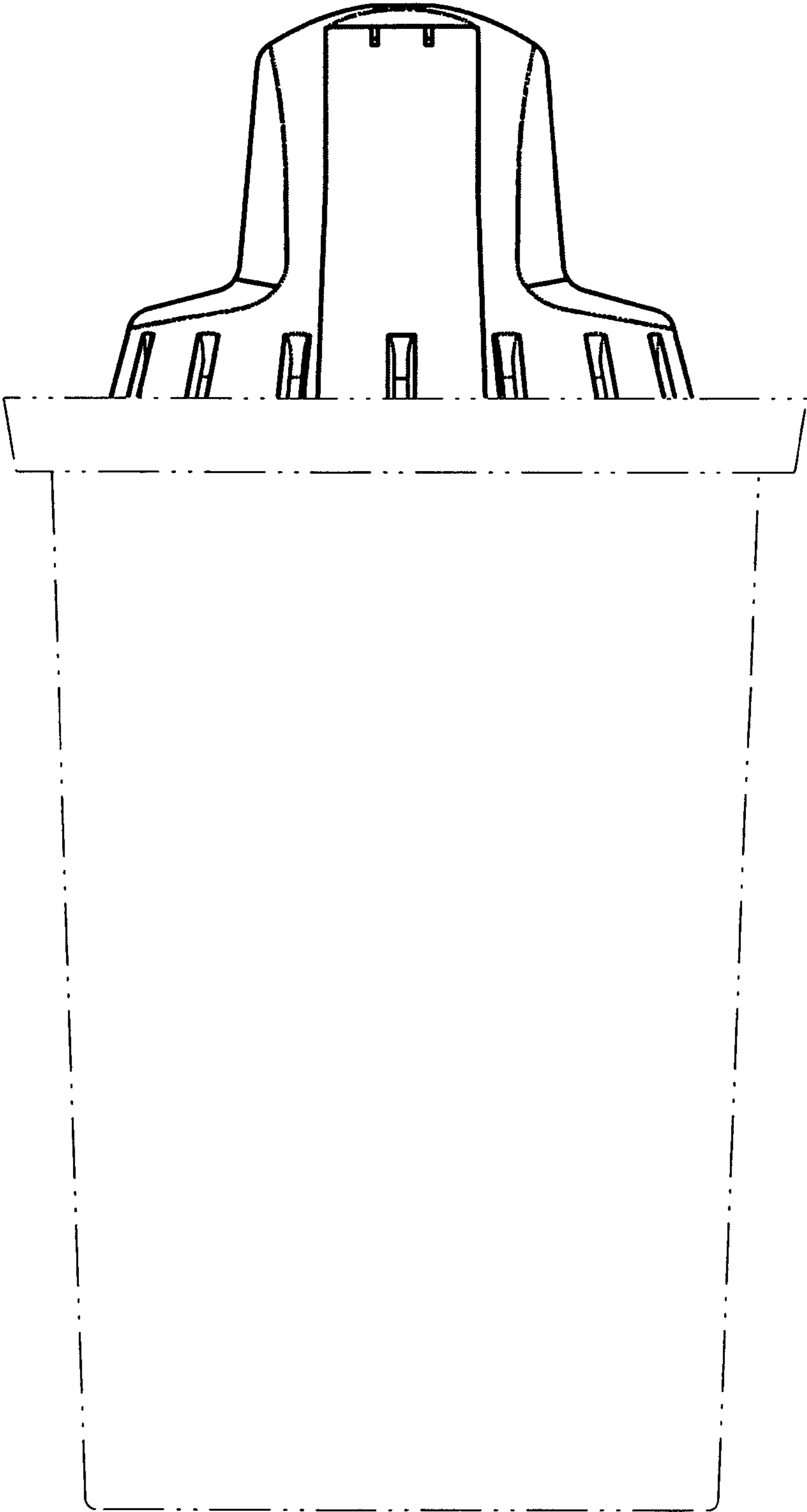


Fig. 5

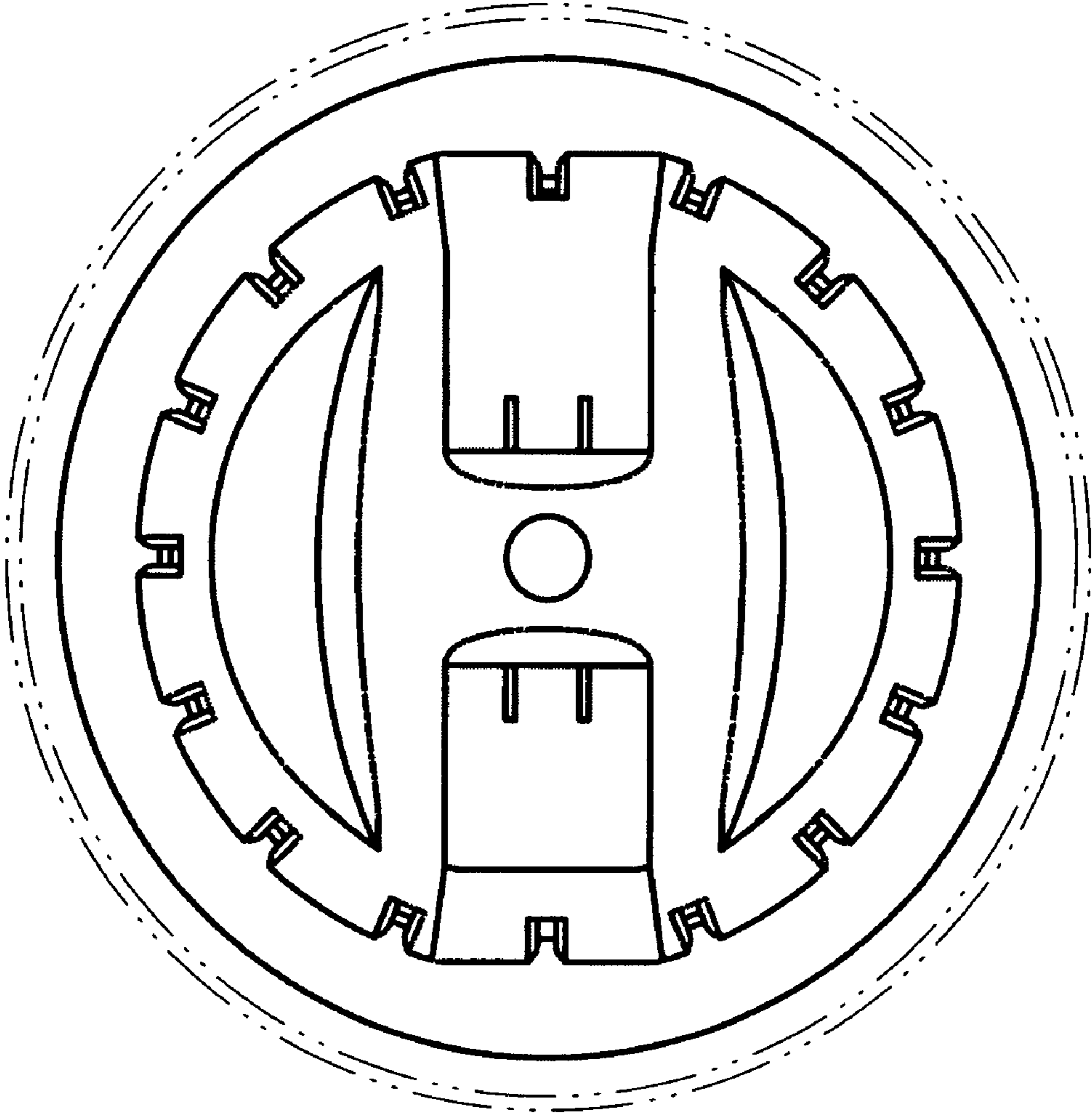


Fig. 6