



US00D565692S

(12) **United States Design Patent**
Berducat et al.

(10) **Patent No.:** **US D565,692 S**
(45) **Date of Patent:** **** Apr. 1, 2008**

(54) **ULTRAPURE WATER QUALITY—POINT OF DELIVERY UNIT**

Primary Examiner—Robin V Webster
(74) *Attorney, Agent, or Firm*—Niels & Lemack

(75) Inventors: **Christian Berducat**, Saint Mande (FR);
Yves Gaignet, Montigny le Bretonneux (FR);
Pascal Delahaie, La Celle Saint Cloud (FR);
Francois Quirin, Meudon (FR)

(57) **CLAIM**

The ornamental design for an ultrapure water quality point of delivery unit, as shown.

(73) Assignee: **Millipore Corporation**, Billerica, MA (US)

DESCRIPTION

The unit delivering ultrapure water at the point of use, which includes a support and a dispenser, is a remote, stand-alone dispenser for use with a water purification system.

(**) Term: **14 Years**

FIG. 1 is a first perspective view of the ultrapure water quality point of delivery unit;

(21) Appl. No.: **29/273,646**

FIG. 2 is a second perspective view of, the ultrapure water quality point of delivery unit;

(22) Filed: **Mar. 9, 2007**

(51) **LOC (8) Cl.** **23-01**

FIG. 3 is a front view of the ultrapure water quality point of delivery unit;

(52) **U.S. Cl.** **D23/207**

FIG. 4 is a rear view of the ultrapure water quality point of delivery unit;

(58) **Field of Classification Search** D23/207,
D23/209; 210/418, 416.3, 249, 449

See application file for complete search history.

FIG. 5 is a first side view of the ultrapure water quality point of delivery unit;

(56) **References Cited**

U.S. PATENT DOCUMENTS

814,261	A *	3/1906	Barrie	210/249
2,332,982	A *	10/1943	Blair	210/411
3,439,809	A *	4/1969	McPherran	210/249
5,487,833	A *	1/1996	Fife et al.	210/232
7,135,106	B2 *	11/2006	Marquis et al.	210/97

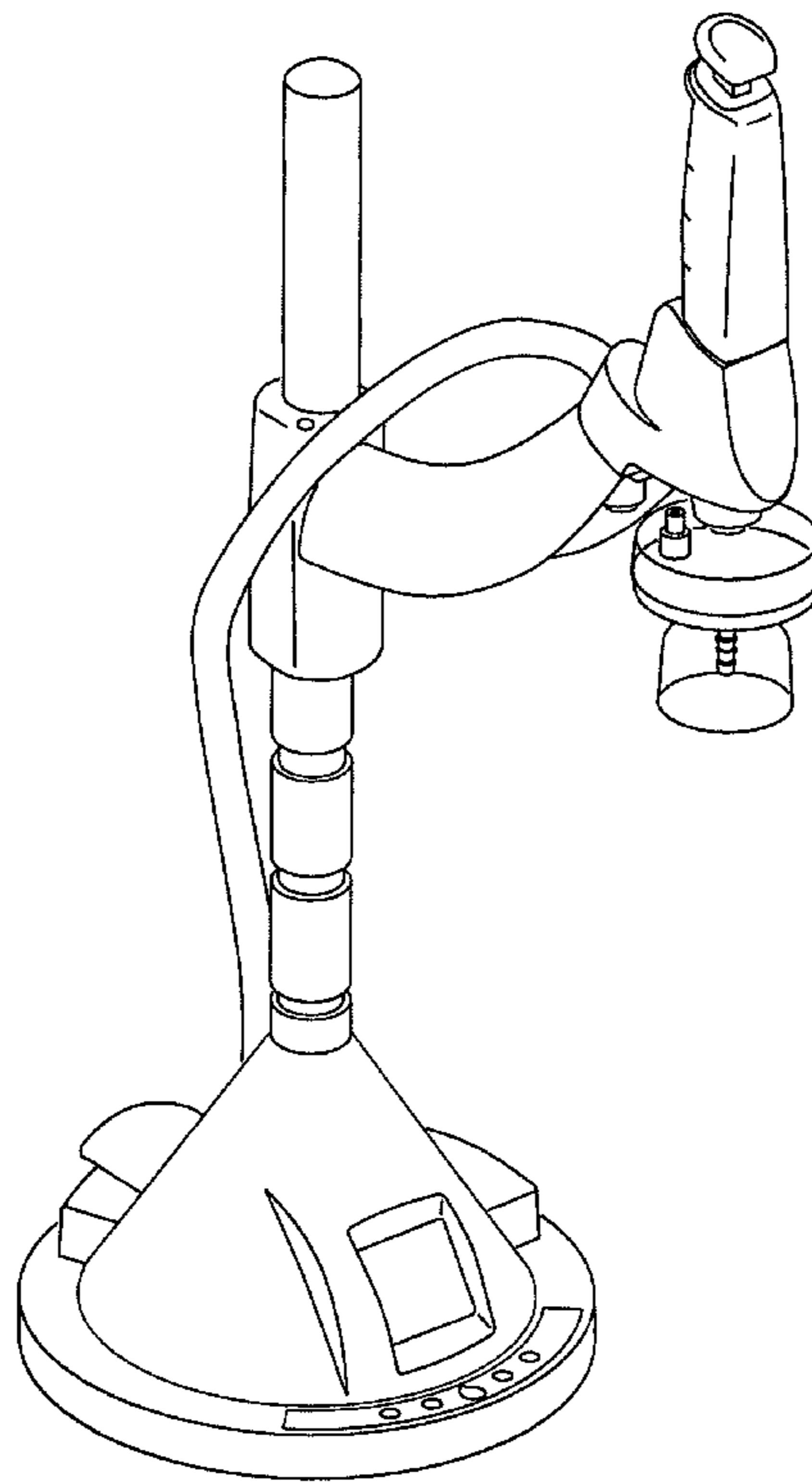
FIG. 6 is a second side view of the ultrapure water quality point of delivery unit;

FIG. 7 is a top view of the ultrapure water quality point of delivery unit; and,

FIG. 8 is a bottom view of the ultrapure water quality point of delivery unit.

* cited by examiner

1 Claim, 8 Drawing Sheets



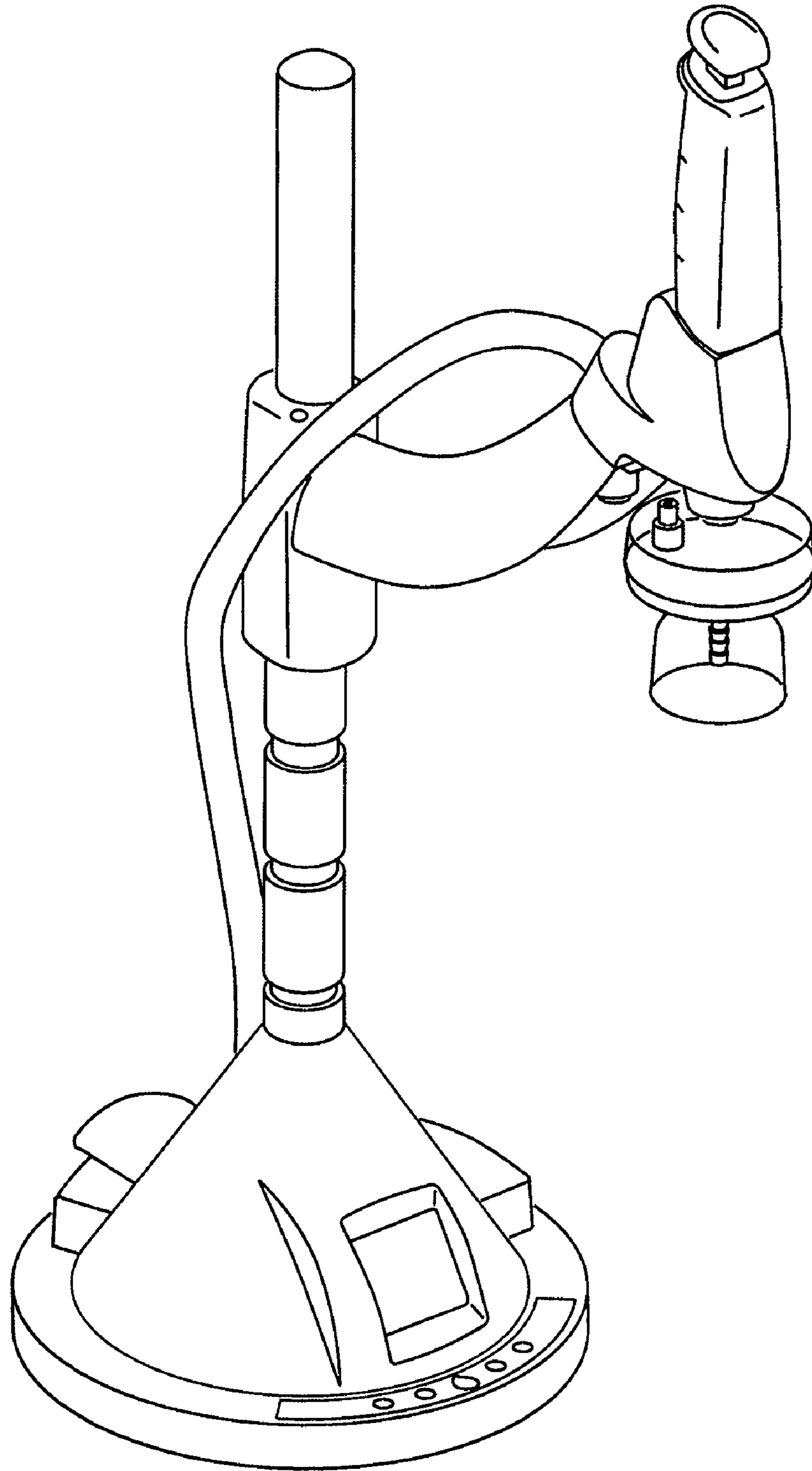


Figure 1

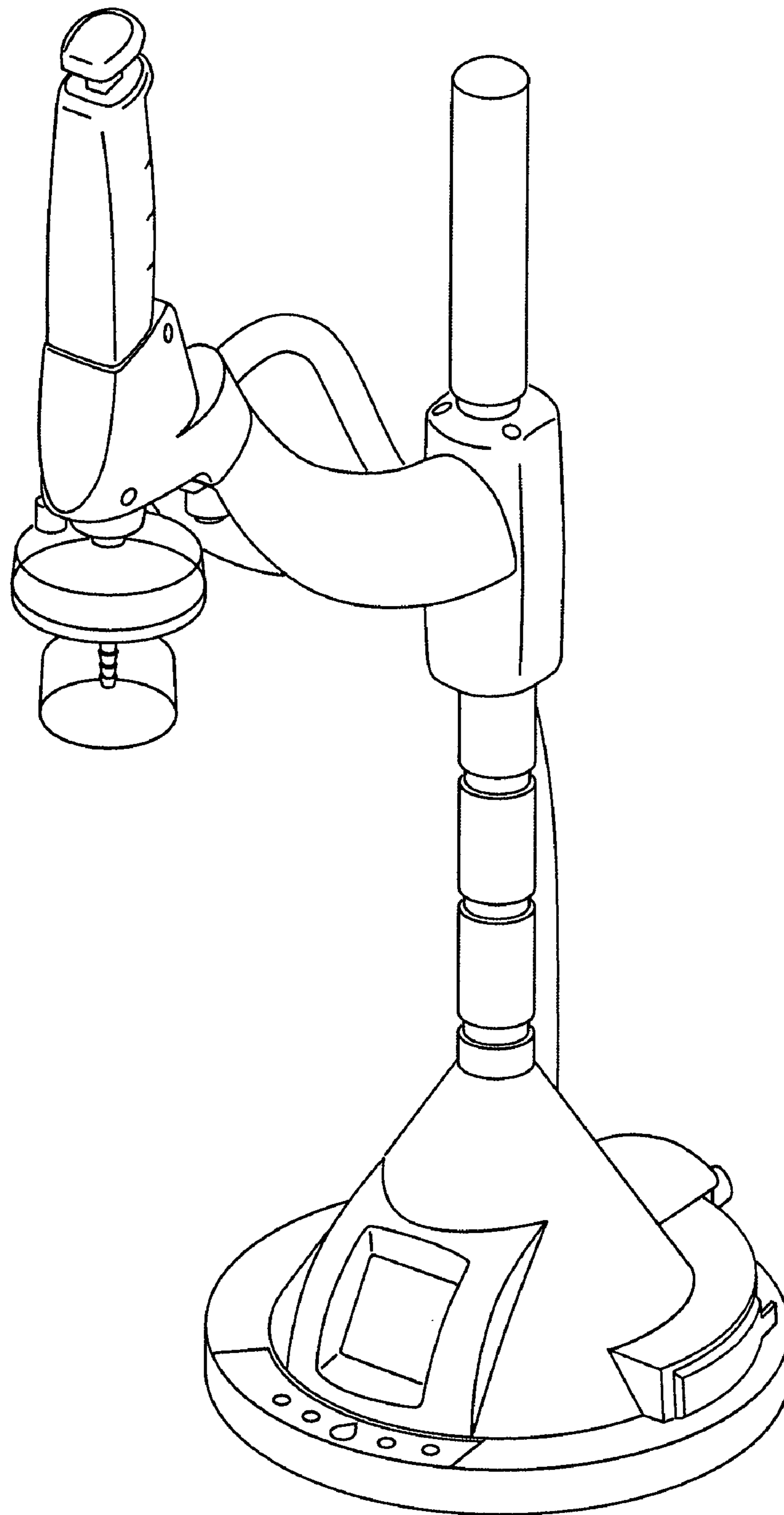


Figure 2

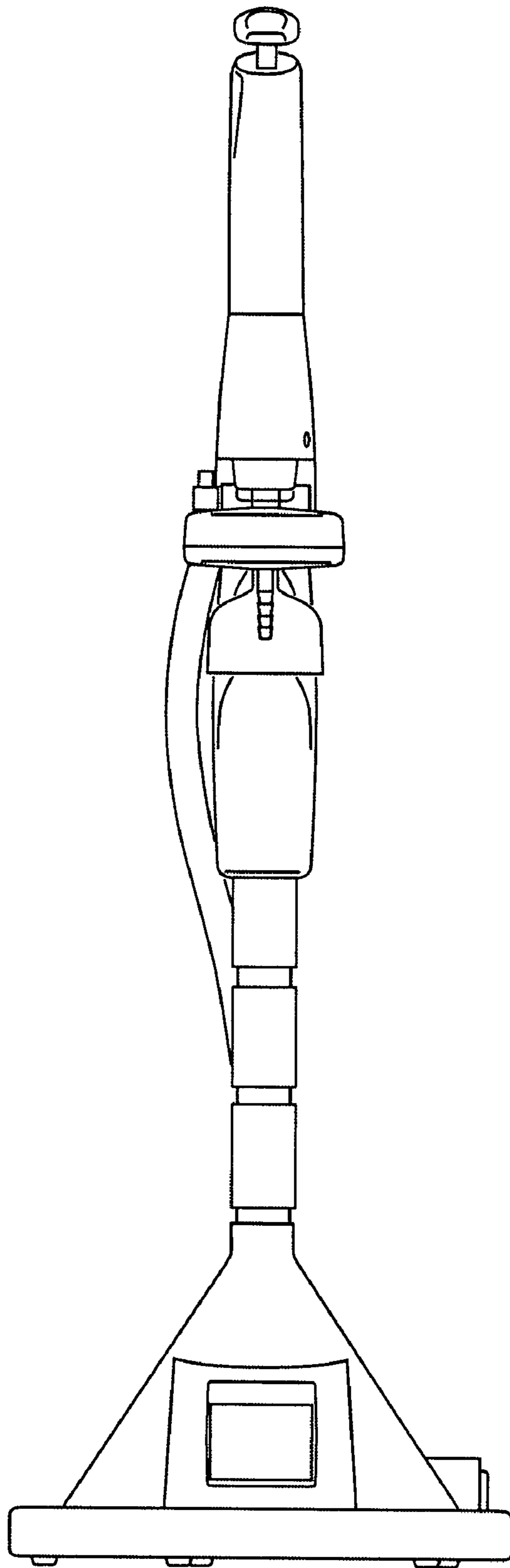


Figure 3

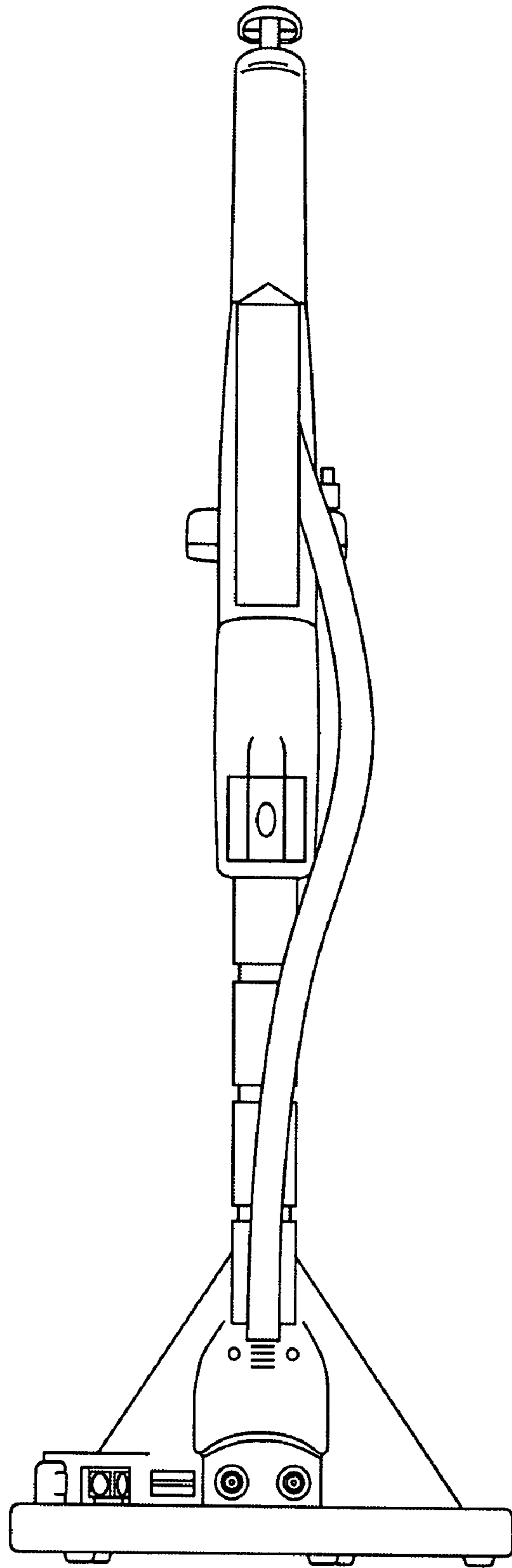


Figure 4

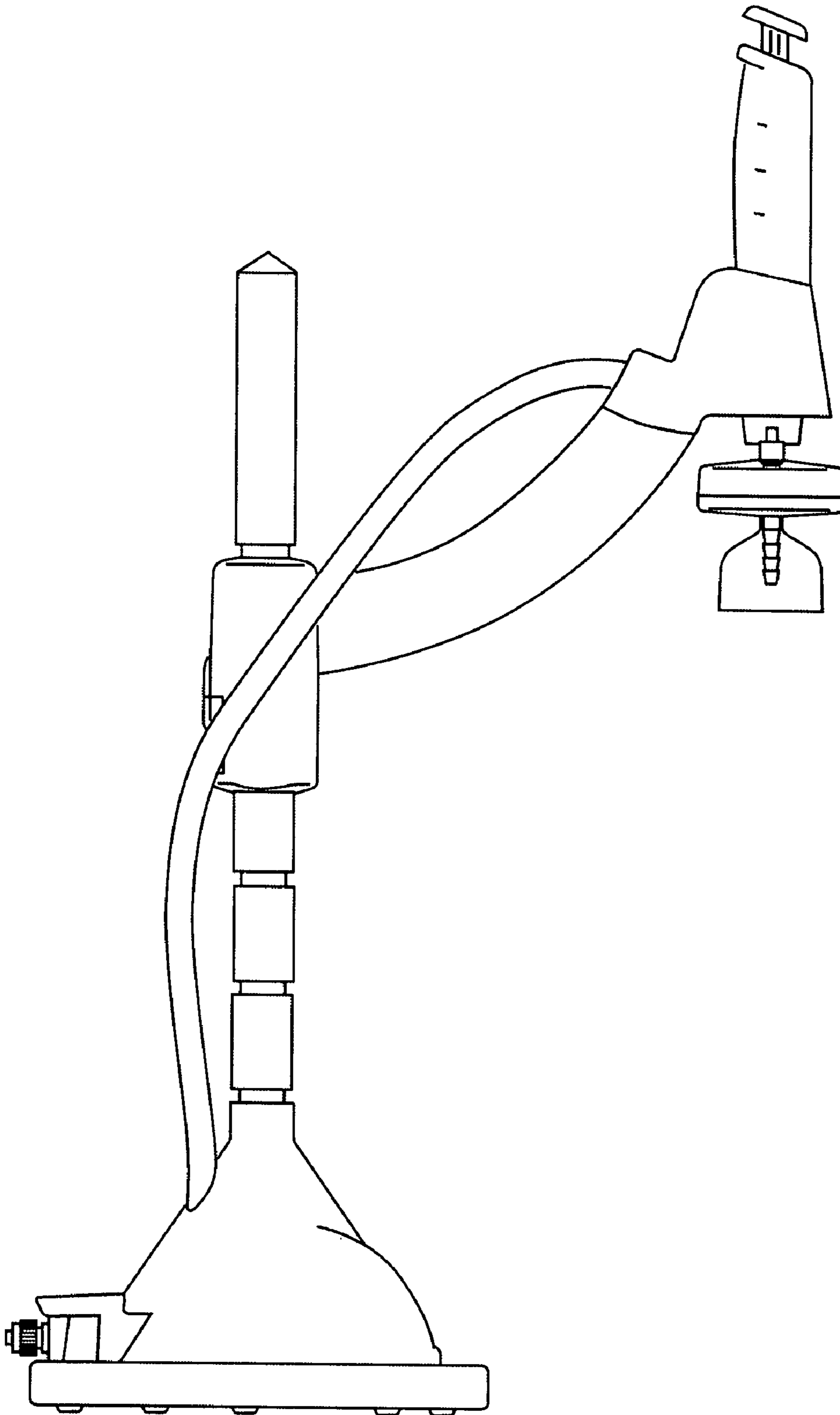


Figure 5

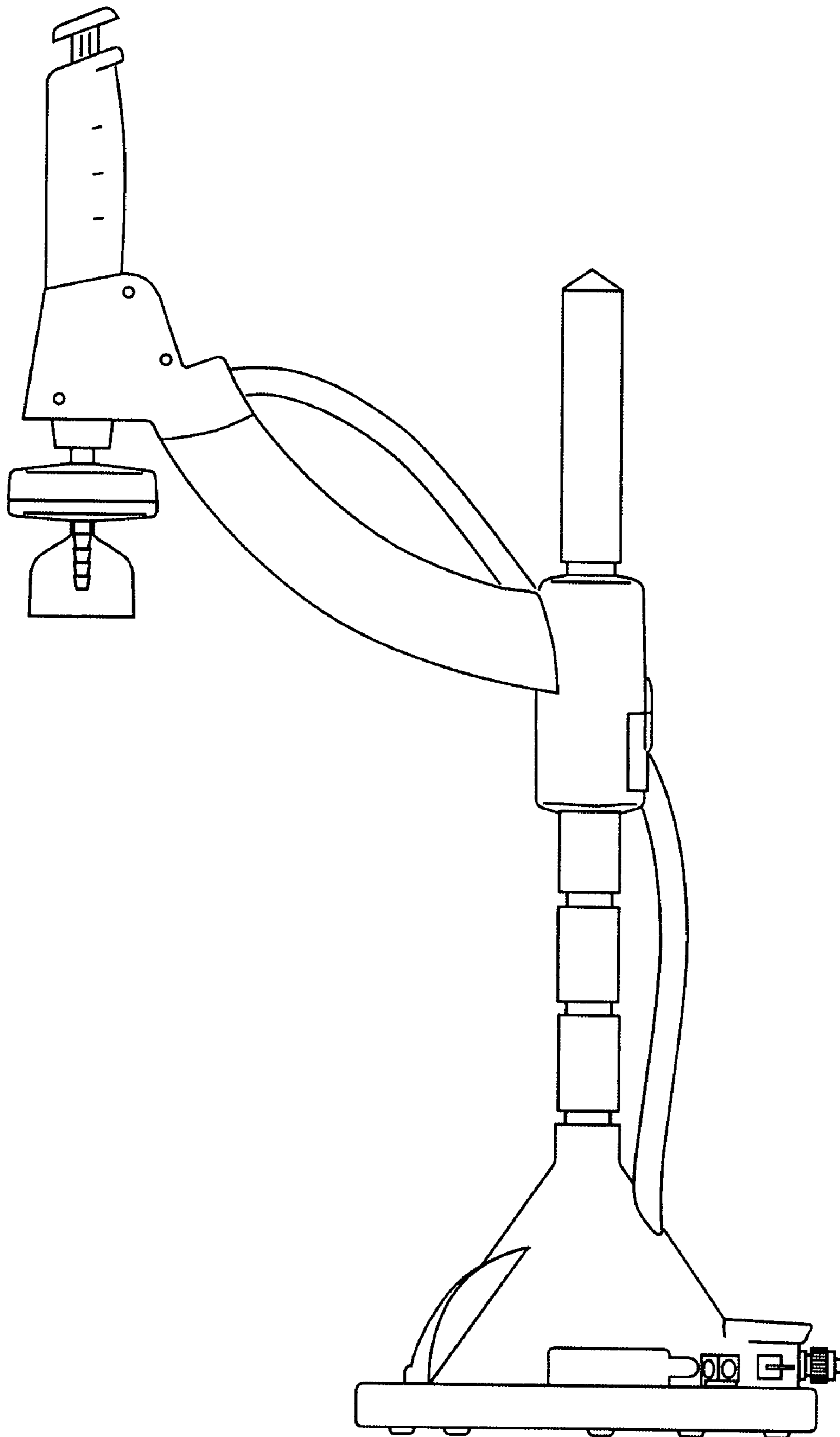


Figure 6

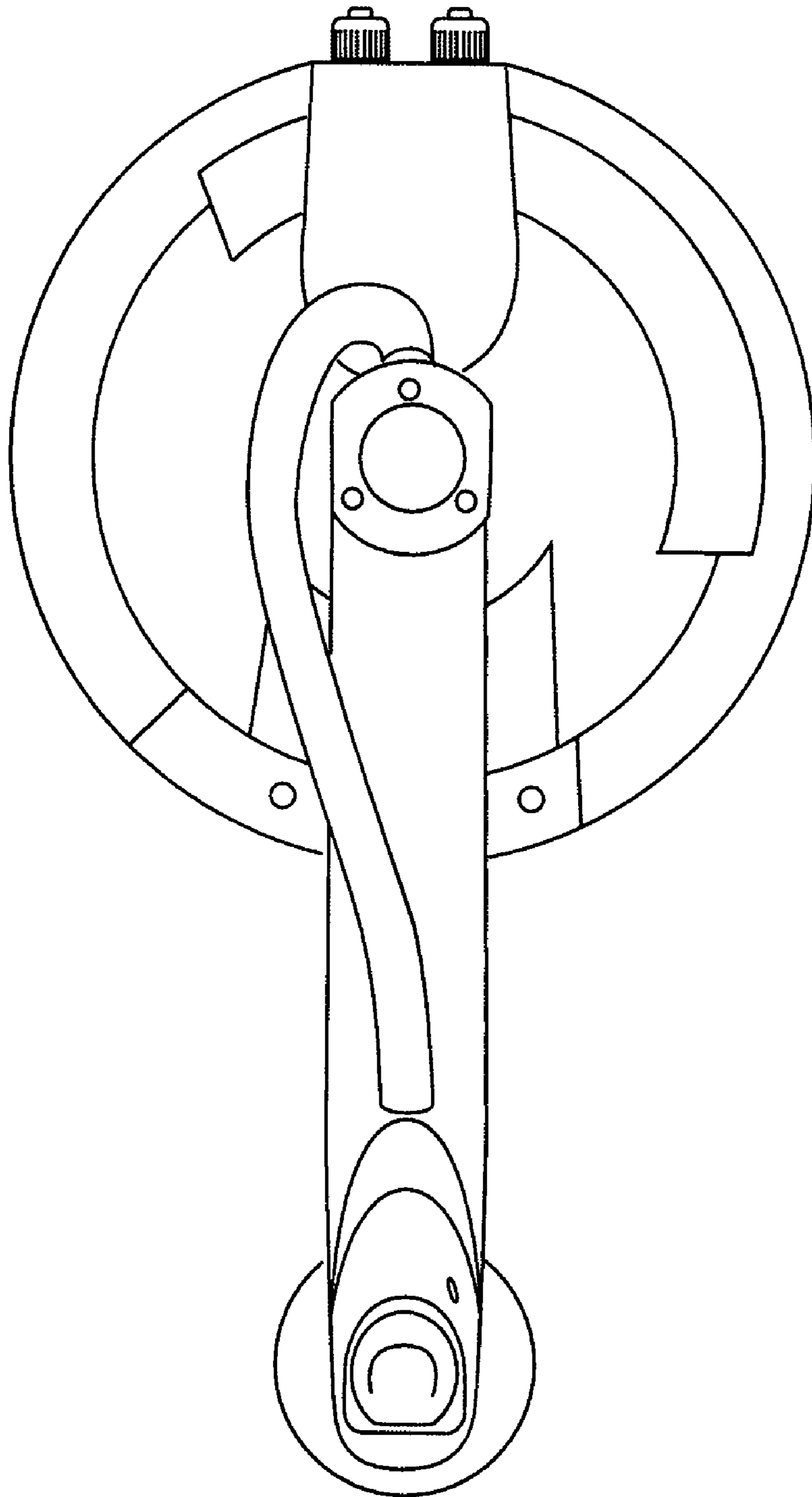


Figure 7

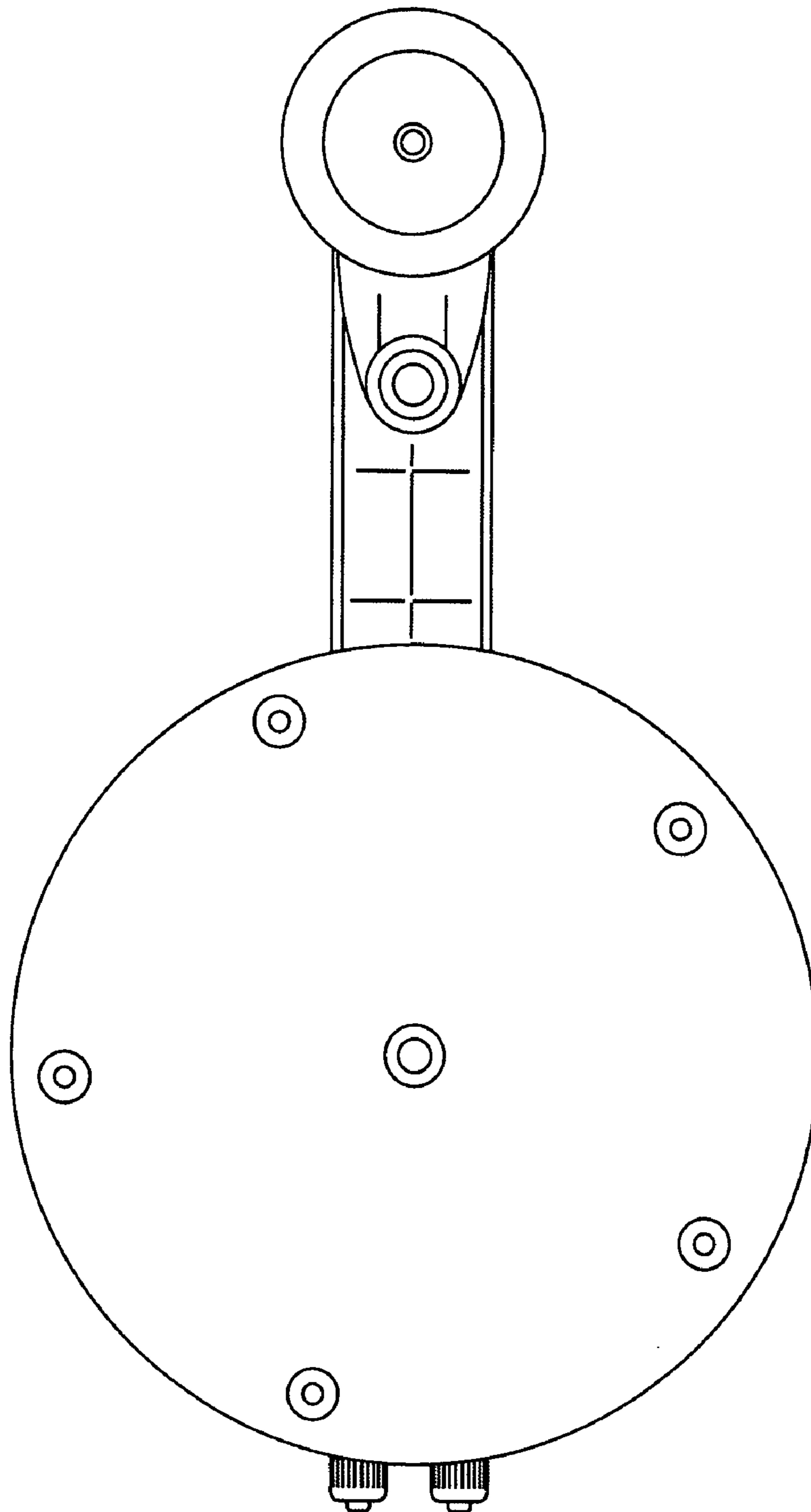


Figure 8