



US00D565691S

(12) **United States Design Patent**  
**Young**

(10) **Patent No.:** **US D565,691 S**

(45) **Date of Patent:** **\*\* Apr. 1, 2008**

(54) **FISHING REEL SIDE PLATE**

D502,754 S \* 3/2005 Tao ..... D22/140

\* cited by examiner

(76) Inventor: **John N. Young**, 31 Pamaron Way Ste  
D, Novato, CA (US) 94949

*Primary Examiner*—Catherine R. Oliver

(\*\*) Term: **14 Years**

(57) **CLAIM**

(21) Appl. No.: **29/286,486**

The ornamental design for a fishing reel side plate, as shown and described.

(22) Filed: **May 7, 2007**

**DESCRIPTION**

(51) **LOC (8) Cl.** ..... **22-05**

FIG. 1 is a left side elevation view of the fishing reel side plate showing my new design;

(52) **U.S. Cl.** ..... **D22/140**

FIG. 2 is a right side elevation thereof;

(58) **Field of Classification Search** ..... D22/137–141;  
242/234–240, 310–312, 314, 317, 319, 323,  
242/283; 43/20–24

FIG. 3 is a front elevation thereof;

See application file for complete search history.

FIG. 4 is a rear elevation thereof;

(56) **References Cited**

FIG. 5 is a top view thereof;

**U.S. PATENT DOCUMENTS**

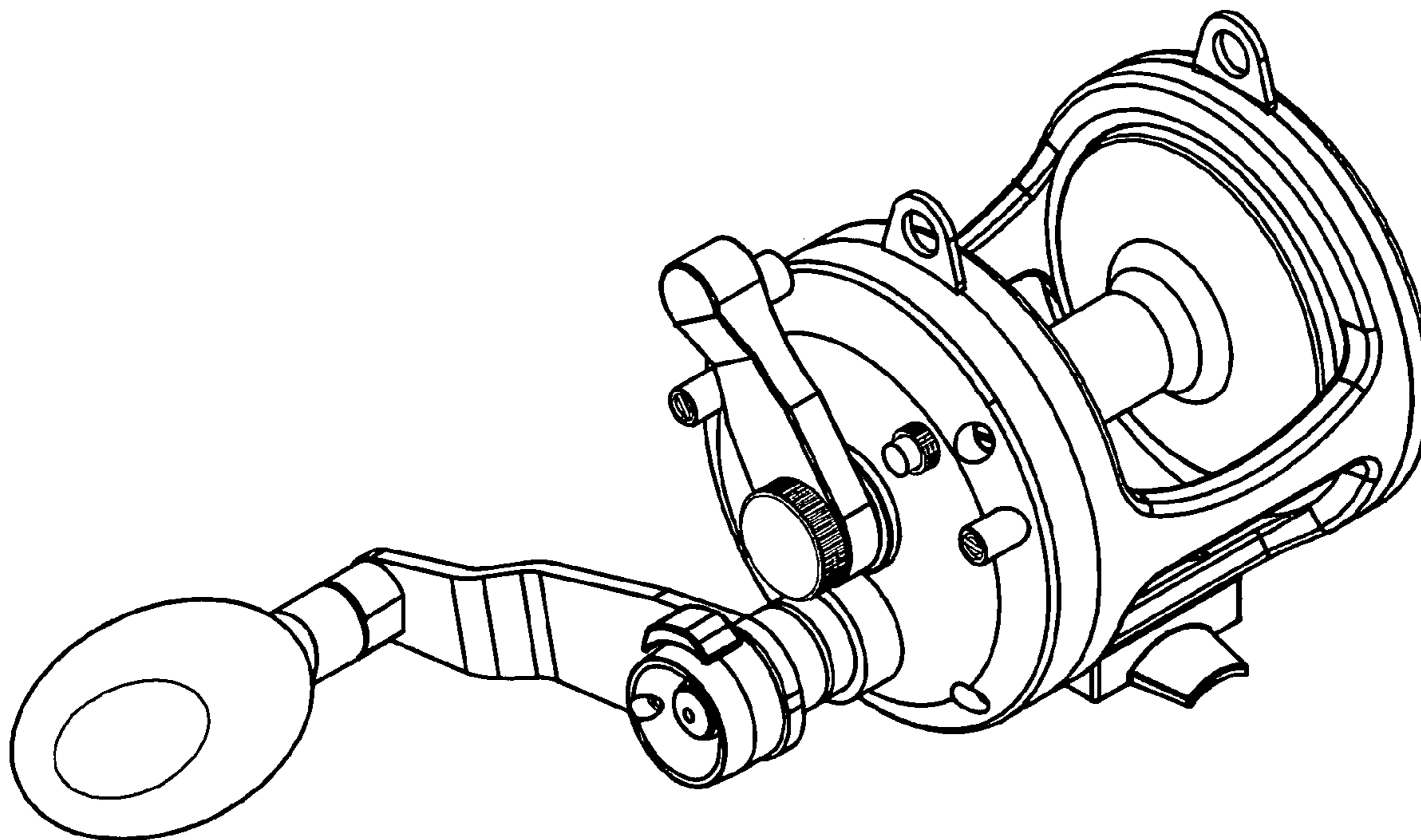
FIG. 6 is a top left perspective view thereof; and,

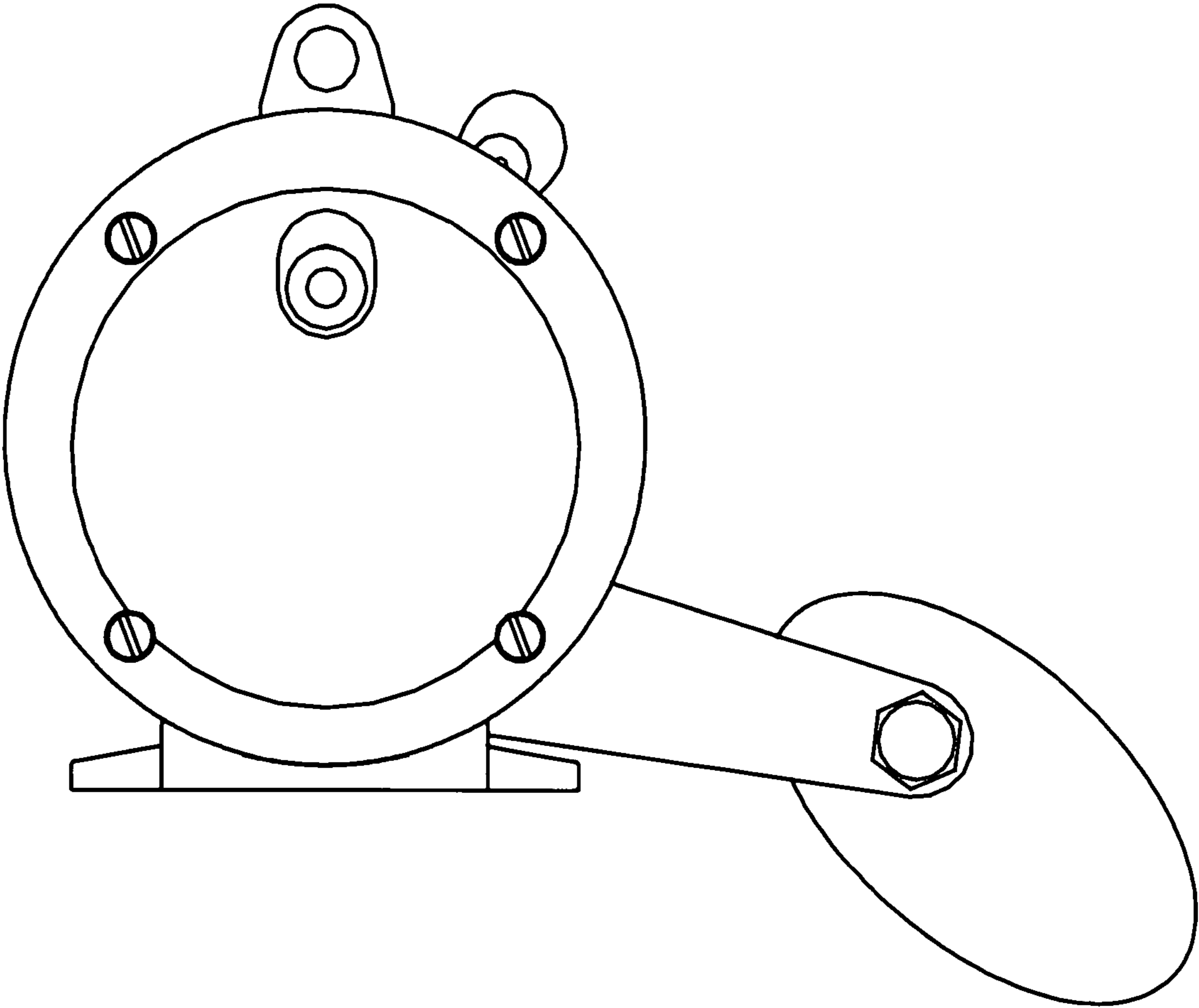
D466,968 S \* 12/2002 Hong ..... D22/140

FIG. 7 is a top right perspective view thereof.

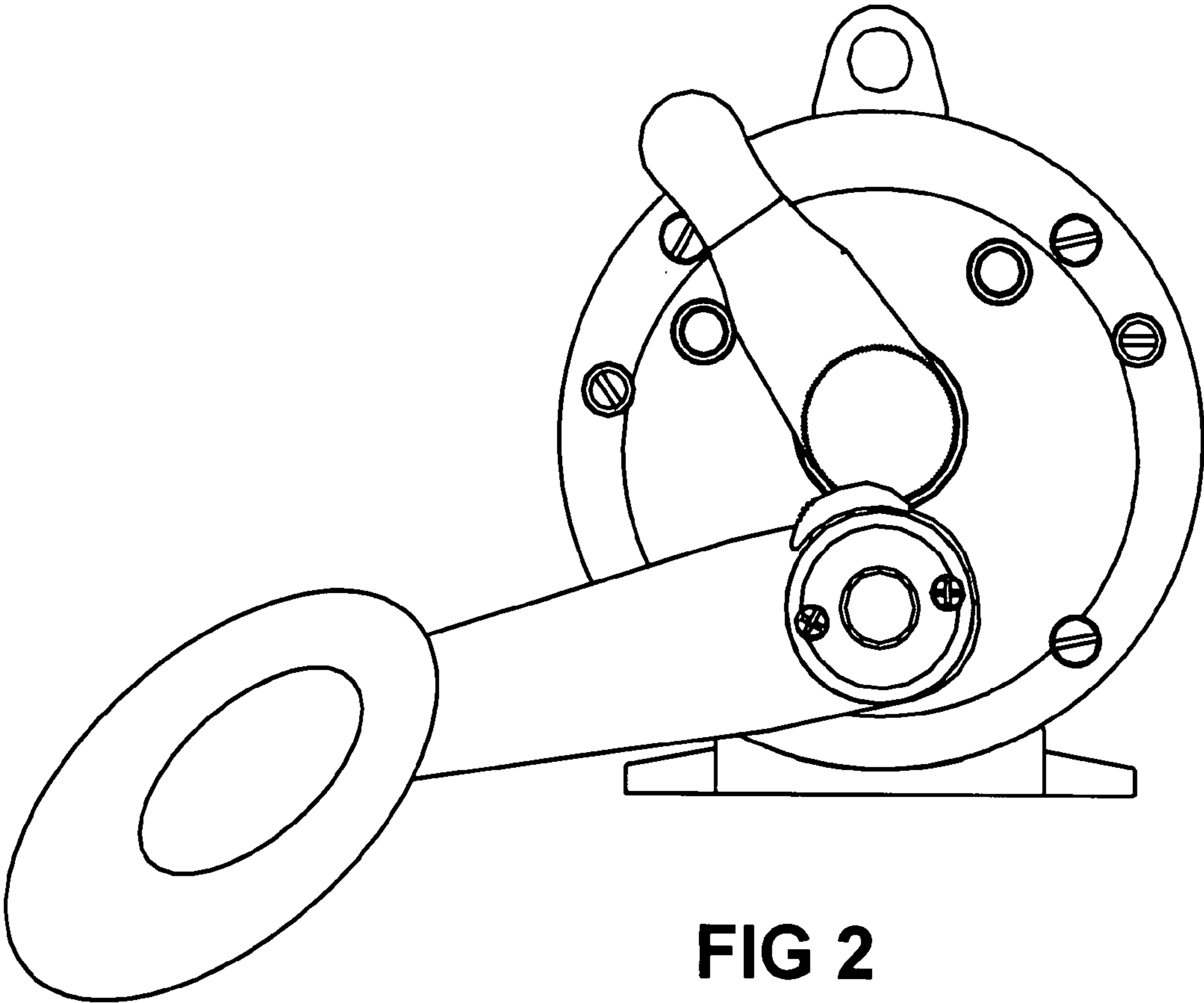
D491,249 S \* 6/2004 Burke et al. .... D22/140

**1 Claim, 7 Drawing Sheets**





**FIG 1**



**FIG 2**

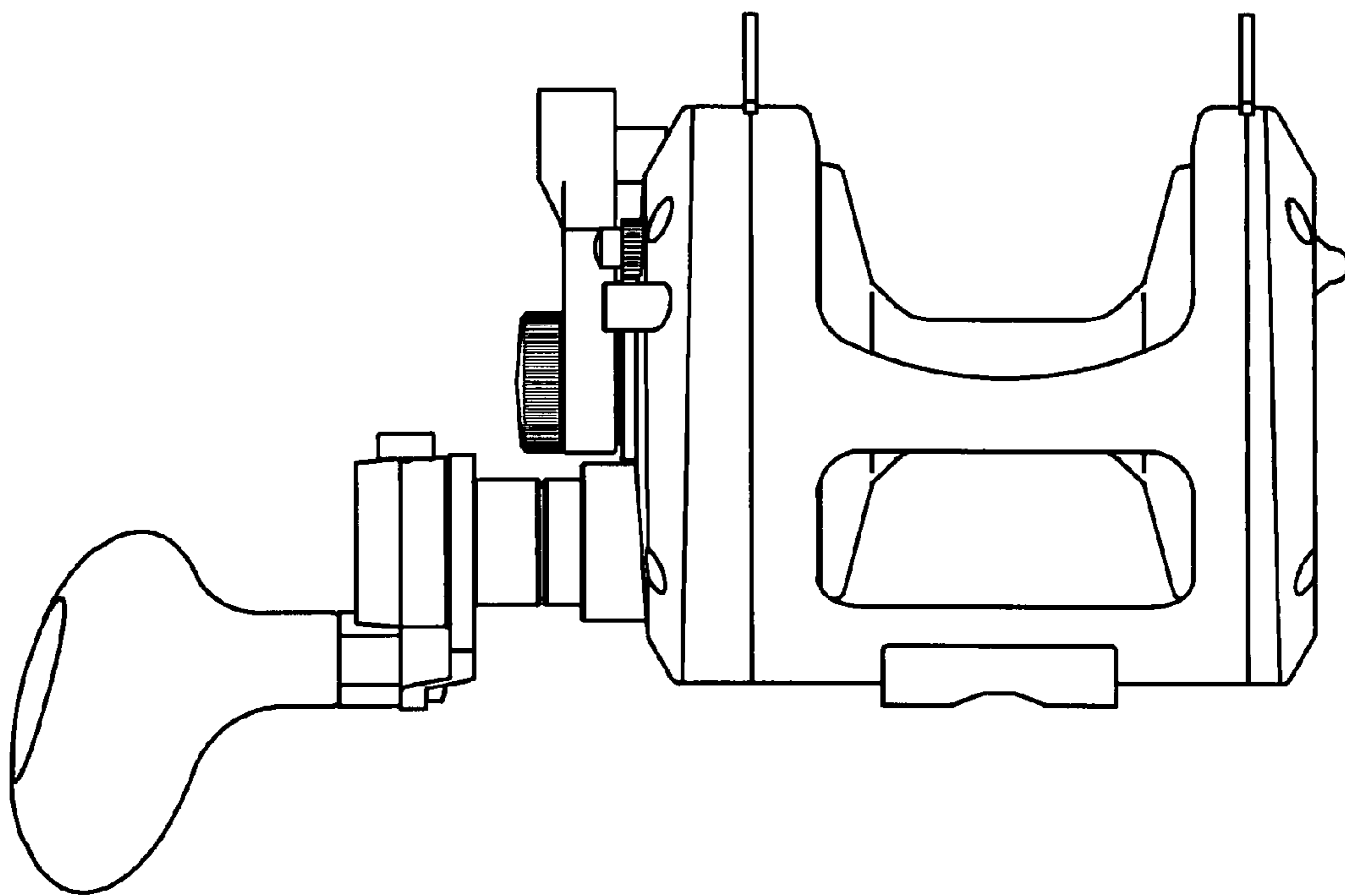
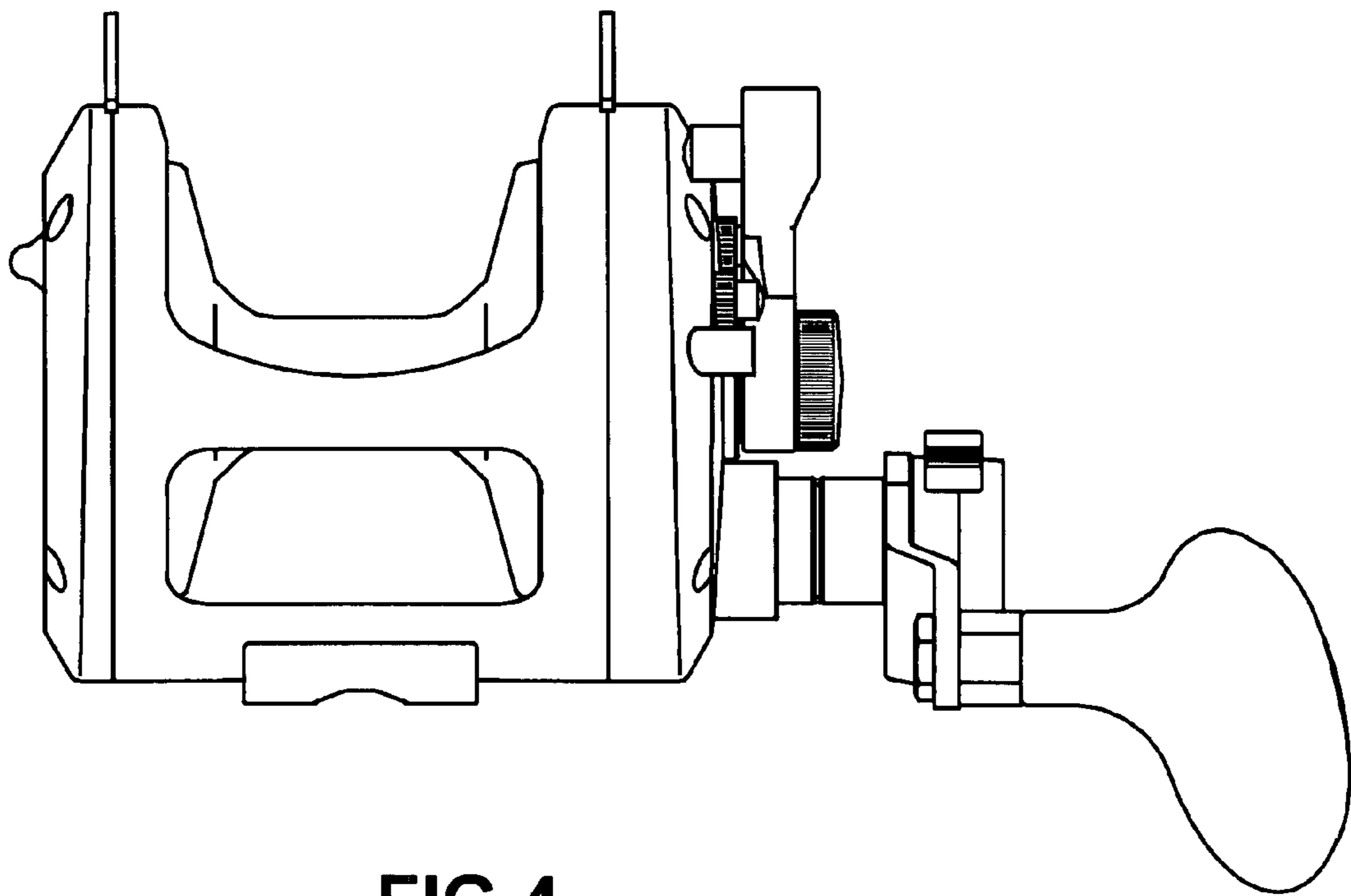
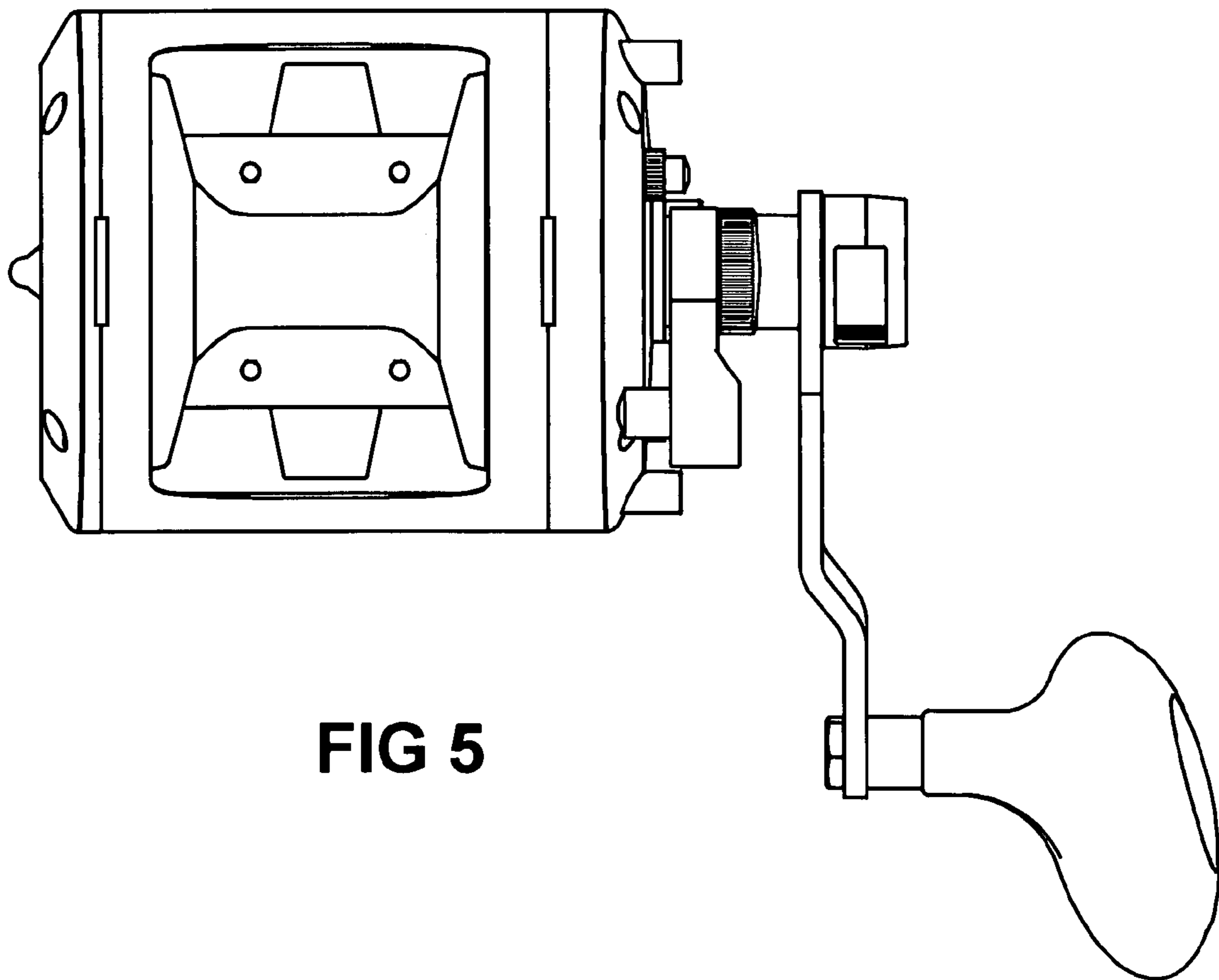
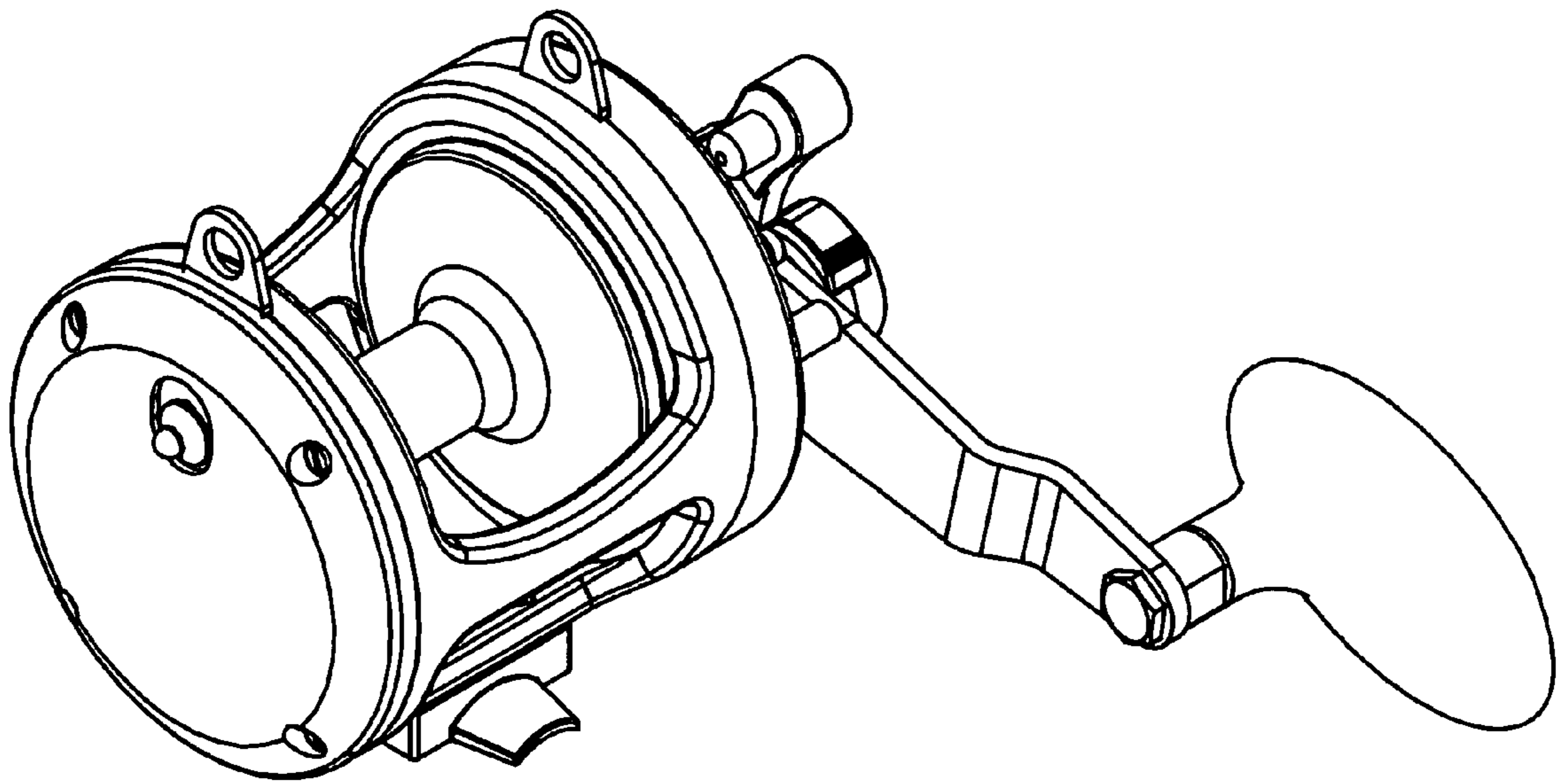


FIG. 3

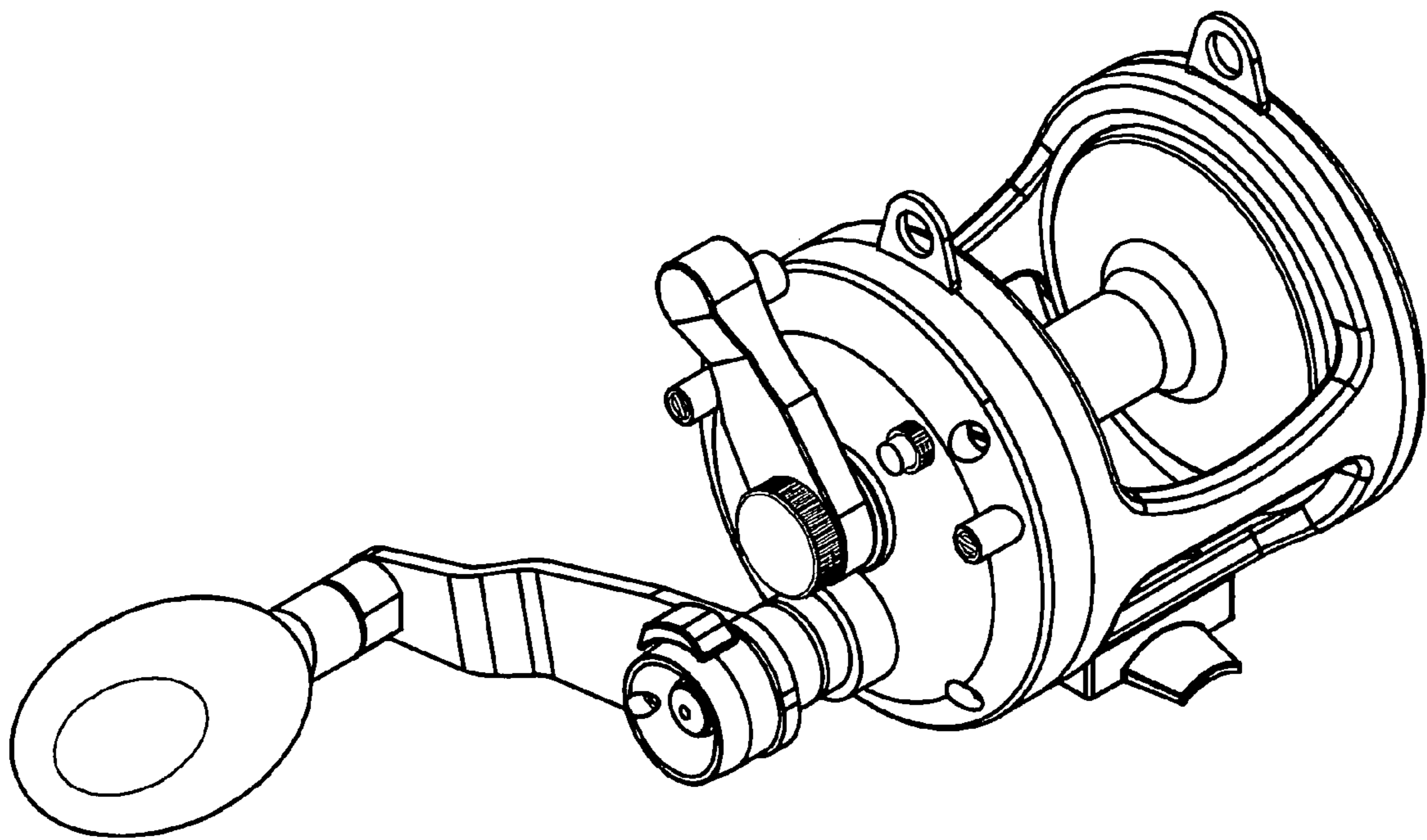


**FIG 4**





**FIG 6**



**FIG 7**