

US00D565689S

(12) **United States Design Patent**  
**Downin et al.**

(10) **Patent No.:** **US D565,689 S**

(45) **Date of Patent:** **\*\* Apr. 1, 2008**

(54) **FIREARM LOADING TOOL**

5,842,299 A \* 12/1998 Switzer et al. .... 42/89  
D448,061 S \* 9/2001 Leard ..... D22/108  
6,865,840 B2 3/2005 Kanyuck et al.

(76) Inventors: **Paul D. Downin**, P.O. Box 704,  
Waynesboro, PA (US) 17268; **Elwood  
D. Martin**, 9854 Grindstone Hill Rd.,  
Greencastle, PA (US) 17225

\* cited by examiner

*Primary Examiner*—Ian Simmons  
*Assistant Examiner*—Melanie Levy  
(74) *Attorney, Agent, or Firm*—Stephen R. Greiner

(\*\*) Term: **14 Years**

(21) Appl. No.: **29/287,217**

(57) **CLAIM**

(22) Filed: **Jul. 10, 2007**

The ornamental design for a firearm loading tool, as shown and described.

(51) **LOC (8) Cl.** ..... **22-01**

(52) **U.S. Cl.** ..... **D22/108**

(58) **Field of Classification Search** ..... D22/100,  
D22/108, 199; 42/27, 89, 88, 106, 87, 90;  
206/3

See application file for complete search history.

**DESCRIPTION**

FIG. 1 is a perspective view of a firearm loading tool showing my new design;

FIG. 2 is a top view thereof;

FIG. 3 is a bottom view thereof;

FIG. 4 is a left side elevational view thereof;

FIG. 5 is a right side elevational view thereof;

FIG. 6 is a front elevational view thereof;

FIG. 7 is a rear elevational view thereof; and,

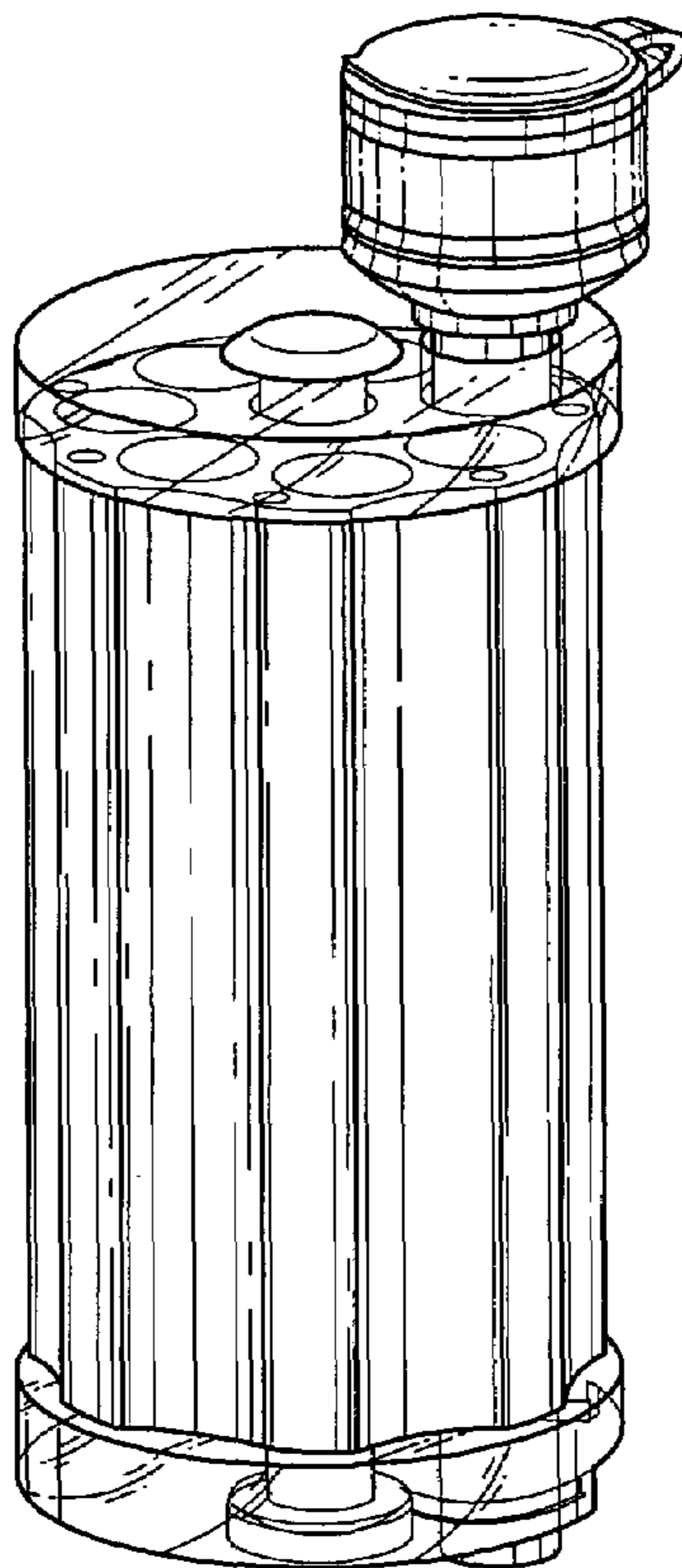
FIG. 8 is a perspective view thereof shown in an alternate condition.

(56) **References Cited**

**U.S. PATENT DOCUMENTS**

163,404 A	5/1875	Phillips	
2,508,820 A	5/1950	Fraley	
3,757,449 A	9/1973	Schindler	
4,550,517 A	11/1985	Mansfield	
5,081,781 A	1/1992	Kanyuck et al.	
5,109,623 A	5/1992	French	
5,182,412 A	1/1993	Mazza	
5,375,358 A *	12/1994	Riness et al.	42/27

**1 Claim, 4 Drawing Sheets**



# FIG. 1

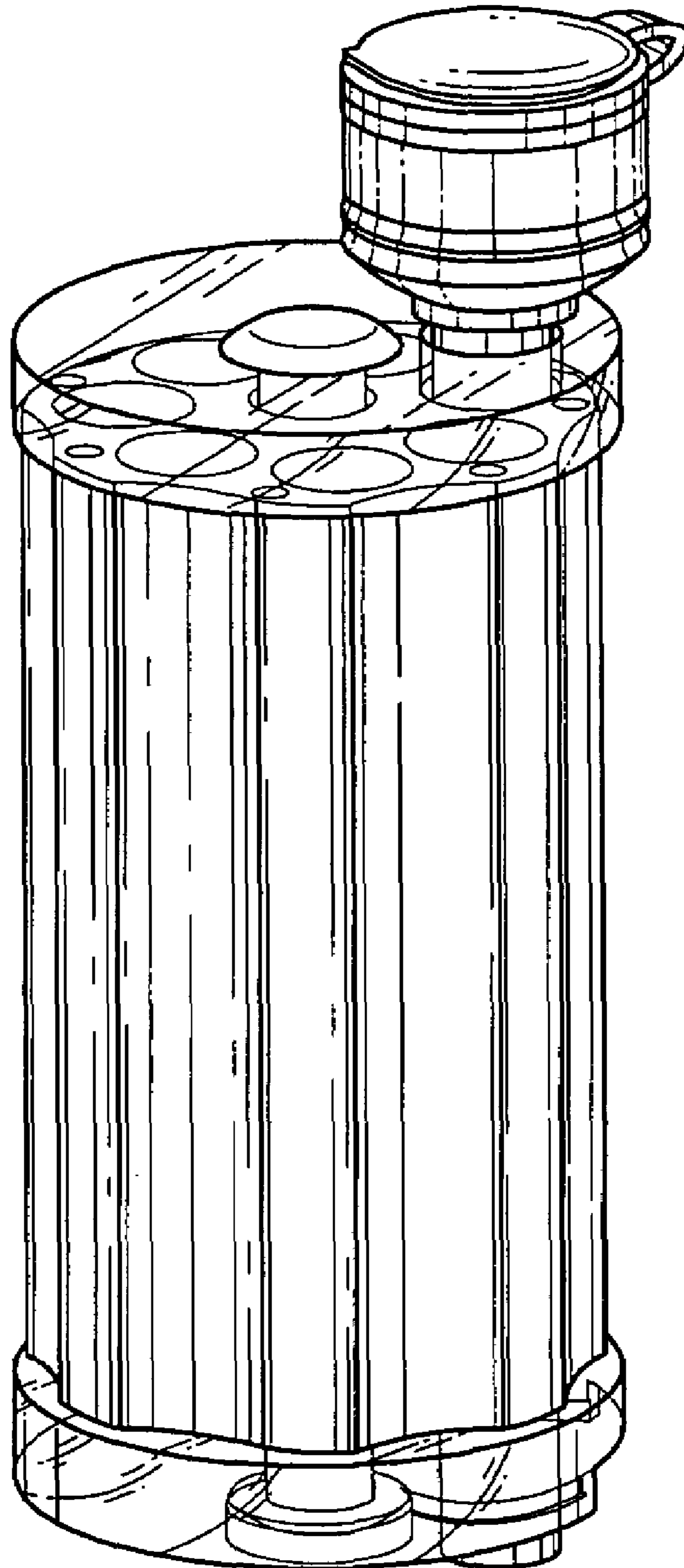


FIG. 2

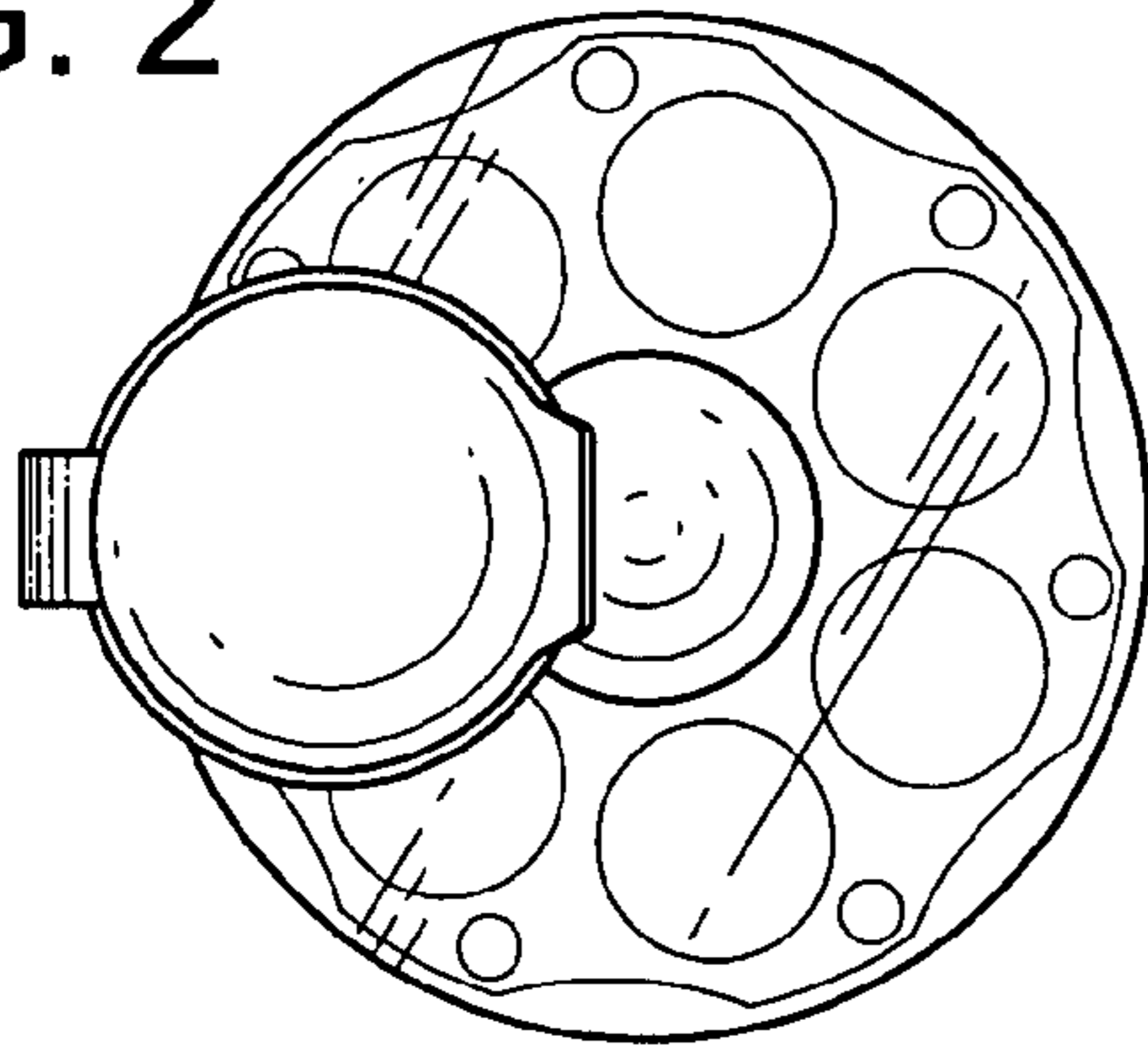


FIG. 3

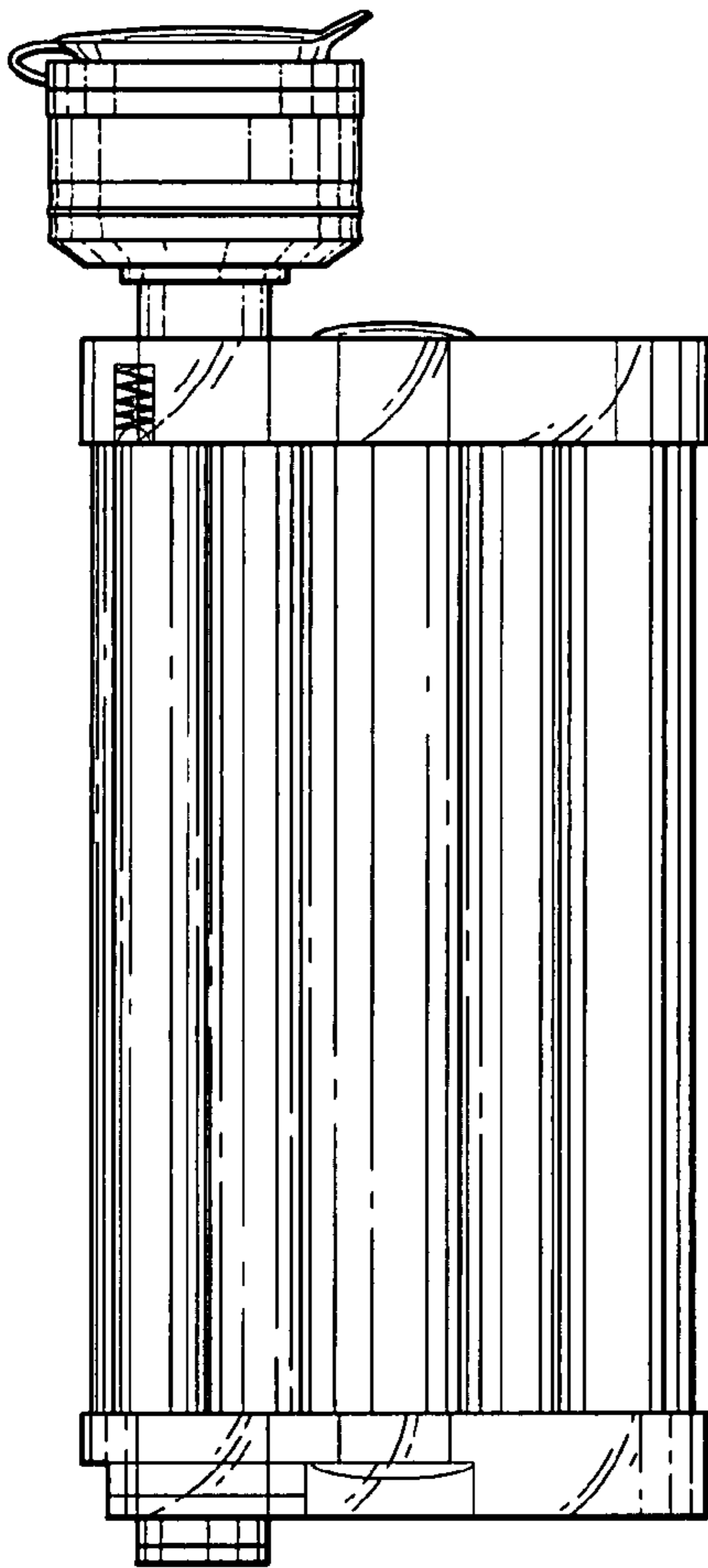
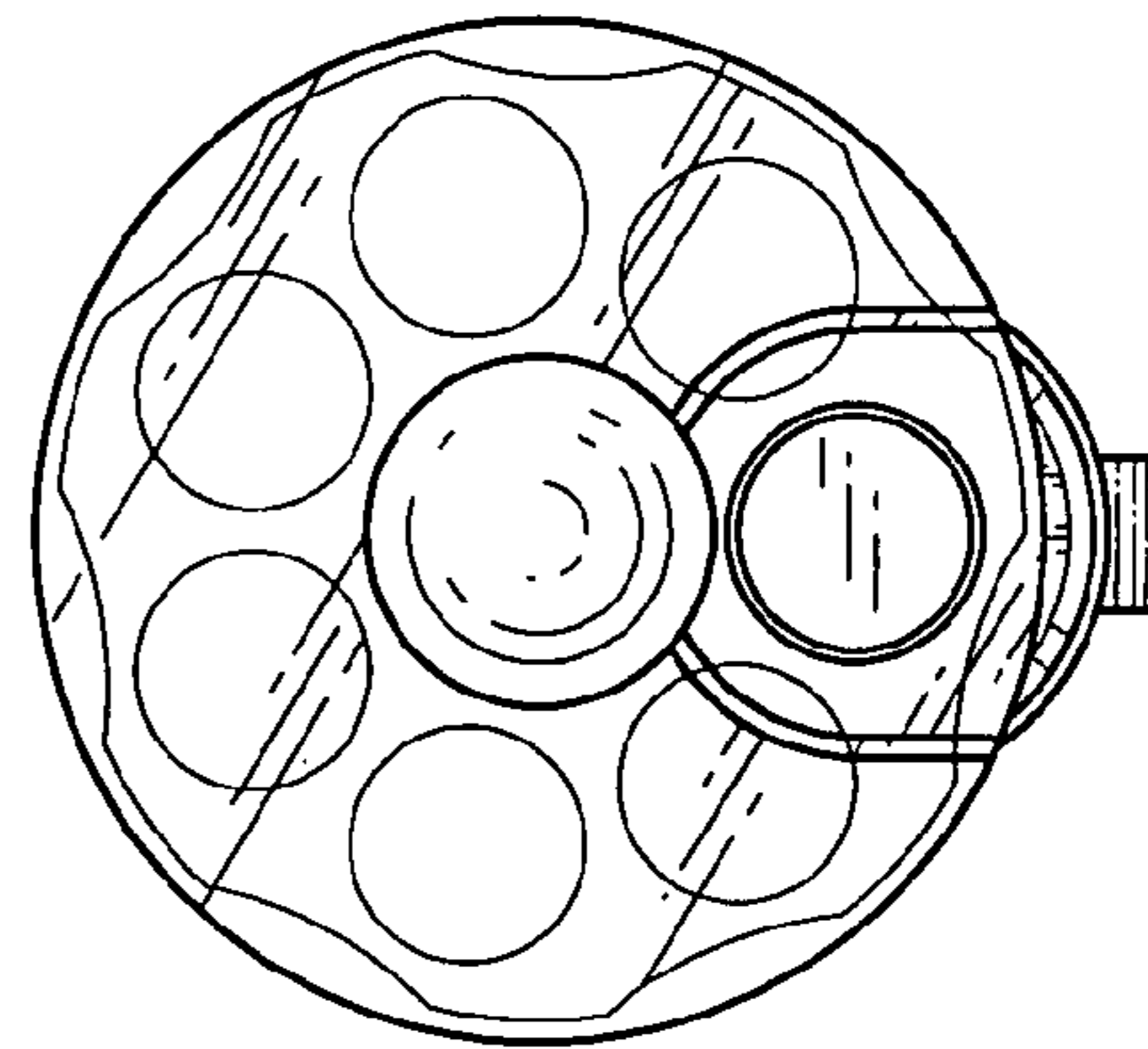


FIG. 4

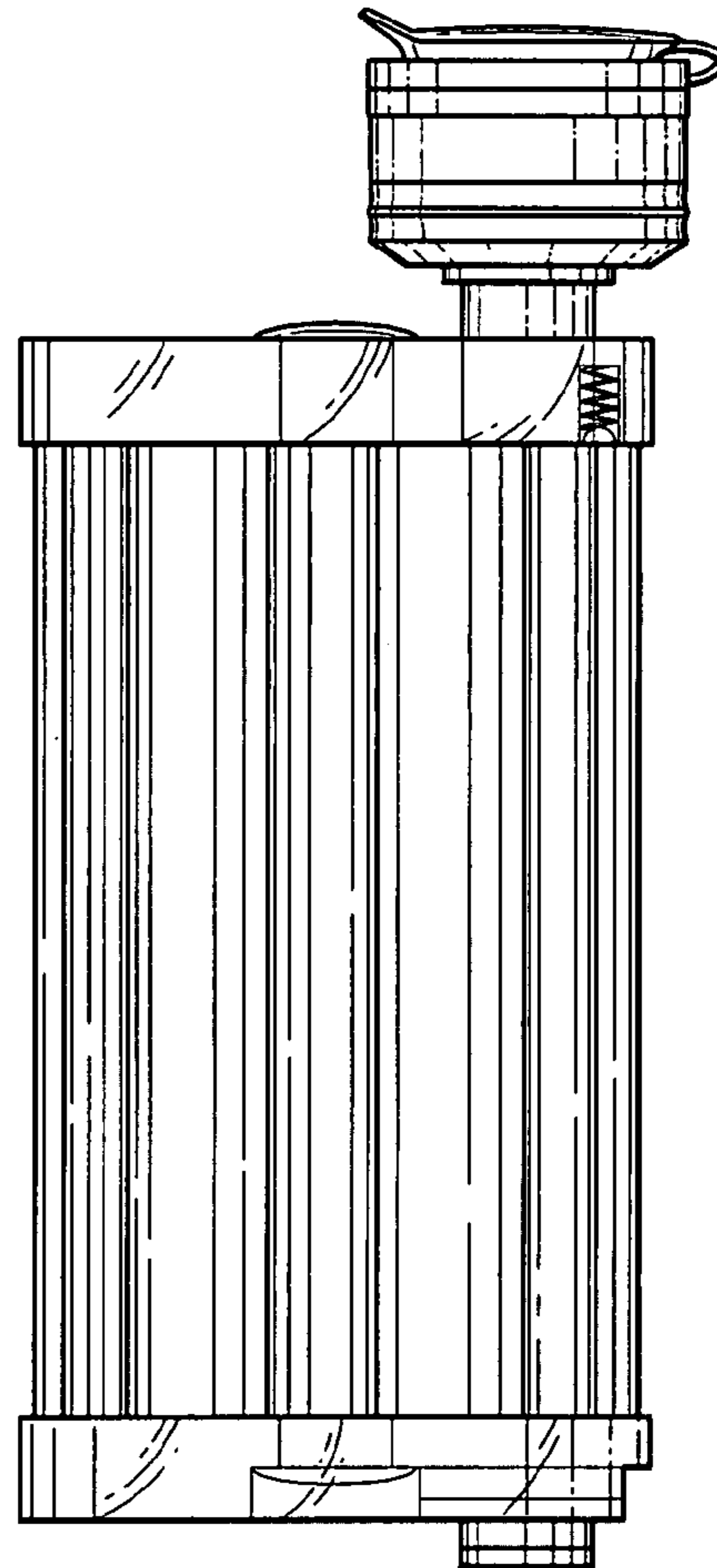


FIG. 5

FIG. 6

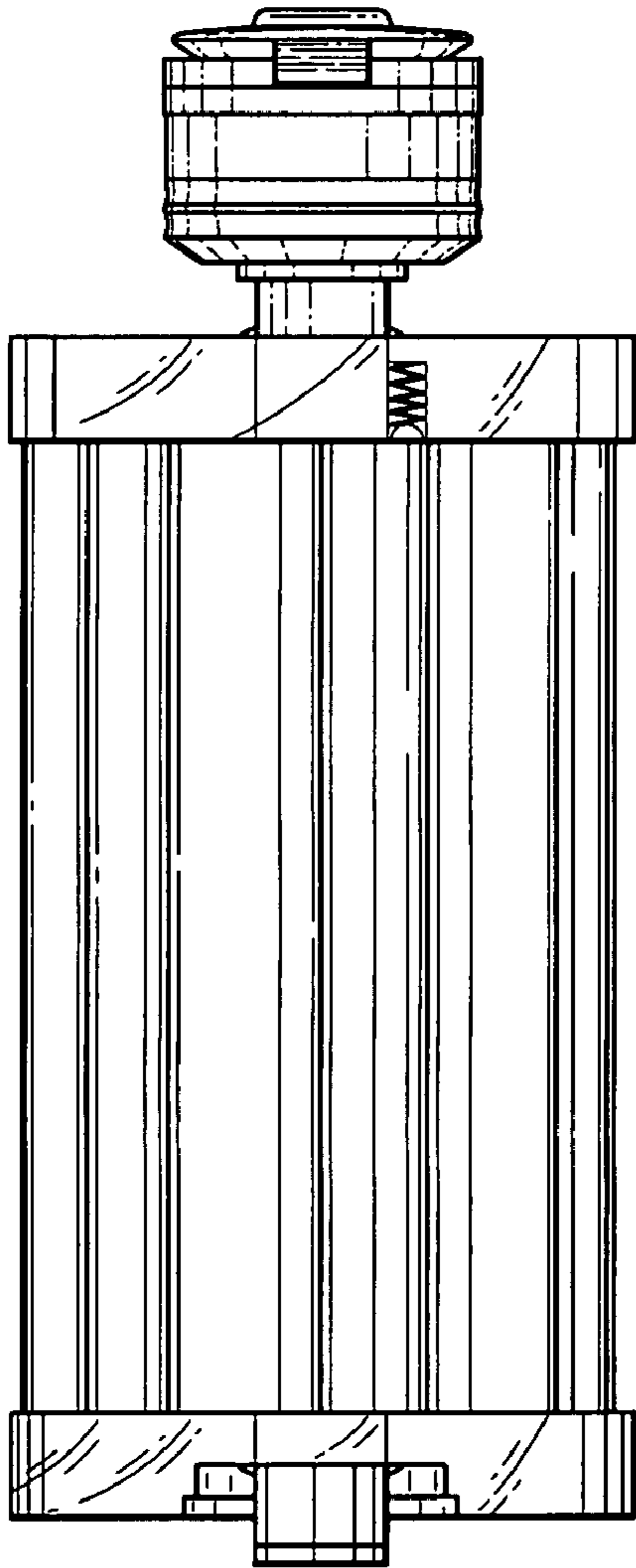


FIG. 7

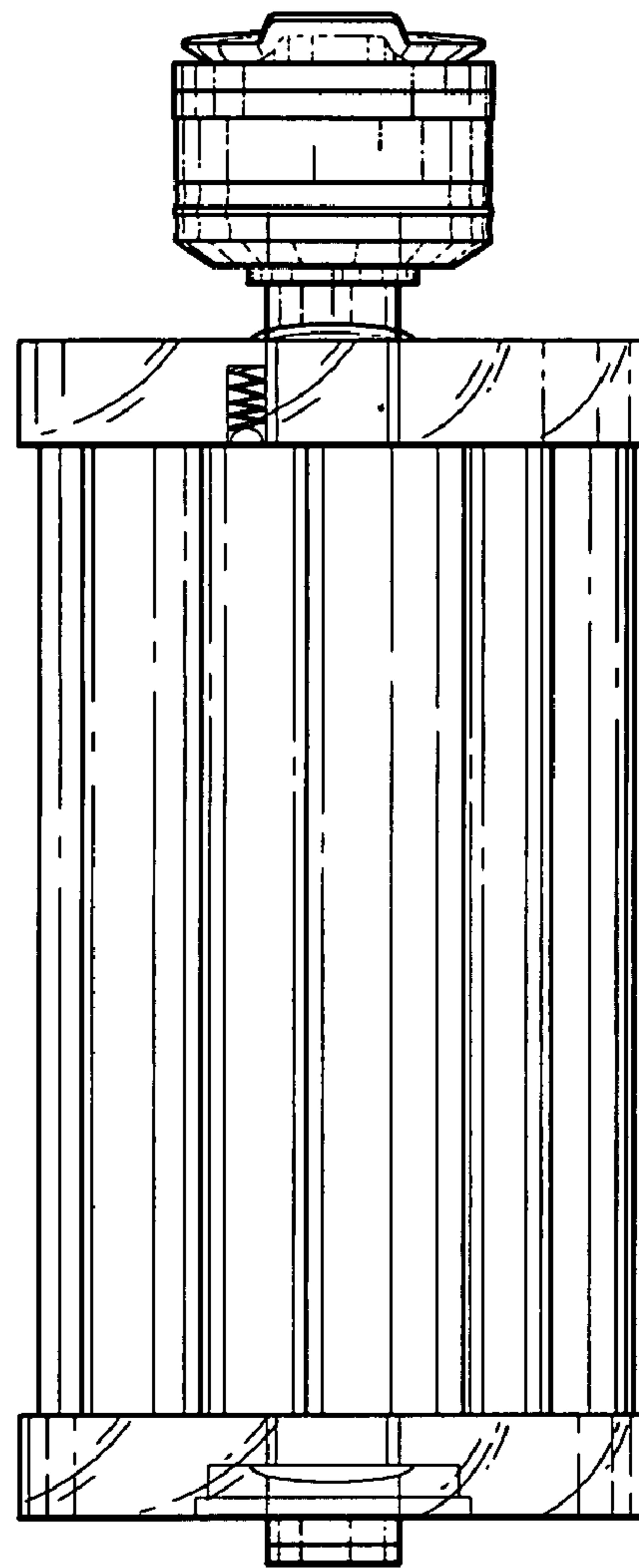


FIG. 8

