



US00D565680S

(12) **United States Design Patent**  
**Gedeon**

(10) **Patent No.:** **US D565,680 S**

(45) **Date of Patent:** **\*\* Apr. 1, 2008**

(54) **GOLF PUTTER HEAD AND HOSEL ASSEMBLY**

(74) *Attorney, Agent, or Firm*—Arthur G. Yeager

(76) **Inventor:** **Robert J. Gedeon**, 2906 Eastwind Dr.,  
Amelia Island, FL (US) 32034

(57) **CLAIM**

I claim the ornamental design for a golf putter head and hosel assembly, as shown and described.

(\*\*) **Term:** **14 Years**

**DESCRIPTION**

(21) **Appl. No.:** **29/270,319**

FIG. 1 is a rear perspective view of the golf putter head and hosel assembly showing my new design in accord with my invention;

(22) **Filed:** **Dec. 20, 2006**

FIG. 2 is a front elevational view thereof;

(51) **LOC (8) Cl.** ..... **21-02**

FIG. 3 is a rear elevational view thereof;

(52) **U.S. Cl.** ..... **D21/736**

FIG. 4 is a top plan view thereof with the hosel pivoted to the left from the right shown in FIG. 1;

(58) **Field of Classification Search** ..... D21/736-746;  
473/324-331, 251-256, 340, 341

See application file for complete search history.

FIG. 5 is a bottom plan view of FIG. 4;

(56) **References Cited**

**U.S. PATENT DOCUMENTS**

FIG. 6 is a left elevational view of FIG. 4;

FIG. 7 is a right elevational view of FIG. 4;

FIG. 8 is a front elevational view of FIG. 4; and,

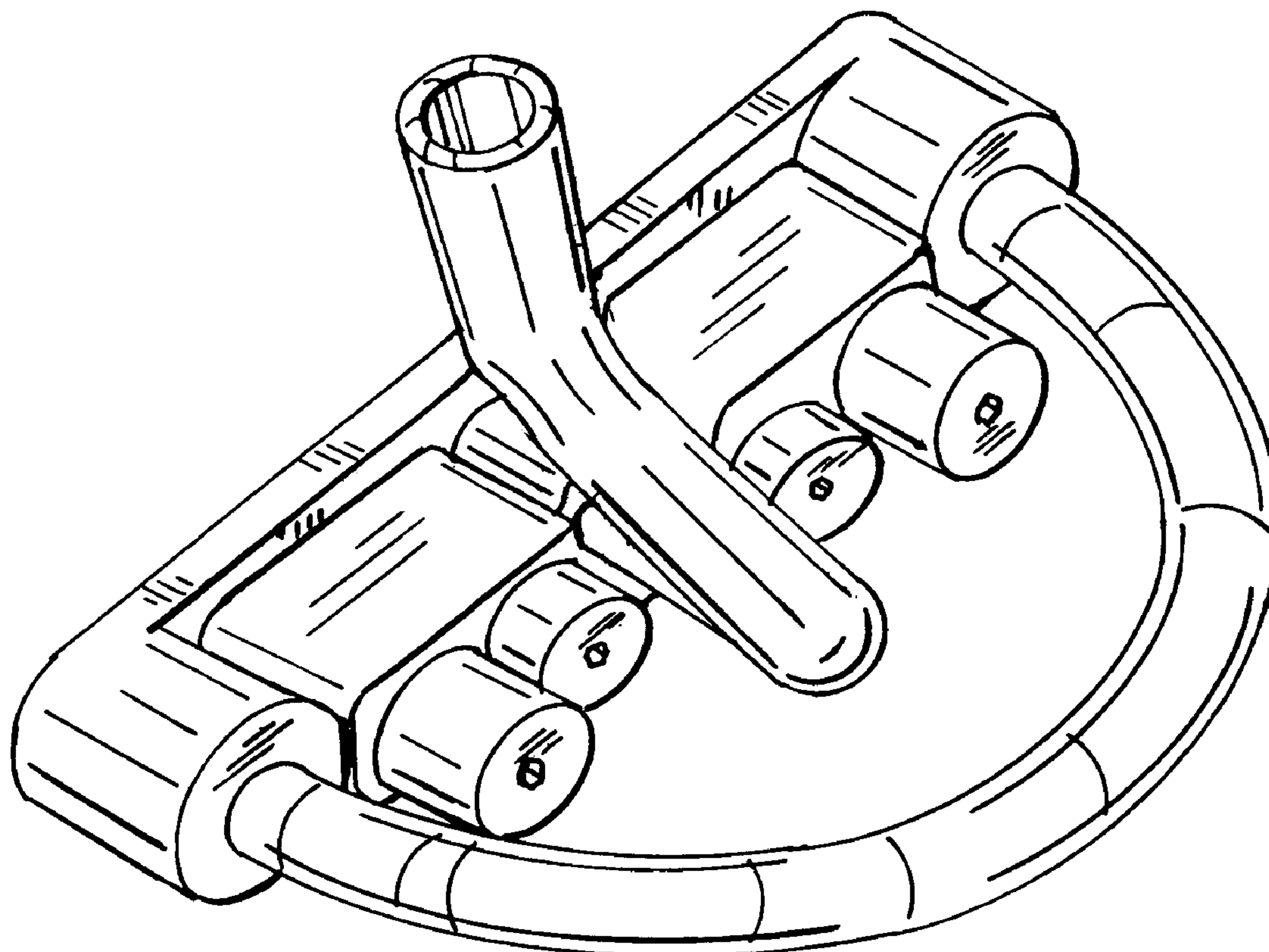
FIG. 9 is a bottom plan view of another embodiment of the design that is similar to FIG. 5, showing an enlarged and heavier semicircular weight.

D437,017 S *	1/2001	Ford	.....	D21/744
D493,857 S *	8/2004	Cameron	.....	D21/738
D507,316 S *	7/2005	Li	.....	D21/742
D537,136 S *	2/2007	De La Cruz	.....	D21/744

\* cited by examiner

*Primary Examiner*—Mitchell Siegel

**1 Claim, 5 Drawing Sheets**



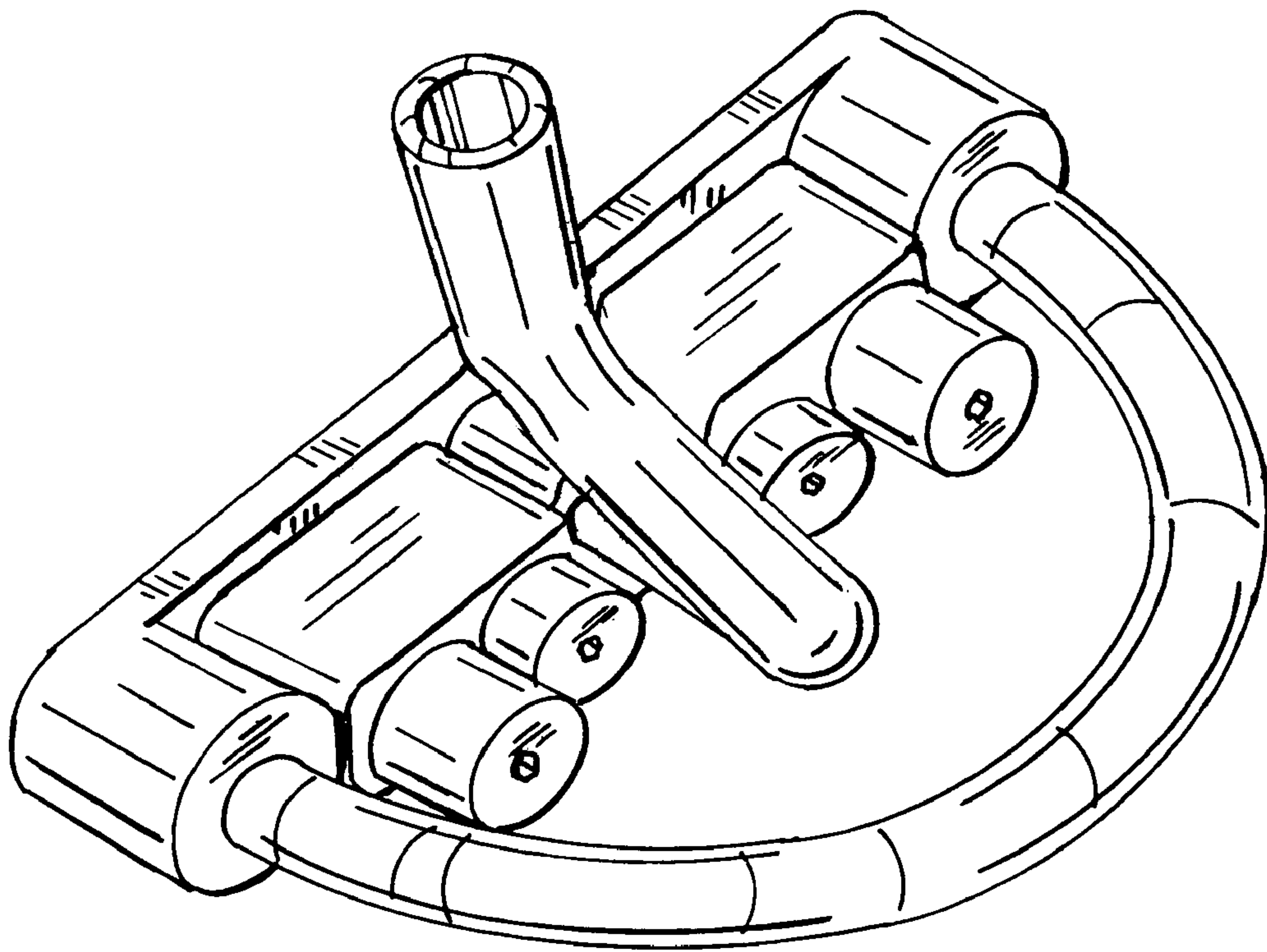


FIG. 1

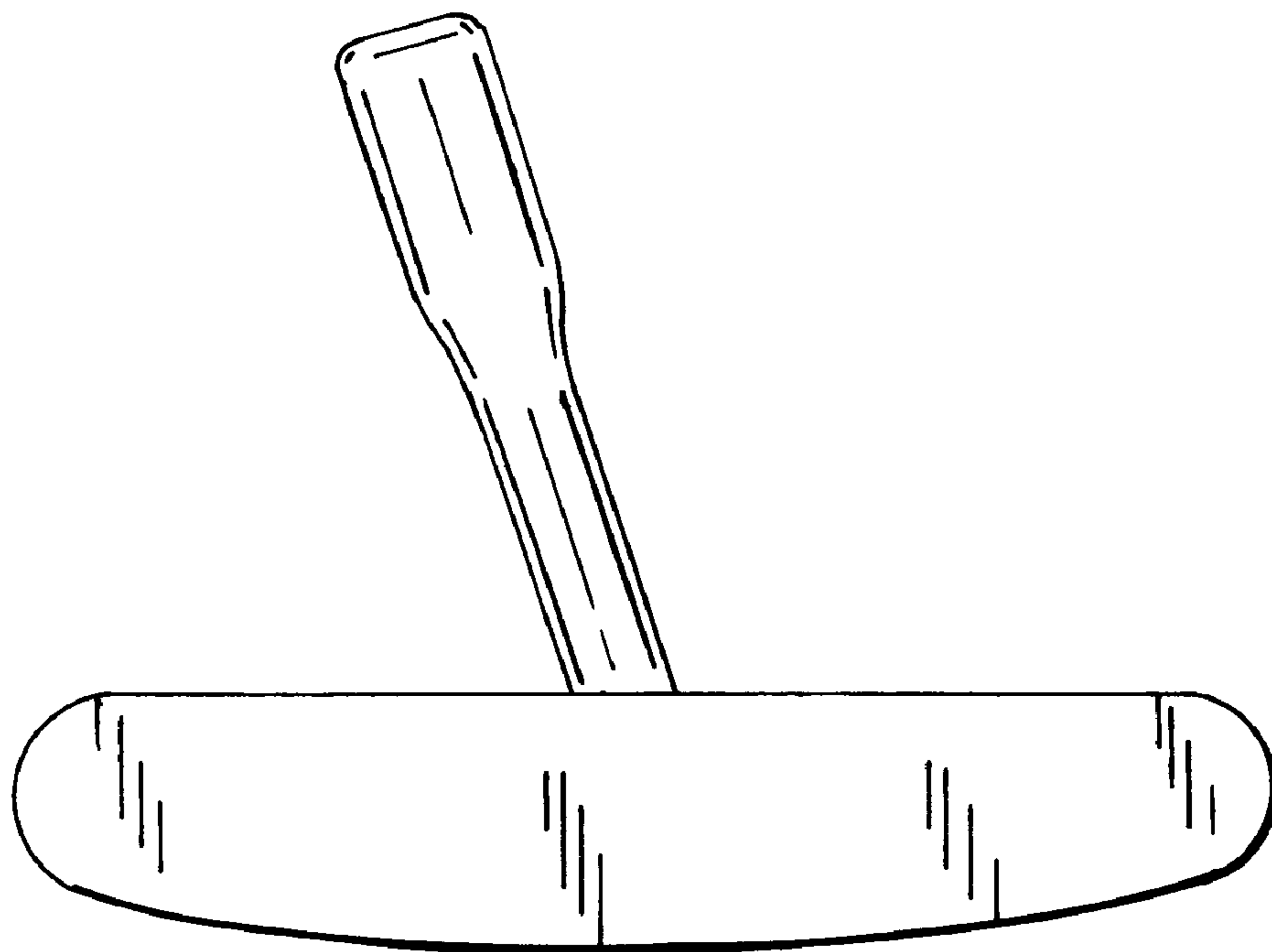


FIG. 2

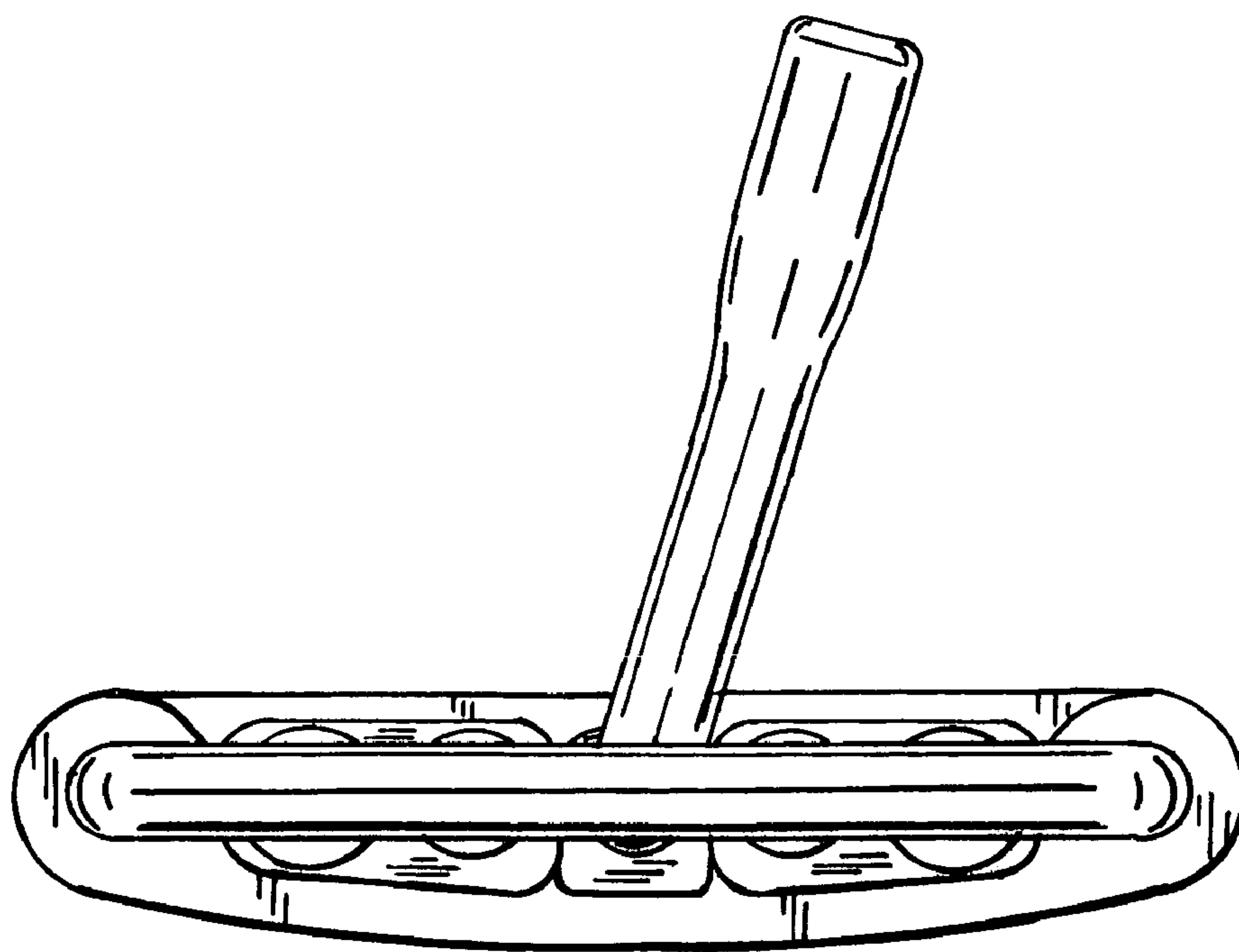


FIG. 3

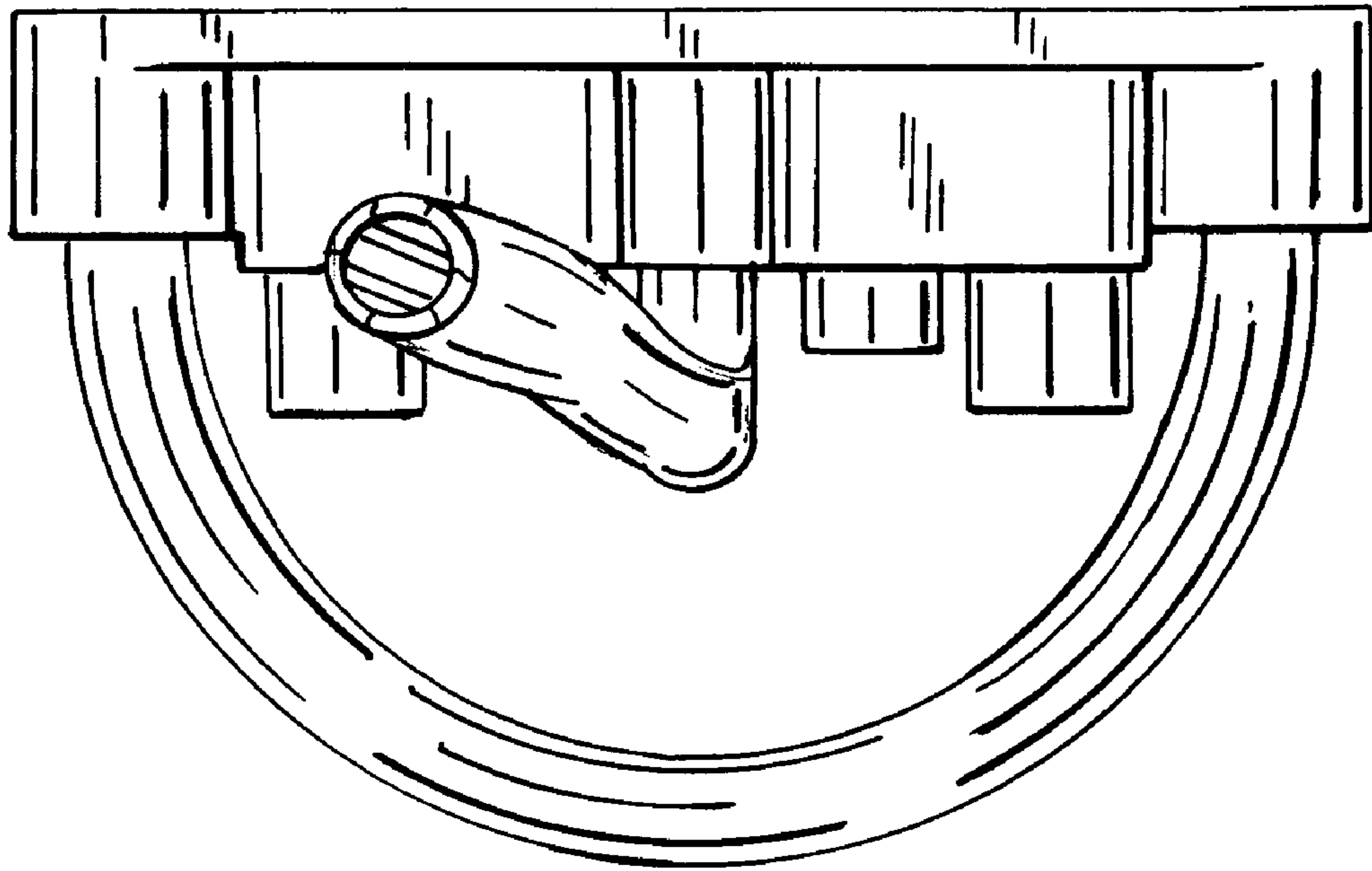


FIG. 4

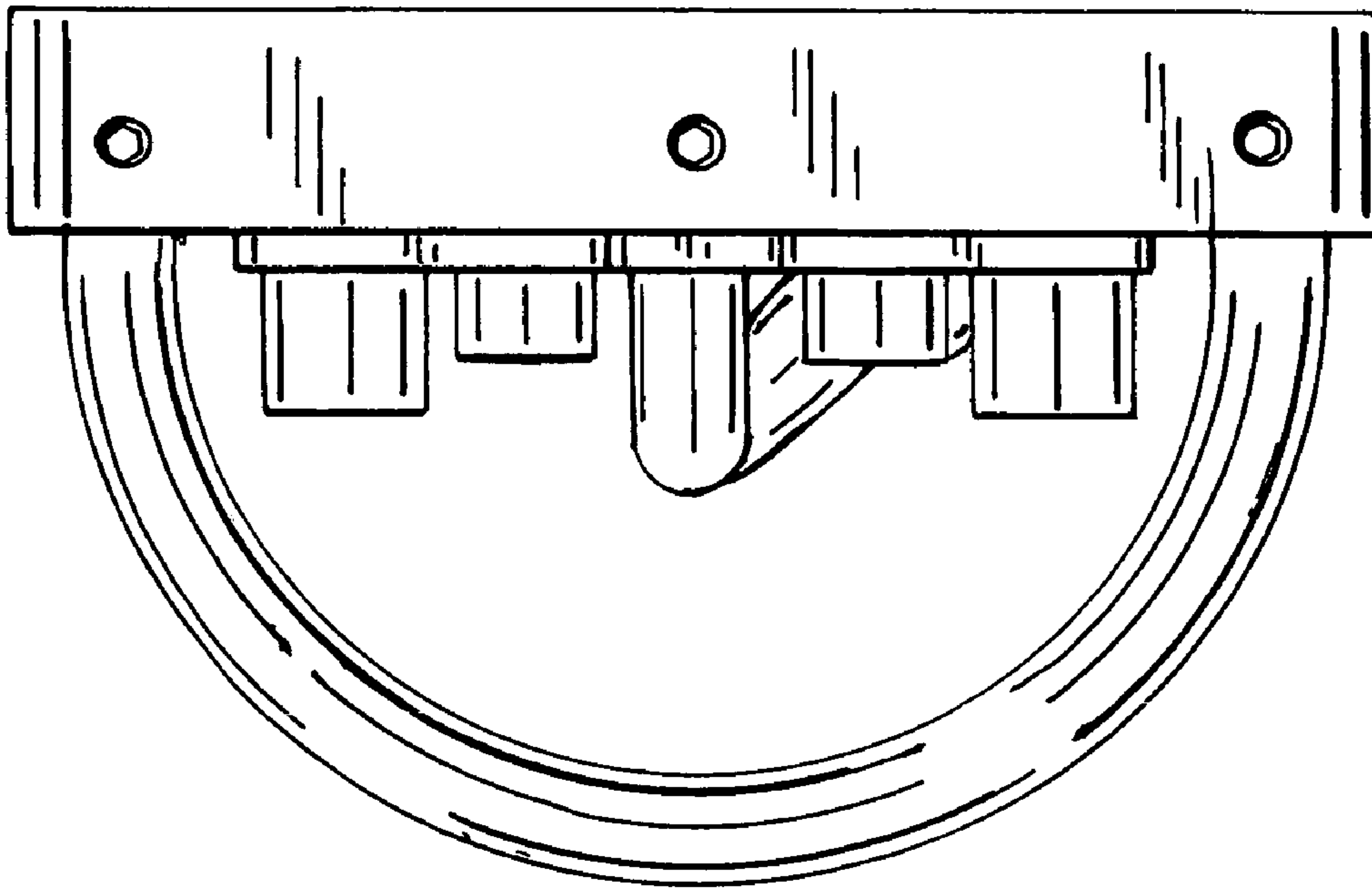


FIG. 5

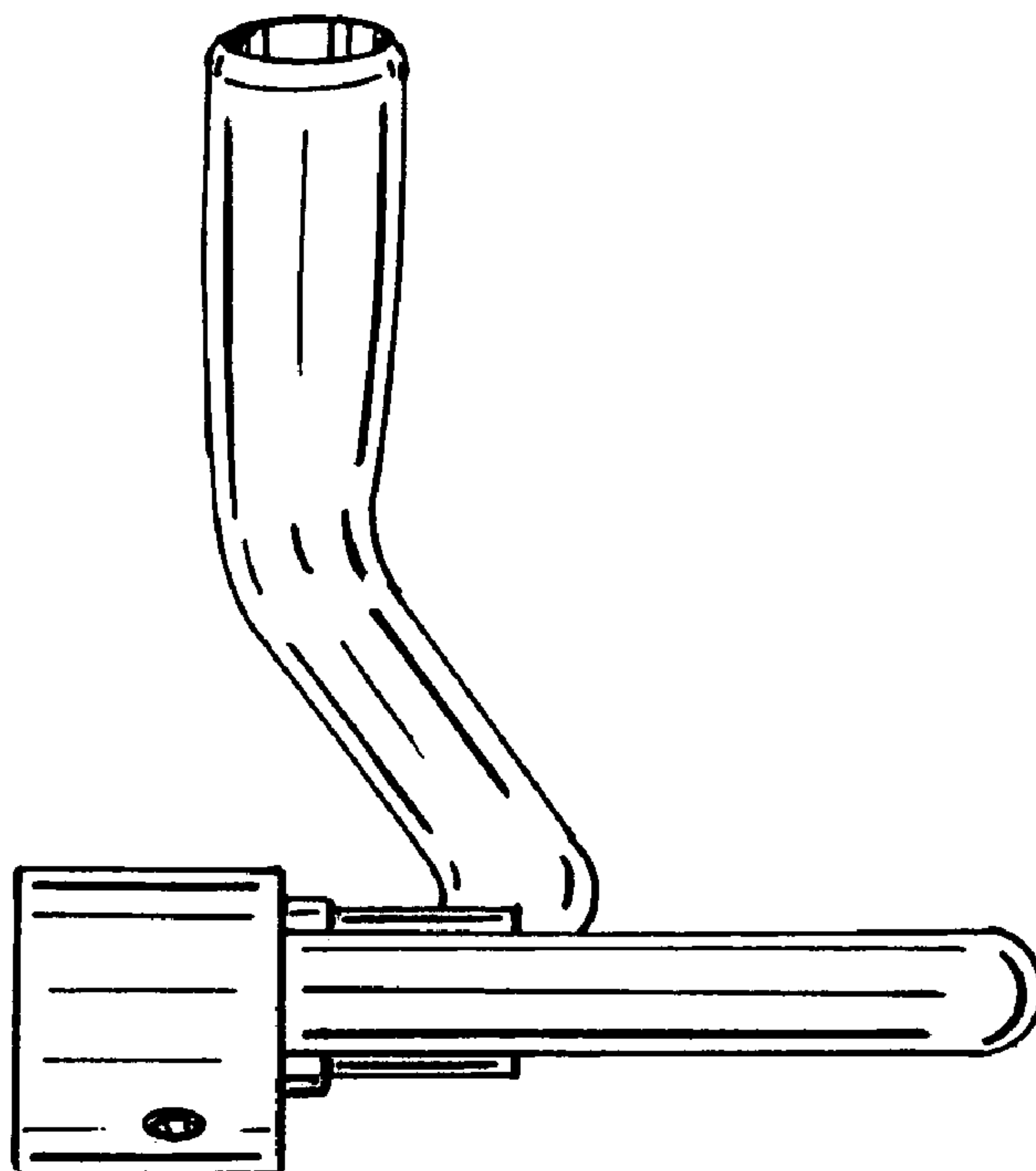


FIG. 6

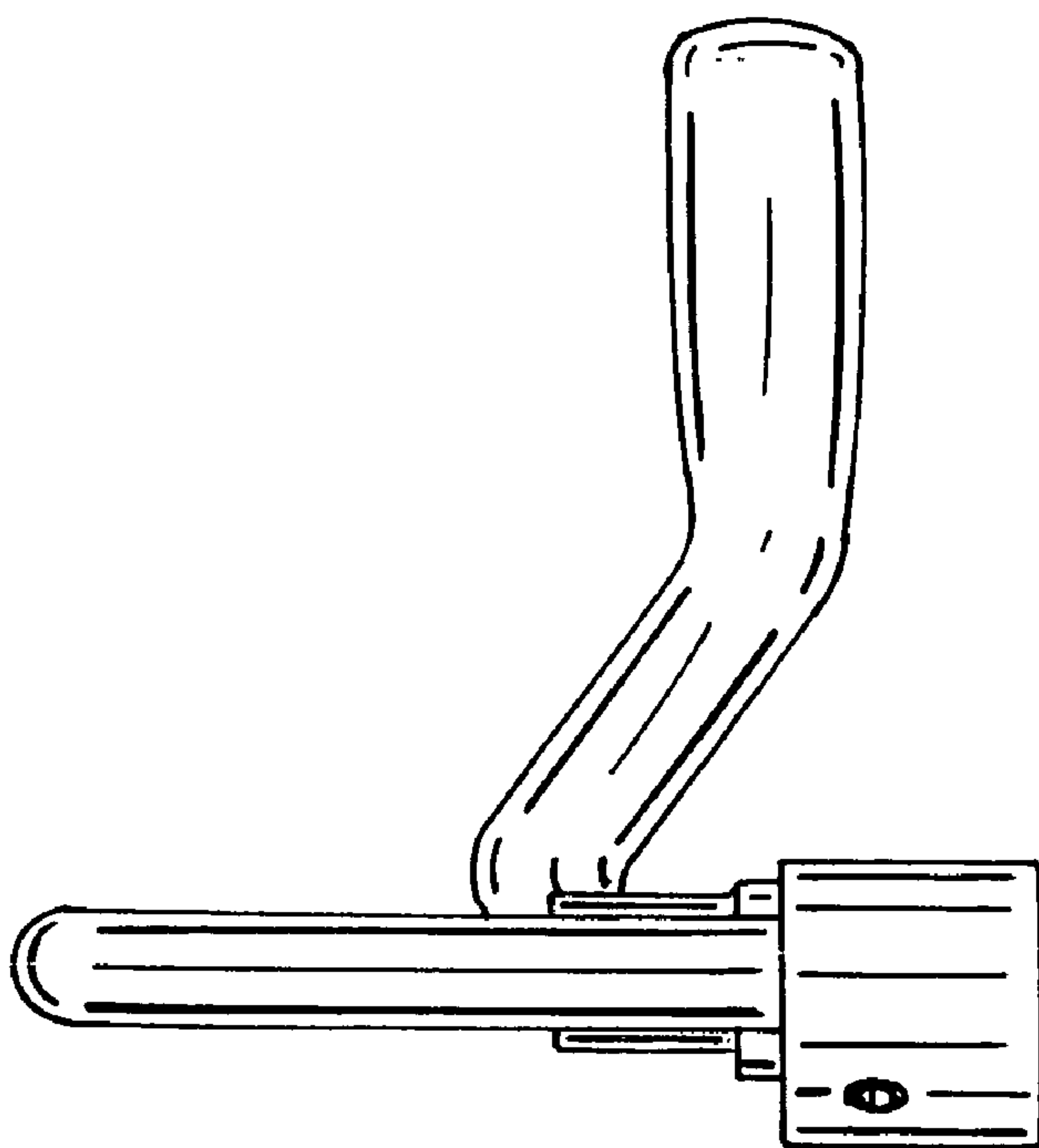


FIG. 7



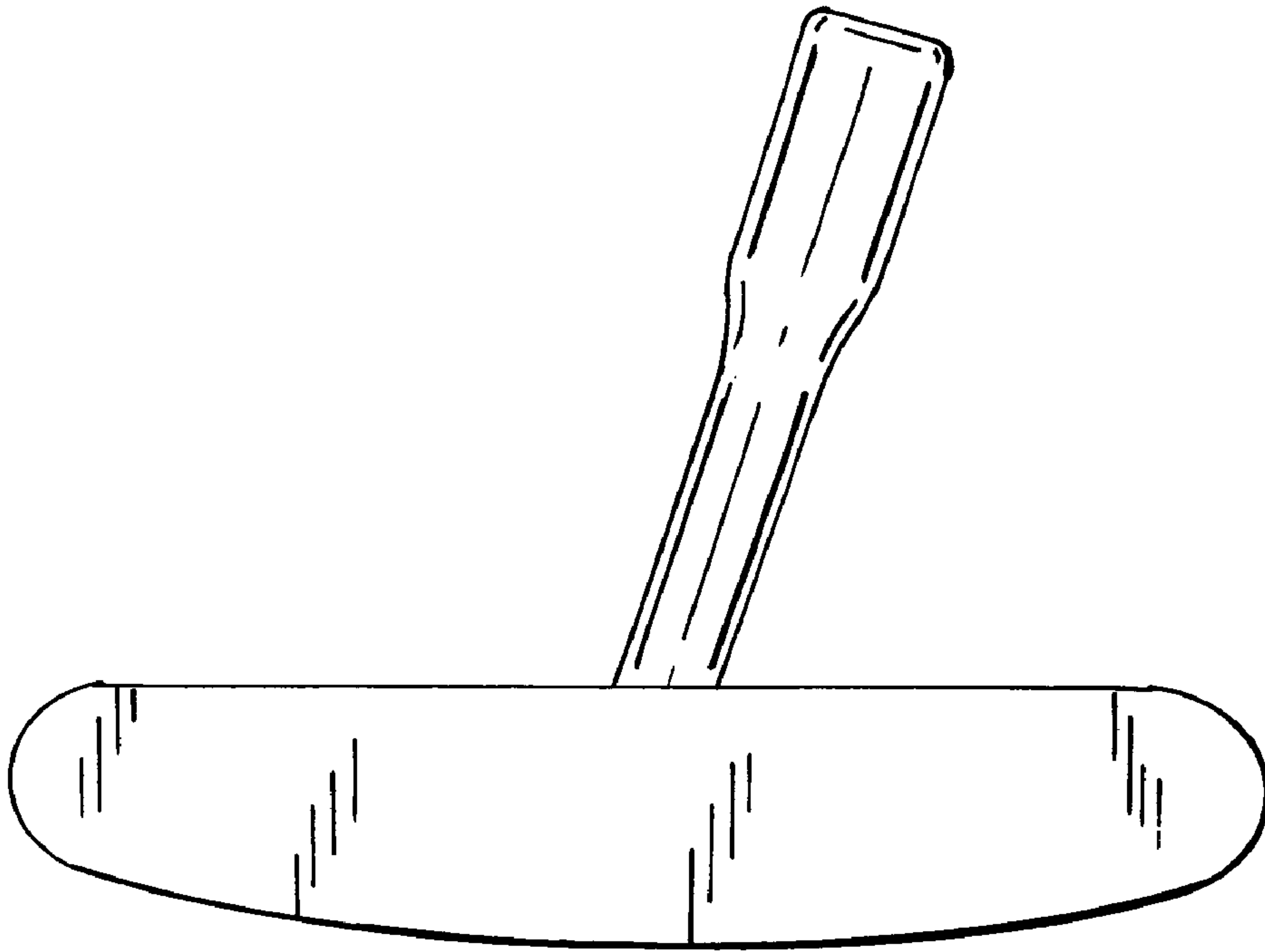


FIG. 8

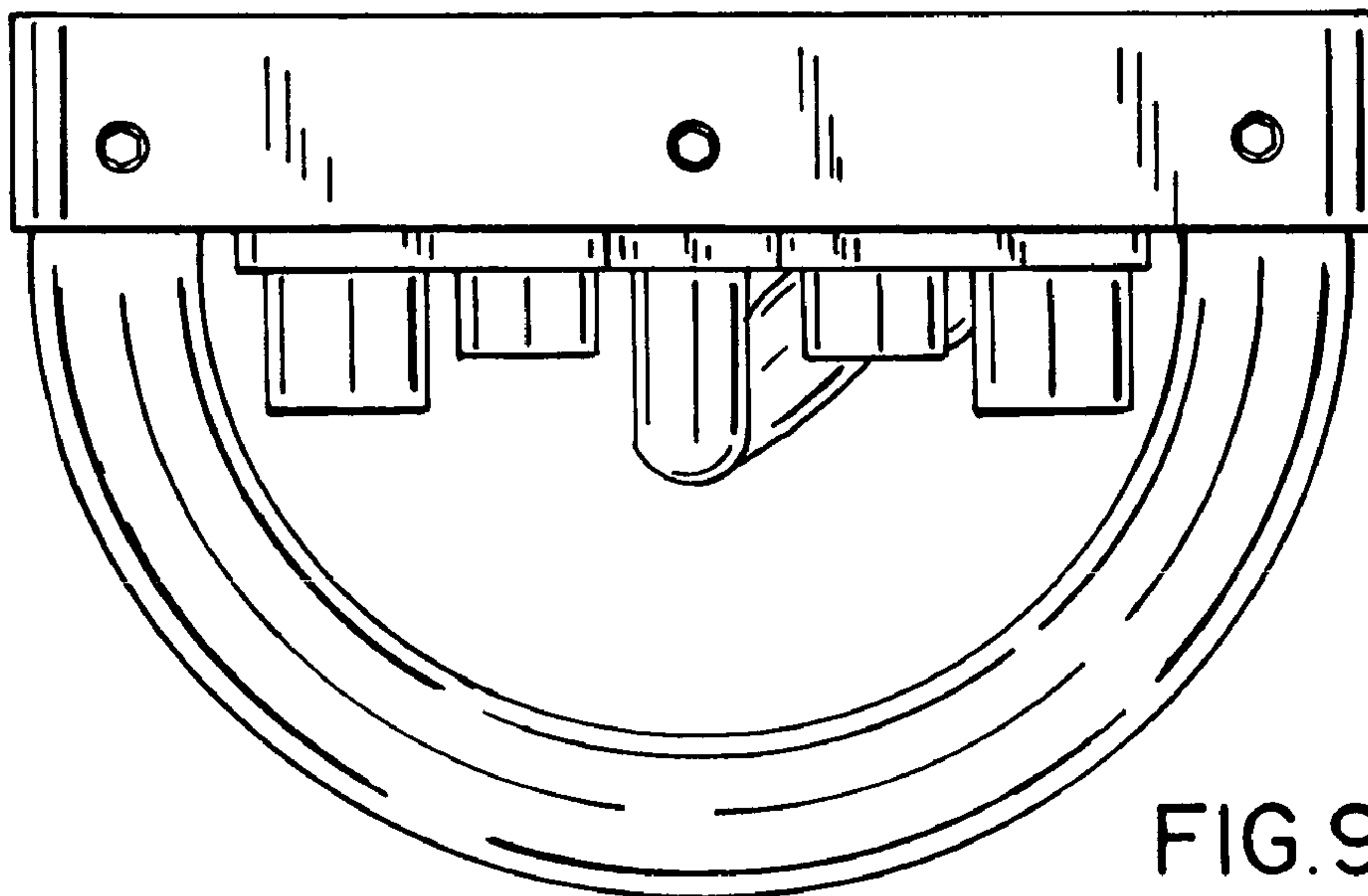


FIG. 9