



US00D565677S

(12) **United States Design Patent**
Cameron

(10) **Patent No.:** **US D565,677 S**

(45) **Date of Patent:** **** Apr. 1, 2008**

(54) **PUTTER HEAD**

D483,823 S * 12/2003 Swist D21/736
D531,241 S * 10/2006 Hueber D21/742

(75) Inventor: **Don T. Cameron**, Carlsbad, CA (US)

* cited by examiner

(73) Assignee: **Acushnet Company**, Fairhaven, MA (US)

Primary Examiner—Mitchell Siegel

(74) *Attorney, Agent, or Firm*—Kristin D. Wheeler

(**) Term: **14 Years**

(57) **CLAIM**

(21) Appl. No.: **29/269,884**

The ornamental design for a putter head, as shown and described.

(22) Filed: **Dec. 11, 2006**

(51) **LOC (8) Cl.** **21-02**

(52) **U.S. Cl.** **D21/736**

(58) **Field of Classification Search** D21/736-746;
473/324-331, 340-341, 251-256

See application file for complete search history.

DESCRIPTION

(56) **References Cited**

U.S. PATENT DOCUMENTS

- D394,689 S * 5/1998 Sheets D21/743
- D402,344 S 12/1998 Cleveland et al.
- D410,054 S 5/1999 Yu
- D412,194 S 7/1999 Drossos
- D435,275 S * 12/2000 Sizemore, Jr. D21/736
- D447,198 S 8/2001 Shaw
- D459,423 S * 6/2002 Long D21/744

FIG. 1 is a top perspective view of my new design for a putter head.

FIG. 2 is a top view thereof;

FIG. 3 is a back view thereof;

FIG. 4 is a bottom view thereof;

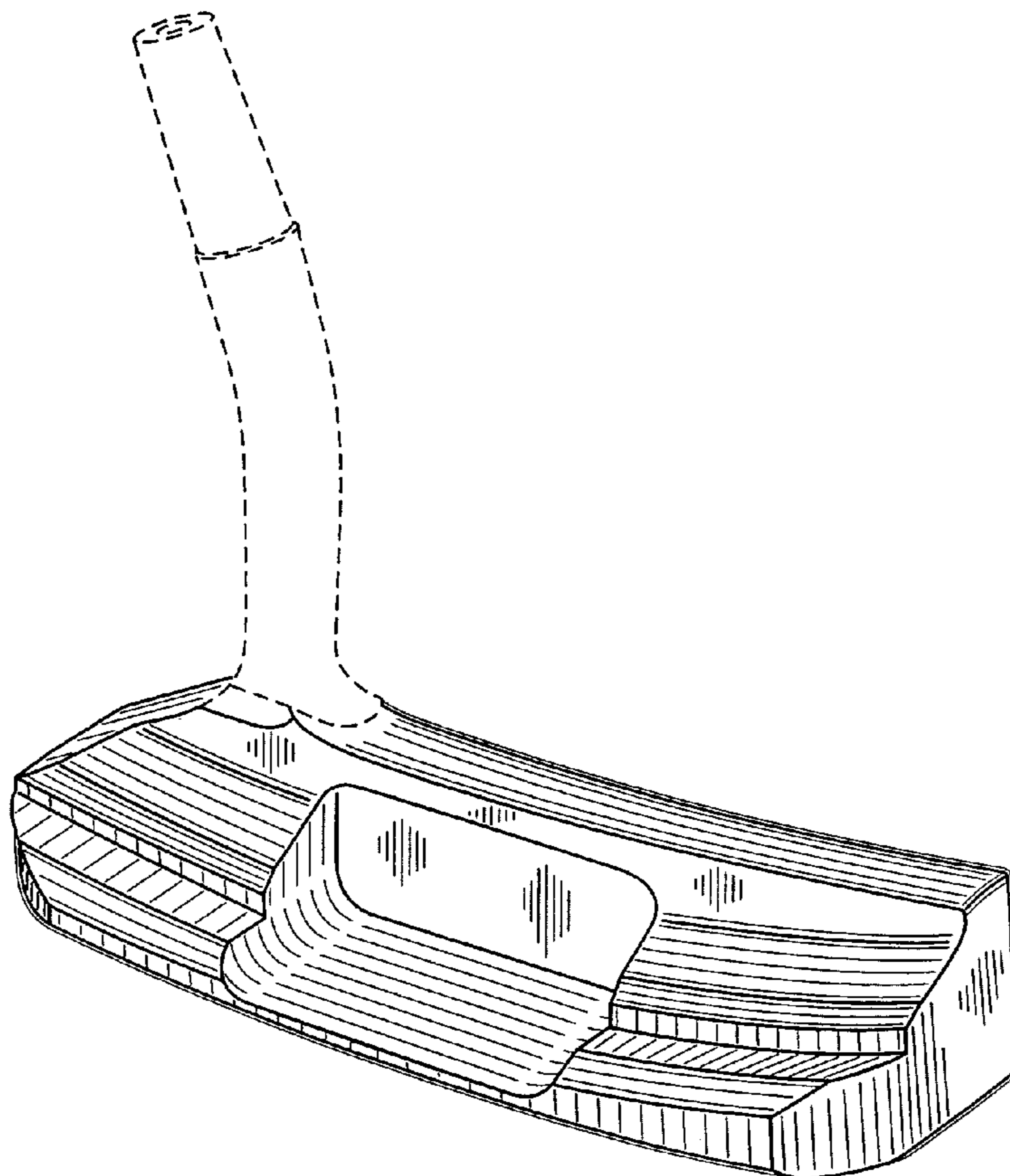
FIG. 5 is a front view thereof;

FIG. 6 is a heel side view thereof; and,

FIG. 7 is a toe side view thereof.

The portion of the club head shown in phantom does not form any portion of the present invention.

1 Claim, 3 Drawing Sheets



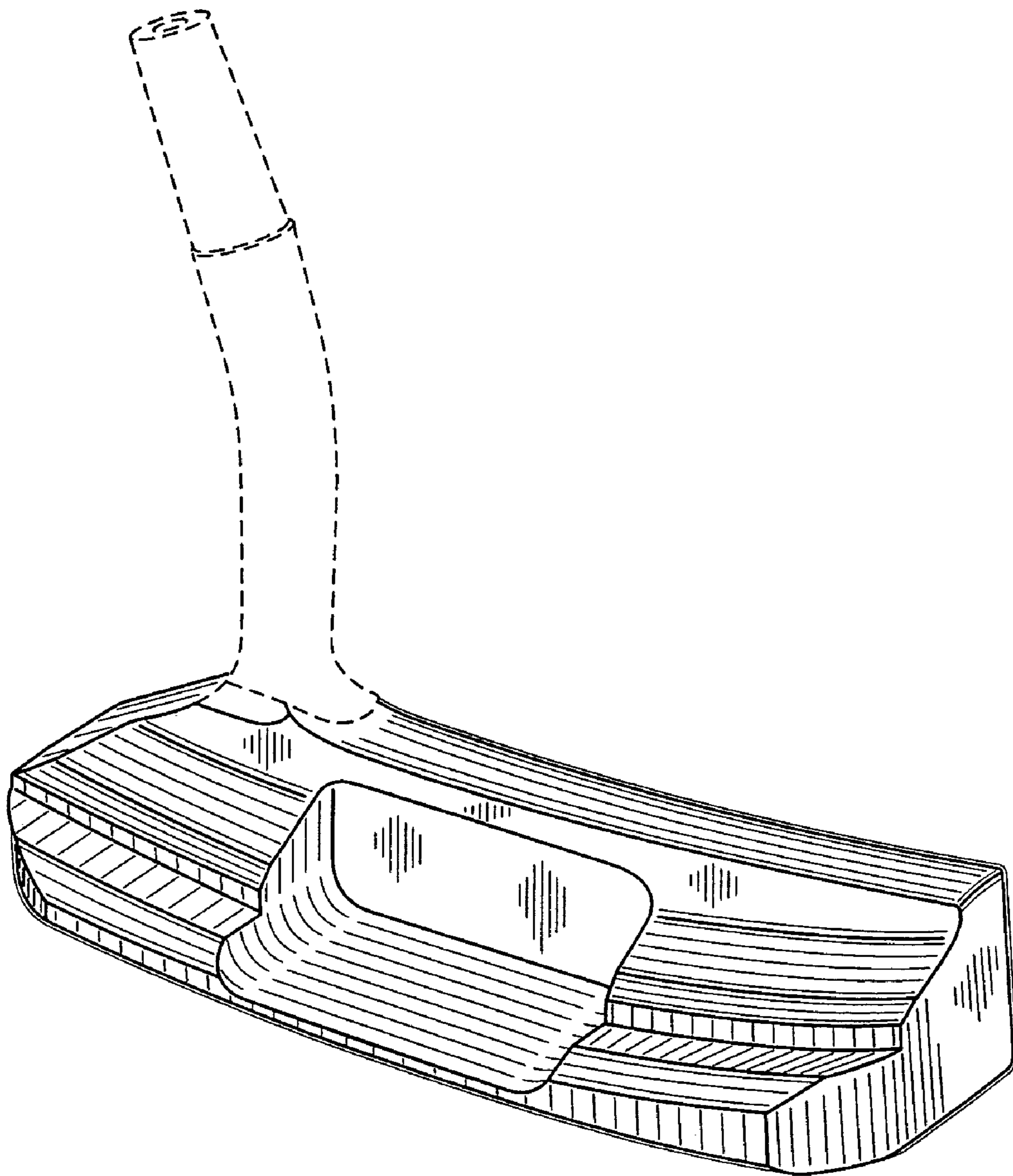


FIG. 1

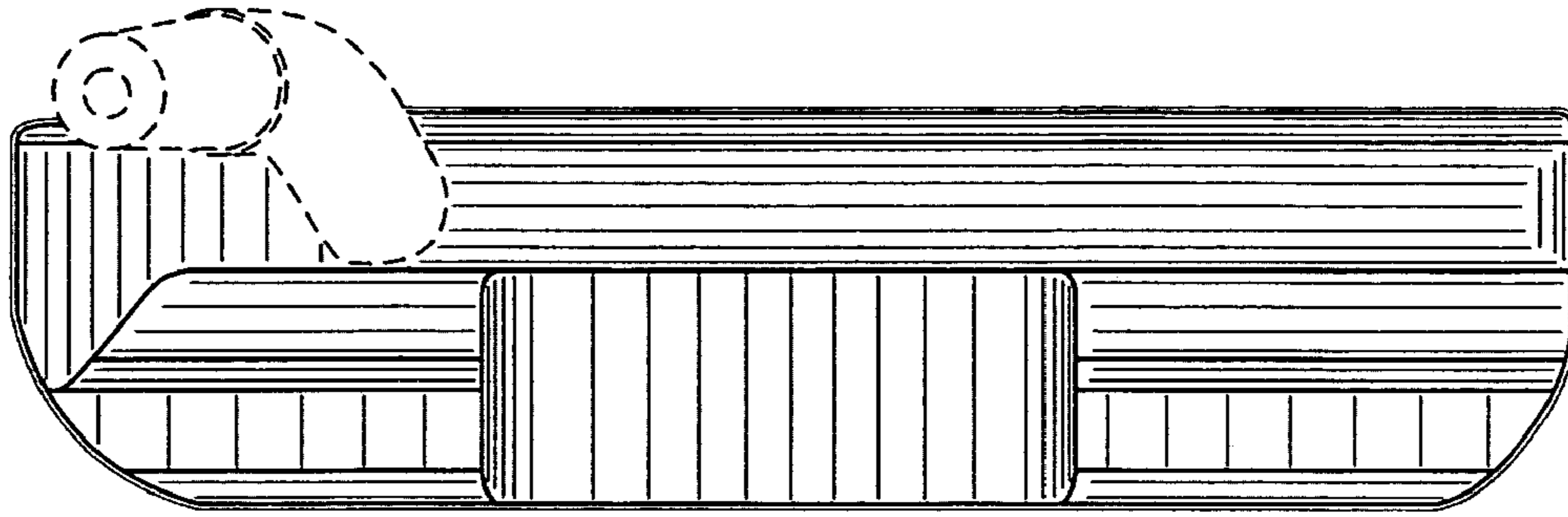


FIG. 2

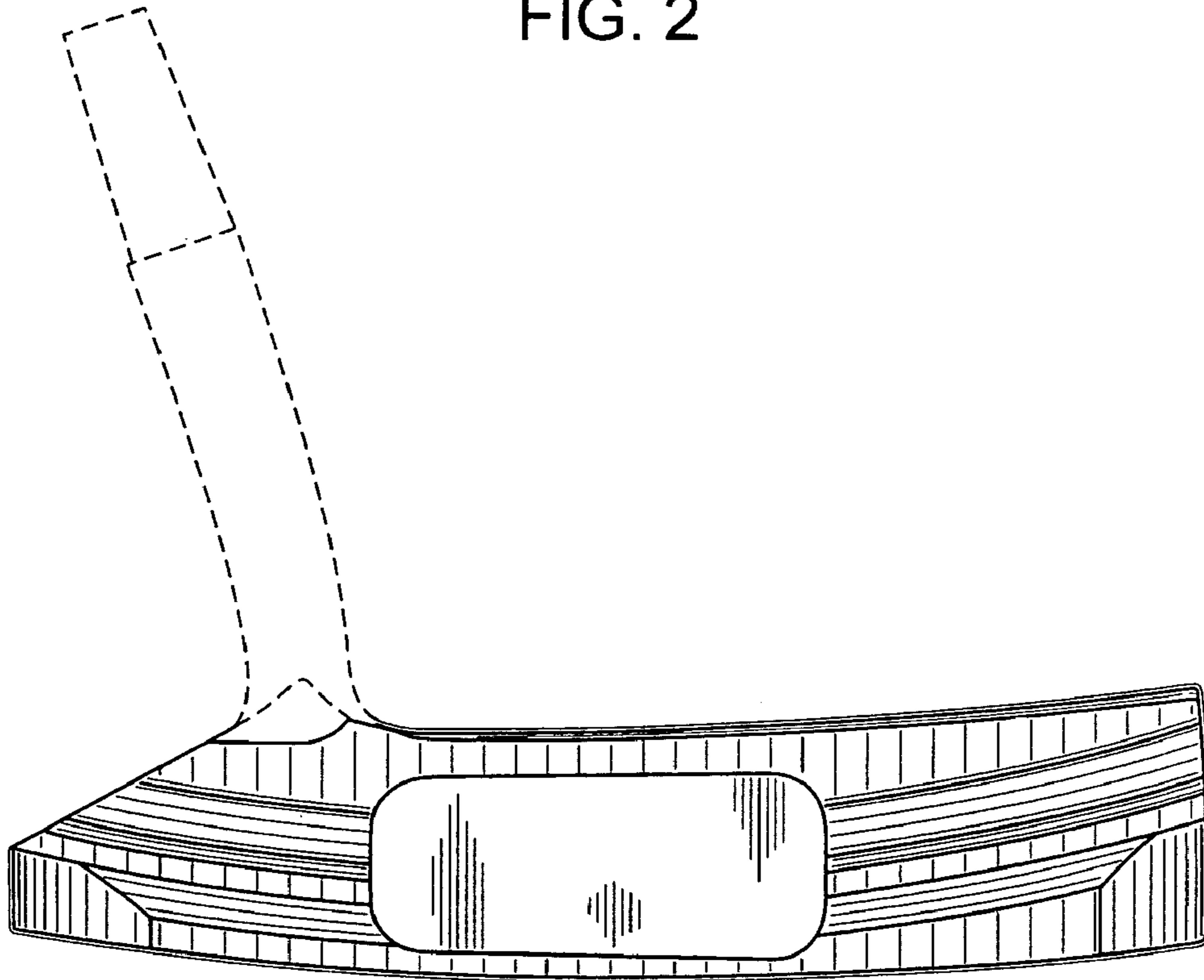


FIG. 3

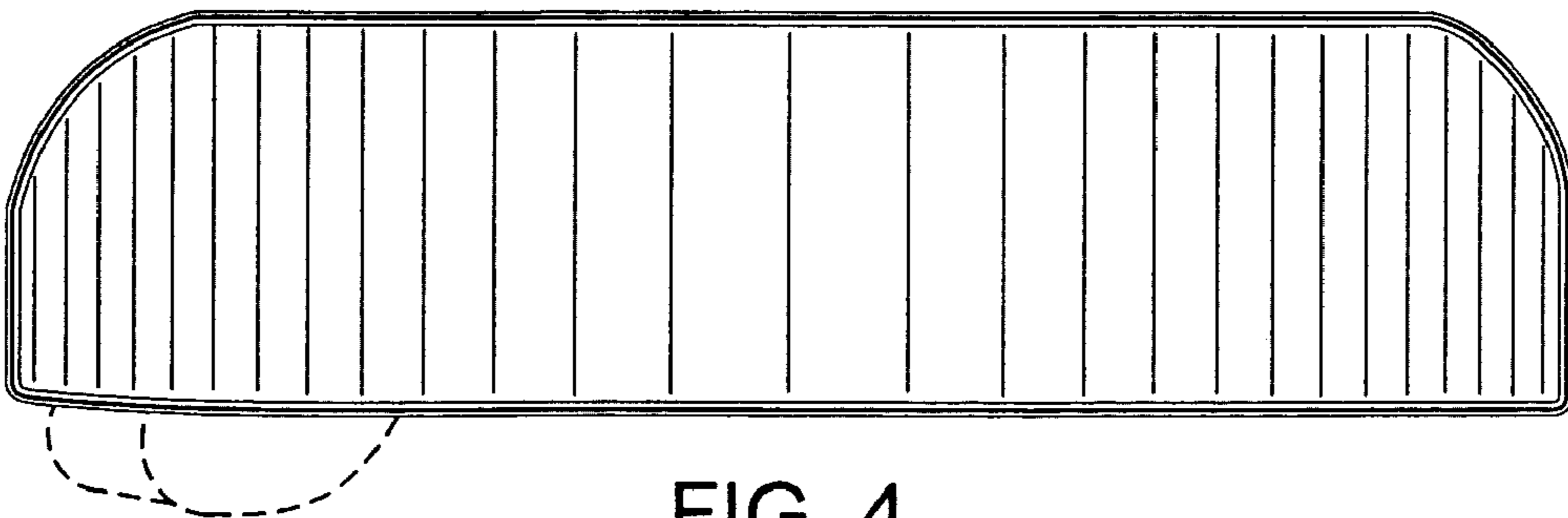


FIG. 4

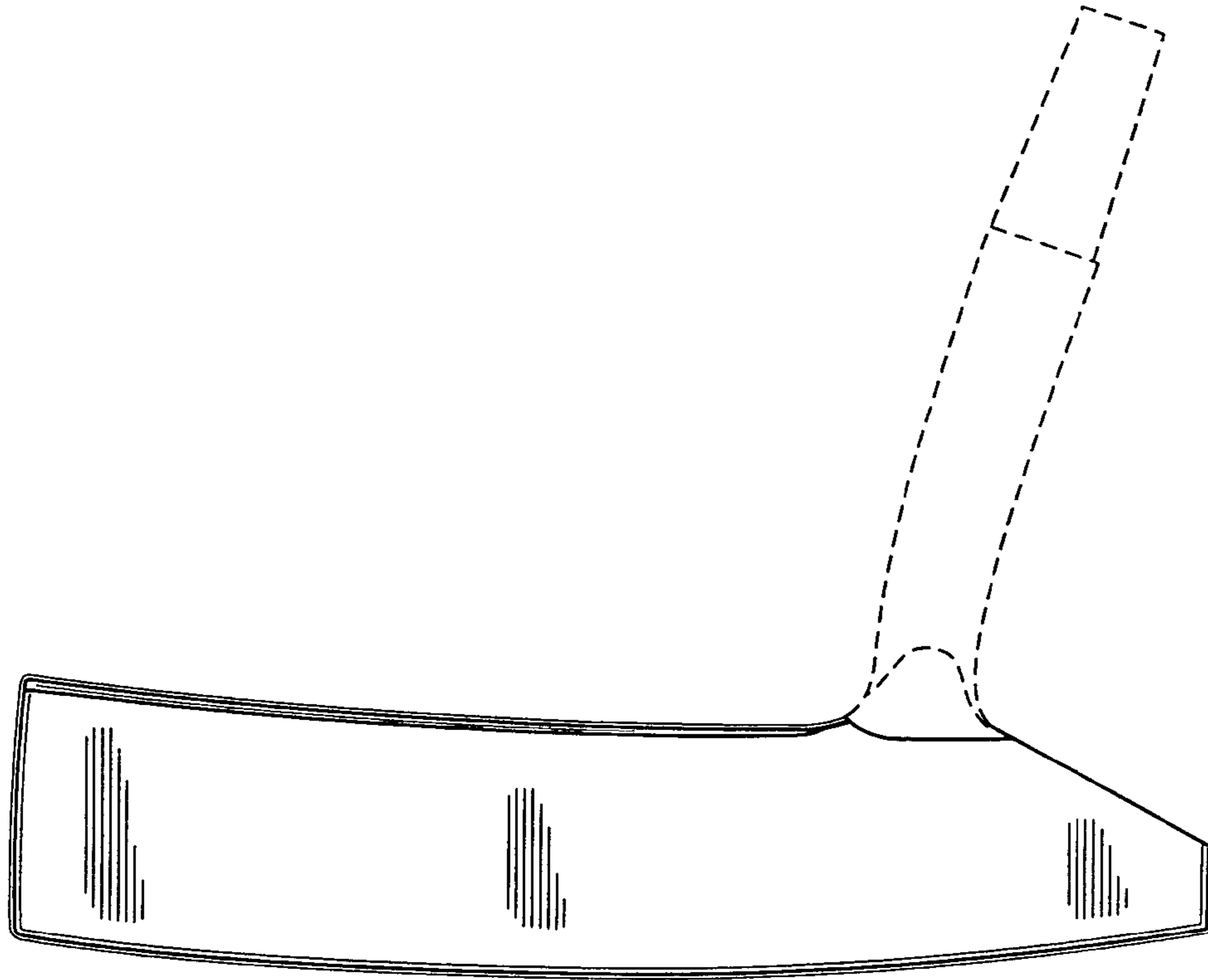


FIG. 5

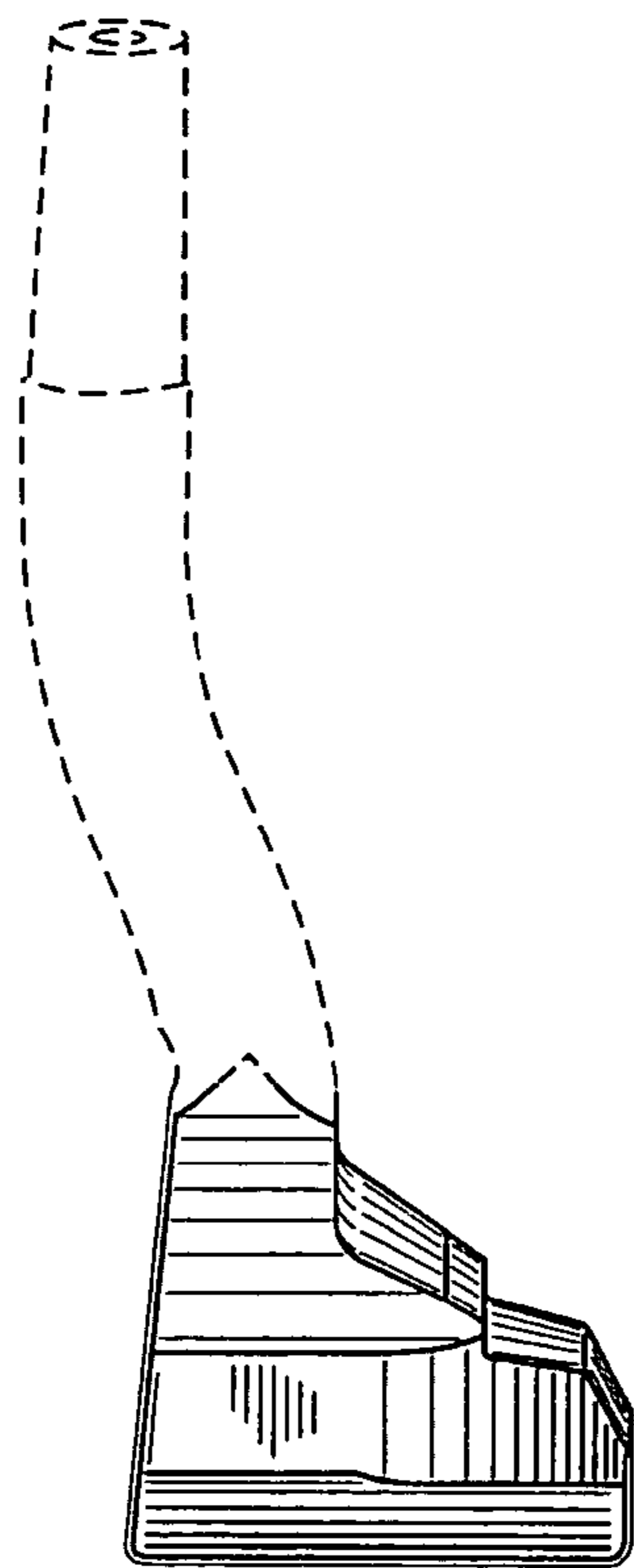


FIG. 6

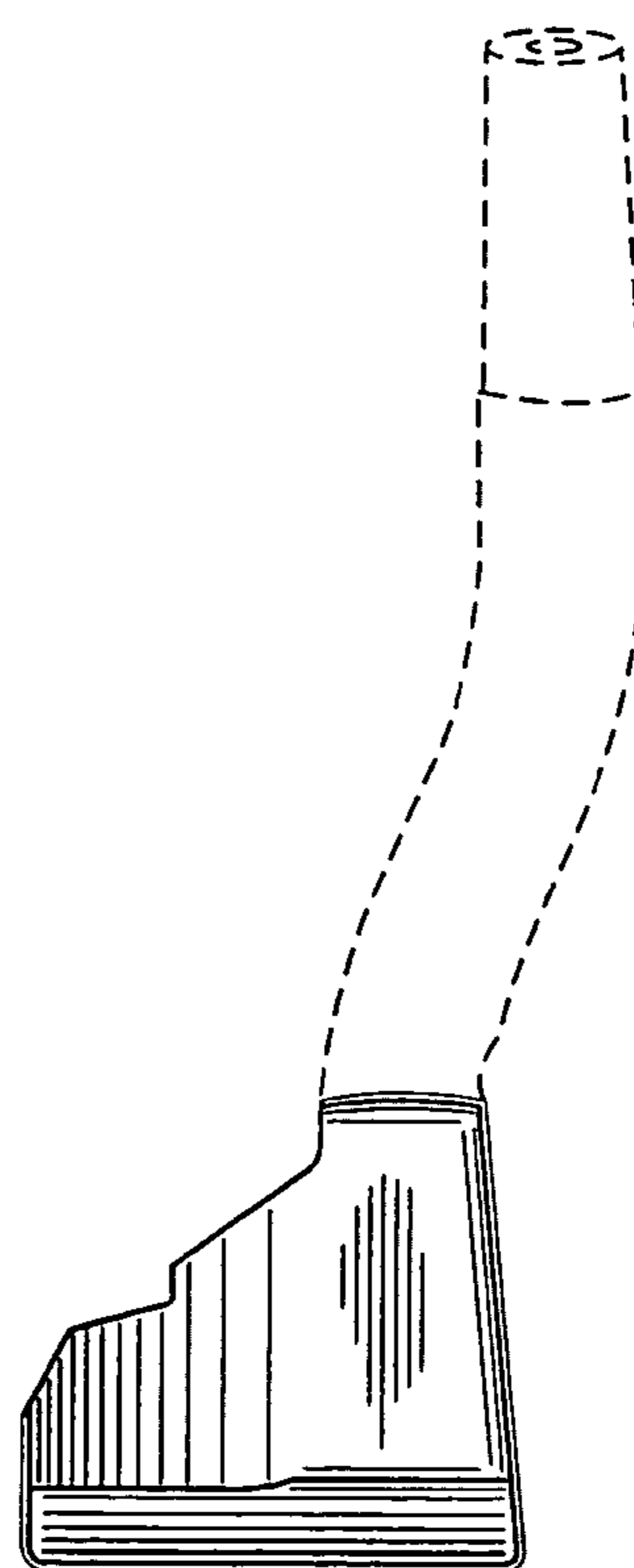


FIG. 7