



US00D565673S

(12) **United States Design Patent**
Lien et al.

(10) **Patent No.: US D565,673 S**

(45) **Date of Patent: ** Apr. 1, 2008**

(54) **DUMBBELL RACK**

(75) Inventors: **Louis Lien**, Houston, TX (US);
Brandon Plumlee, Houston, TX (US)

(73) Assignee: **USA Sports, Inc.**, Houston, TX (US)

(**) Term: **14 Years**

(21) Appl. No.: **29/275,335**

(22) Filed: **Dec. 21, 2006**

(51) **LOC (8) Cl.** **21-02**

(52) **U.S. Cl.** **D21/686; D6/552**

(58) **Field of Classification Search** D21/662,
D21/686, 691; D6/552; 482/104; 248/339
See application file for complete search history.

(56) **References Cited**

U.S. PATENT DOCUMENTS

D329,563	S	*	9/1992	Rasmussen	D6/552
D362,776	S	*	10/1995	Thorn	D6/552
D364,063	S	*	11/1995	Lo	D6/552
6,014,078	A	*	1/2000	Rojas et al.	340/568.6
D424,141	S	*	5/2000	Eckmann	D21/686
D455,310	S	*	4/2002	Webber	D6/552
D469,293	S	*	1/2003	Harms	D6/552
D469,294	S	*	1/2003	Harms et al.	D6/552
D492,742	S	*	7/2004	Harms et al.	D21/684
6,896,644	B1	*	5/2005	Voigt	482/104
D506,516	S	*	6/2005	Yang	D21/694
D528,612	S	*	9/2006	Black	D21/686
2005/0233872	A1	*	10/2005	Harms	482/104

OTHER PUBLICATIONS

10 Pair Dumbbell Rack. Downloaded Oct. 11, 2007 at <http://www.troybarbell.com/store.php?crn=224&rn=451>
&action=show_detail.*

Dumbbell Rack—49", Two Tier Dumbbell Rack with Stirrups. Downloaded Oct. 11, 2007 at <http://www.amazon.com/Dumbbell-Rack-Tier-Dumbbell-Stirrups/dp/B000A6QHYW>.*

4' Dumbbell Rack. Downloaded Oct. 11, 2007 at http://www.rogersathletic.com/strength_training/storage/storage.asp?pid=288.*

Powertec Dumbbell Rack. Downloaded Oct. 11, 2007 at <http://www.fit-1.com/fitness-equipment/item/pt-pdr/Powertec-Dumbbell-Rack.html>.*

* cited by examiner

Primary Examiner—Philip S. Hyder

Assistant Examiner—RoseLynne (Ulm) Cody

(74) *Attorney, Agent, or Firm*—Nick A. Nichols, Jr.

(57) **CLAIM**

The ornamental design for a dumbbell rack, as shown and described.

DESCRIPTION

FIG. 1 is a perspective view of a dumbbell rack showing our new design;

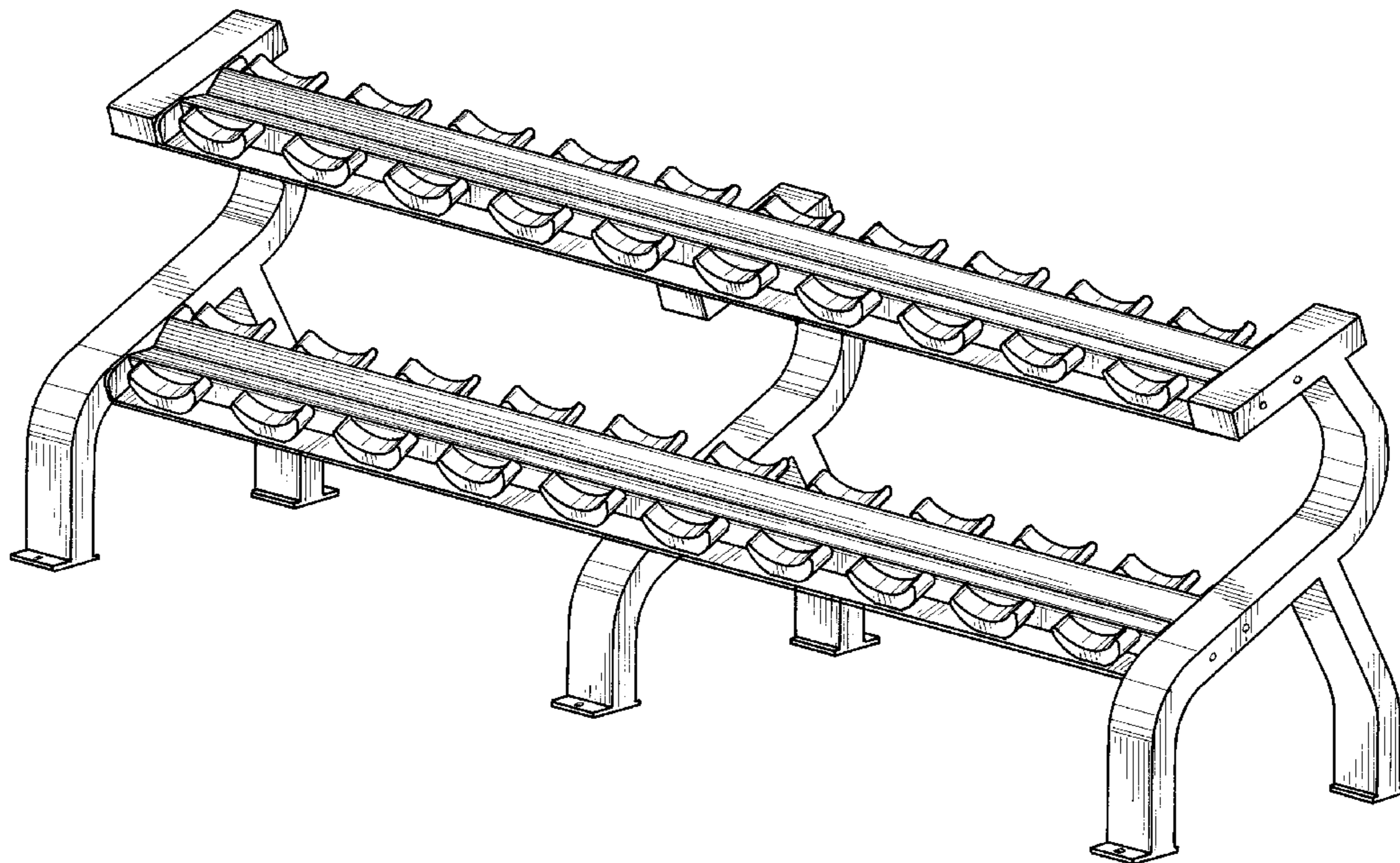
FIG. 2 is a front view thereof;

FIG. 3 is a top view thereof;

FIG. 4 is an end view thereof, the opposite side being a mirror image; and,

FIG. 5 is a section view taken along line 5—5 of FIG. 2.

1 Claim, 4 Drawing Sheets



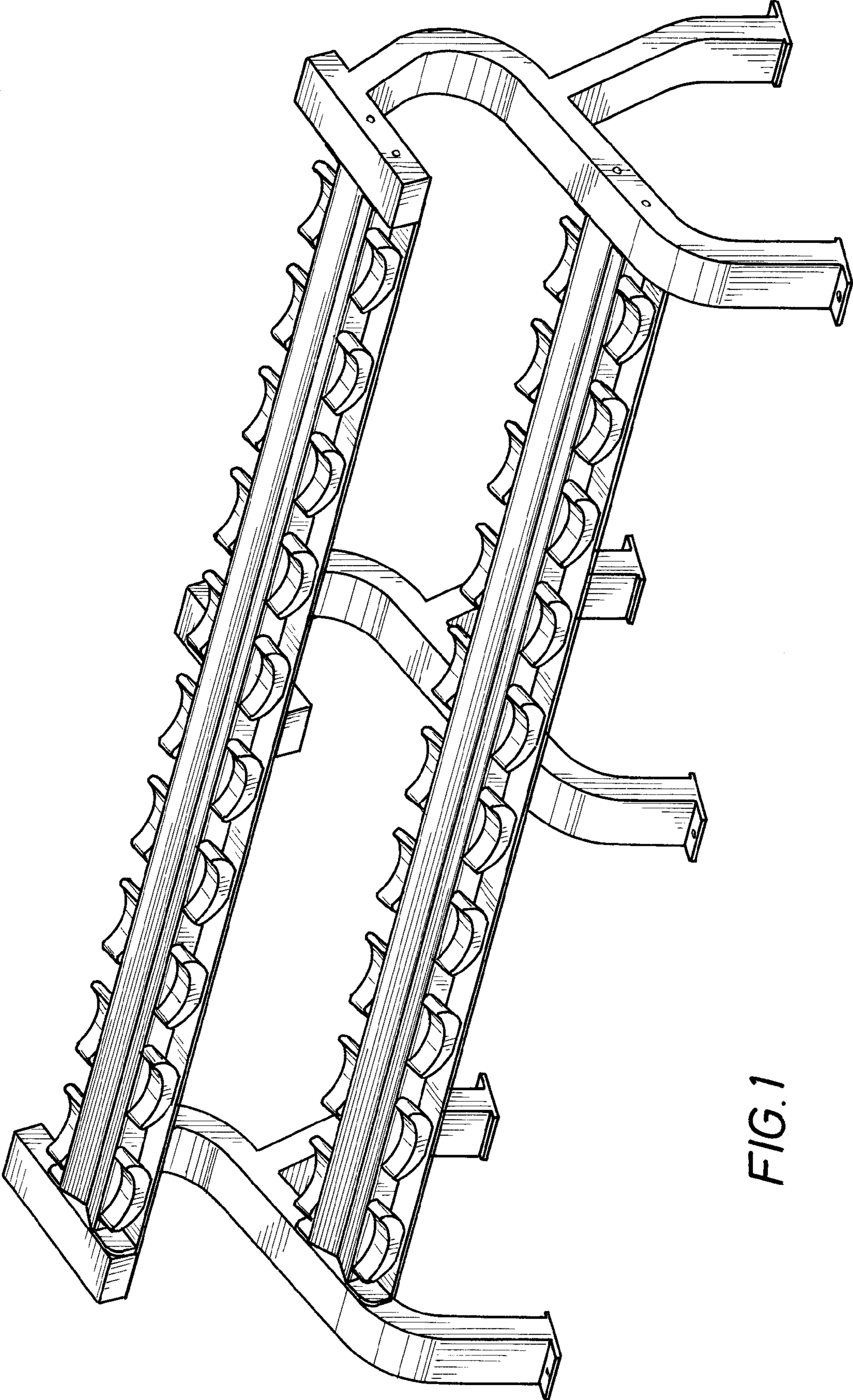


FIG. 1

FIG. 2

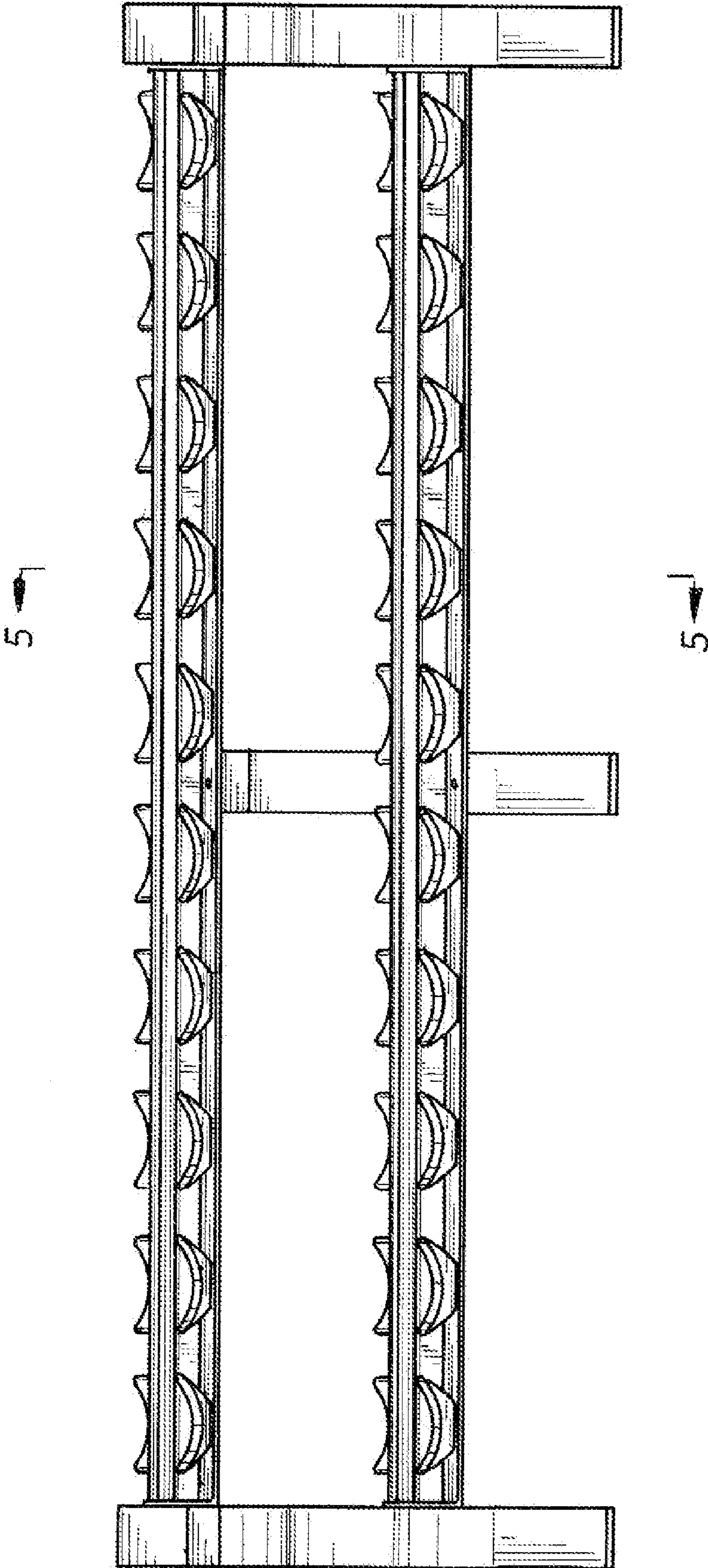


FIG. 3

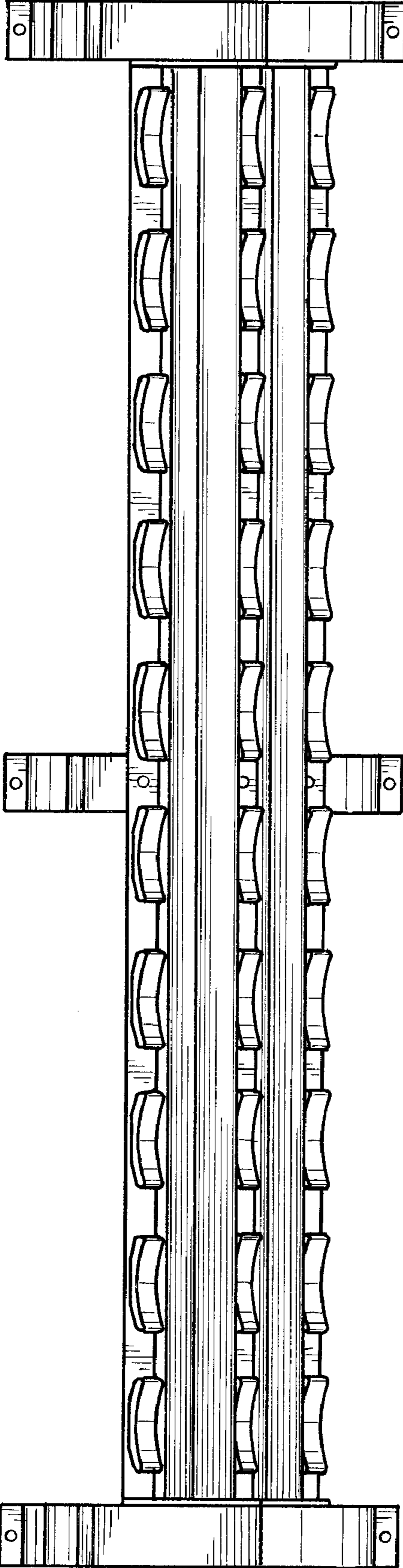


FIG. 4

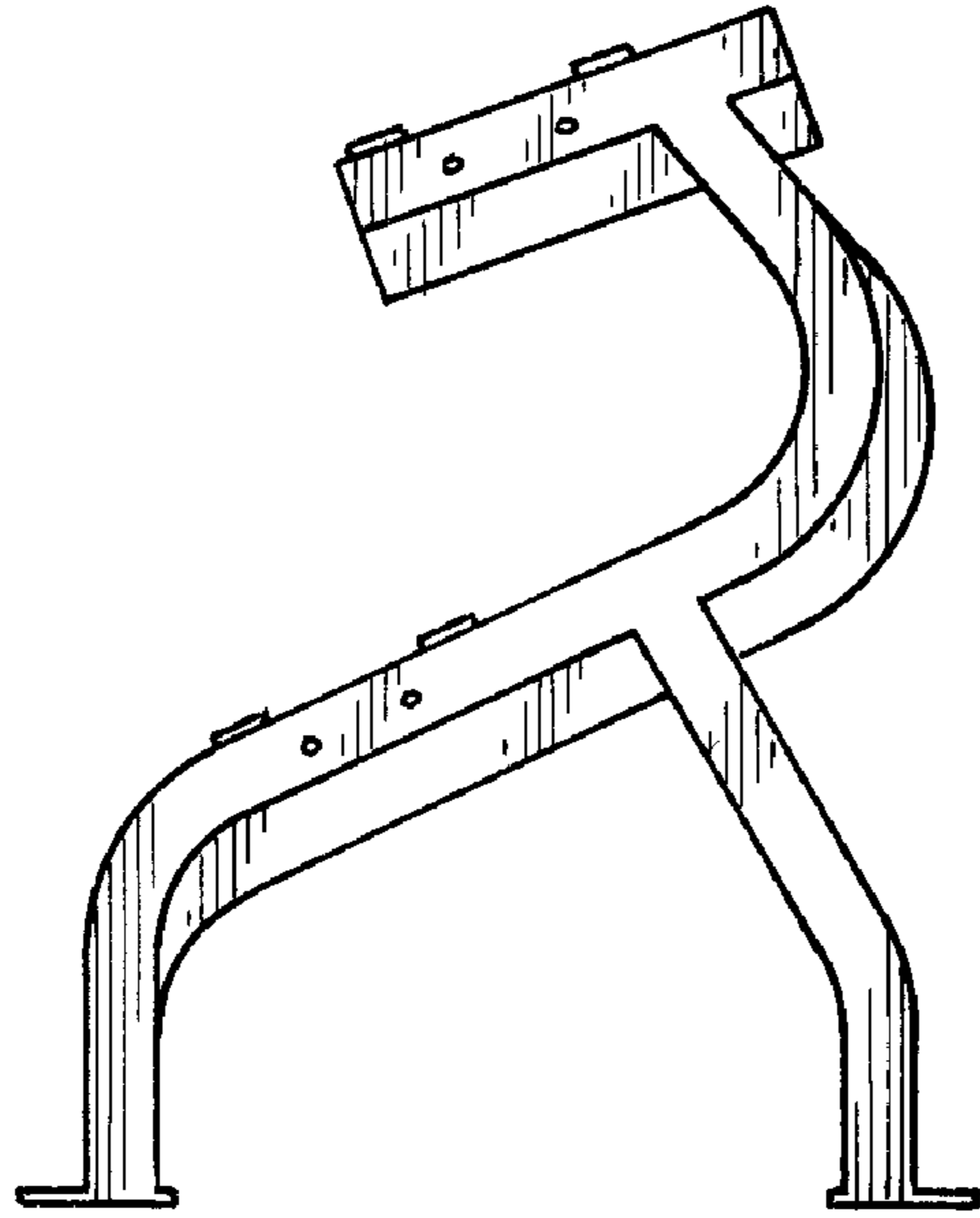


FIG. 5

