



US00D565672S

(12) **United States Design Patent**
Sapir

(10) **Patent No.:** **US D565,672 S**

(45) **Date of Patent:** **** Apr. 1, 2008**

(54) **PROPULSION DEVICE BODY**

(75) Inventor: **David Sapir**, Plymouth, MA (US)

(73) Assignee: **Sapir LLC**, Plymouth, MA (US)

(**) Term: **14 Years**

(21) Appl. No.: **29/267,564**

(22) Filed: **Oct. 17, 2006**

(51) **LOC (8) Cl.** **21-01**

(52) **U.S. Cl.** **D21/570**

(58) **Field of Classification Search** D21/567-575,
D21/597, 599, 657; D22/103, 105; 446/267,
446/473, 175; 222/78-79; 239/211, 237,
239/329, 373; 124/6, 16, 26-28, 31, 41.1,
124/55-56, 63-67, 73-75, 80; D23/223,
D23/224, 226

See application file for complete search history.

(56) **References Cited**

U.S. PATENT DOCUMENTS

- D197,570 S * 2/1964 Eadris D21/461
- D302,848 S * 8/1989 Kao D23/226
- D370,713 S * 6/1996 Guo D23/223
- D463,509 S * 9/2002 Huang D21/572

- D479,306 S * 9/2003 Chen D23/226
- D527,057 S * 8/2006 Poon D21/572

* cited by examiner

Primary Examiner—Holly H. Baynham

Assistant Examiner—Cynthia M. Chin

(74) *Attorney, Agent, or Firm*—Wolf Greenfield & Sacks

(57) **CLAIM**

The ornamental design for a propulsion device body, as shown and described.

DESCRIPTION

FIG. 1 is a top view of the propulsion device body;

FIG. 2 is a bottom view thereof;

FIG. 3 is a front view thereof;

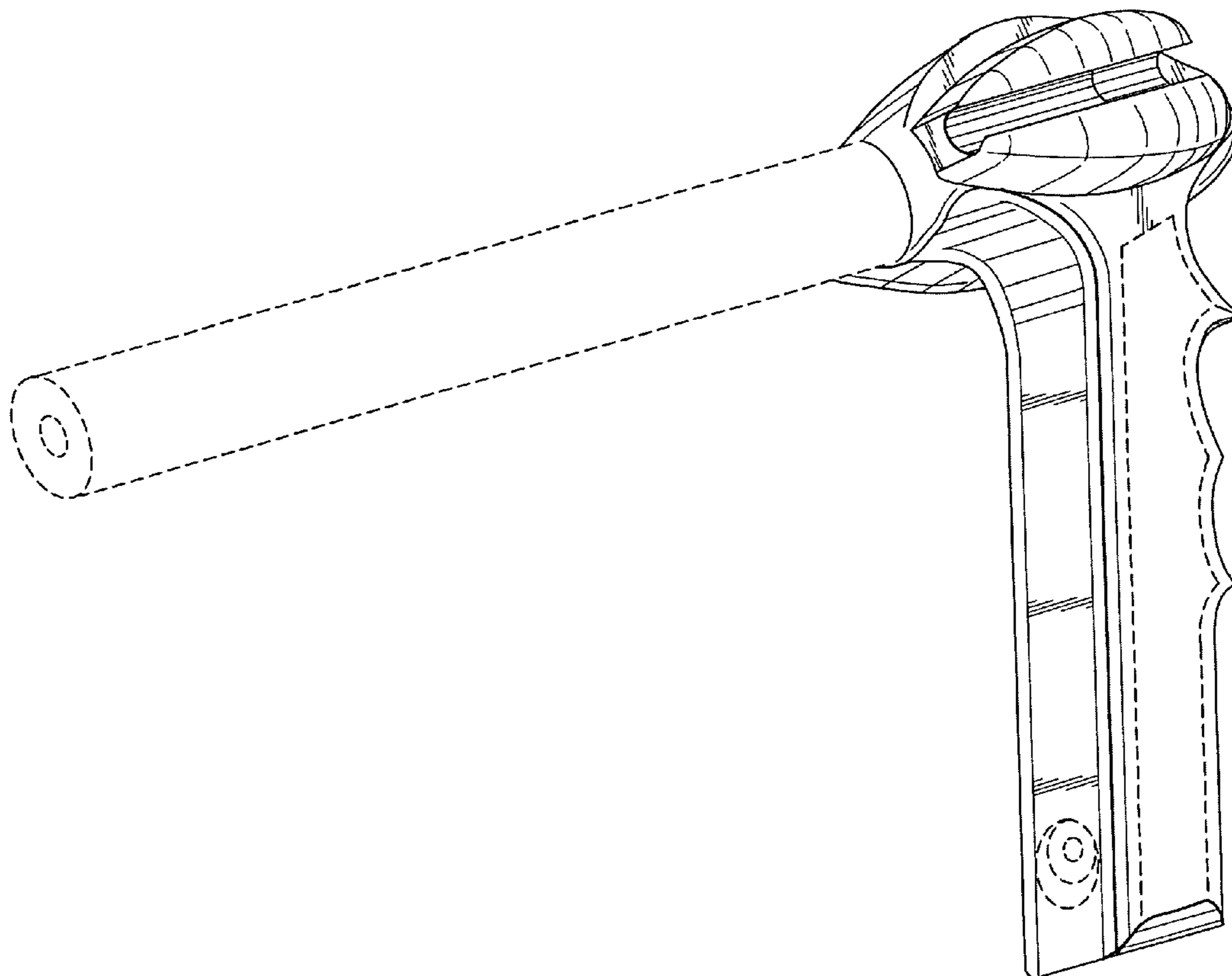
FIG. 4 is a rear view thereof;

FIG. 5 is a right side view thereof, the left side view being a mirror image thereof; and,

FIG. 6 is a side top perspective view of the propulsion device body.

The broken lines are for illustrative purposes only and form no part of the claimed design.

1 Claim, 5 Drawing Sheets



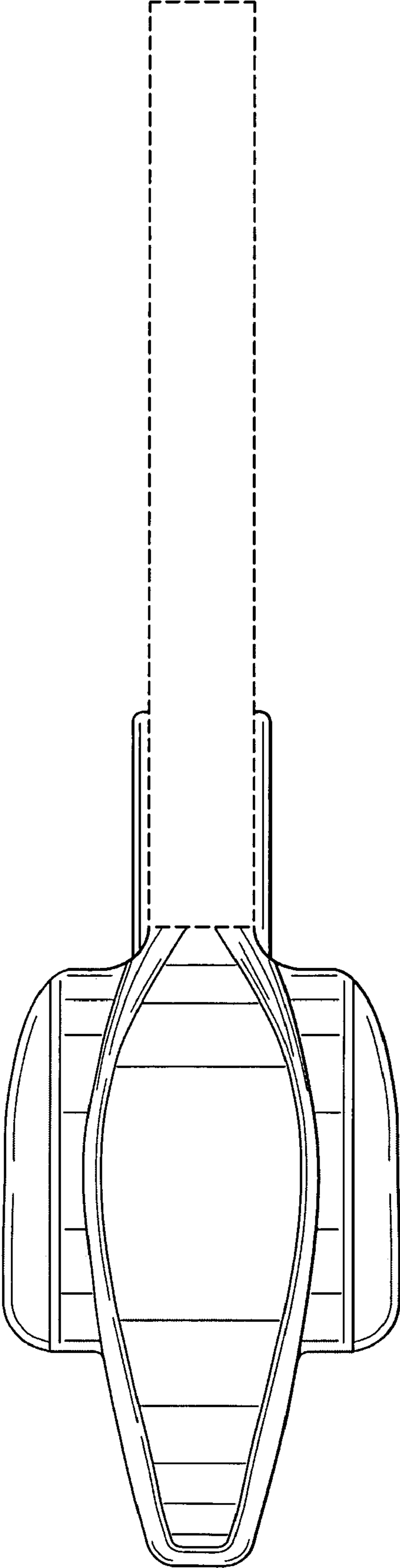


FIG. 1

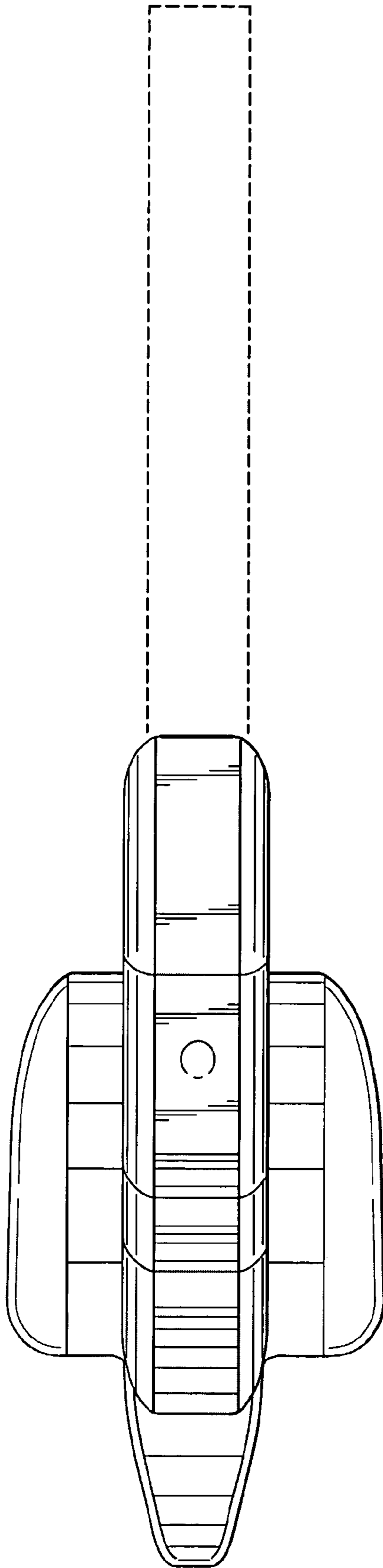


FIG. 2

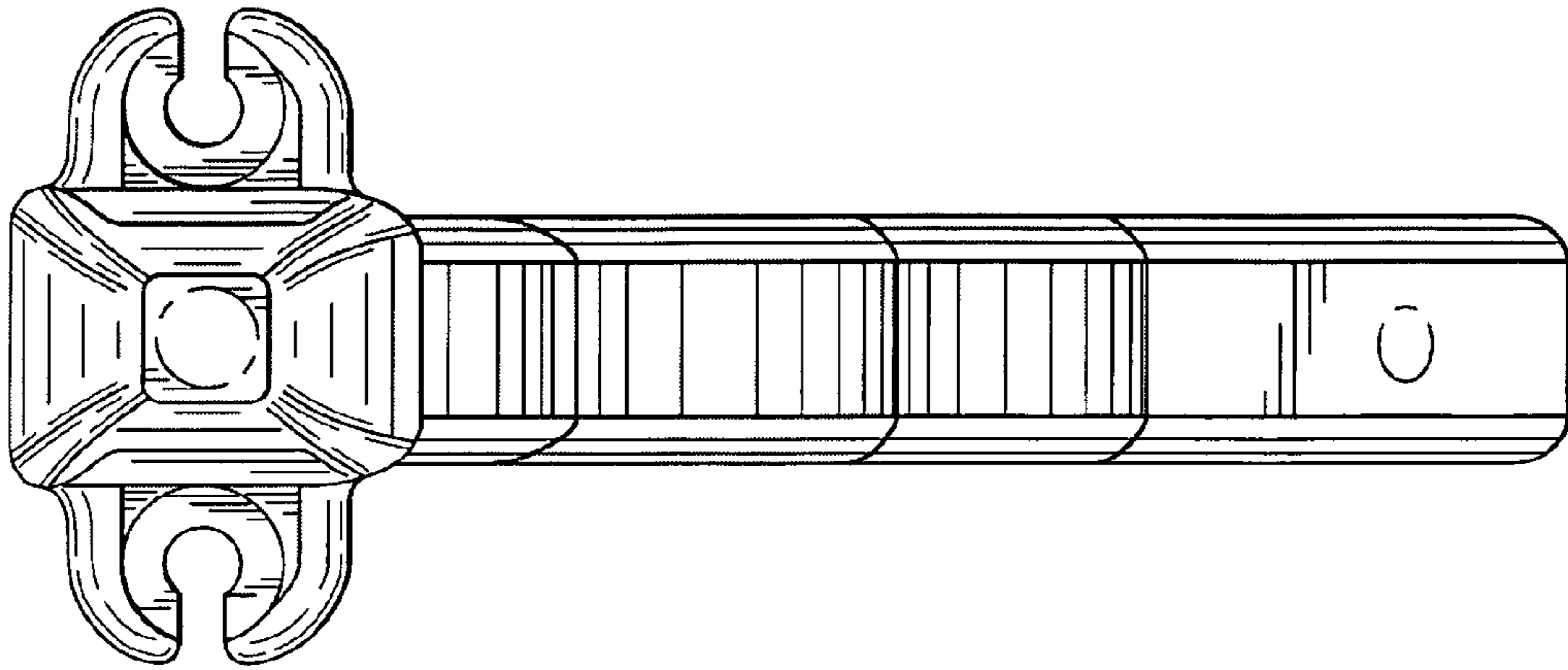


FIG. 4

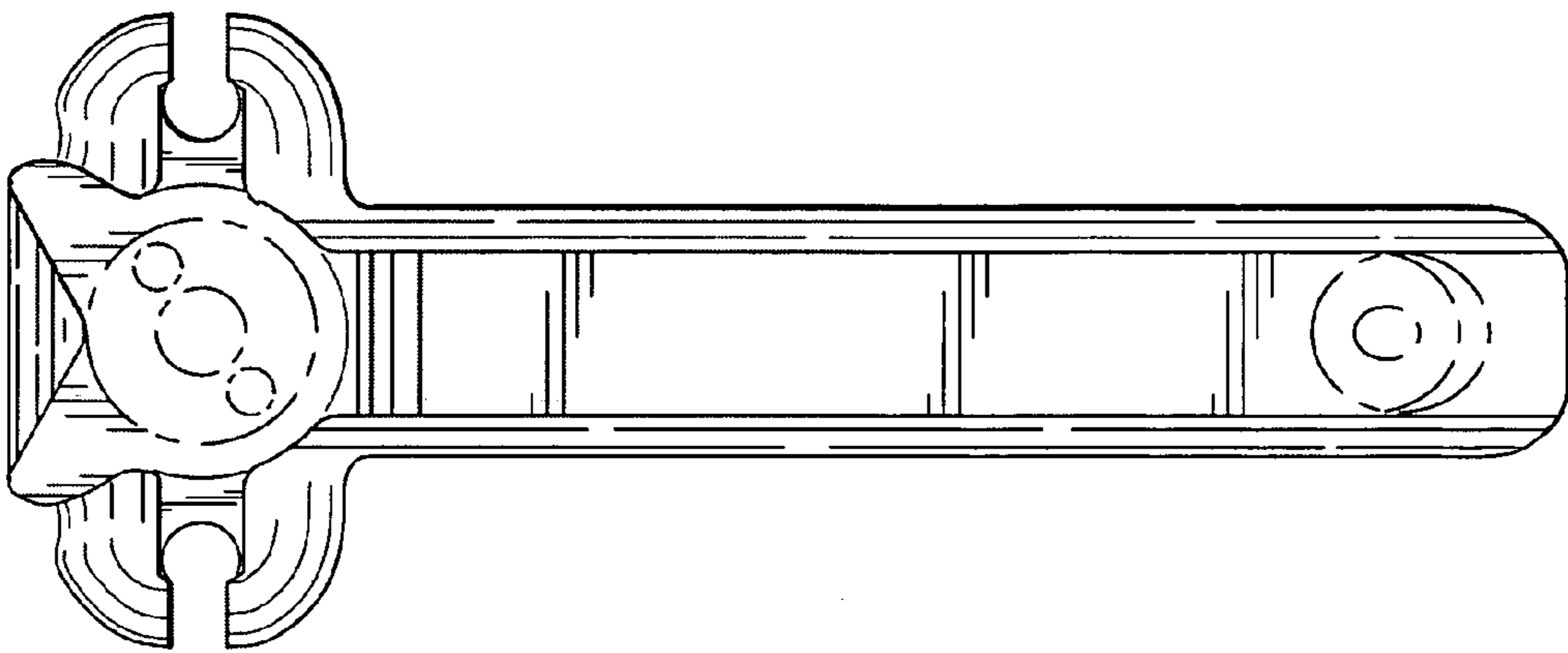


FIG. 3

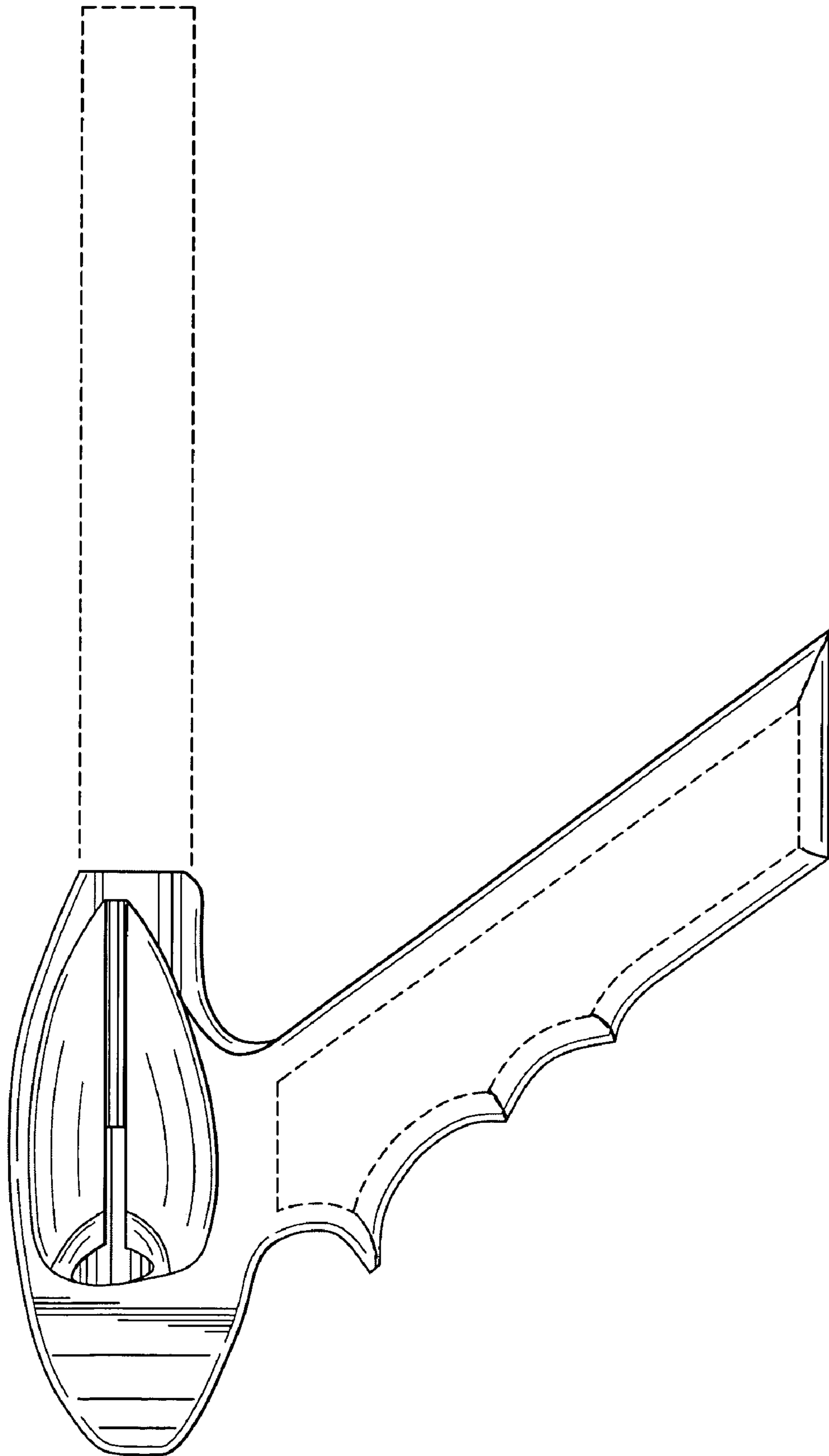


FIG. 5

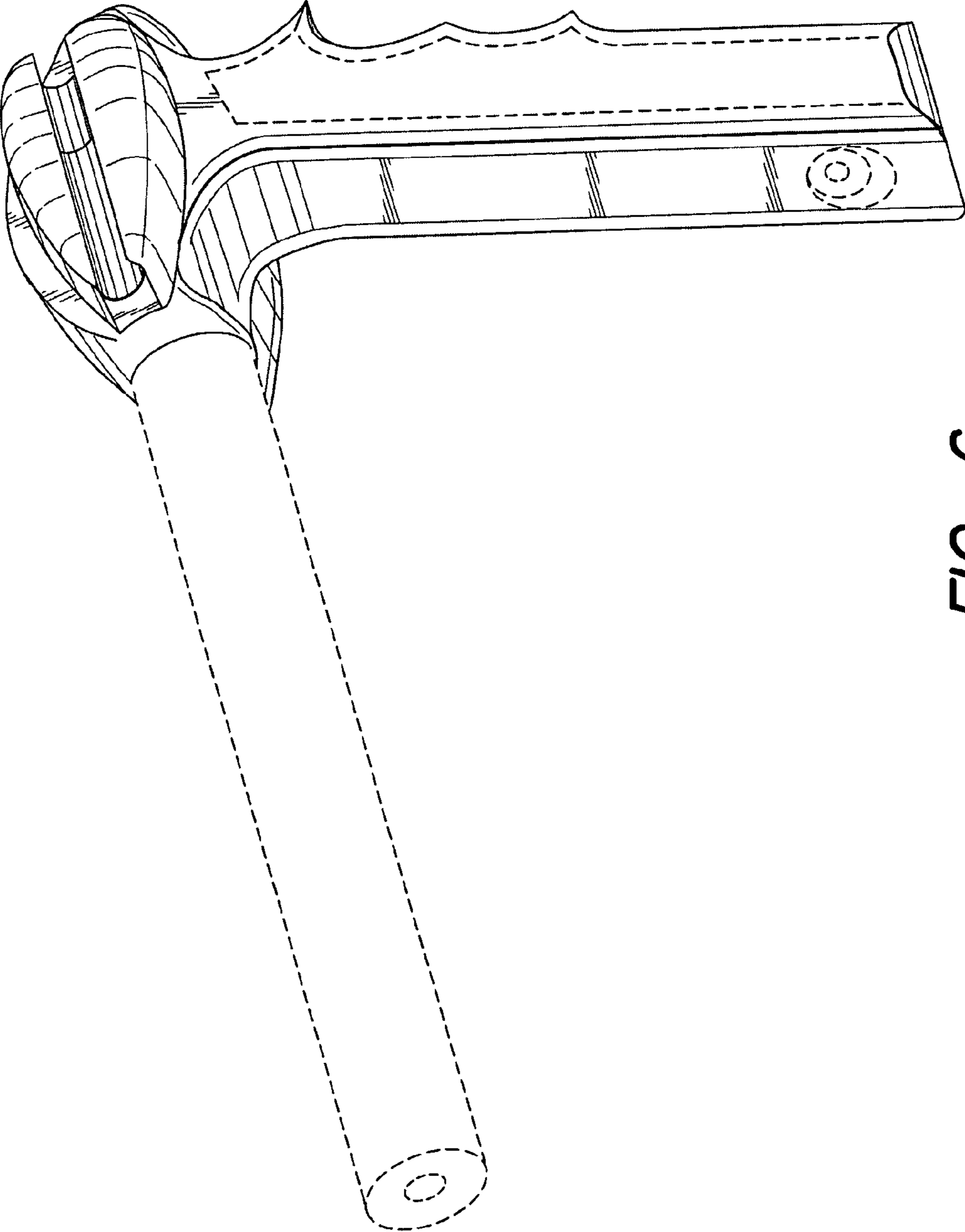


FIG. 6