

US00D565671S

(12) **United States Design Patent**  
**Glickman et al.**

(10) **Patent No.:** **US D565,671 S**  
(45) **Date of Patent:** **\*\* Apr. 1, 2008**

(54) **CONSTRUCTION TOY COMPONENT**

D557,352 S \* 12/2007 Parein ..... D21/484

(75) Inventors: **Joel Glickman**, Jupiter, FL (US);  
**Matthias F. W. Doepner**, Harleysville,  
PA (US)

\* cited by examiner

(73) Assignee: **K'NEX Limited Partnership Group**,  
Hatfield, PA (US)

*Primary Examiner*—Holly H. Baynham  
*Assistant Examiner*—Cynthia M Chin  
(74) *Attorney, Agent, or Firm*—Schweitzer Cornman Gross  
& Bondell LLP

(\*\*) Term: **14 Years**

(57) **CLAIM**

(21) Appl. No.: **29/281,970**

The ornamental design for a construction toy component, as shown and described.

(22) Filed: **Jul. 9, 2007**

**DESCRIPTION**

**Related U.S. Application Data**

(62) Division of application No. 29/267,628, filed on Oct. 18, 2006, now Pat. No. Des. 550,782.

FIG. 1 is a perspective view of the construction toy component;

(51) **LOC (8) Cl.** ..... **21-01**

(52) **U.S. Cl.** ..... **D21/487**

(58) **Field of Classification Search** ..... D21/484–505;  
D25/113–118; 446/69, 85, 101–128  
See application file for complete search history.

FIG. 2 is a first side elevation view of the construction toy component of FIG. 1;

FIG. 3 is a second side elevation view of the construction toy component of FIG. 1;

FIG. 4 is a top plan view of the construction toy component of FIG. 1;

FIG. 5 is a bottom plan view of the construction toy component of FIG. 1; and,

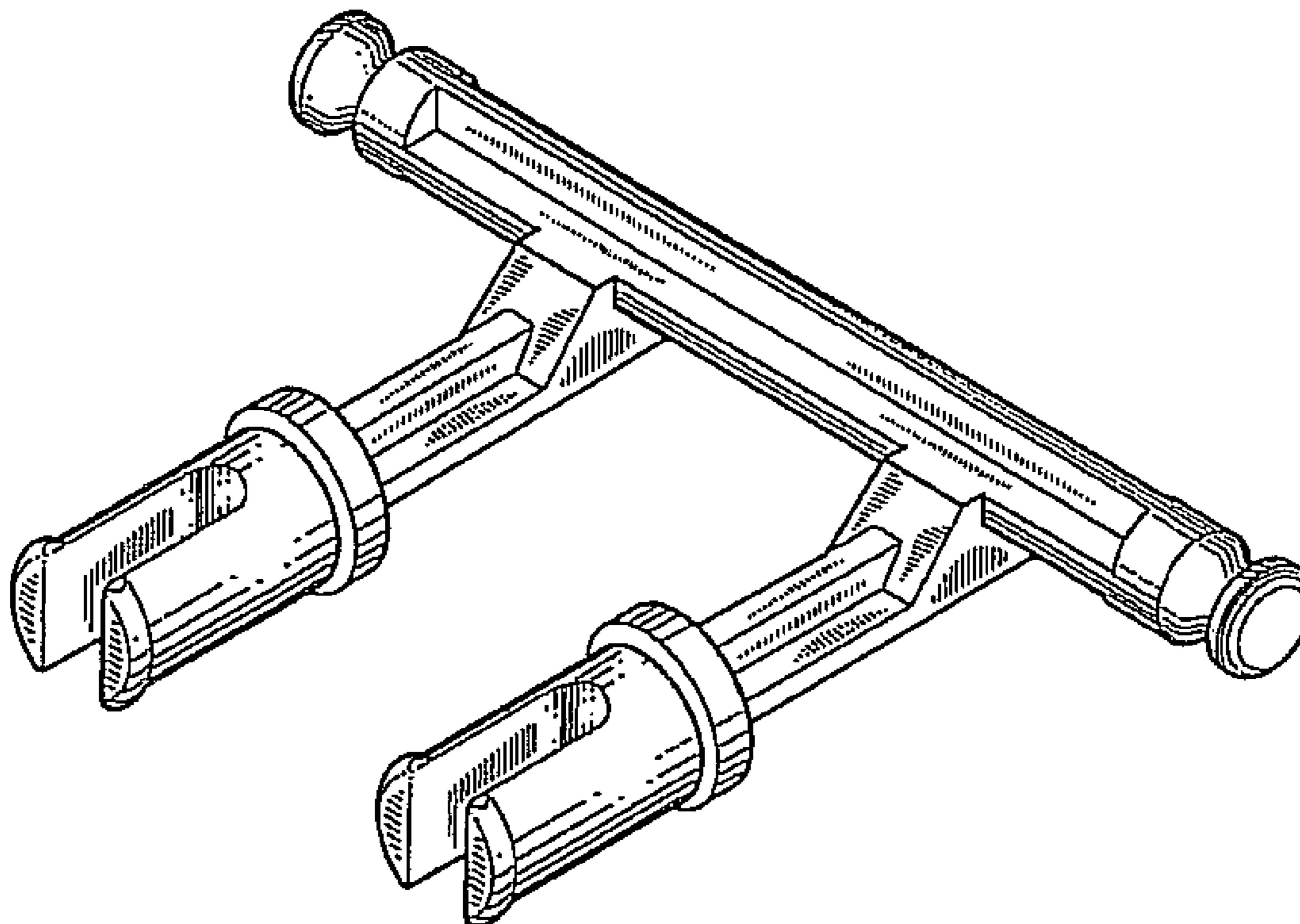
FIG. 6 is an end elevation view of the construction toy component, the other end being a mirror image.

(56) **References Cited**

**U.S. PATENT DOCUMENTS**

2,683,329 A \* 7/1954 Kobler ..... 446/122  
D208,789 S \* 10/1967 Kuhn ..... D21/503  
3,469,339 A \* 9/1969 Thomas ..... 446/122

**1 Claim, 3 Drawing Sheets**



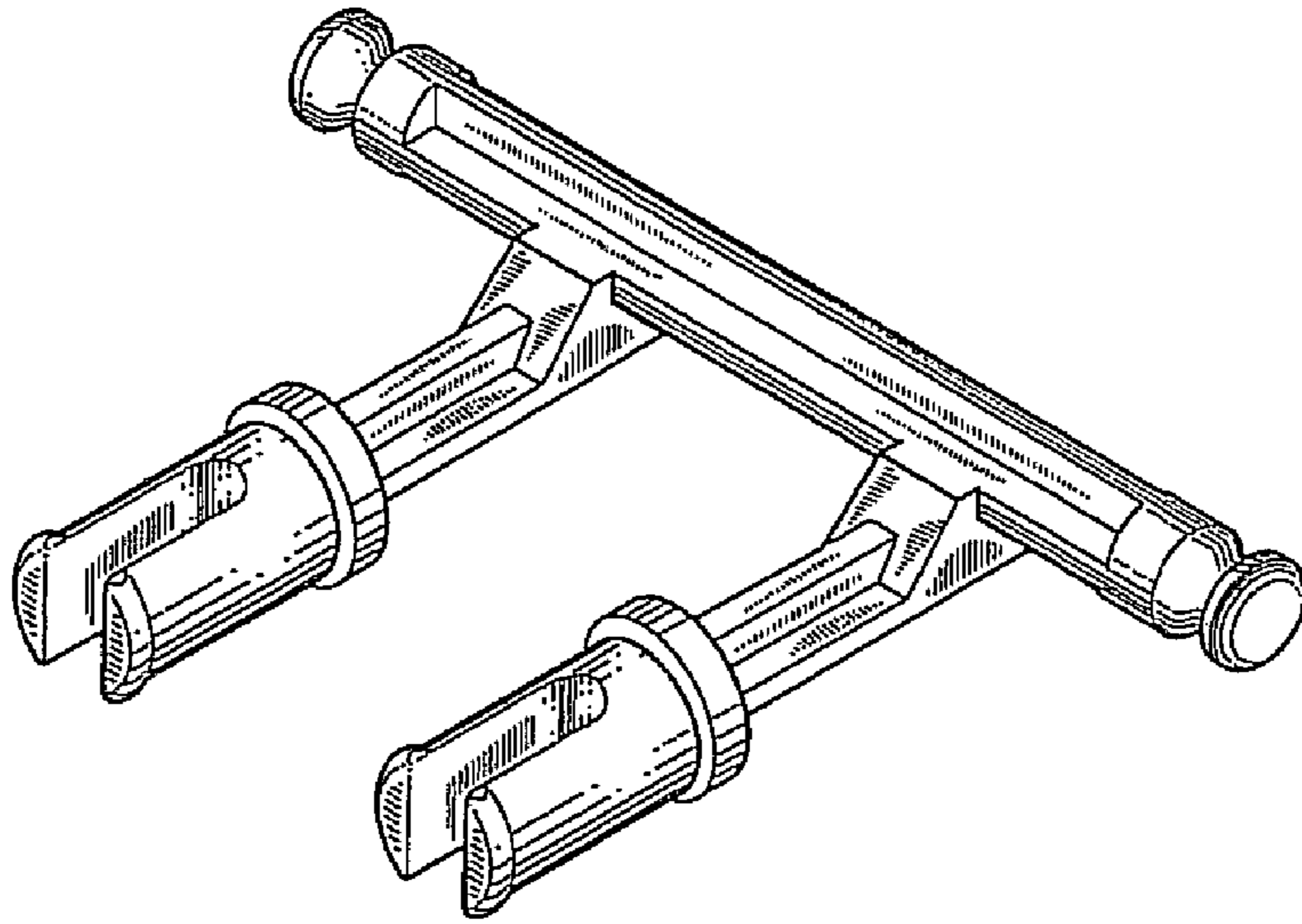


FIG. 1

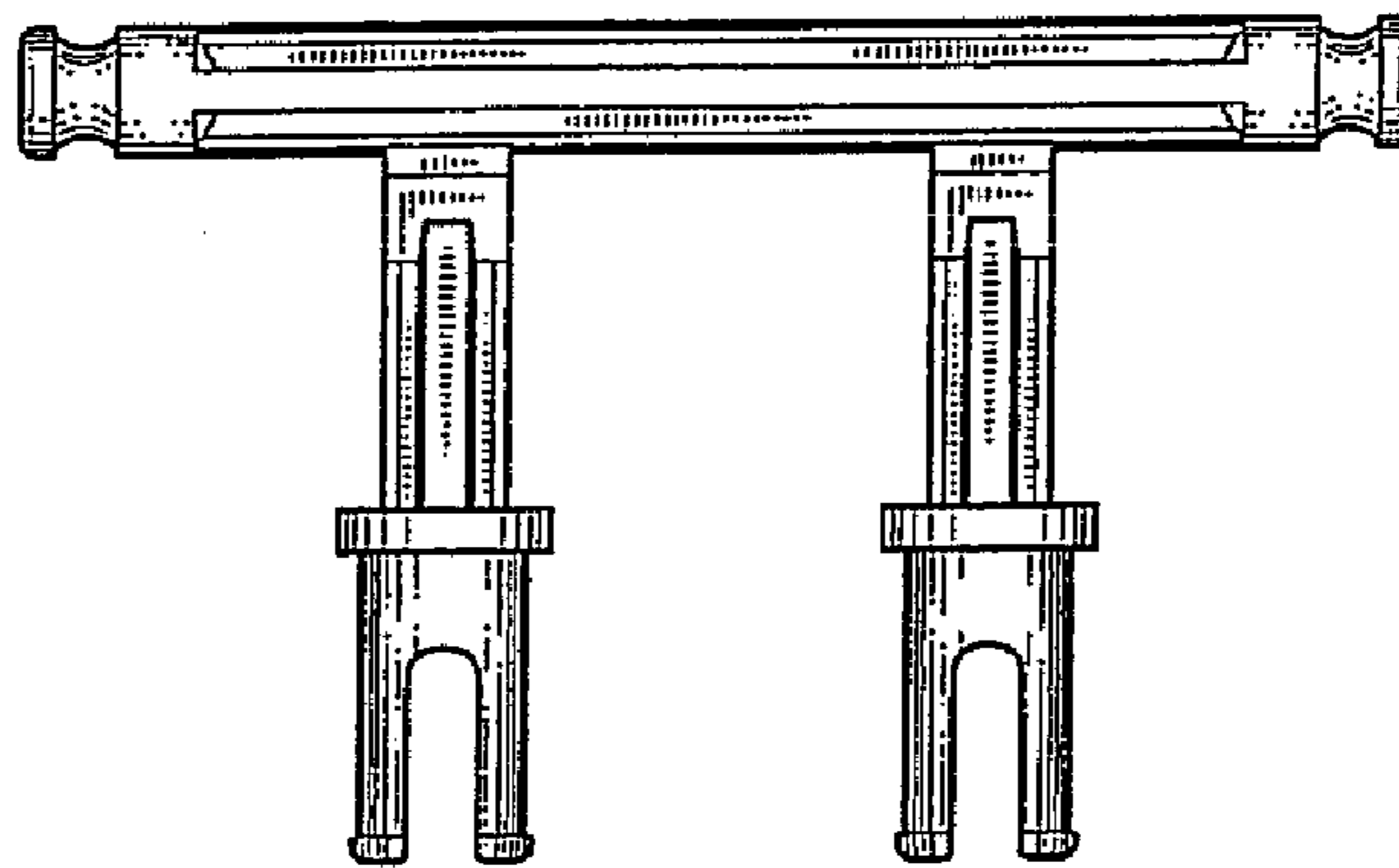


FIG. 2

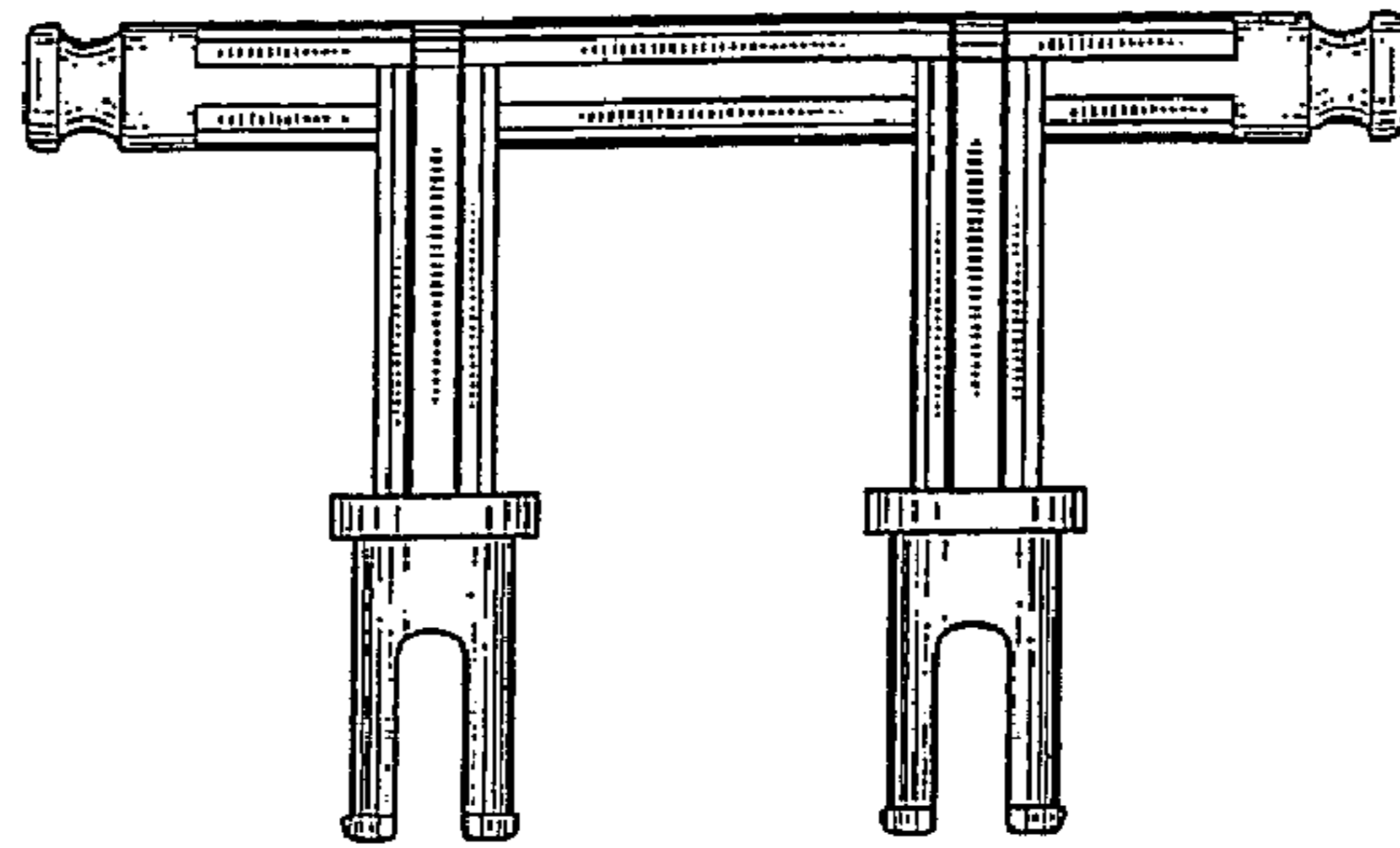


FIG. 3

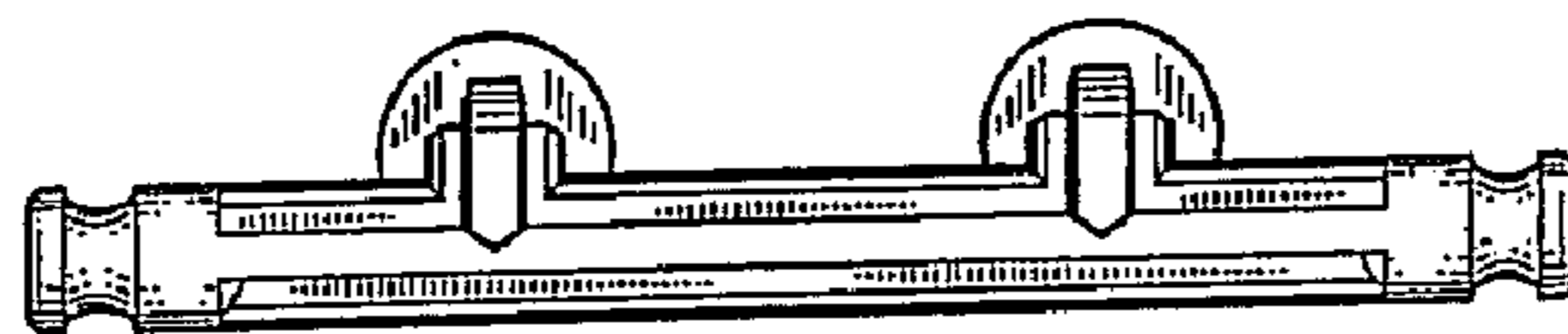


FIG. 4

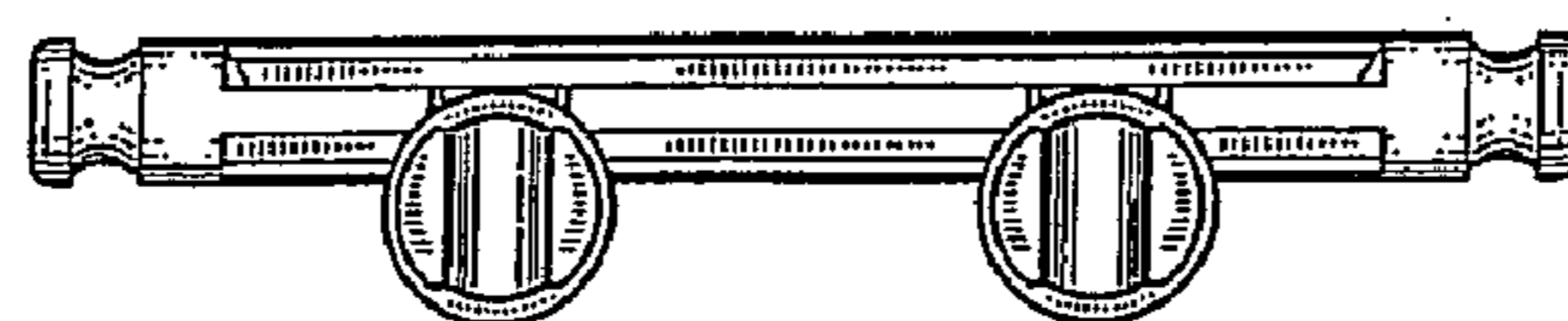


FIG. 5



**FIG. 6**